



US00D407960S

United States Patent [19]

Tyson

[11] Patent Number: **Des. 407,960**

[45] Date of Patent: ****Apr. 13, 1999**

[54] **HAMMER HANDLE**

[76] Inventor: **Jake Tyson**, 19 Bronhill Ave., East Ryde, Australia

[**] Term: **14 Years**

[21] Appl. No.: **29/070,033**

[22] Filed: **Apr. 25, 1997**

[30] Foreign Application Priority Data

Jan. 27, 1997 [AU] Australia 199/97

[51] LOC (6) Cl. **08-02**

[52] U.S. Cl. **D8/80**

[58] Field of Search D8/75, 76, 77, D8/78, 79, 80; 81/20, 21, 22, 23, 24, 25, 26

[56] References Cited

U.S. PATENT DOCUMENTS

- D. 151,876 11/1948 Edwards D8/75
- D. 209,653 12/1967 Vogel D8/75
- D. 267,469 1/1983 Crowder D8/75

- D. 322,021 12/1991 Hsu D8/75
- D. 325,863 5/1992 Chen D8/75
- 4,154,273 5/1979 Pollak 81/20
- 4,363,344 12/1982 Pollak 81/20

Primary Examiner—Philip S. Hyder
Attorney, Agent, or Firm—Merchant, Gould, Smith, Edell, Welter & Schmidt

[57] CLAIM

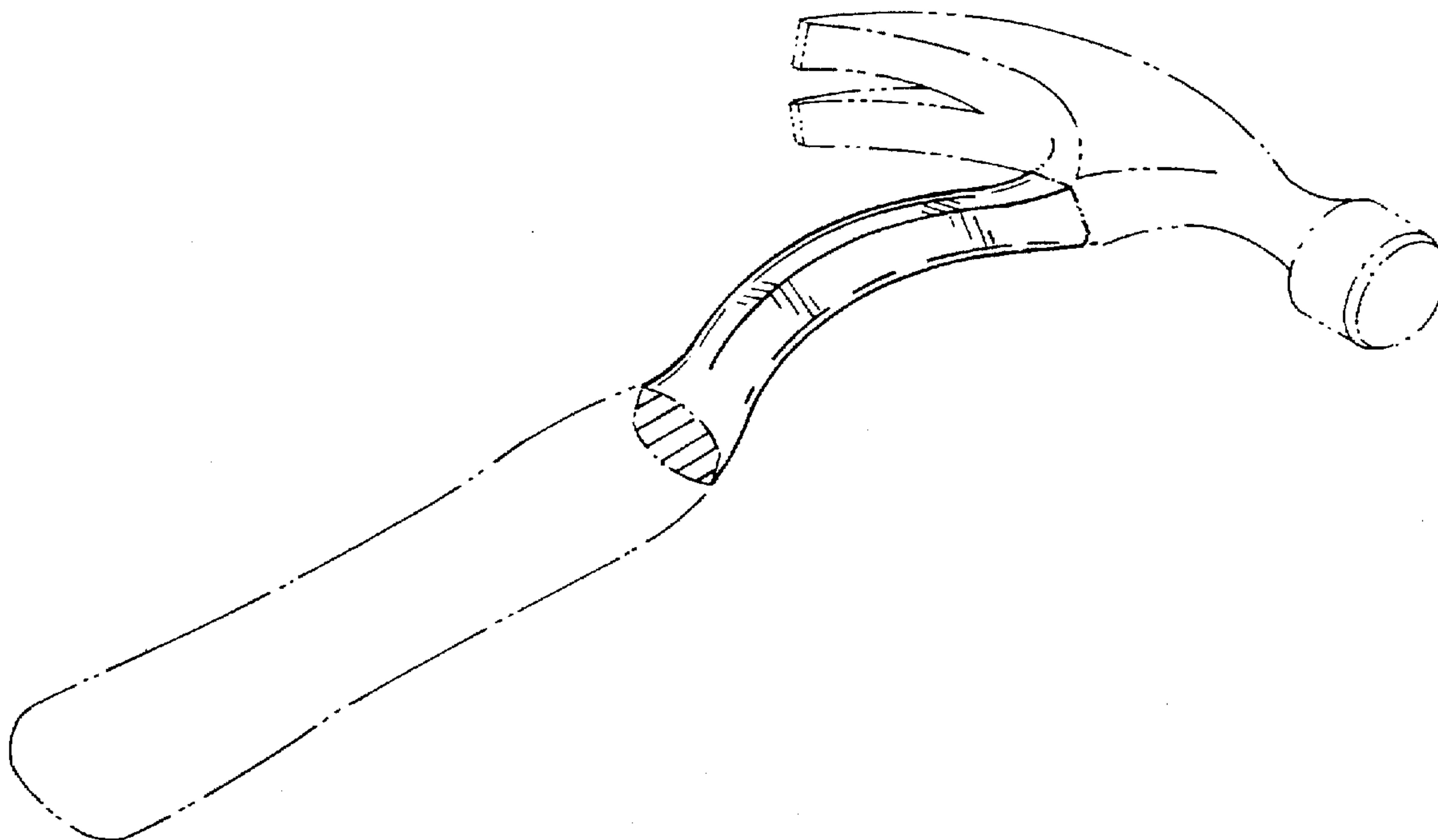
The ornamental design for a hammer handle, as shown and described.

DESCRIPTION

FIG. 1 is a left side elevational view of the hammer handle of my new design;
 FIG. 2 is a front view thereof, the rear view being a mirror image thereof;
 FIG. 3 is a right side elevational view;
 FIG. 4 is a top view;
 FIG. 5 is a bottom view; and,
 FIG. 6 is a perspective view.

The broken line portions of the drawings are for illustrative purposes only and form no part of the claimed design.

1 Claim, 2 Drawing Sheets



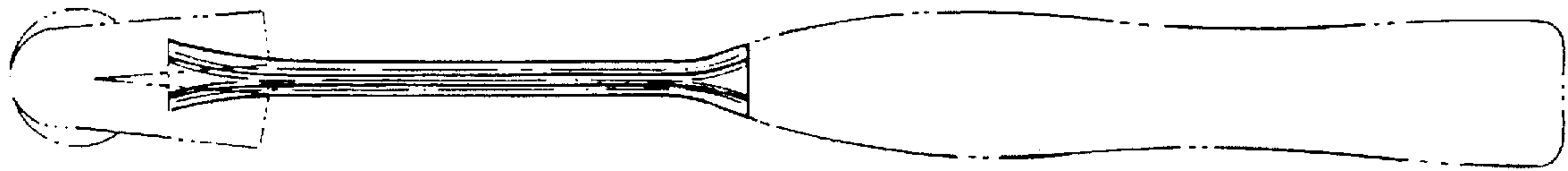


FIG. 1

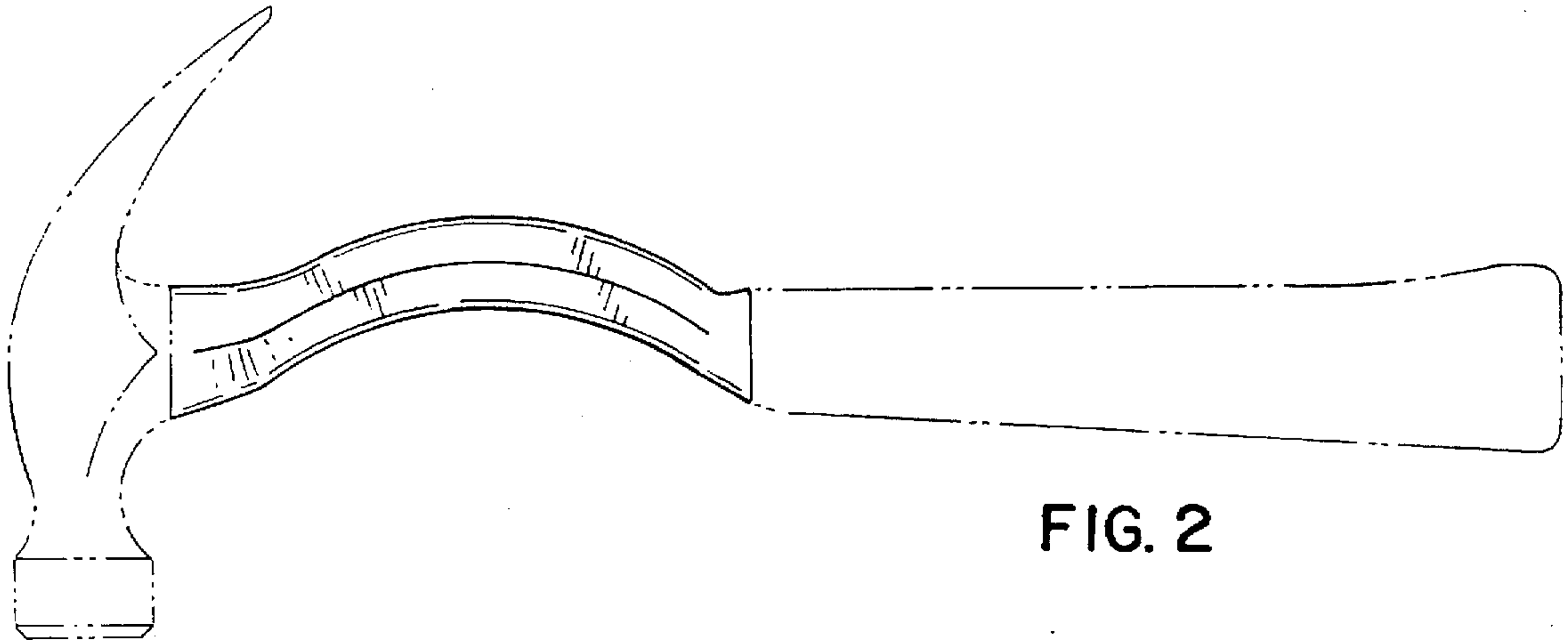


FIG. 2

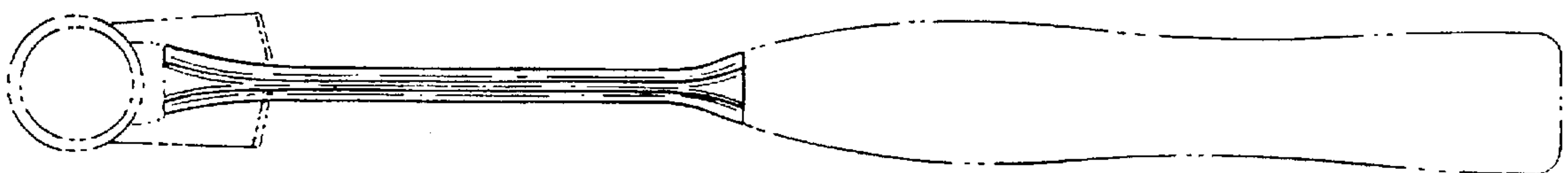


FIG. 3

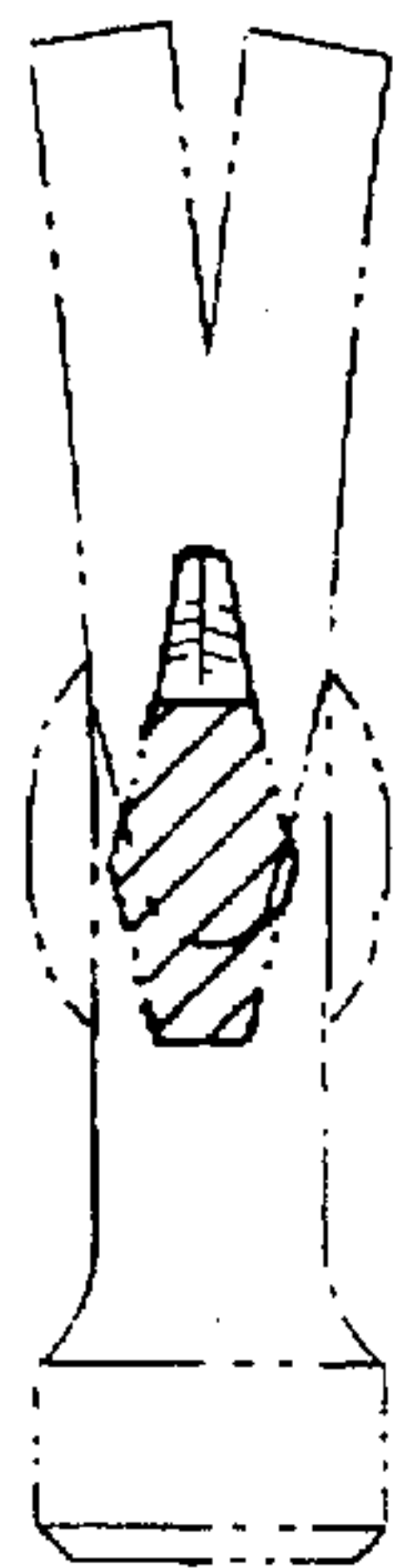


FIG. 4

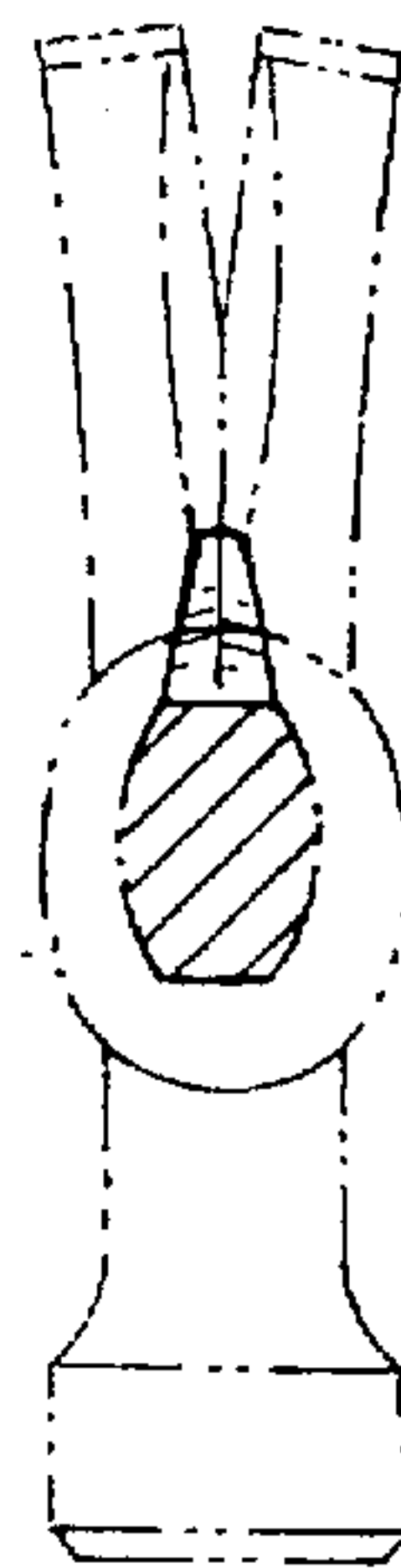


FIG. 5

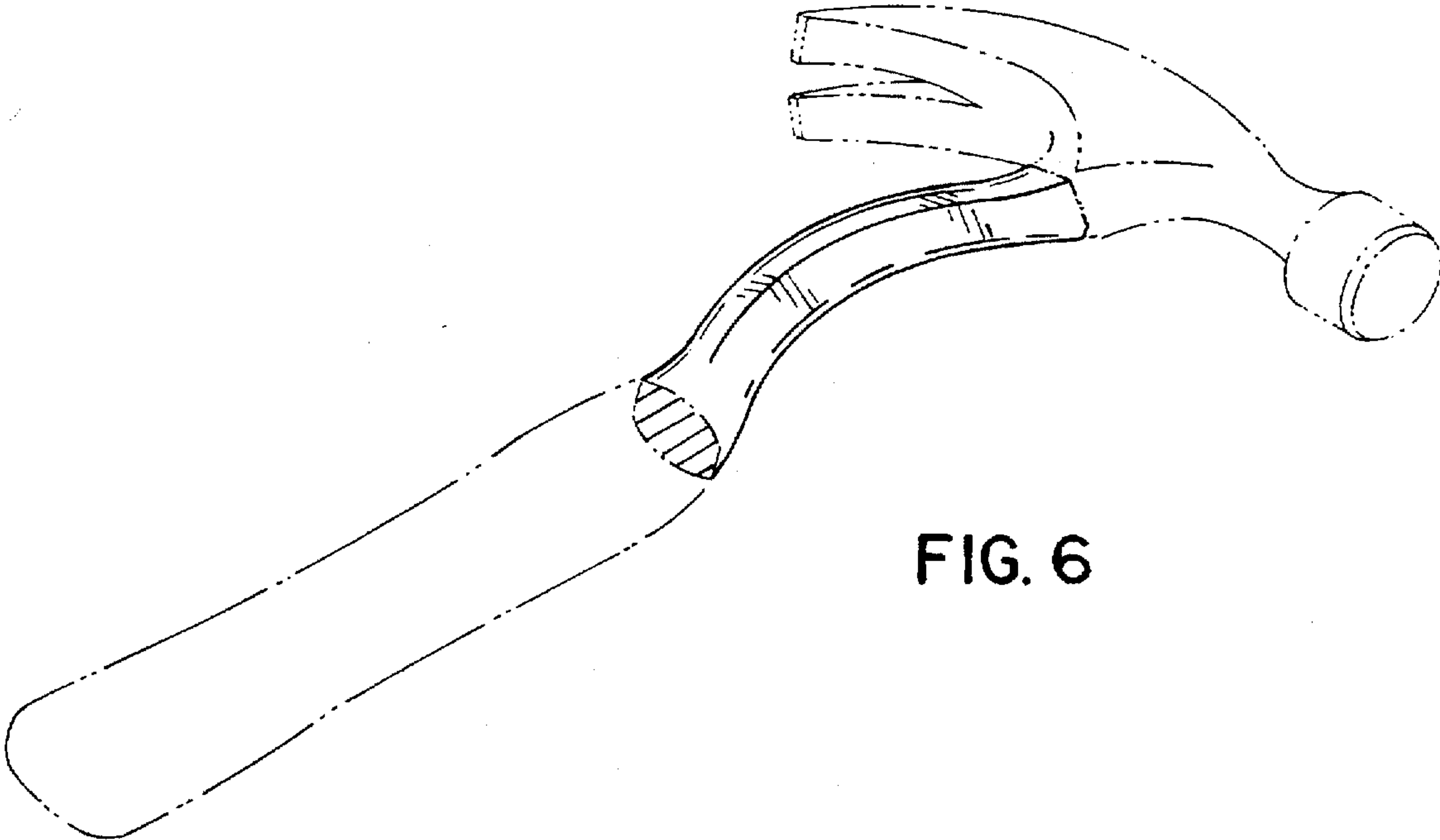


FIG. 6