



US00D407955S

United States Patent [19]
Bierman

[11] **Patent Number: Des. 407,955**

[45] **Date of Patent: **Apr. 13, 1999**

[54] **ROOT CUTTING SHOVEL**

5,529,130 6/1996 Suk 172/380
5,533,578 7/1996 Powell 172/378

[76] **Inventor: Henrietta Bierman, 8503 Philadelphia Rd., Baltimore, Md. 21237**

Primary Examiner—Alan P. Douglas
Assistant Examiner—Lavone D. Tabor

[**] **Term: 14 Years**

[57] **CLAIM**

[21] **Appl. No.: 29/069,089**

The ornamental design for root cutting shovel, as shown and described.

[22] **Filed: Apr. 9, 1997**

DESCRIPTION

[51] **LOC (6) Cl. 08-01**

[52] **U.S. Cl. D8/10**

[58] **Field of Search** D8/1, 7, 9-11;
D32/40, 46, 49; 15/236.01, 236.07; 30/169,
171; 294/49, 54.5, 55, 57; 172/371, 372,
378-381

FIG. 1 is a front elevational view of the root cutting shovel showing my new design;
FIG. 2 is a reduced rear elevational view thereof;
FIG. 3 is an enlarged right view thereof;
FIG. 4 is an enlarged left view thereof;
FIG. 5 is an enlarged top plan view thereof; and,
FIG. 6 is an enlarged bottom plan view thereof.
The handle is shown broken away to indicate indeterminate length.

[56] **References Cited**

U.S. PATENT DOCUMENTS

298,926 5/1884 Watson 172/381
4,135,751 1/1979 Gederos 294/49
5,392,484 2/1995 Stolfus 15/236.07 X

1 Claim, 3 Drawing Sheets

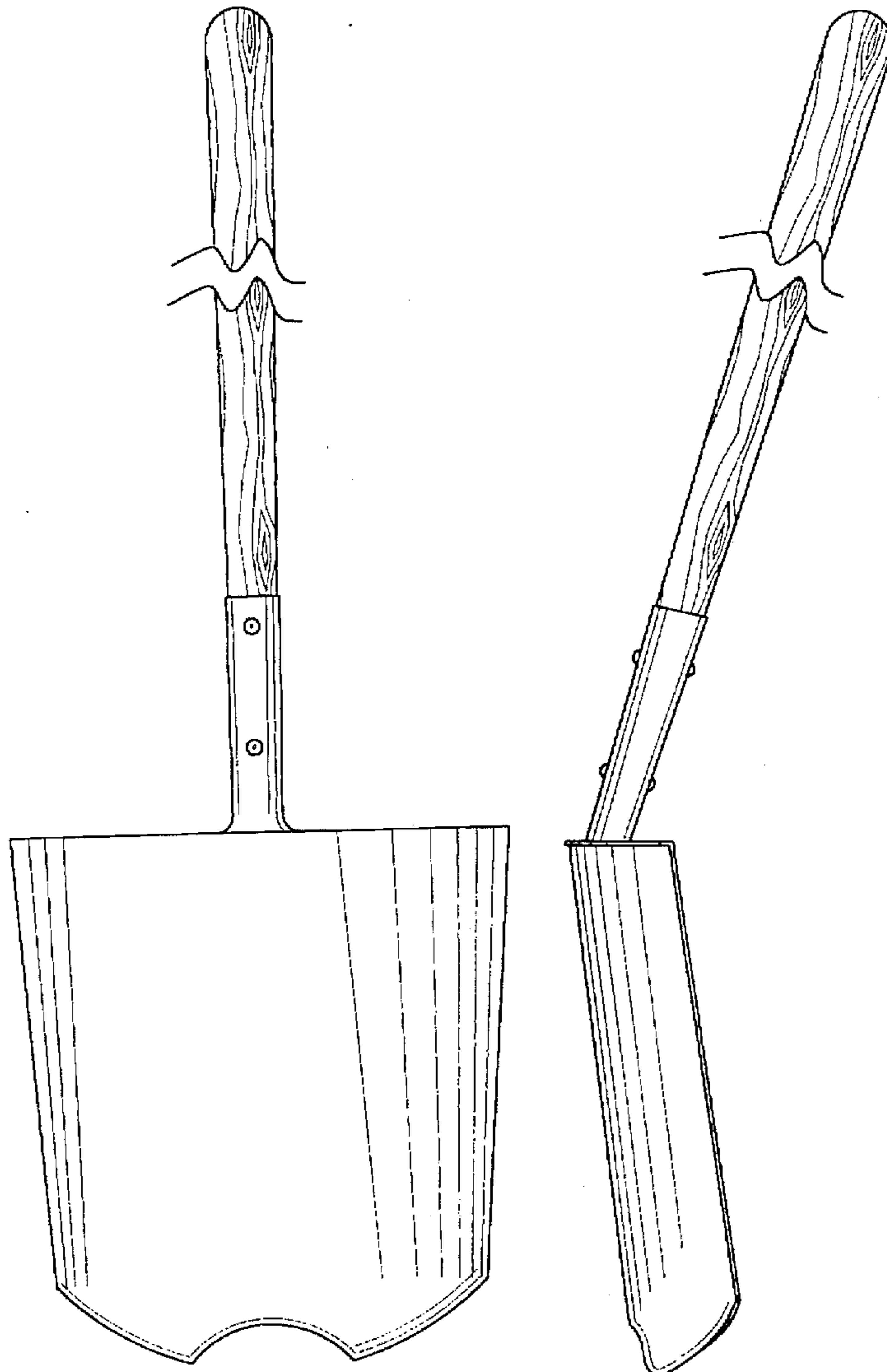


FIG. 1

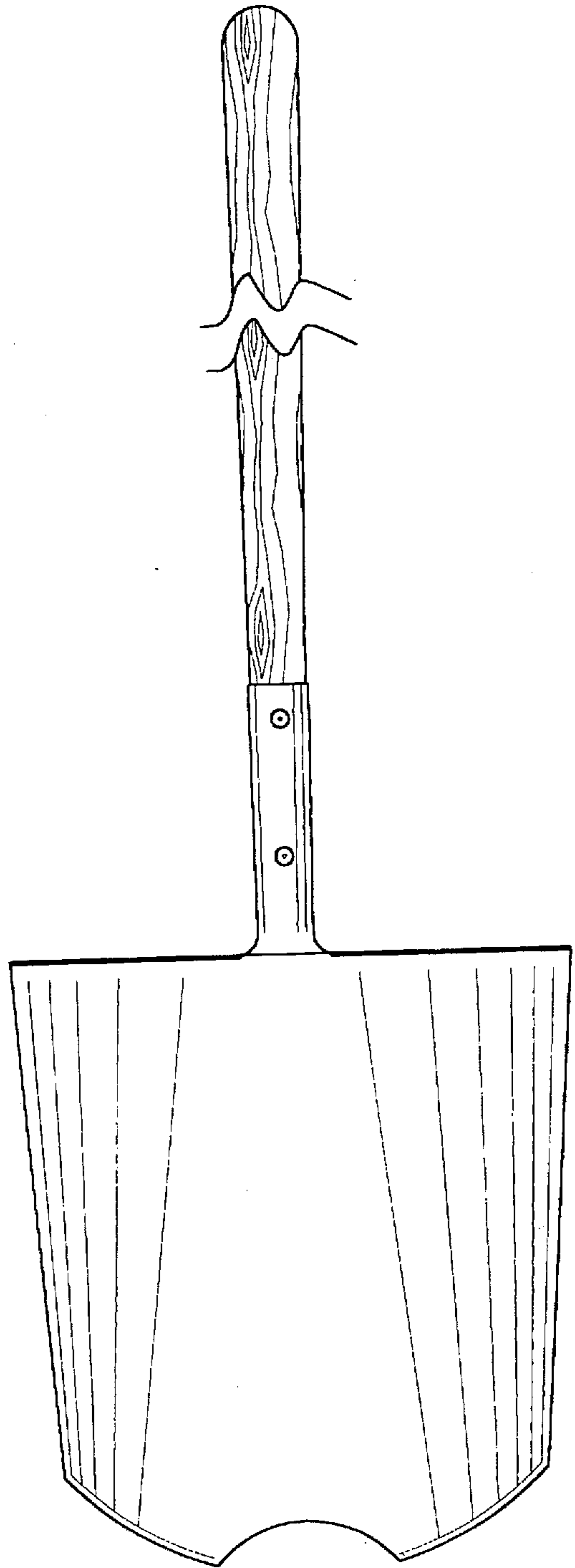
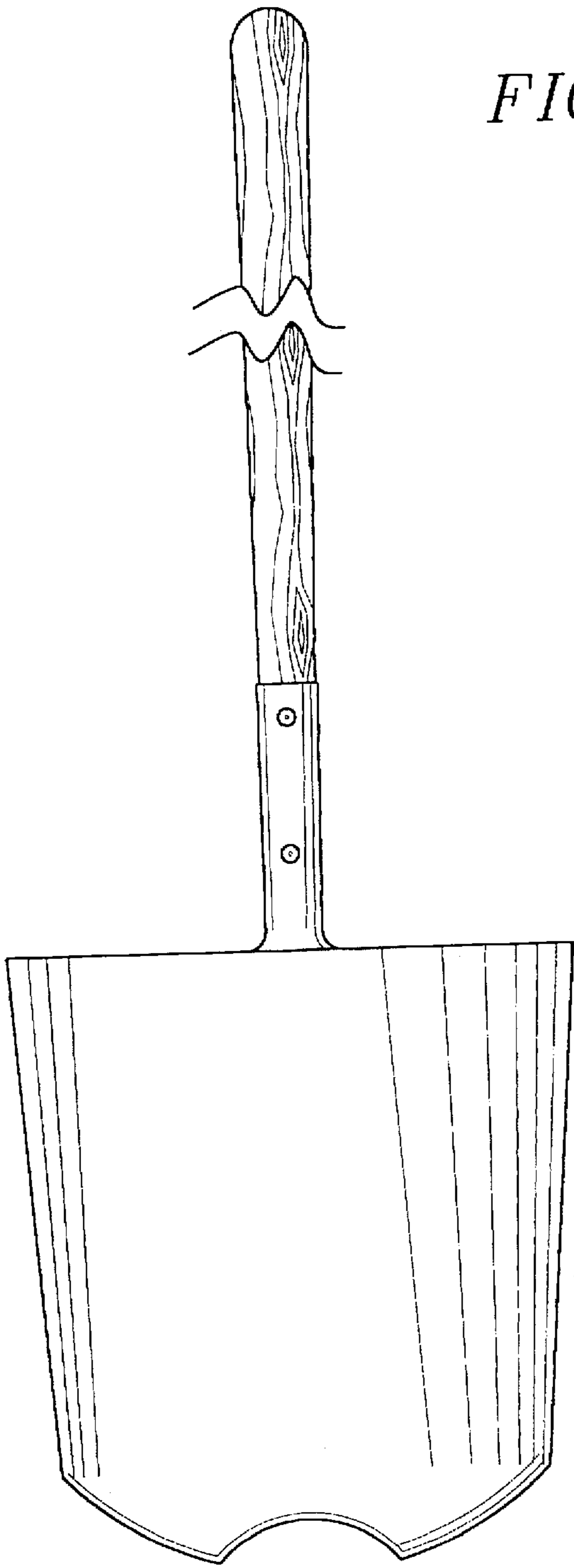


FIG. 2

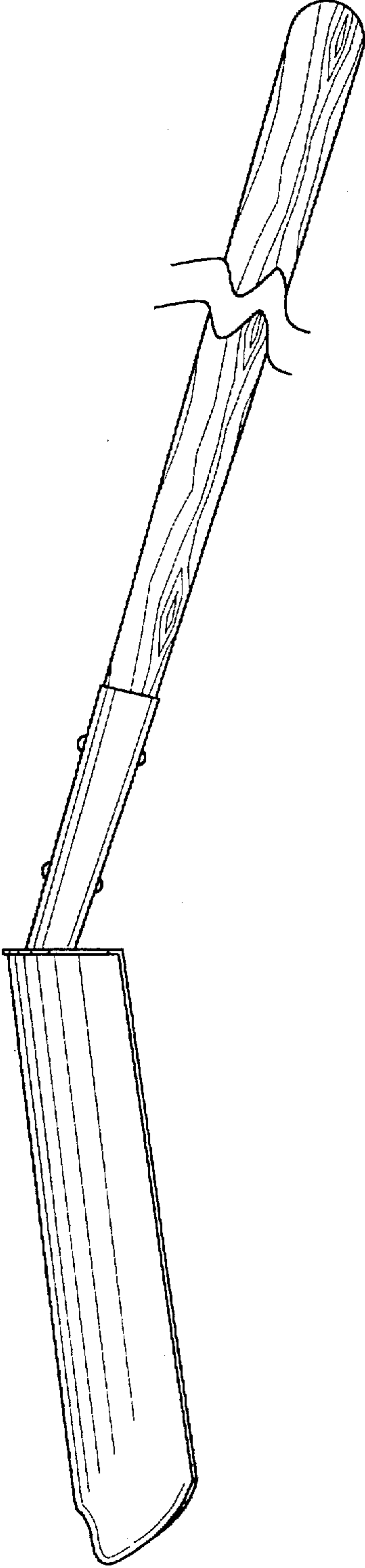


FIG. 3

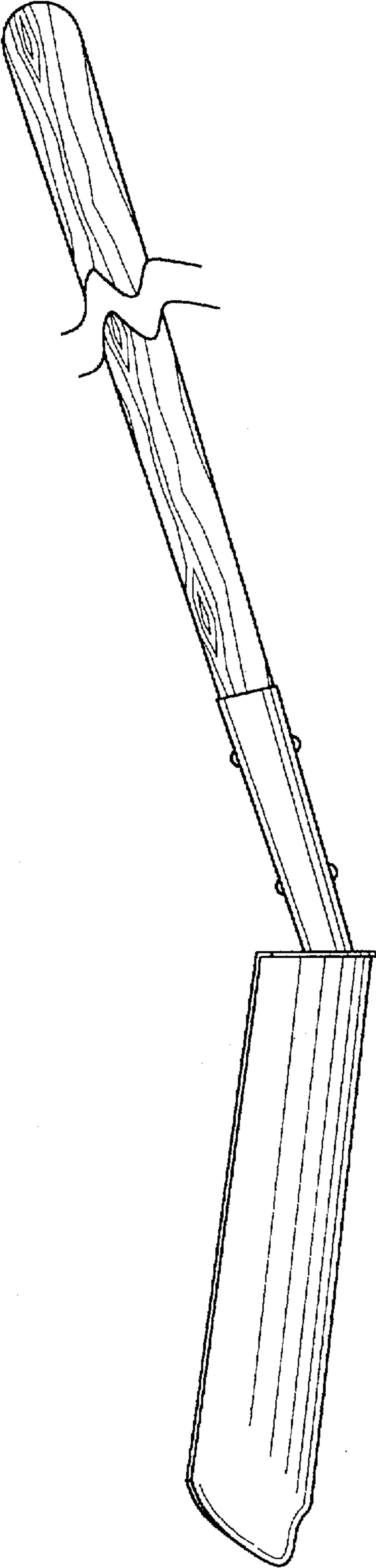


FIG. 4

FIG. 5

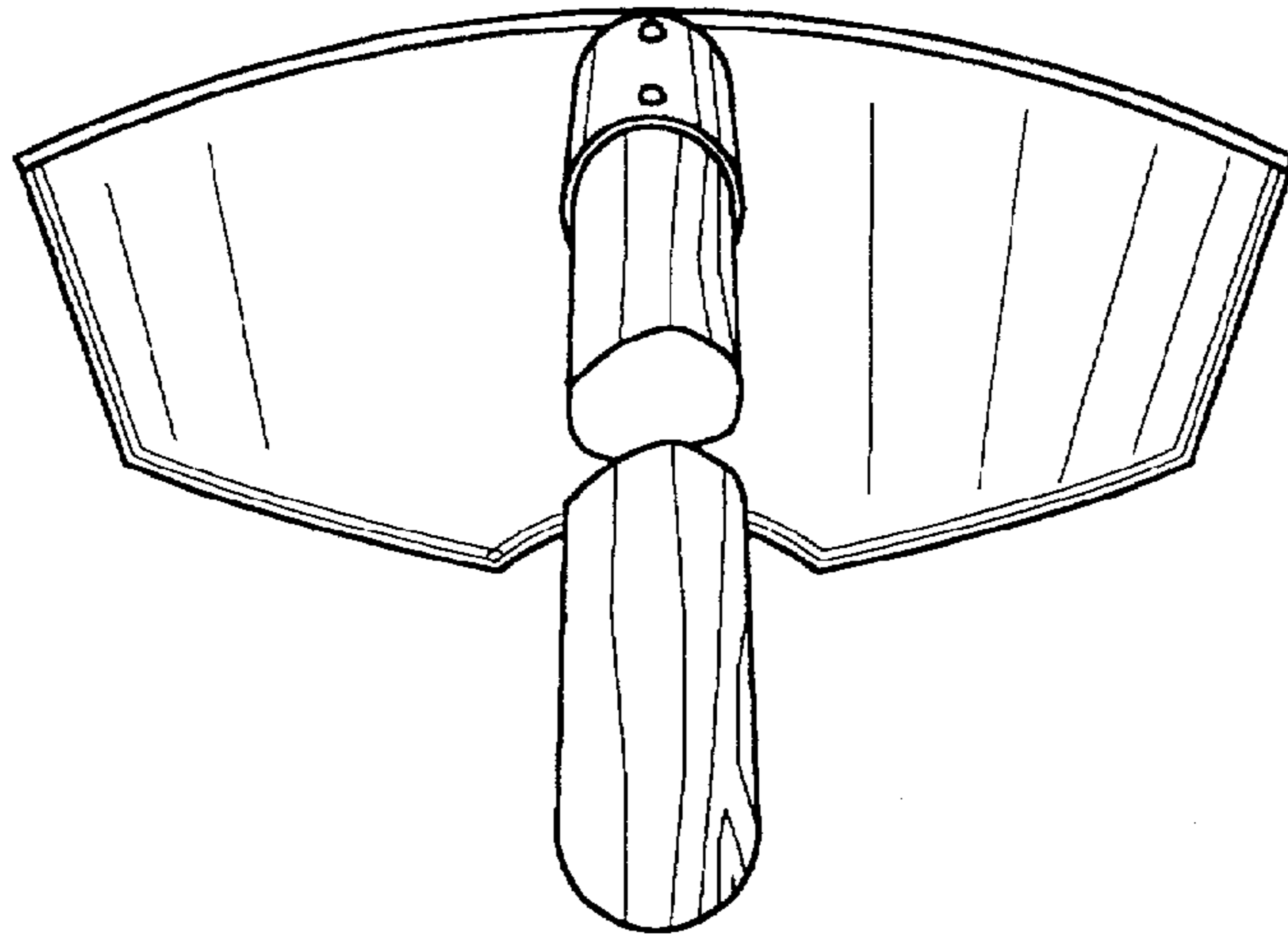
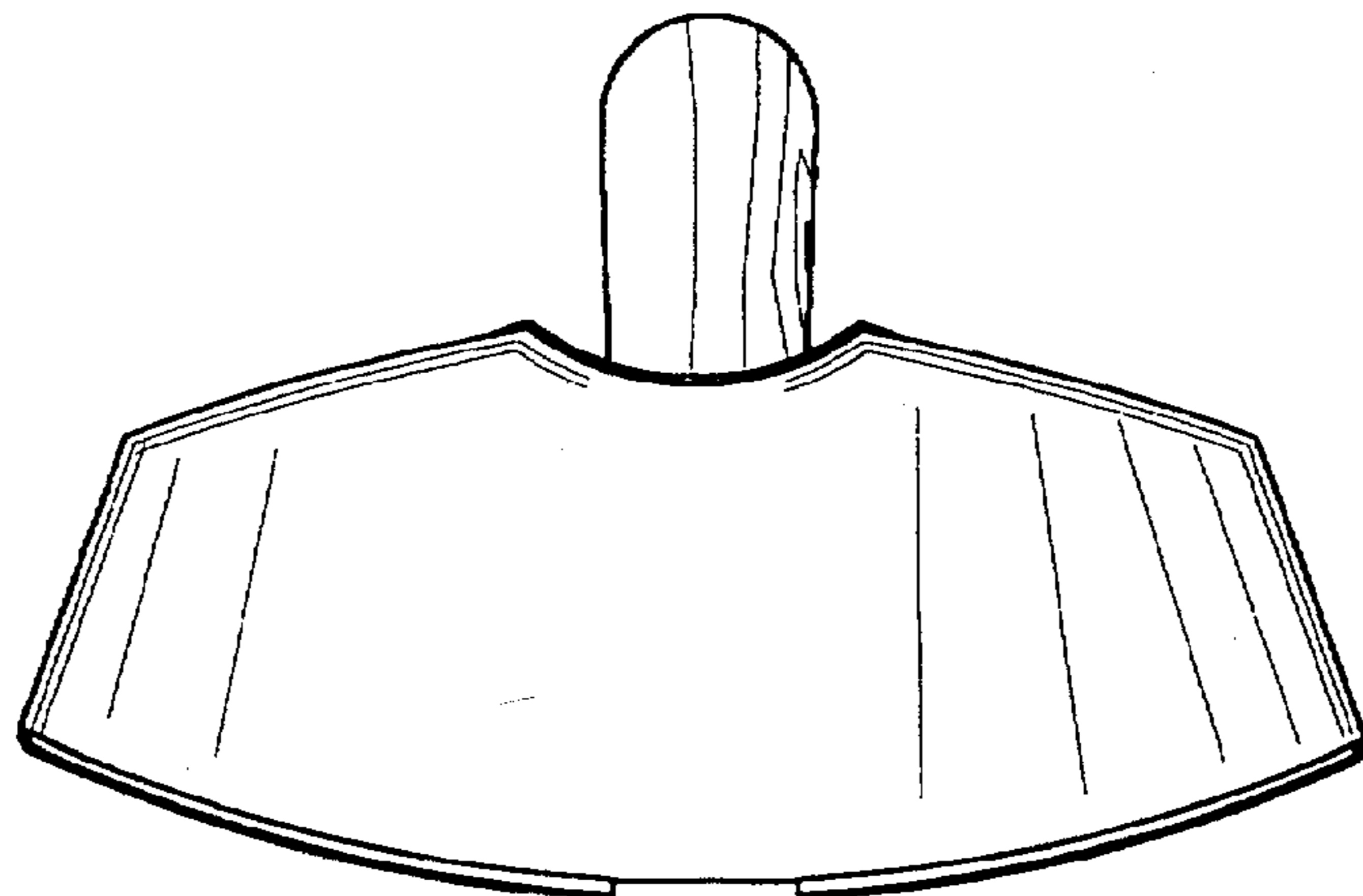


FIG. 6



UNITED STATES PATENT AND TRADEMARK OFFICE
CERTIFICATE OF CORRECTION

PATENT NO. : Des. 407,955
DATED : April 13, 1999
INVENTOR(S) : Henrietta Bohlen

Page 1 of 1

It is certified that error appears in the above-identified patent and that said Letters Patent is hereby corrected as shown below:

Items [19] and [76], please delete "Bierman" and insert therefor -- Bohlen --.

Signed and Sealed this

Twenty-eighth Day of August, 2001

Attest:

Nicholas P. Godici

Attesting Officer

NICHOLAS P. GODICI
Acting Director of the United States Patent and Trademark Office