



US00D407953S

United States Patent [19]
Yang

[11] **Patent Number: Des. 407,953**

[45] **Date of Patent: **Apr. 13, 1999**

[54] **TABLEWARE CONTAINER**

[76] **Inventor: Heng-Te Yang, No. 12, Shin Jen Rd.,
An Ping Industrial Dist., Tainan, Taiwan**

[**] **Term: 14 Years**

[21] **Appl. No.: 29/088,300**

[22] **Filed: May 20, 1998**

[51] **LOC (6) Cl. 06-04**

[52] **U.S. Cl. D7/641**

[58] **Field of Search D7/637-641; 211/60.1,
211/70.6, 70.7; 248/37.3, 37.6**

[56] **References Cited**

U.S. PATENT DOCUMENTS

- D. 248,007 5/1978 Mackey D7/638
- D. 326,394 5/1992 Rymoen D7/641

Primary Examiner—Terry A. Wallace
Attorney, Agent, or Firm—Rosenberg, Klein & Bilker

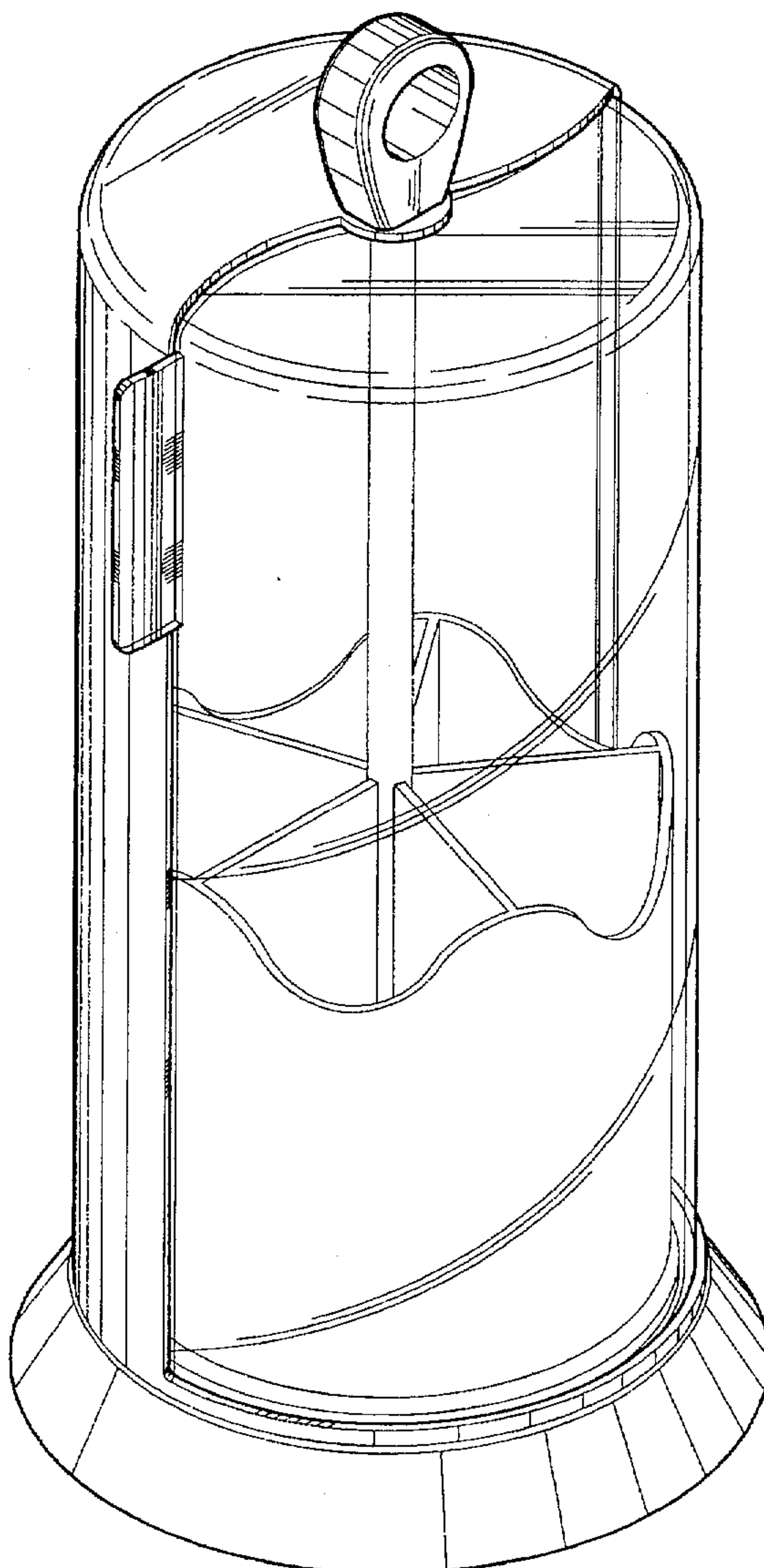
[57] **CLAIM**

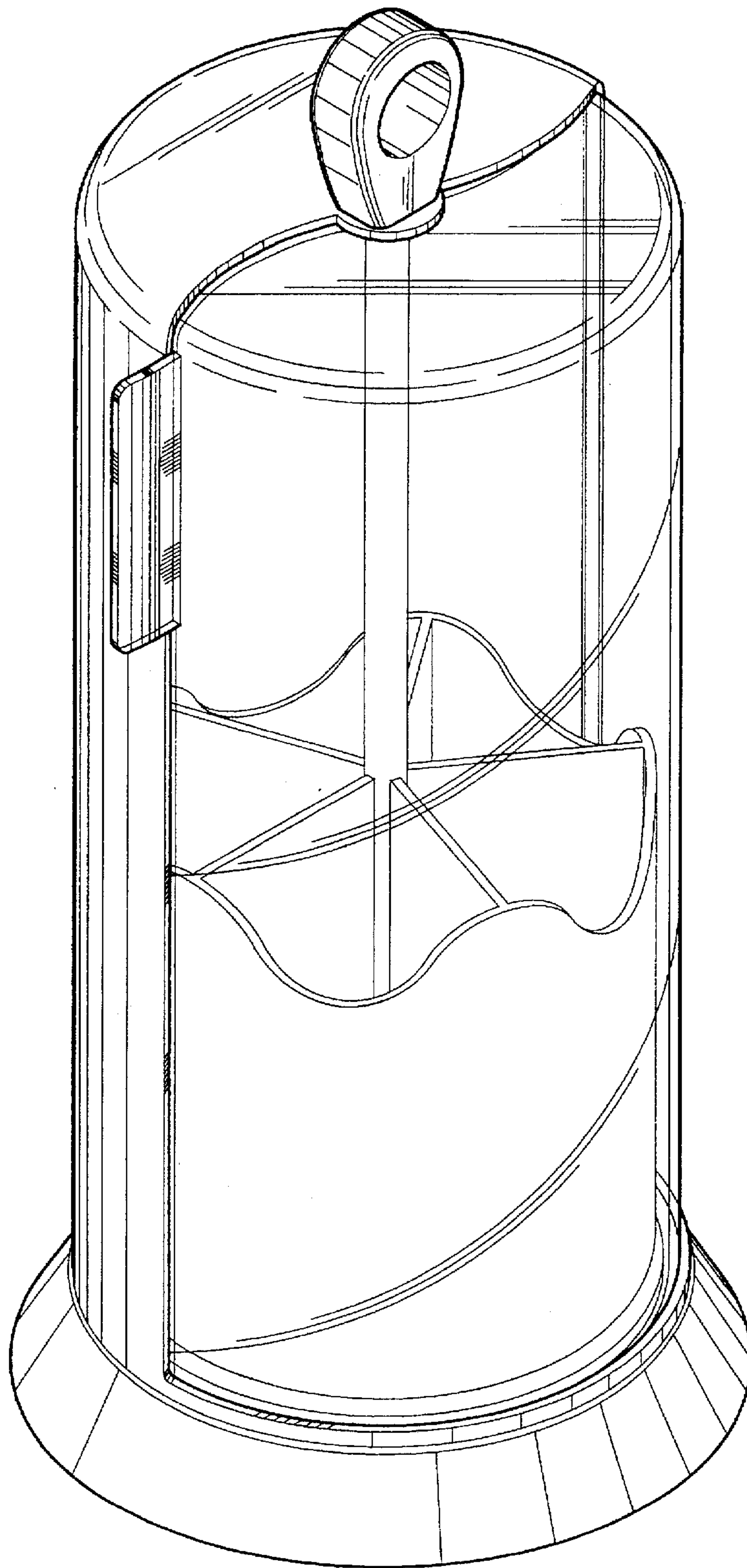
The ornamental design for a tableware container, as shown and described.

DESCRIPTION

FIG. 1 is a perspective view of a tableware container showing my present design;
 FIG. 2 is a front view thereof;
 FIG. 3 is a rear view thereof;
 FIG. 4 is a left view thereof;
 FIG. 5 is a right view thereof;
 FIG. 6 is a top plan view thereof; and,
 FIG. 7 is a bottom plan view.

1 Claim, 6 Drawing Sheets





F I G . 1

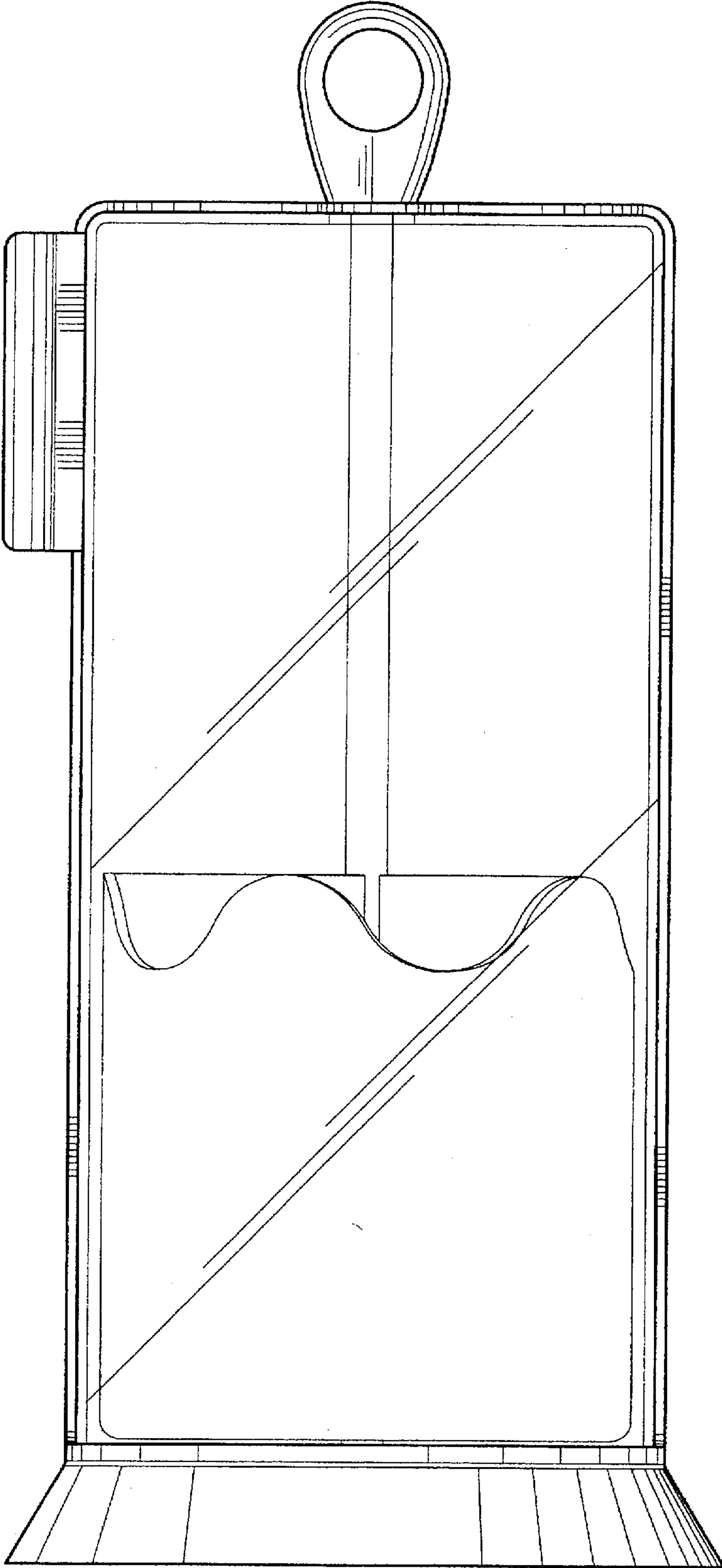
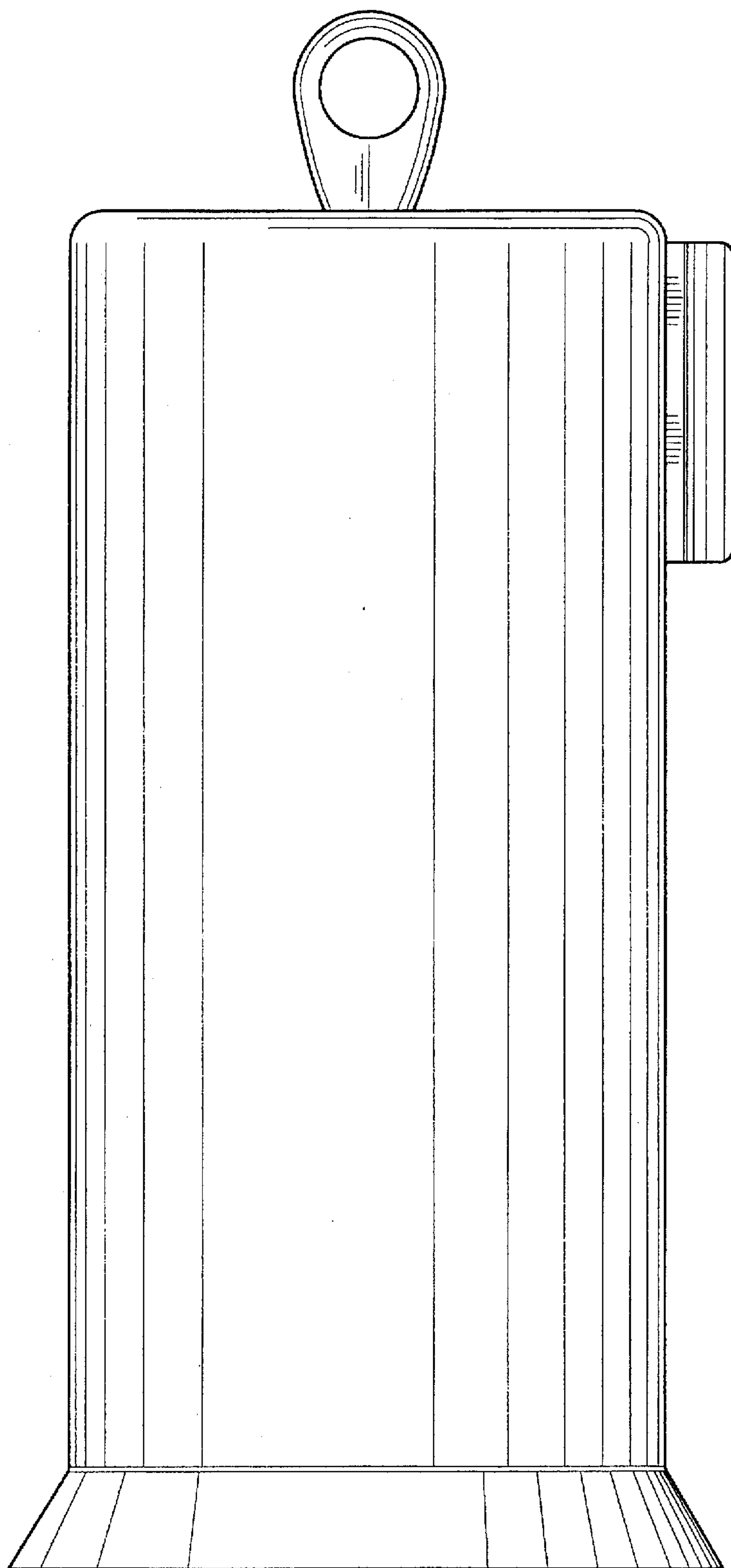


FIG. 2



F I G . 3

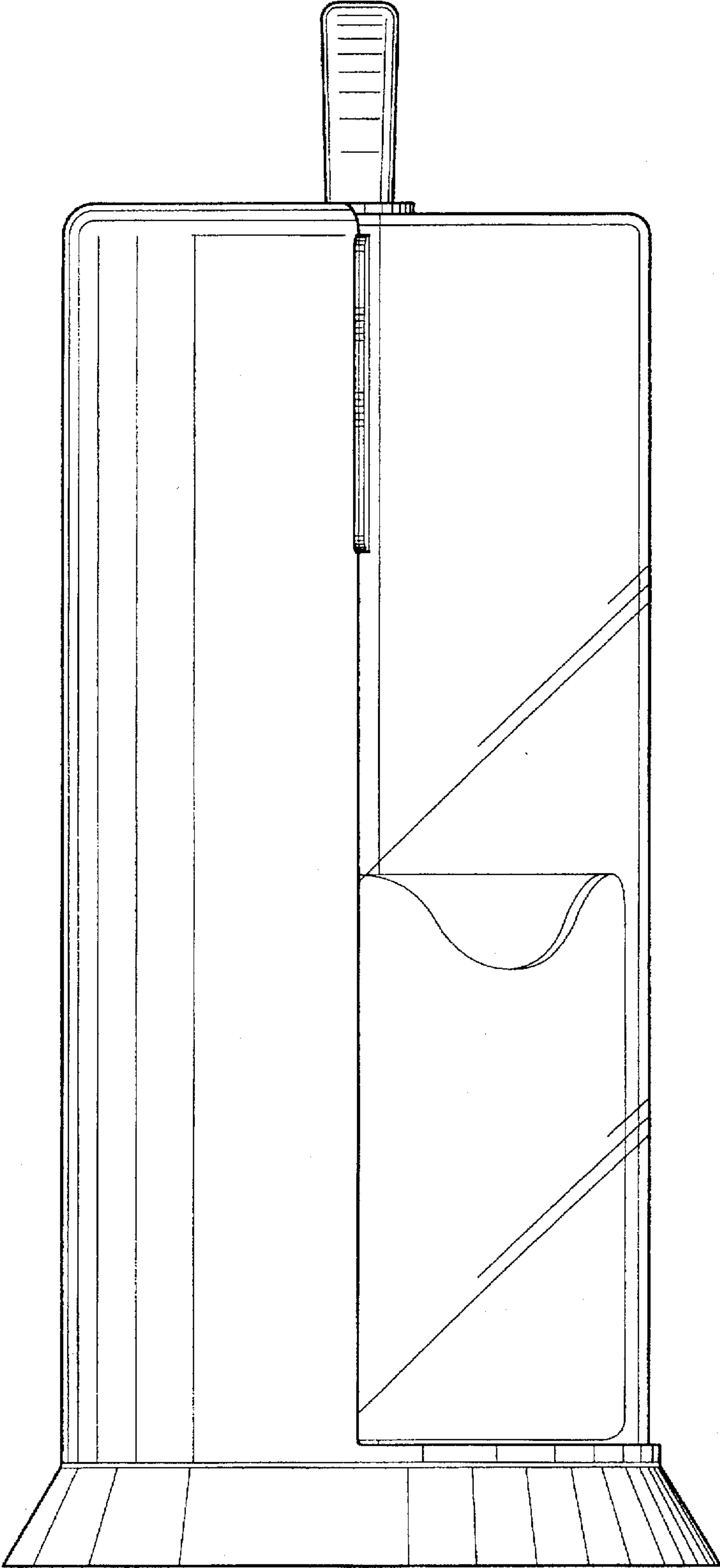
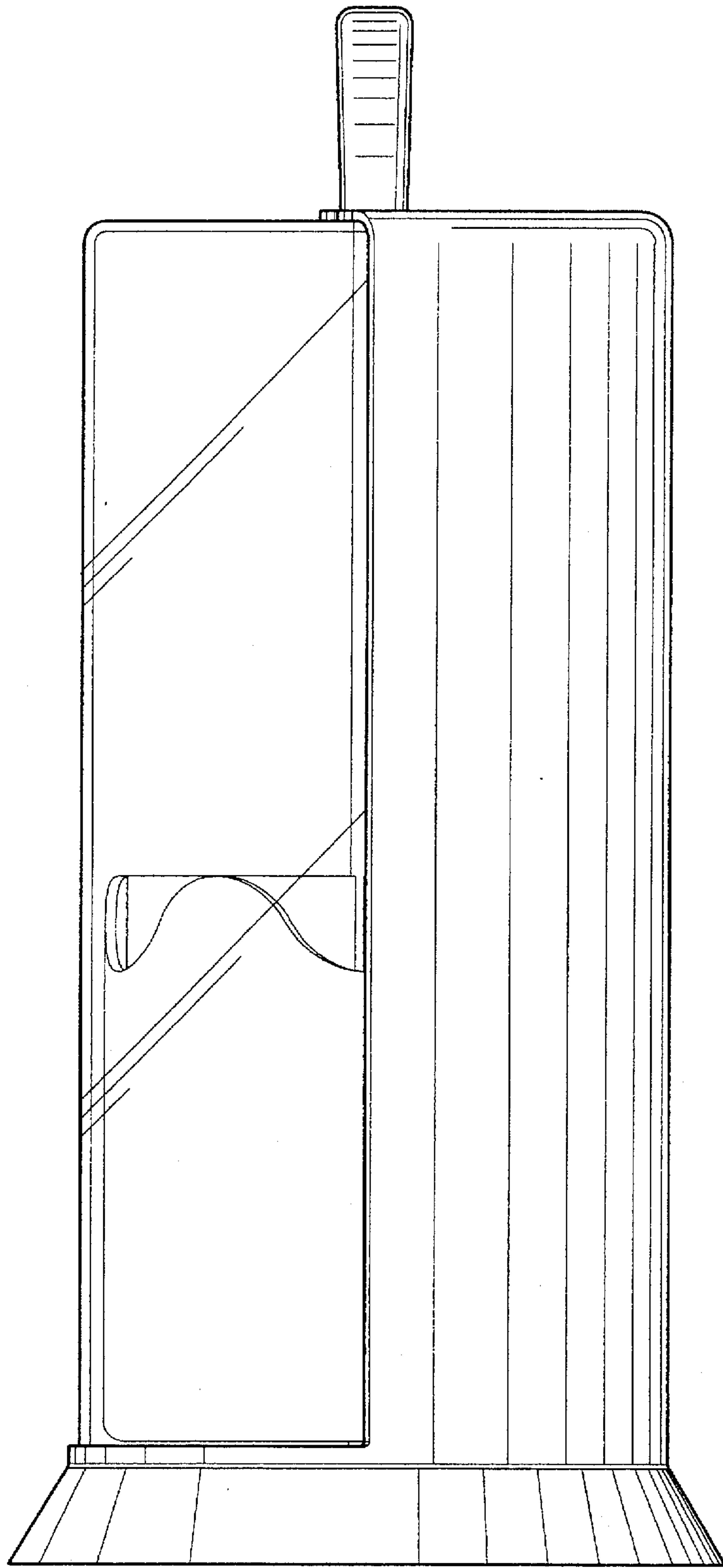


FIG. 4



F I G . 5

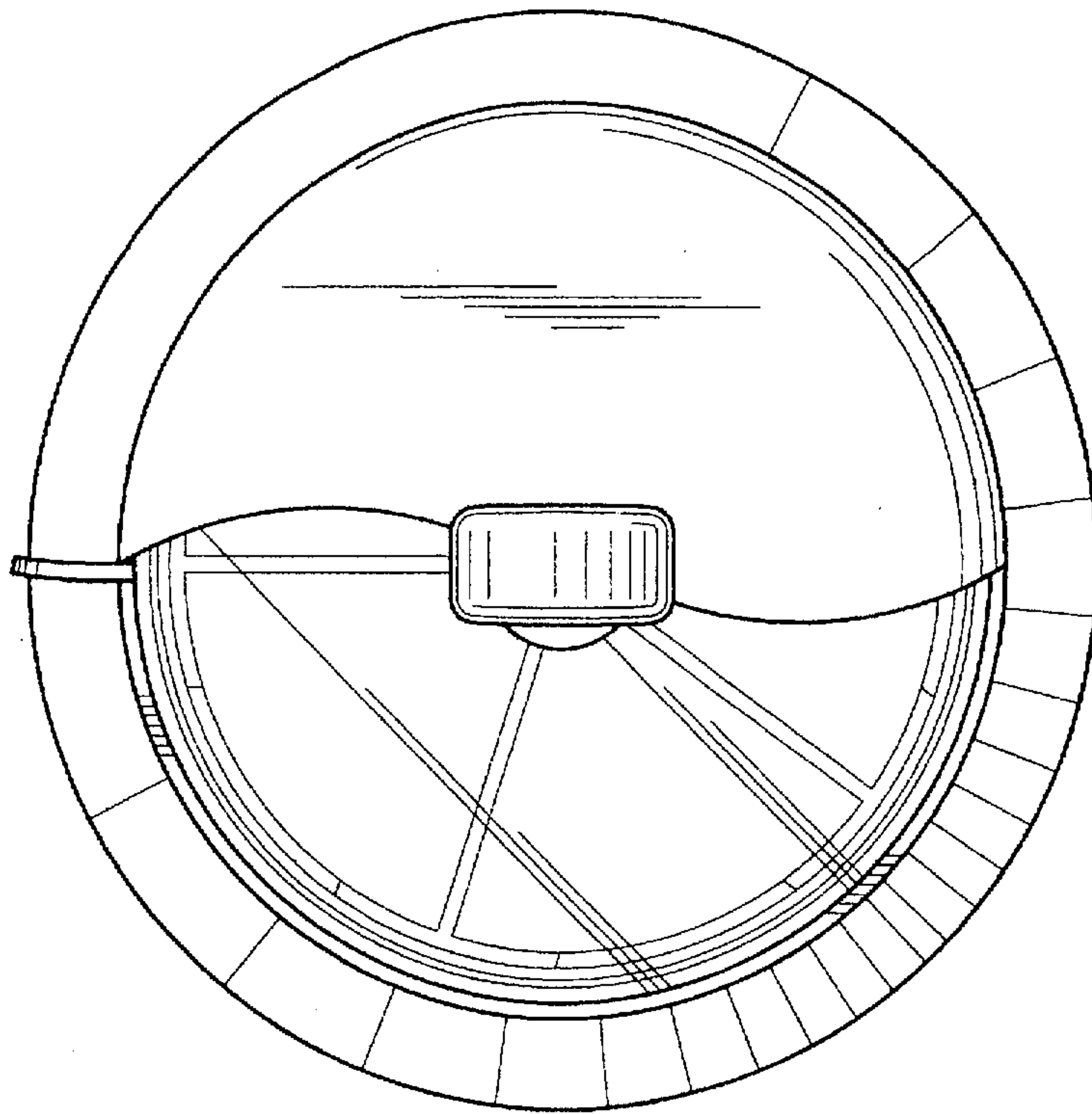


FIG. 6

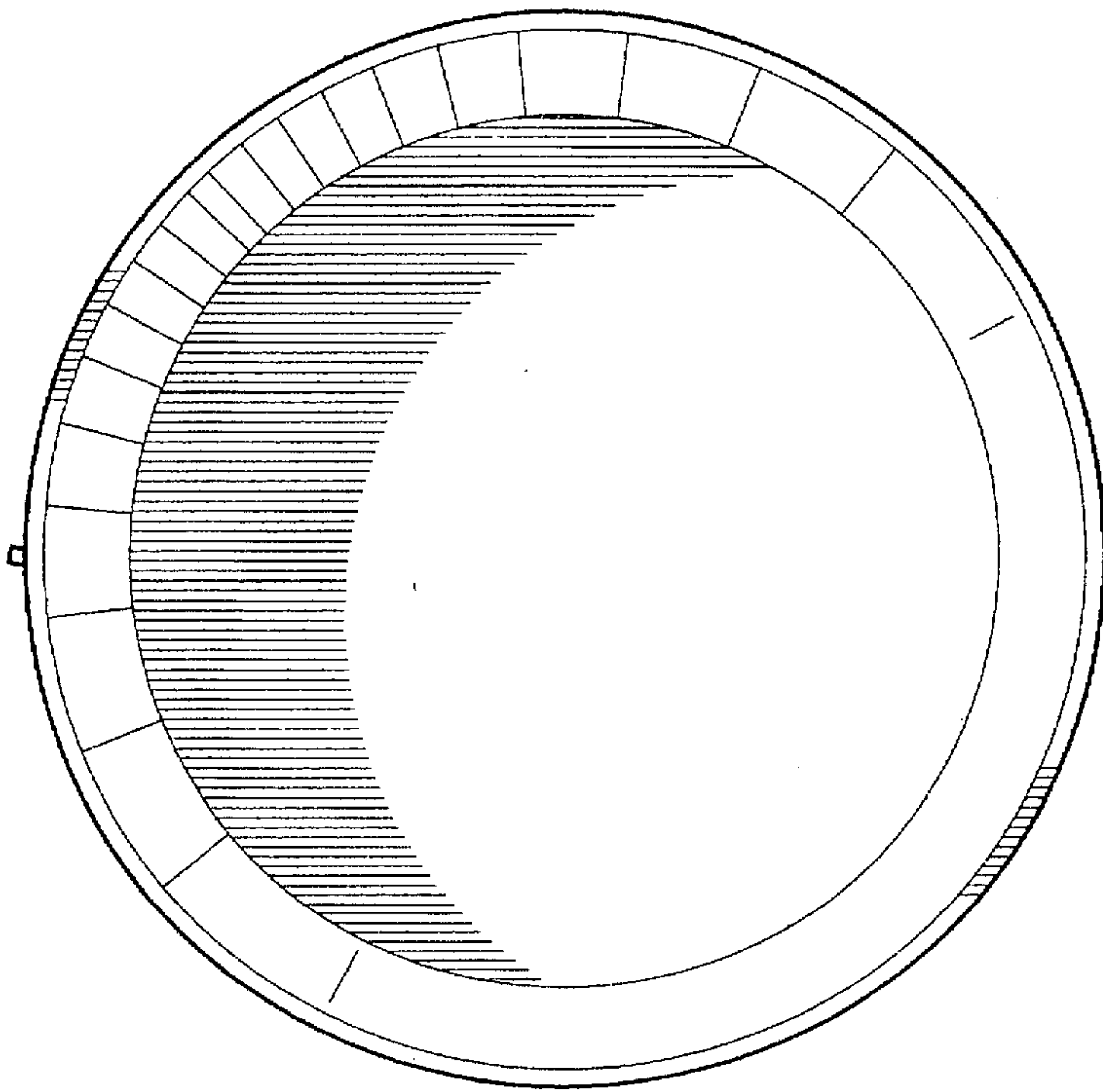


FIG. 7