



US00D407952S

United States Patent [19]
Kendrick

[11] **Patent Number: Des. 407,952**

[45] **Date of Patent: **Apr. 13, 1999**

[54] **BEVERAGE CAN HOLDER**

[76] Inventor: **Kathleen S. Kendrick**, 21 Lincoln St.,
Weston, Mass. 02193

[**] Term: **14 Years**

[21] Appl. No.: **29/088,373**

[22] Filed: **May 21, 1998**

[51] LOC (6) Cl. **07-06**

[52] U.S. Cl. **D7/620**

[58] Field of Search D7/619, 620, 624;
211/71.01, 74; 220/737, 738; 248/311.2,
316.4, 231.41, 911

[56] **References Cited**

U.S. PATENT DOCUMENTS

D. 226,623	4/1973	Shuford	D7/620
D. 303,057	8/1989	Smith	D7/620
D. 367,999	3/1996	McCallum	D7/620

Primary Examiner—Terry A. Wallace
Attorney, Agent, or Firm—William Nitkin

[57] **CLAIM**

The ornamental design for a beverage can holder, as shown and described.

DESCRIPTION

FIG. 1 is a left side elevational view of a beverage can holder showing my new design;

FIG. 2 is a right side elevational view thereof;

FIG. 3 is a top plan view thereof;

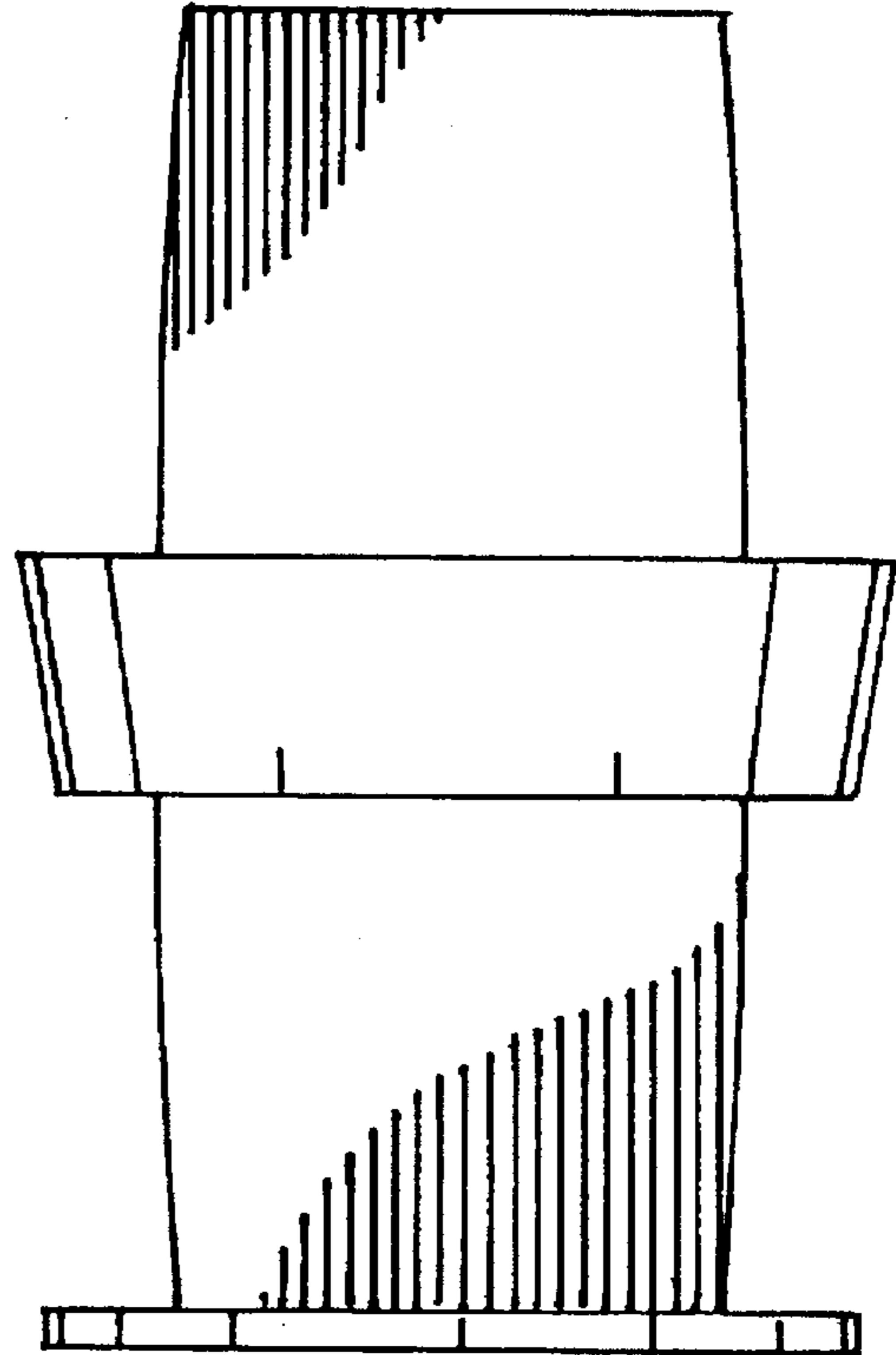
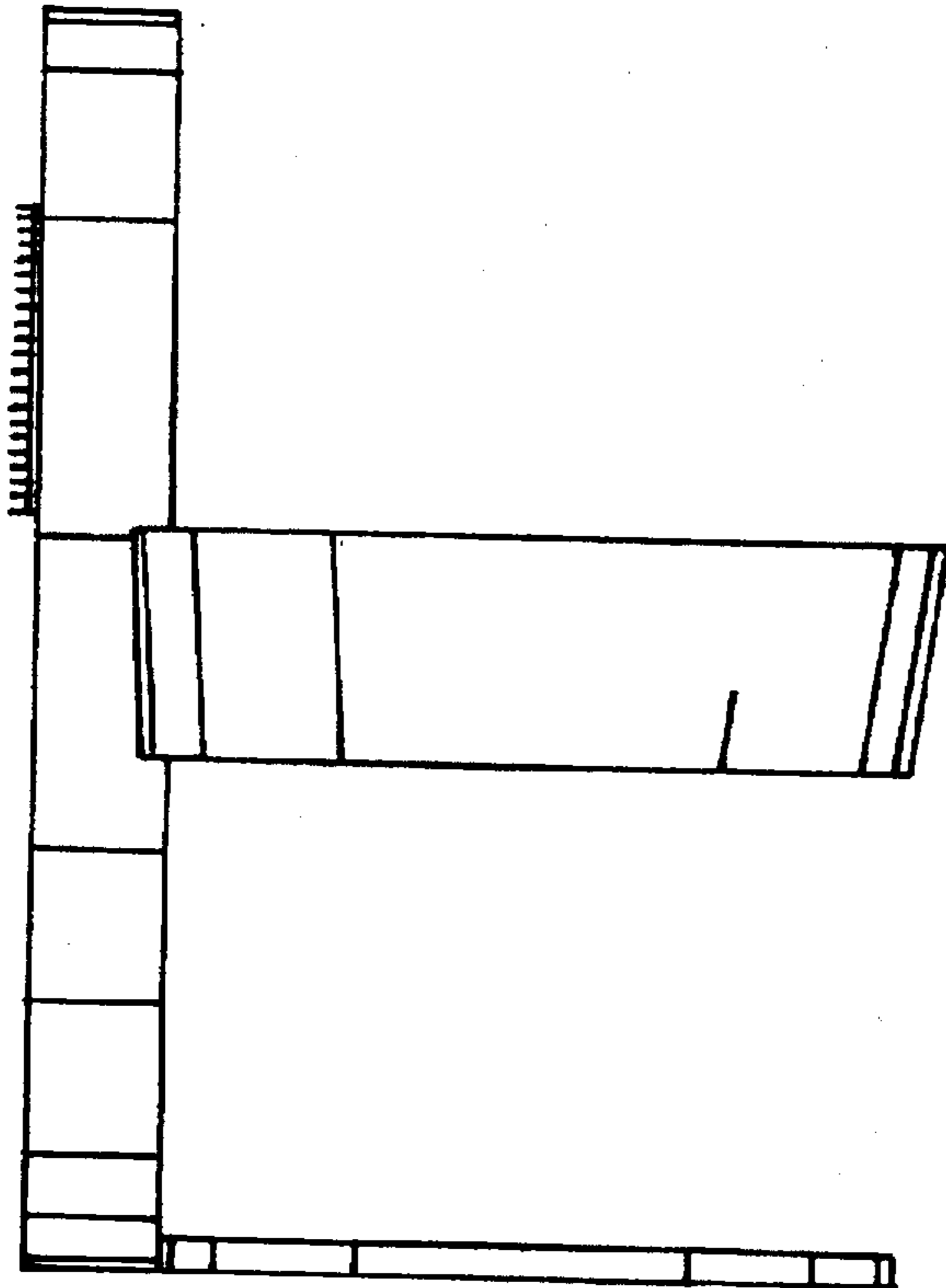
FIG. 4 is a bottom plan view thereof;

FIG. 5 is a front elevational view thereof;

FIG. 6 is a rear elevational view thereof; and,

FIG. 7 is a perspective view thereof shown on a slightly enlarged scale with a beverage can shown in dashed lines, such beverage can not being part of my design.

1 Claim, 3 Drawing Sheets



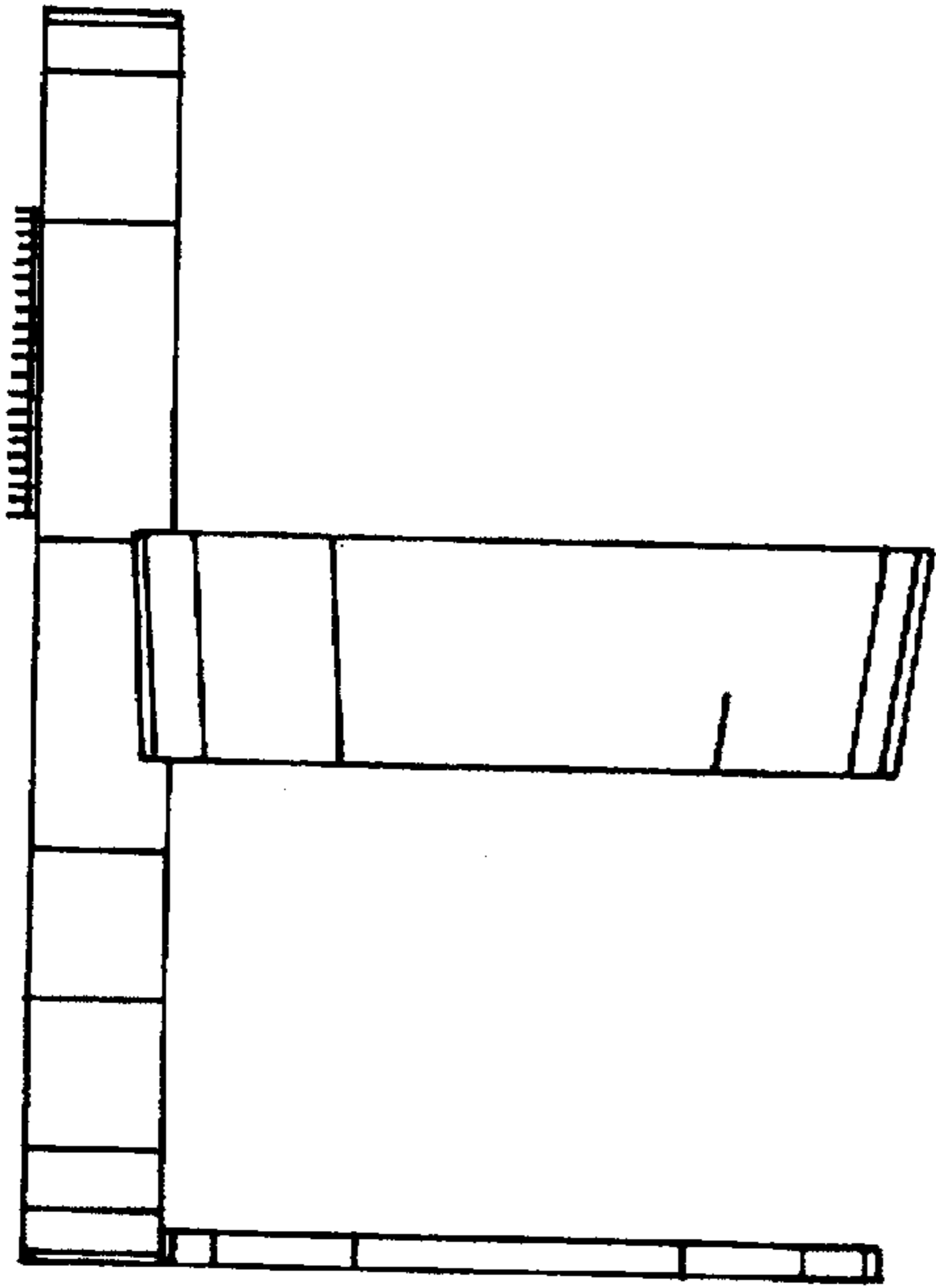


FIG. 1

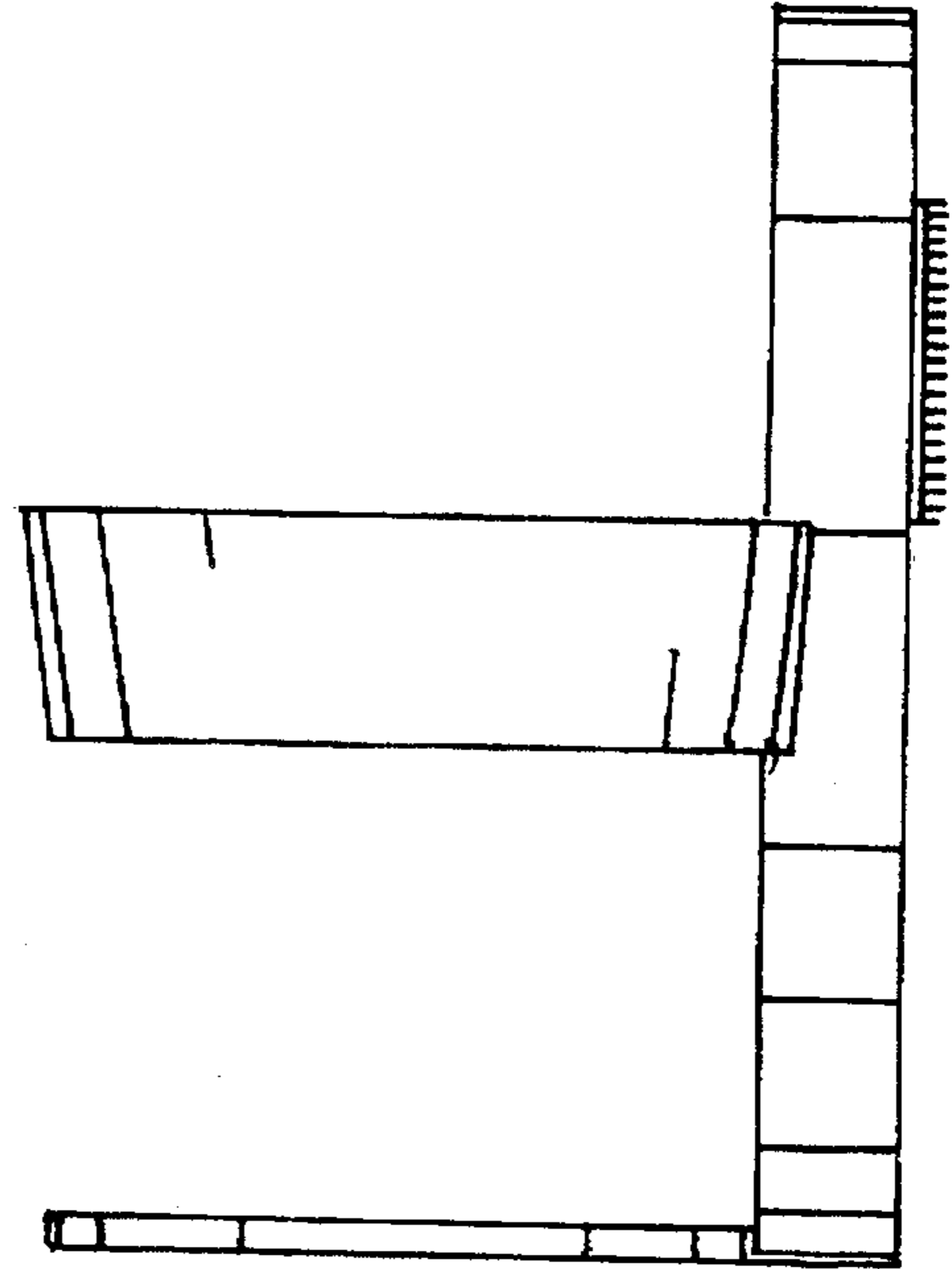


FIG. 2

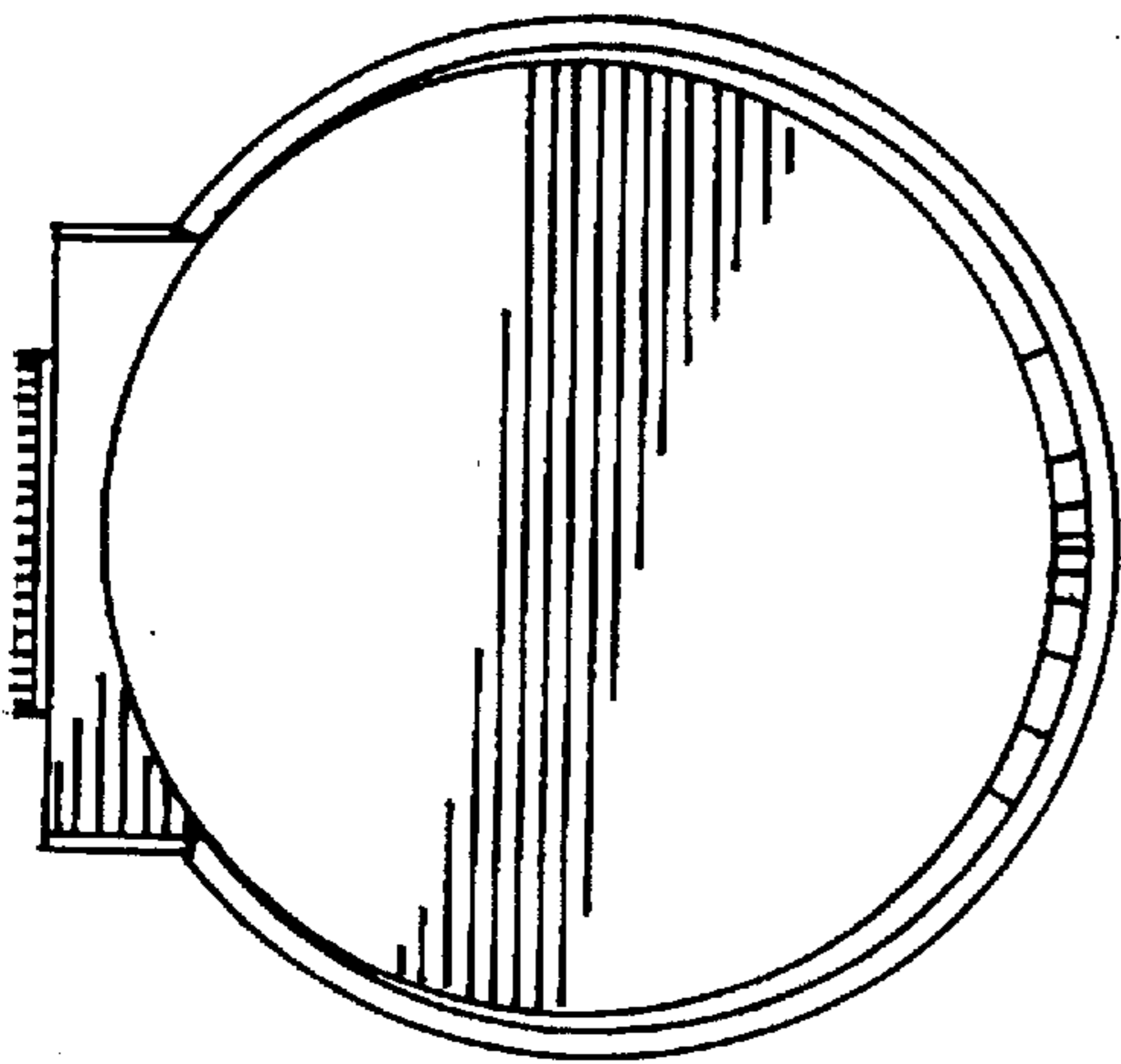


FIG. 3

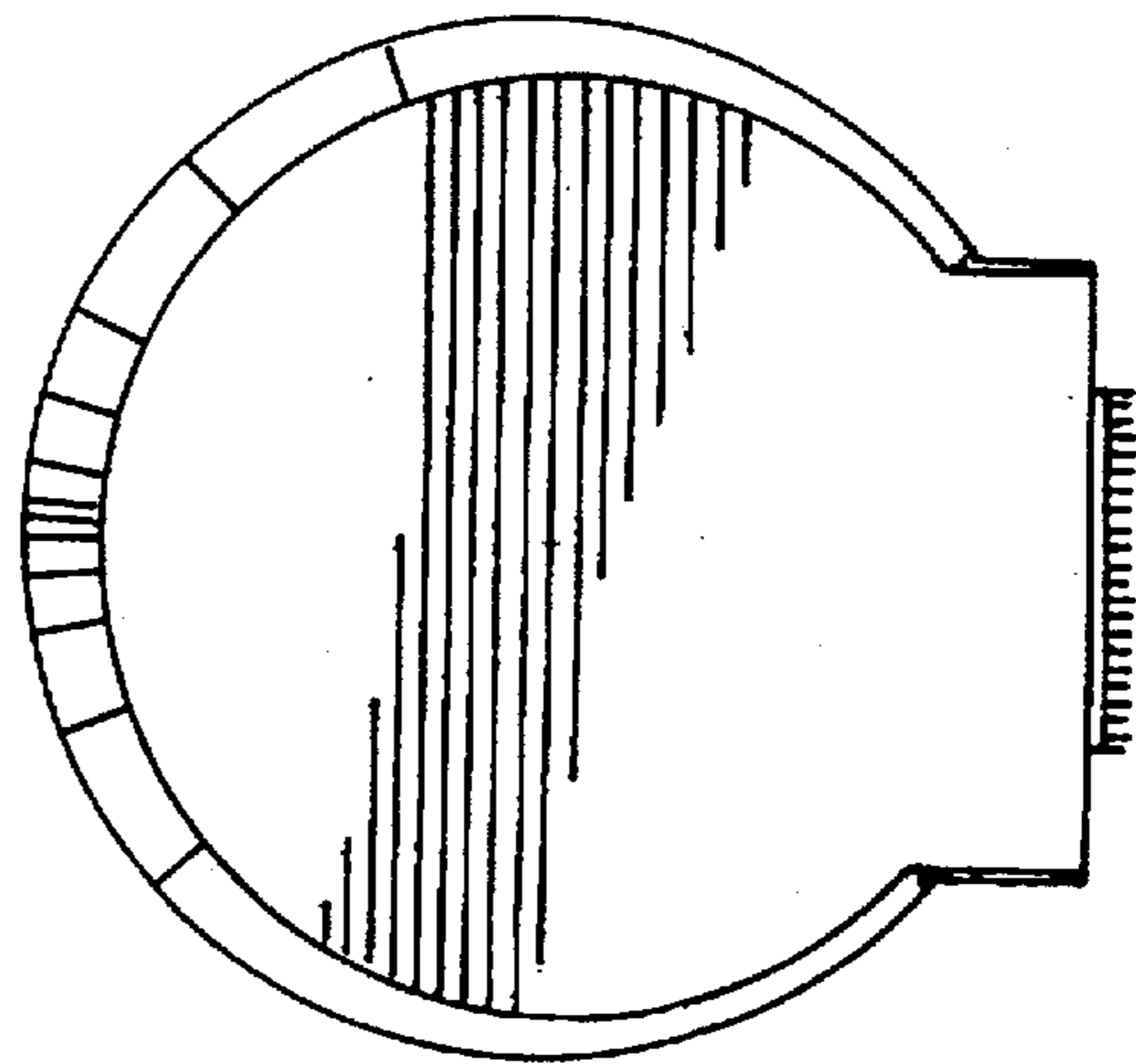


FIG. 4

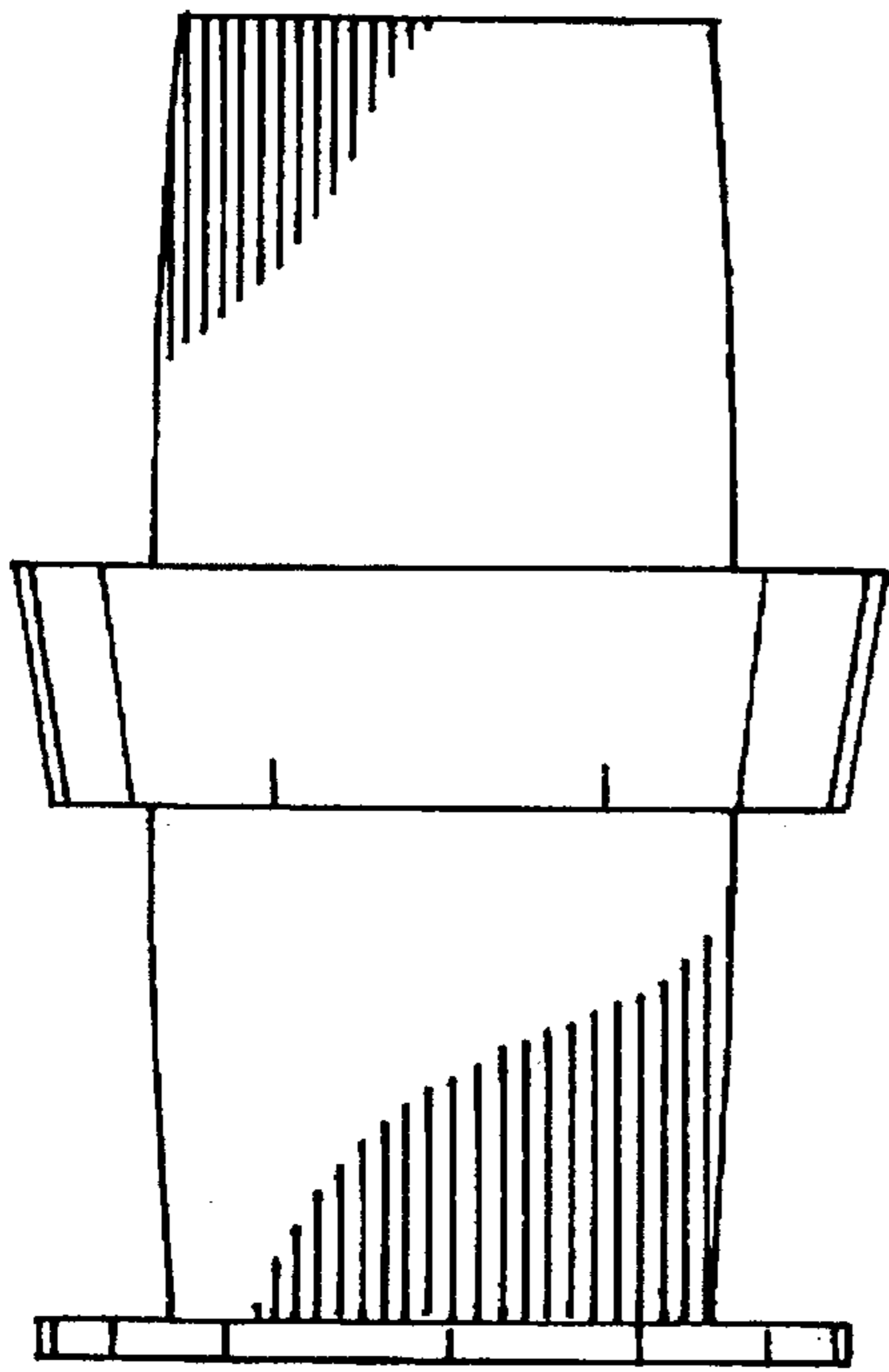


FIG. 5

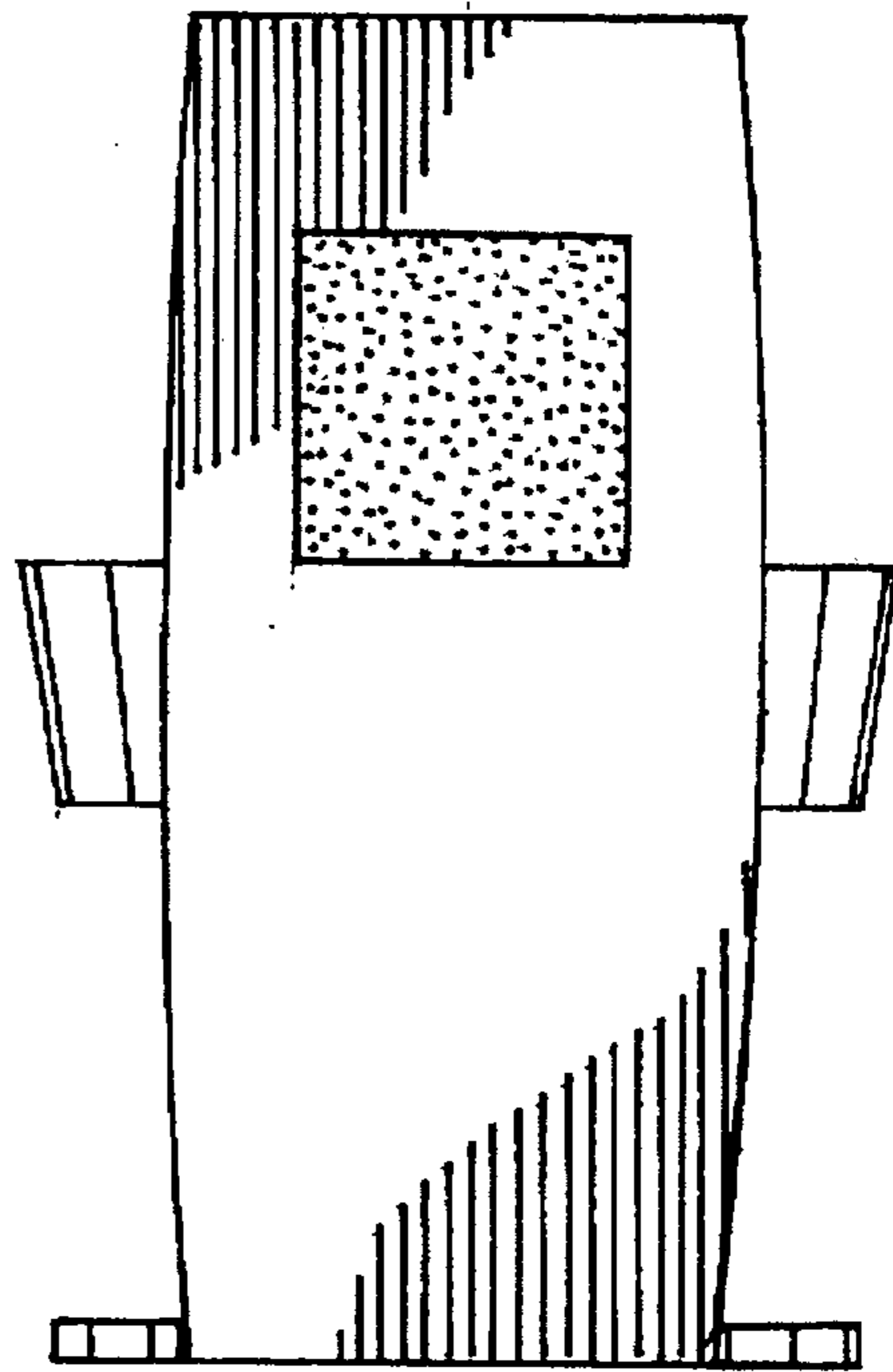


FIG. 6

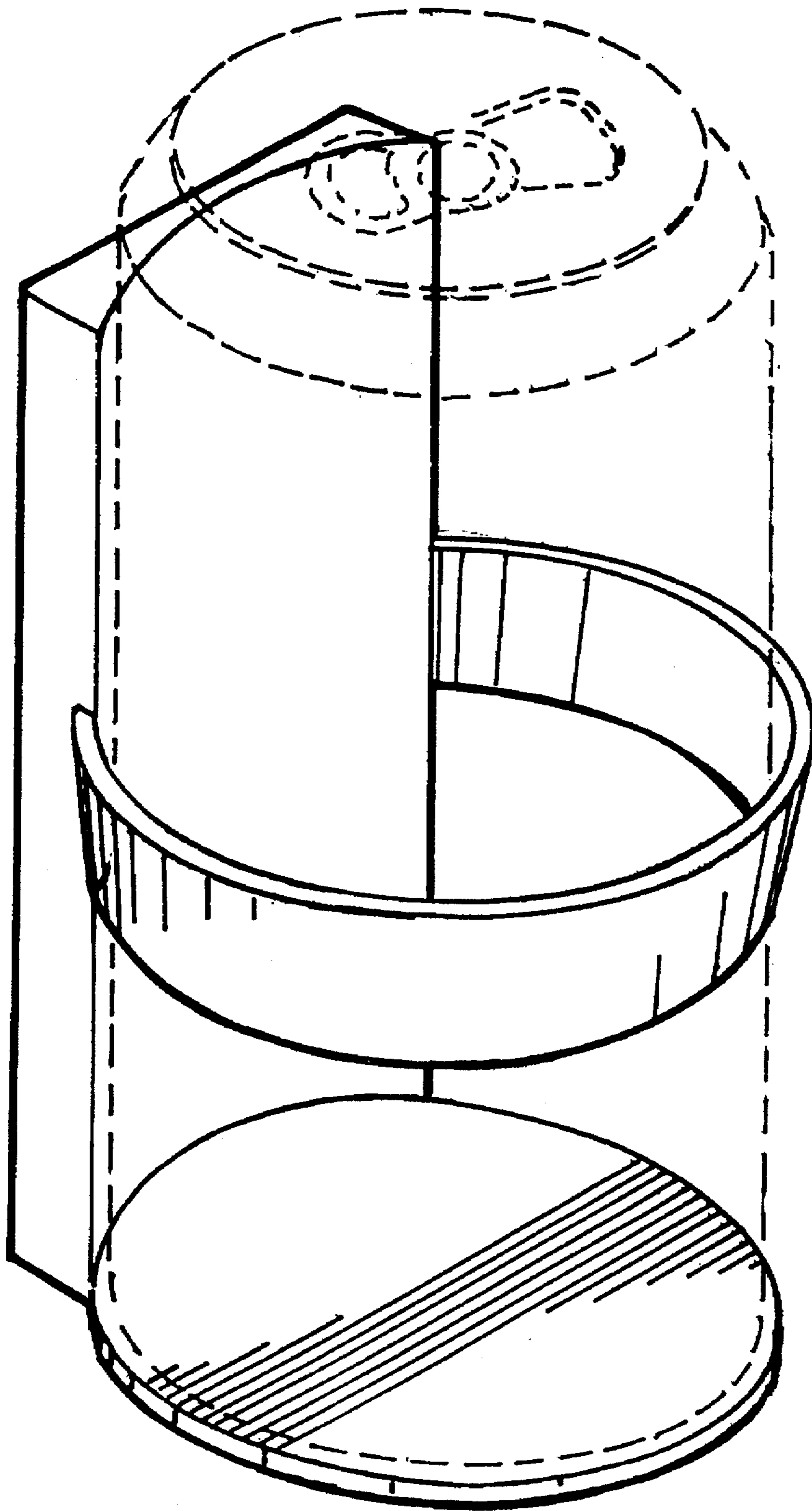


FIG. 7