



US00D407951S

United States Patent [19]

[11] Patent Number: Des. 407,951

Philipson et al.

[45] Date of Patent: **Apr. 13, 1999

[54] EXPANDABLE CUP HOLDER

5,149,032 9/1992 Jones et al. .

5,385,325 1/1995 Rigsby .

[75] Inventors: Alan H. Philipson; Andre R. Philipson, both of New Orleans, La.

5,390,887 2/1995 Campbell 248/311.2

5,573,214 11/1996 Jones et al. .

[73] Assignee: Superior Merchandise Company Inc., New Orleans, La.,

Primary Examiner—Terry A. Wallace
Attorney, Agent, or Firm—Nixon & Vanderhye PC

[**] Term: 14 Years

[57] CLAIM

[21] Appl. No.: 29/087,911

The ornamental design for an “expandable cup holder”, as shown and described.

[22] Filed: May 12, 1998

DESCRIPTION

[51] LOC (6) Cl. 07-06

FIG. 1 is a perspective view of an expandable cup holder showing our new design;

[52] U.S. Cl. D7/619

FIG. 2 is a top plan view thereof;

[58] Field of Search D7/619, 620; 211/71.01, 211/74; 220/737, 738; 248/231.41, 311.2, 316.4, 911

FIG. 3 is a bottom plan view thereof;

FIG. 4 is side elevation view thereof;

FIG. 5 is the other side elevation view thereof;

FIG. 6 is a front elevation view thereof;

FIG. 7 is a rear elevation view thereof; and,

FIG. 8 is a perspective view thereof in a closed position.

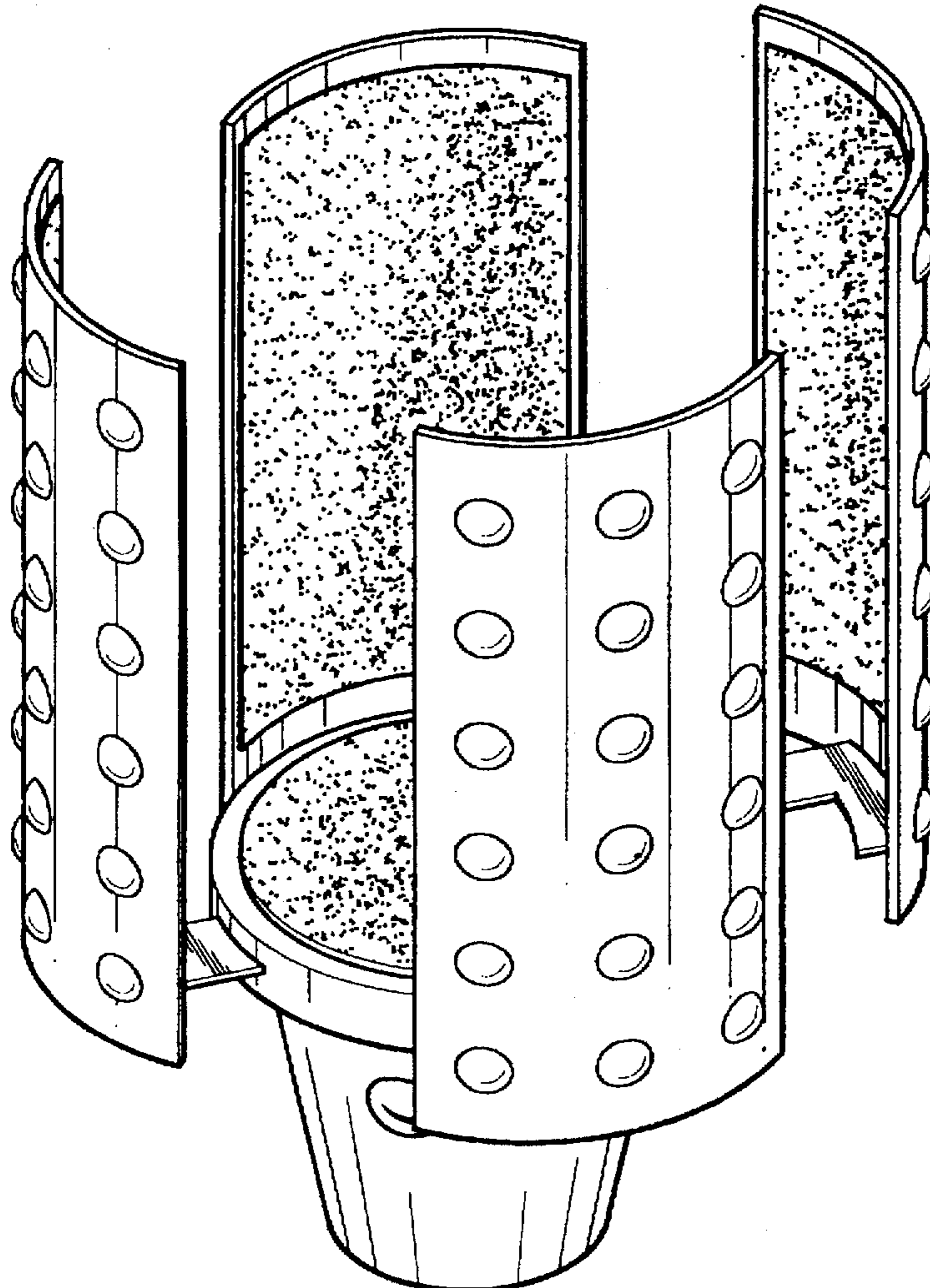
[56] References Cited

U.S. PATENT DOCUMENTS

4,943,111 7/1990 Vanderlaan .

5,033,709 7/1991 Yuen .

1 Claim, 4 Drawing Sheets



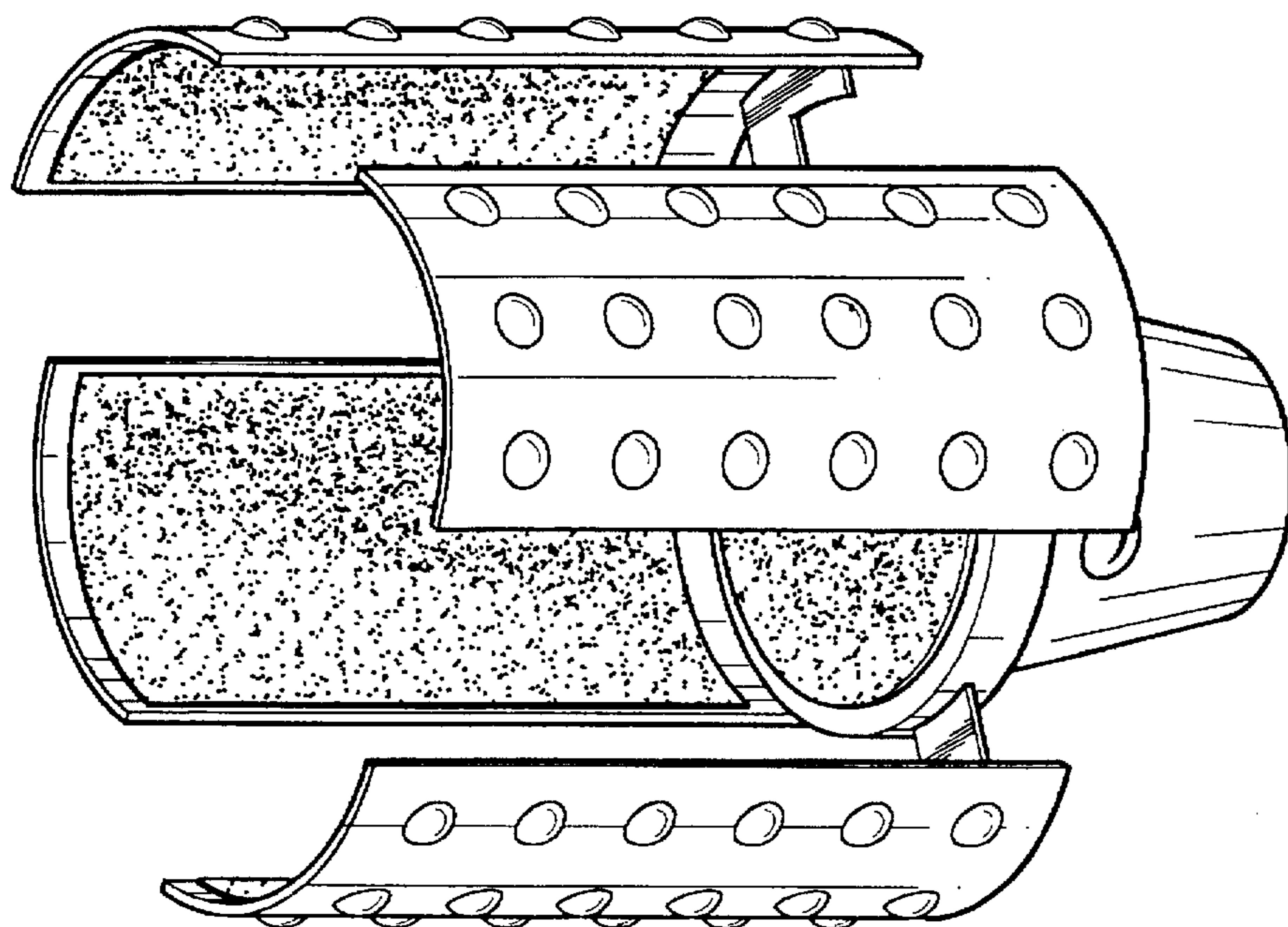
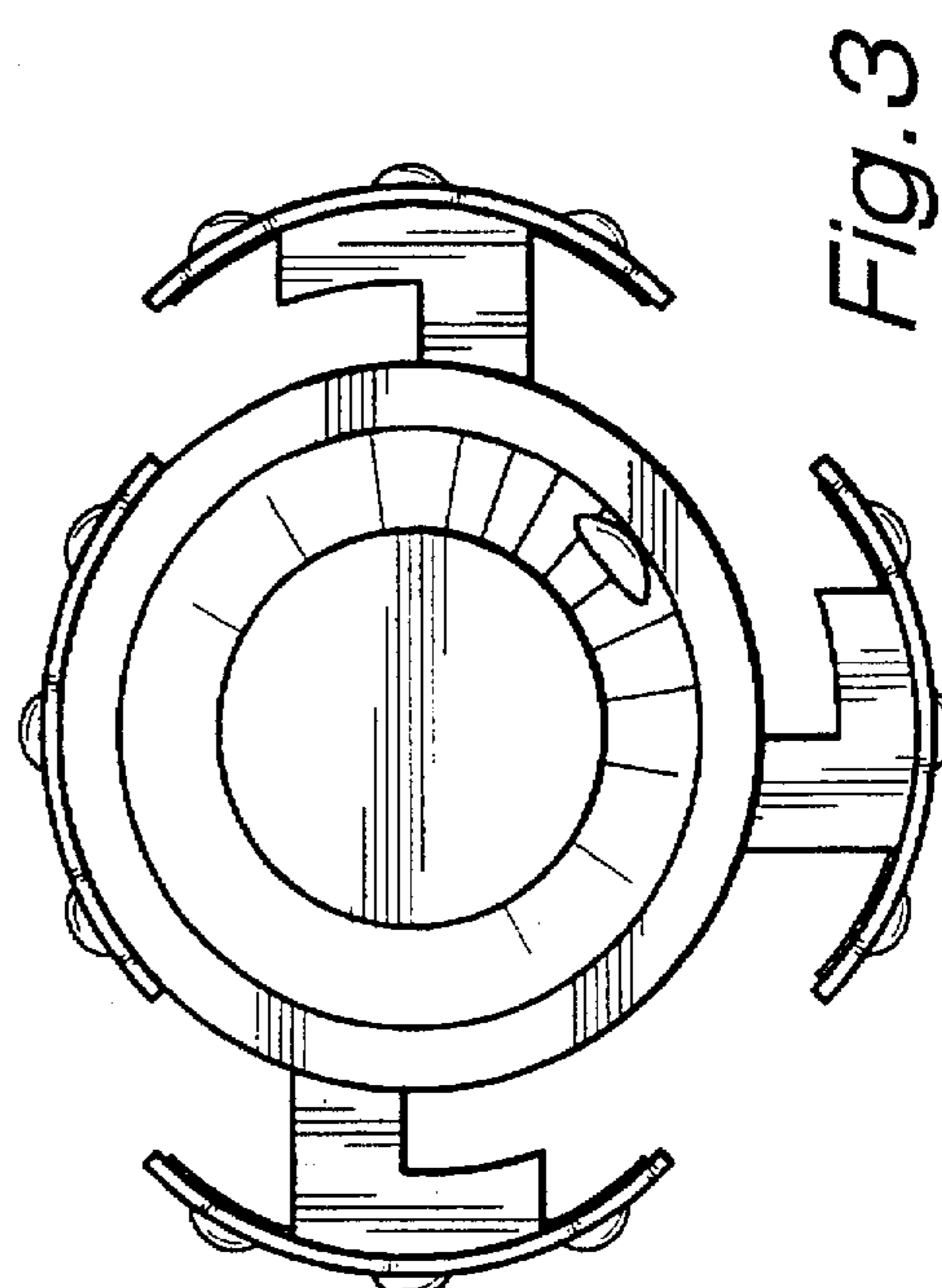
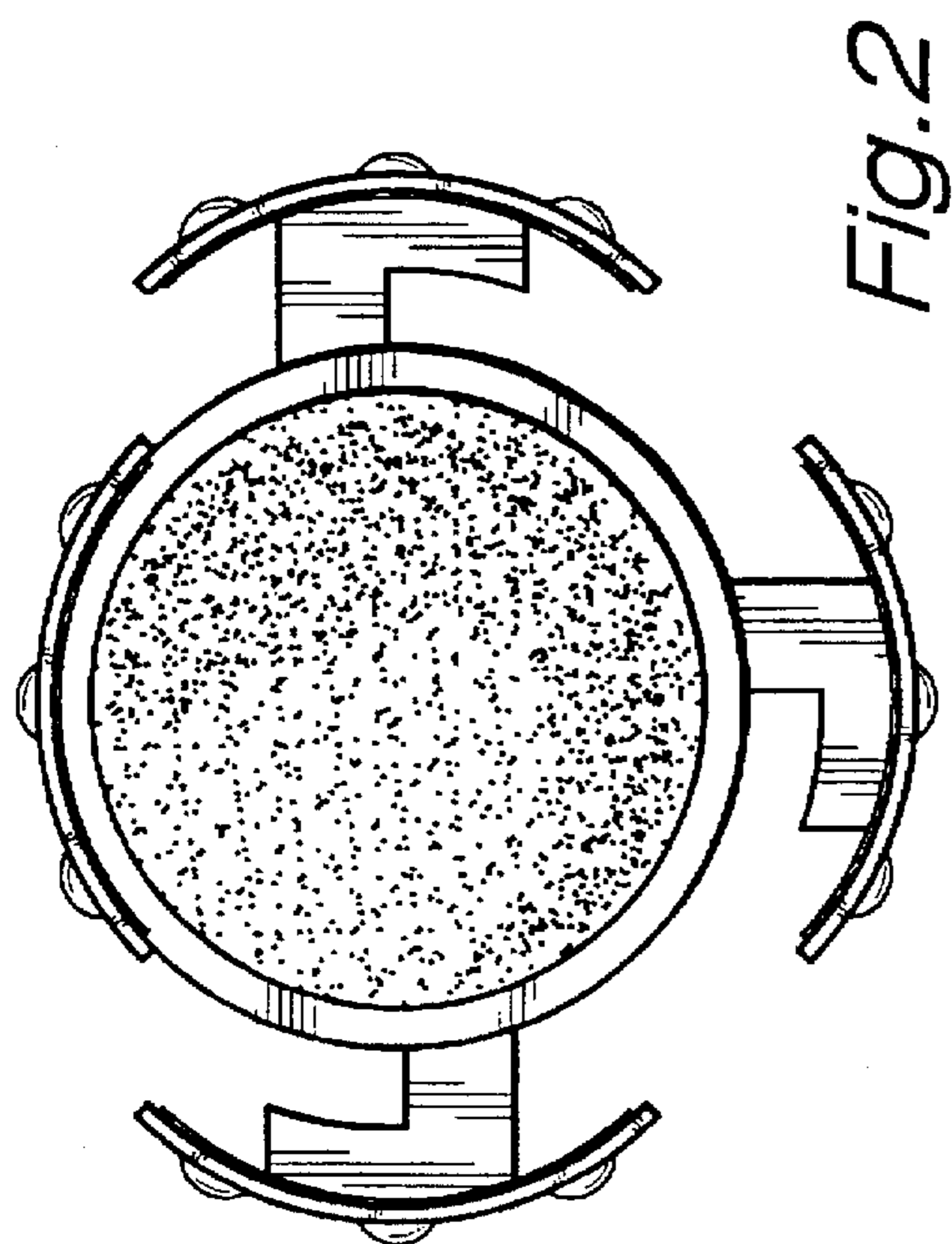


Fig. 2

Fig. 3

Fig. 7

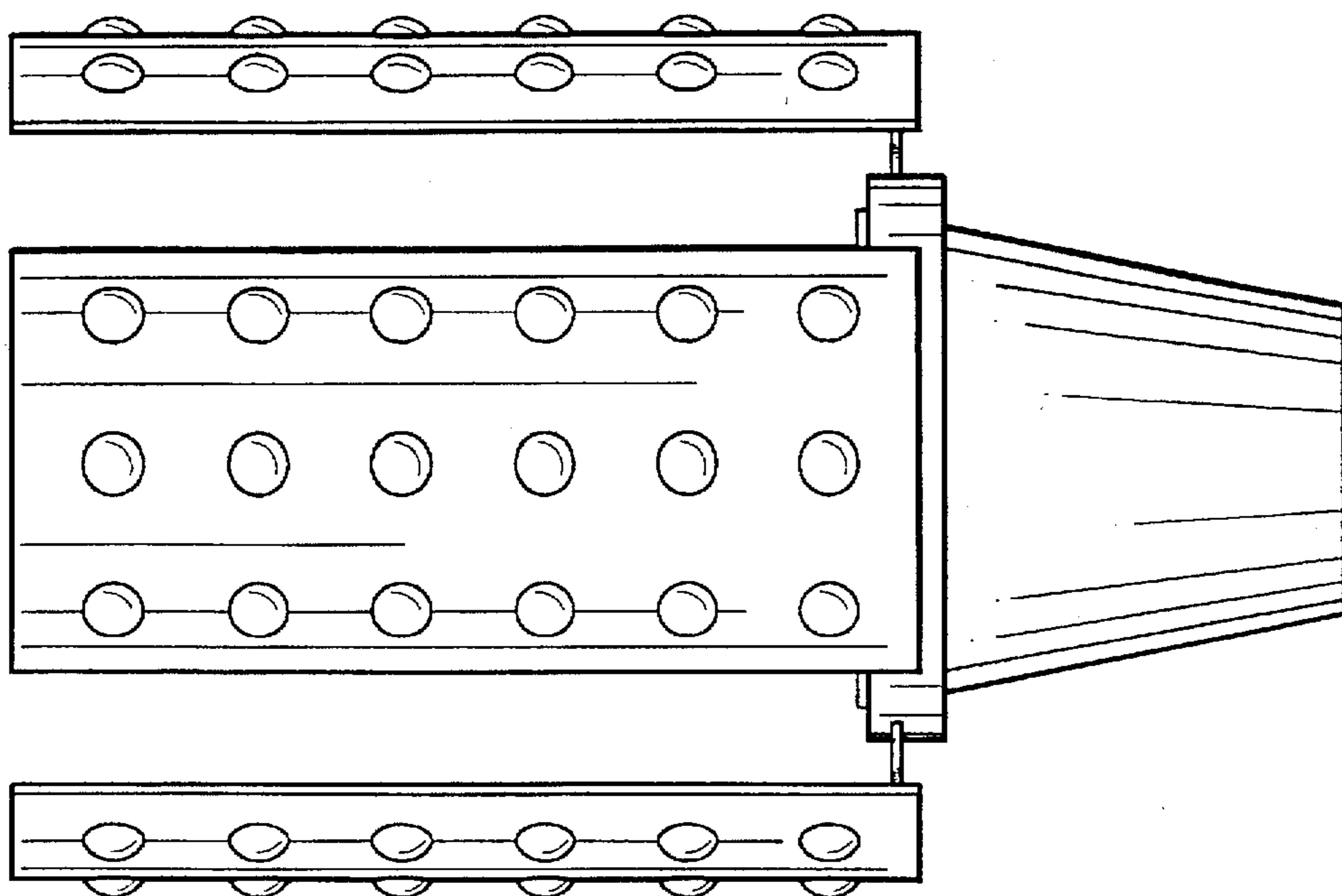


Fig. 5

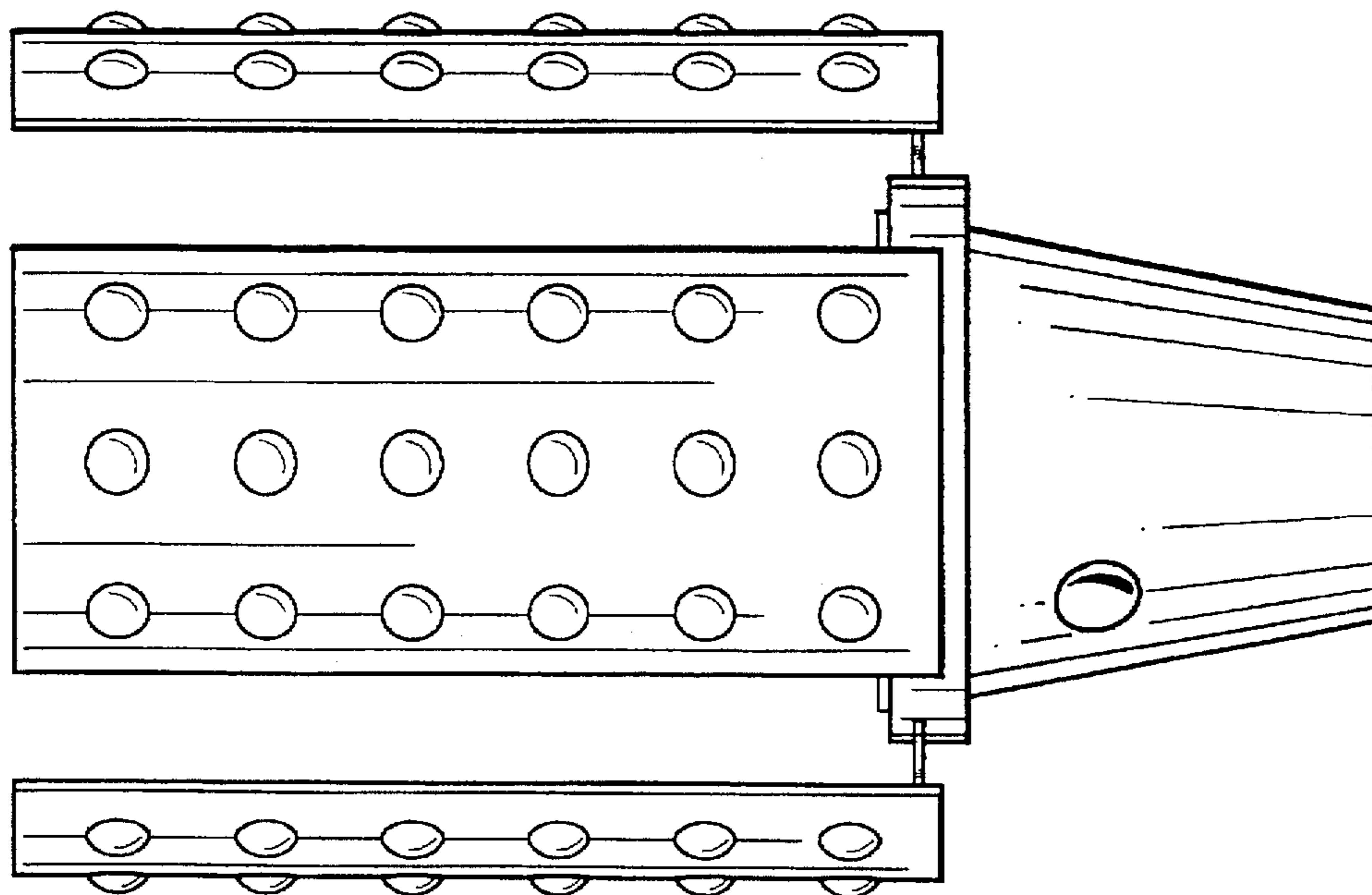


Fig. 4

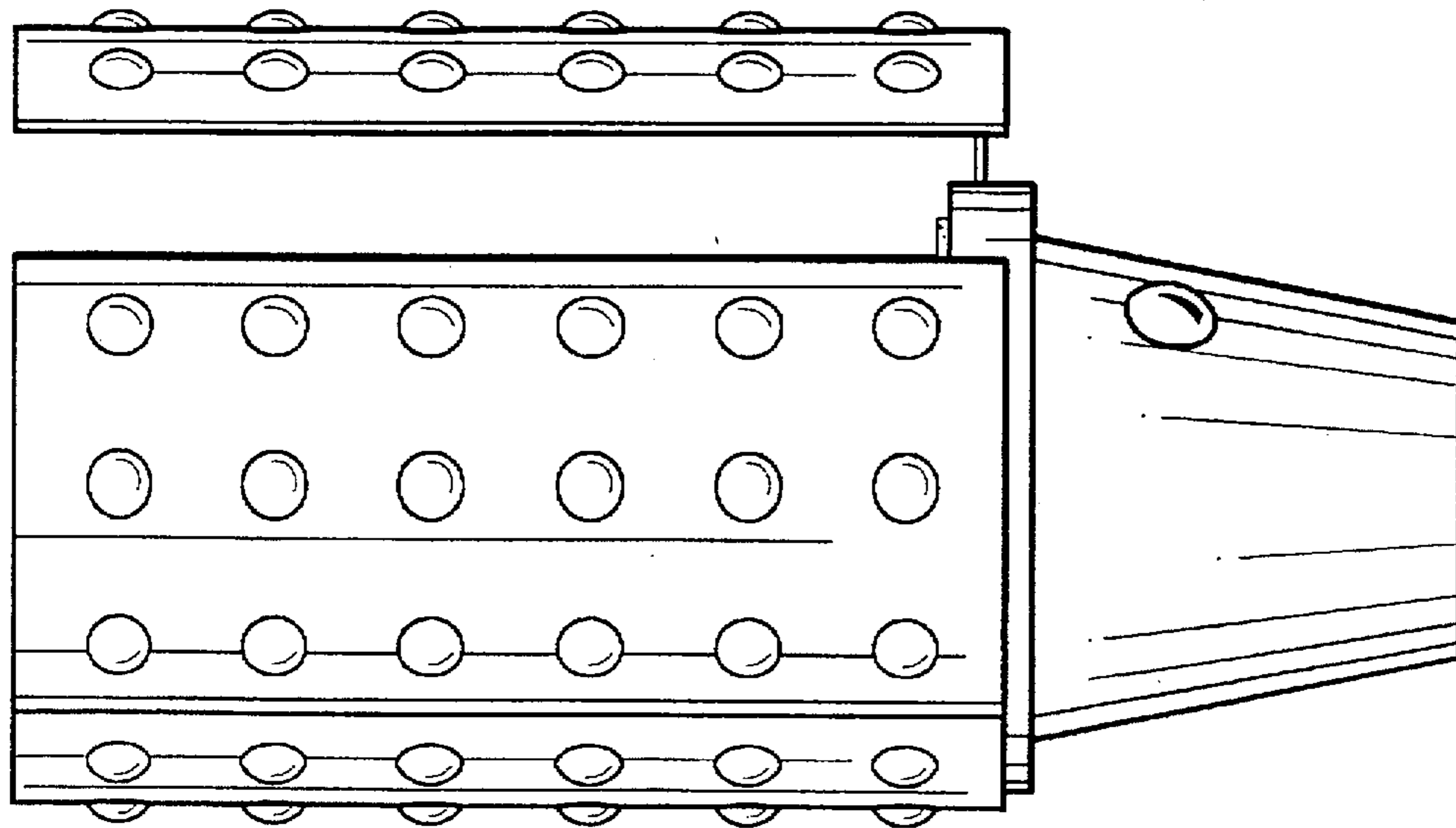


Fig. 7

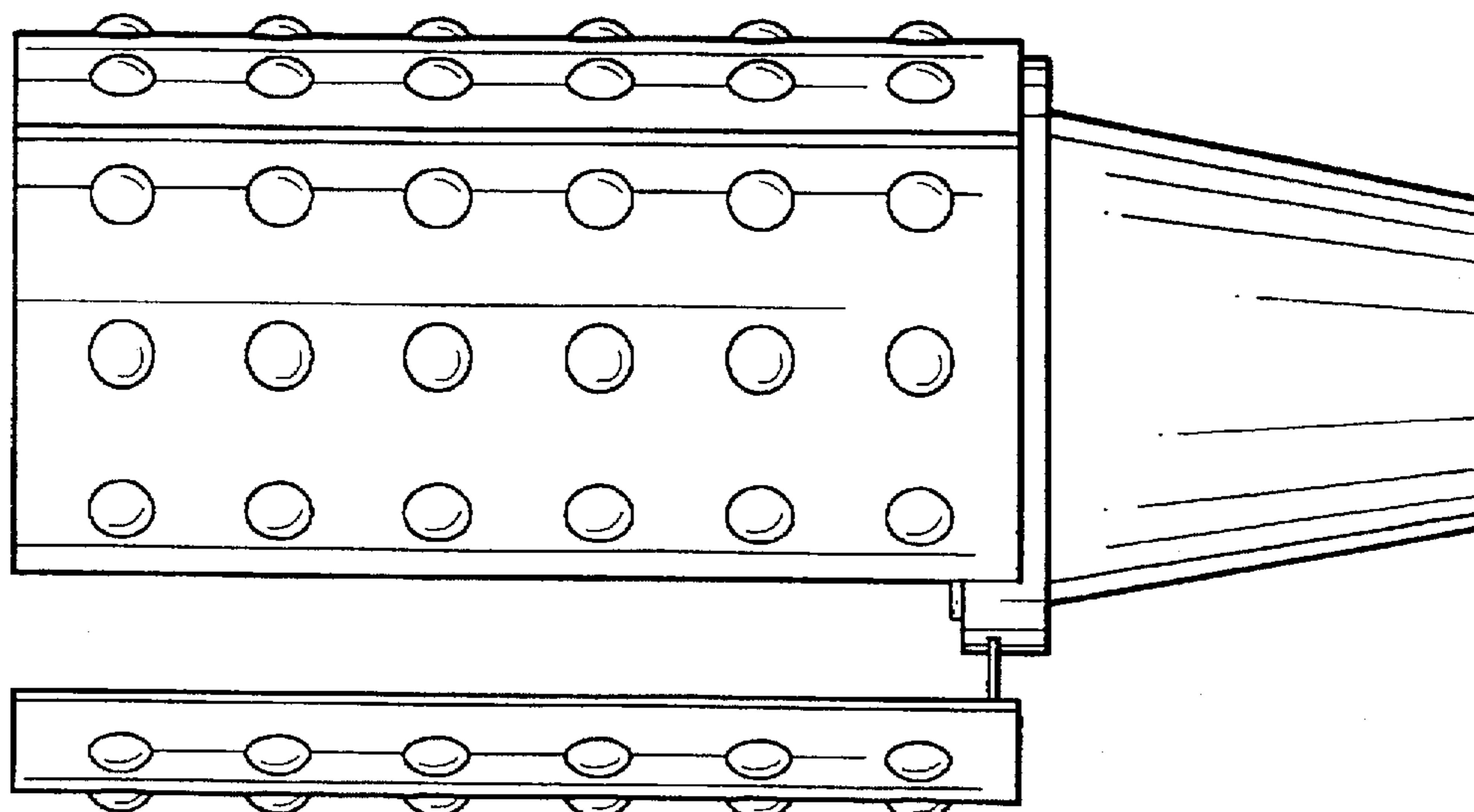


Fig. 6

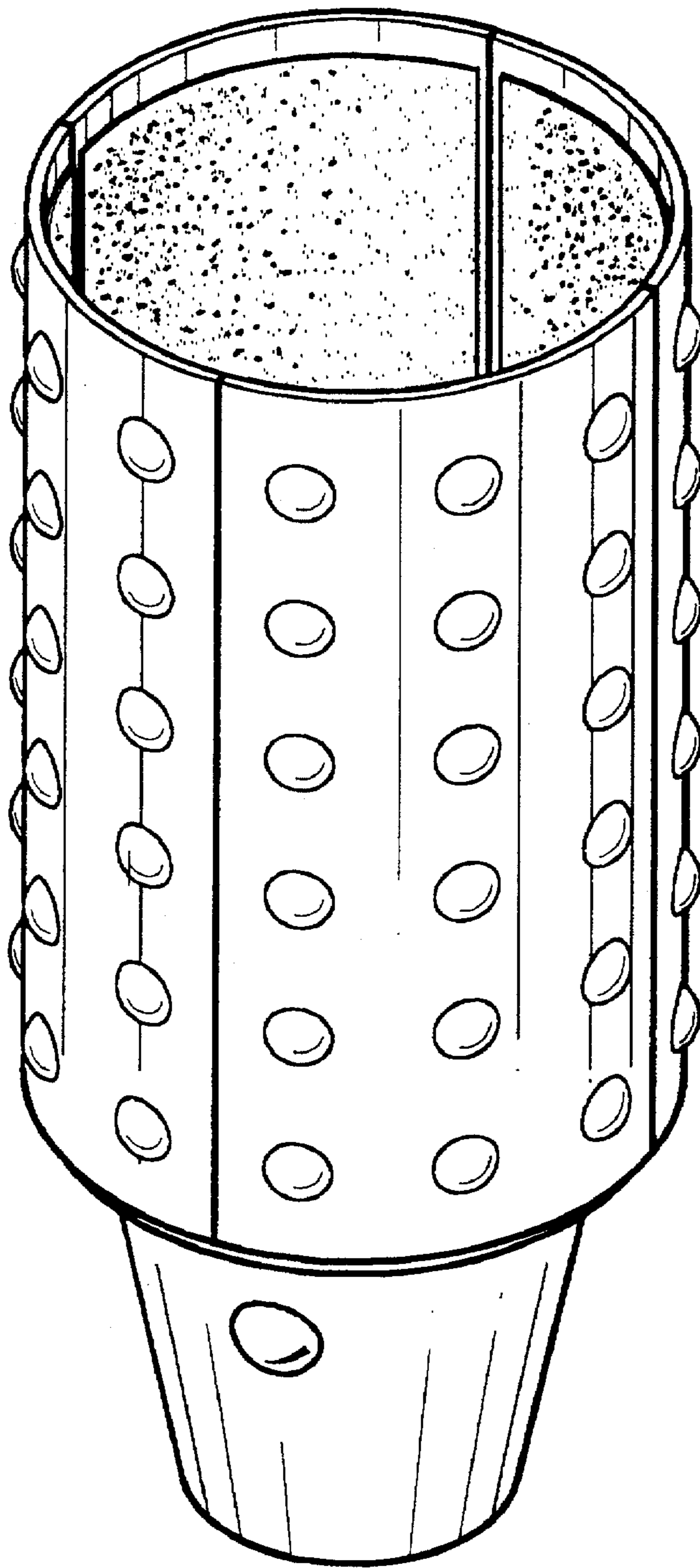


Fig. 8