



US00D407943S

**United States Patent** [19]  
**Chen**

[11] **Patent Number: Des. 407,943**

[45] **Date of Patent: \*\*Apr. 13, 1999**

[54] **TEAPOT**

[76] **Inventor: Kuo-Chang Chen**, No. 469-4, Chung Shan Rd., Hsi Kang Hsiang, Tainan Hsien, Taiwan

[\*\*] **Term: 14 Years**

[21] **Appl. No.: 29/090,344**

[22] **Filed: Jul. 7, 1998**

[51] **LOC (6) Cl. .... 07-01**

[52] **U.S. Cl. .... D7/322; D7/321**

[58] **Field of Search .... D7/312, 313, 321, D7/322, 300; 220/475; 222/472, 475, 475.1**

[56] **References Cited**

**U.S. PATENT DOCUMENTS**

D. 192,016	1/1962	Cronheim	.....	D7/322
D. 282,810	3/1986	Urich	.....	D7/322
D. 361,692	8/1995	Lee	.....	D7/322
D. 364,991	12/1995	Lee	.....	D7/322
D. 380,337	7/1997	Lien	.....	D7/322

D. 381,239	7/1997	Chen	.....	D7/322
D. 381,859	8/1997	Joergensen	.....	D7/322
D. 390,744	2/1998	Otero	.....	D7/321
D. 396,988	8/1998	Lien	.....	D7/322

*Primary Examiner*—M. N. Pandozzi  
*Attorney, Agent, or Firm*—Peterson, Wicks, Nemer & Kamrath

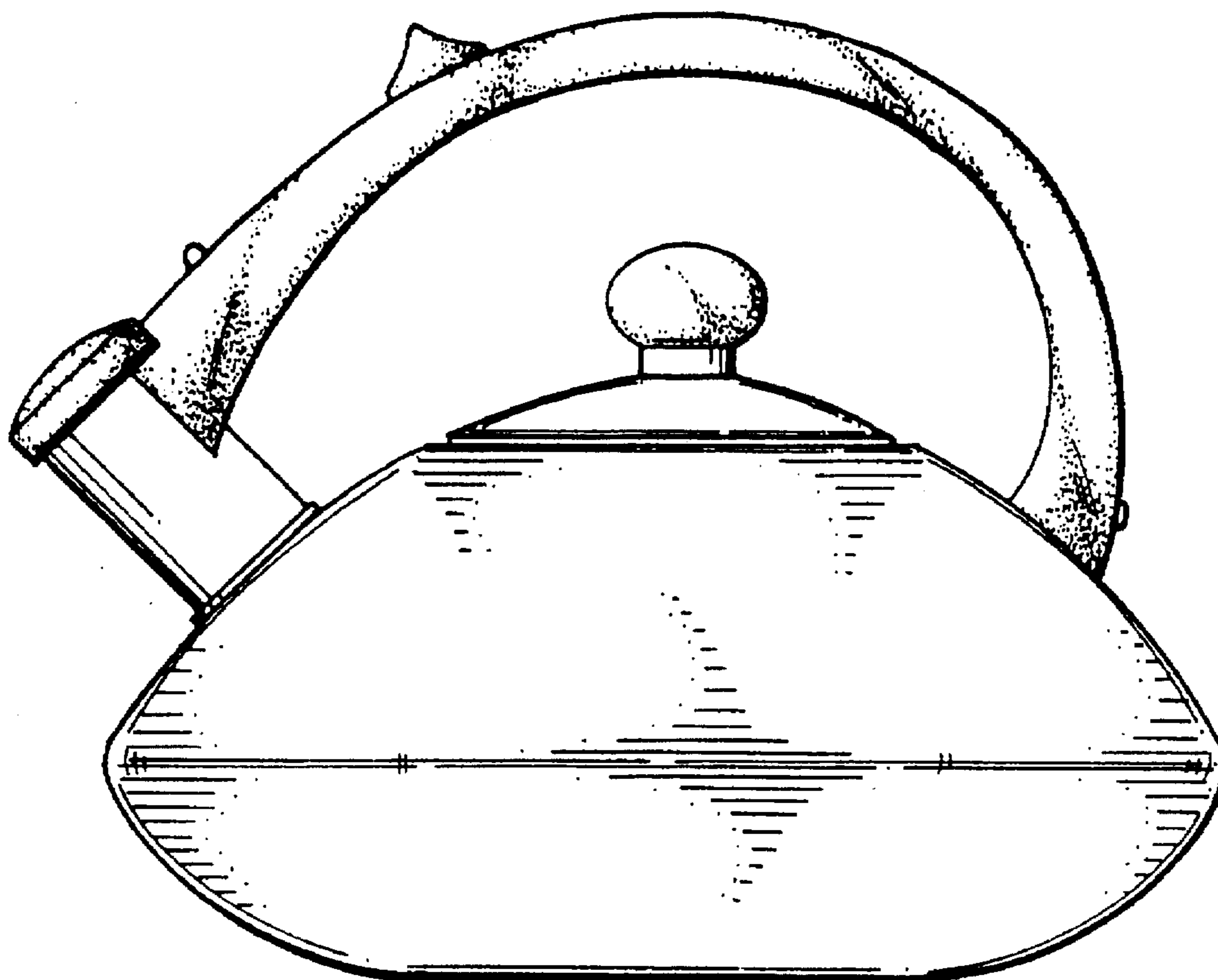
[57] **CLAIM**

The ornamental design for the teapot, as shown.

**DESCRIPTION**

FIG. 1 is a perspective view of a teapot showing my new design;  
FIG. 2 is a front view thereof;  
FIG. 3 is a rear view thereof;  
FIG. 4 is a left side view thereof;  
FIG. 5 is a right side view thereof;  
FIG. 6 is a top view thereof; and,  
FIG. 7 is a bottom view thereof.

**1 Claim, 4 Drawing Sheets**



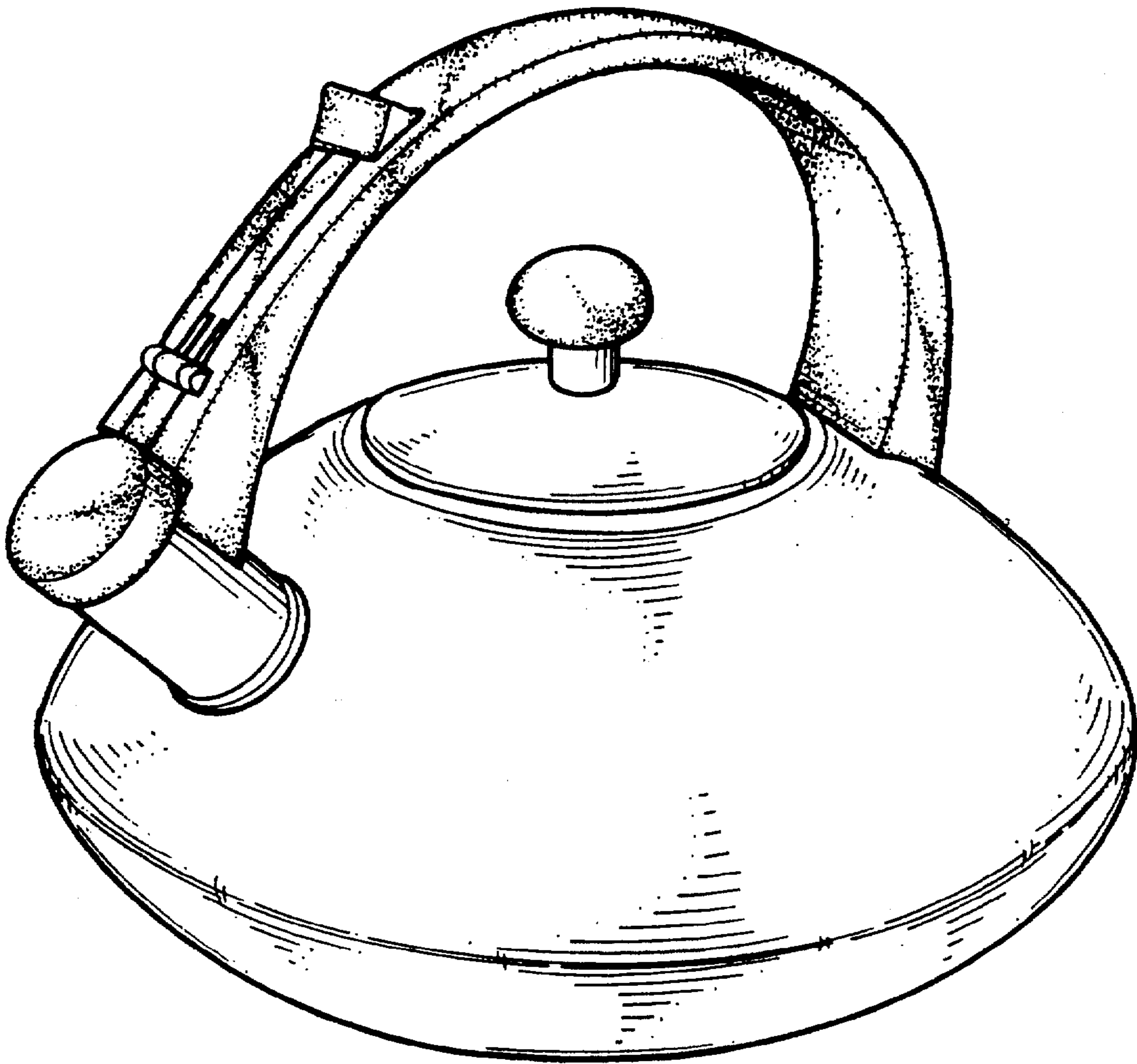


FIG. 1

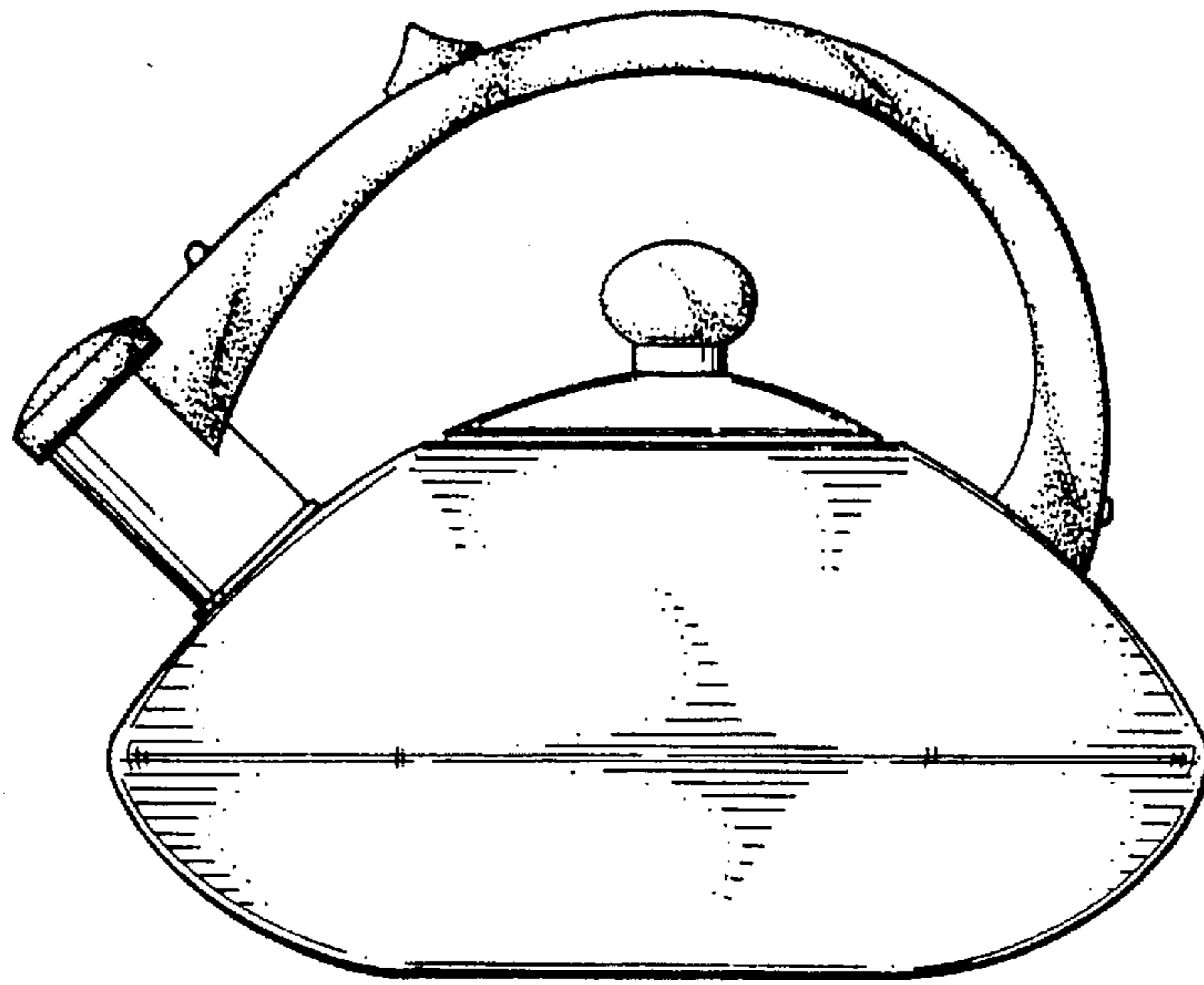


FIG. 2

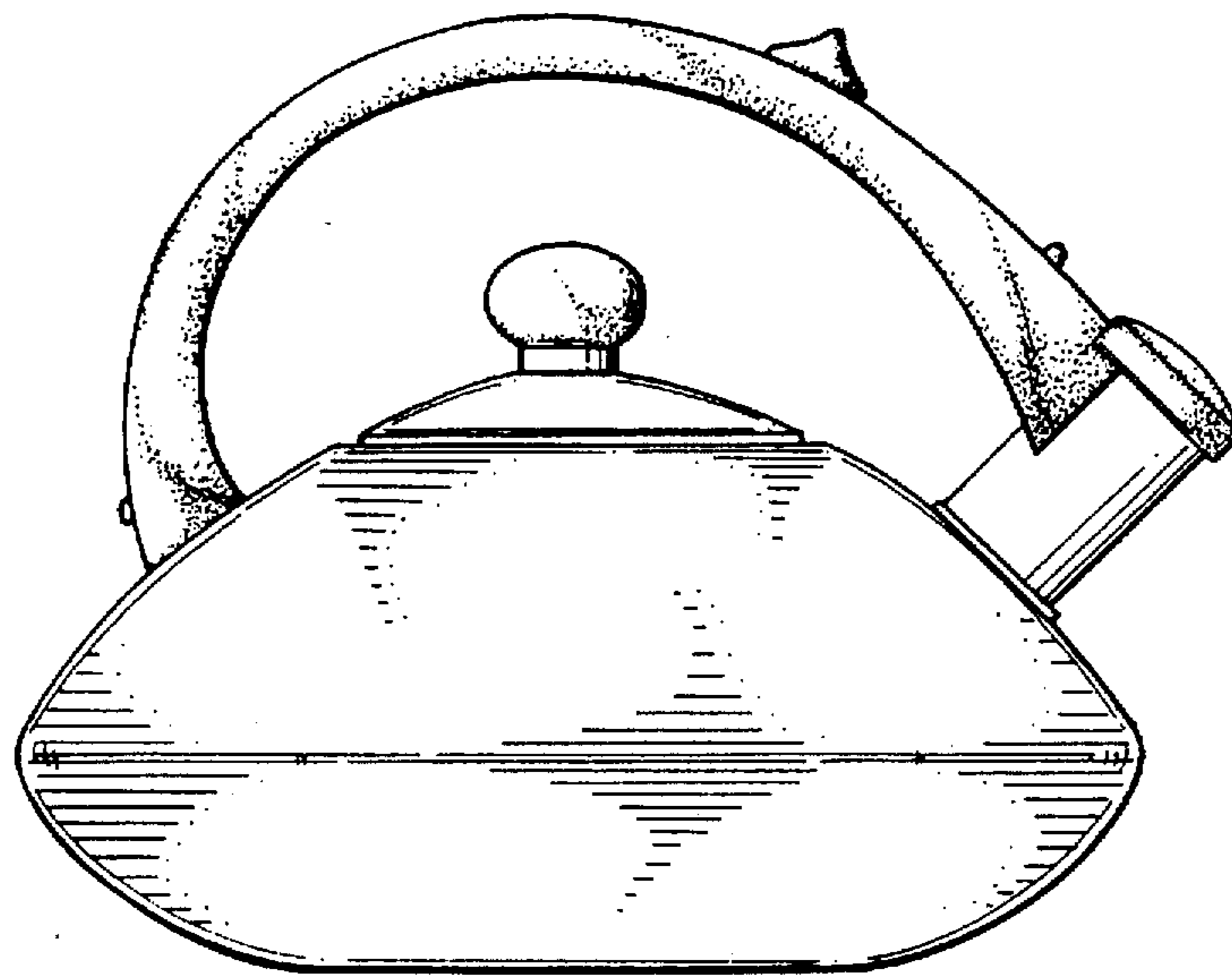


FIG. 3

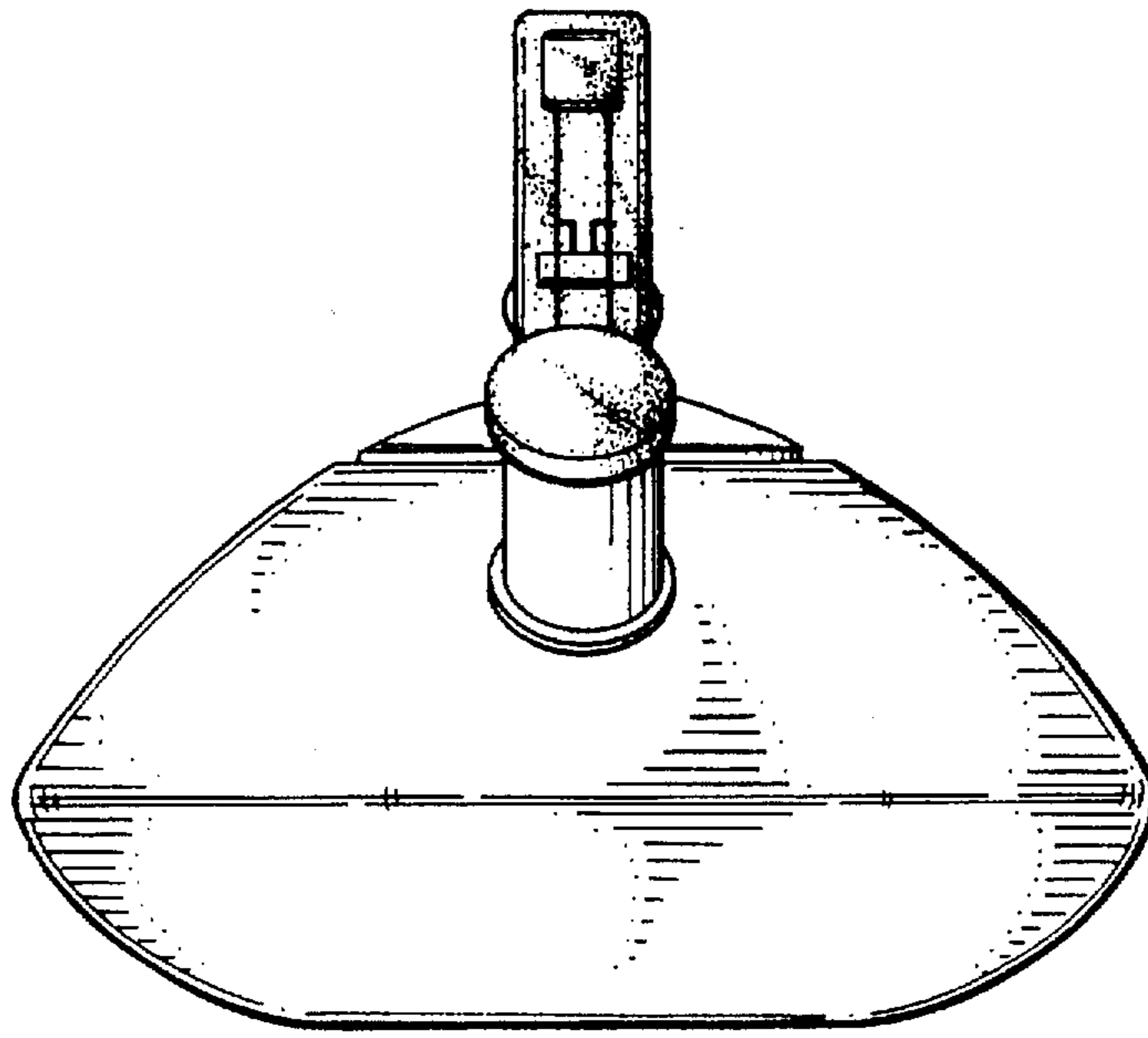


FIG. 4

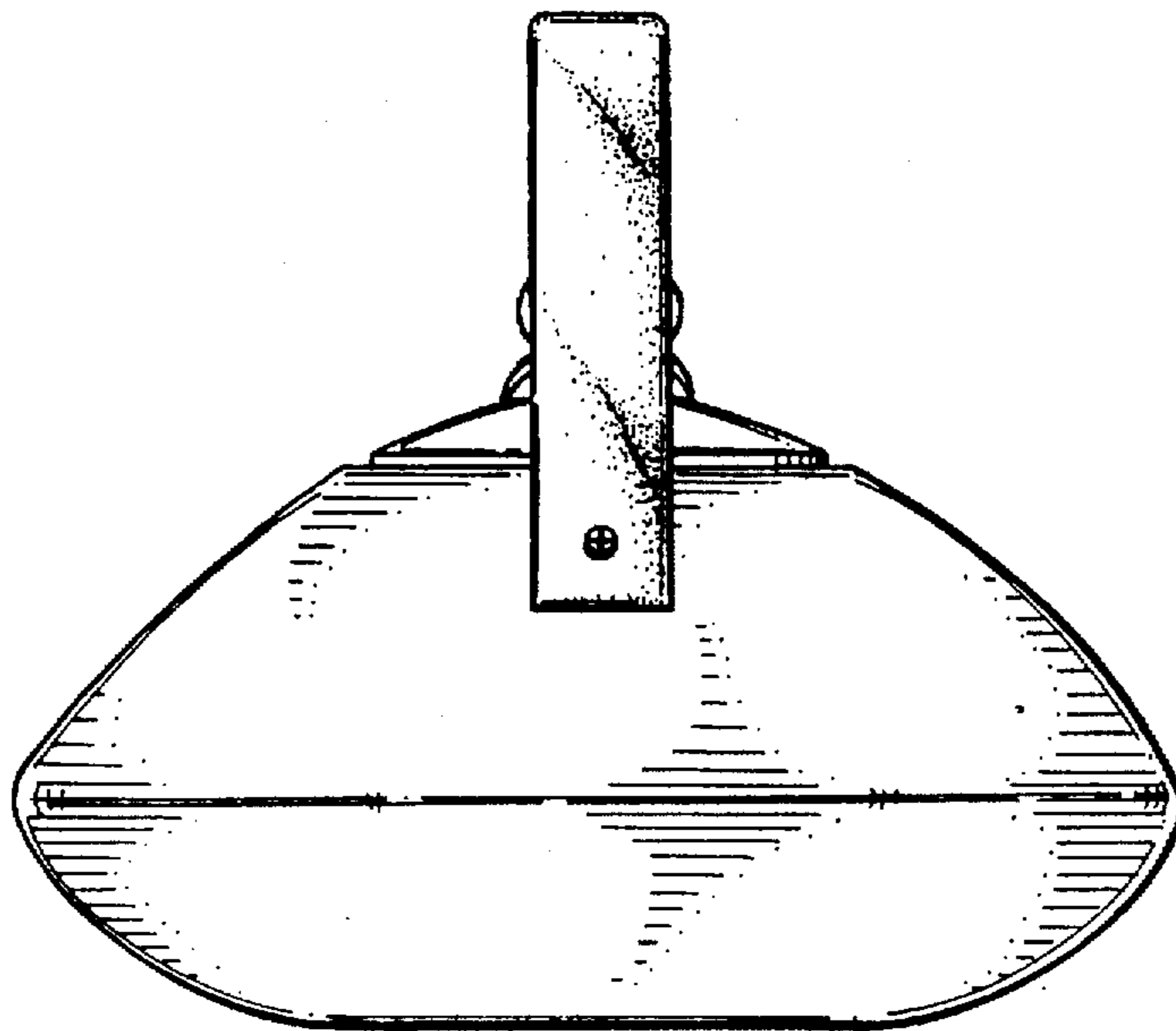


FIG. 5

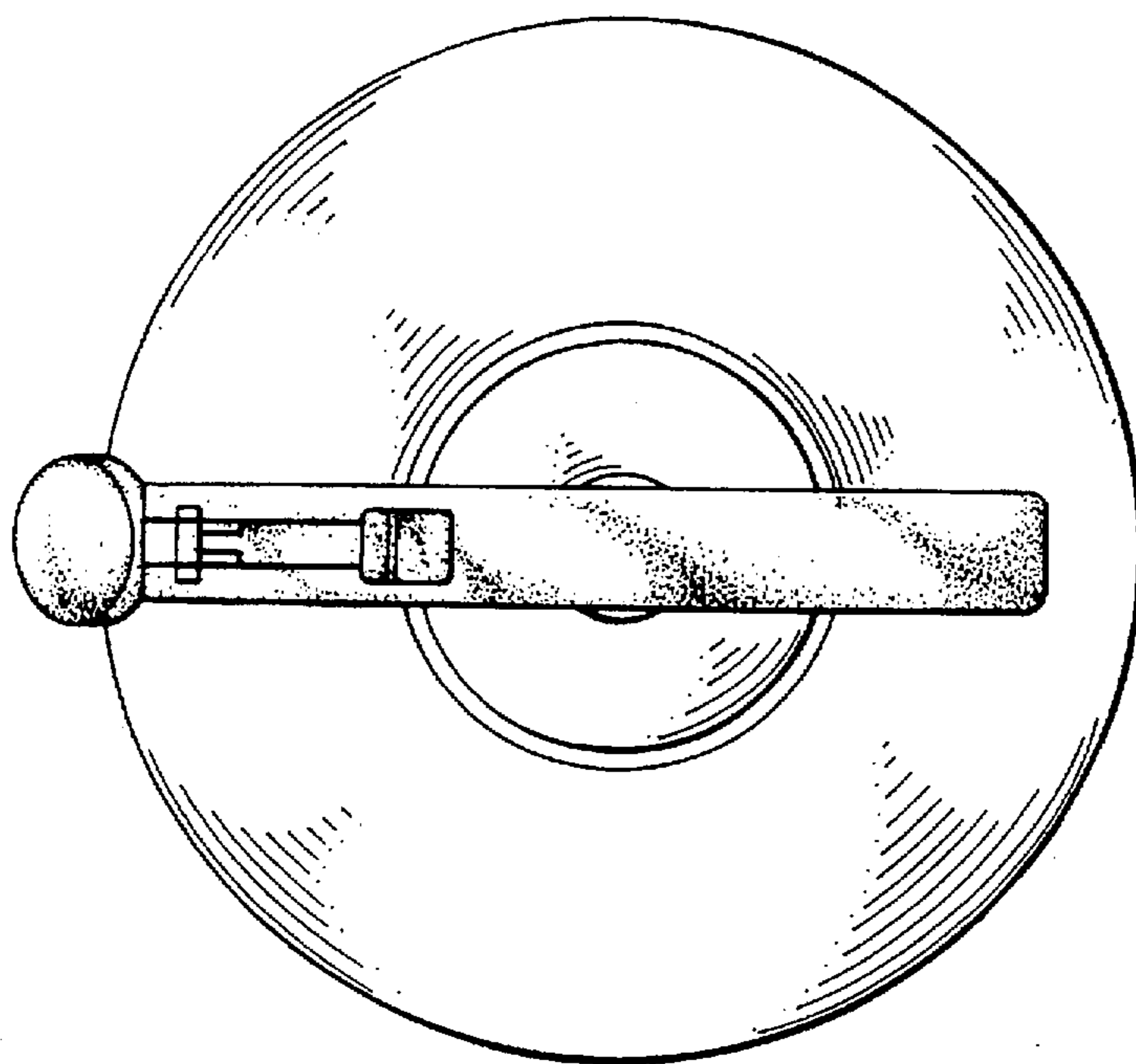


FIG. 6

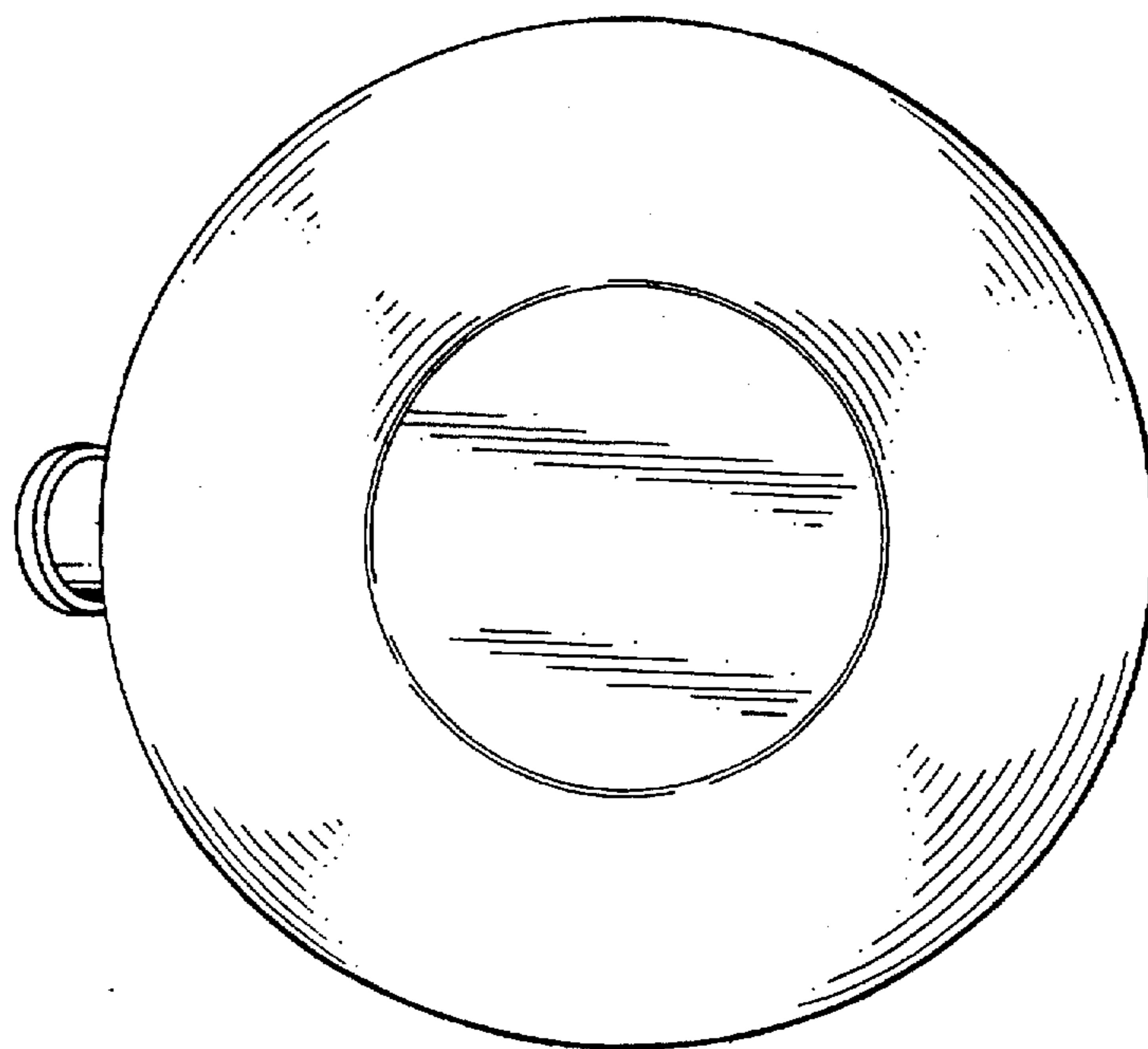


FIG. 7