



US00D407937S

United States Patent [19]

Klimenko

[11] Patent Number: **Des. 407,937**

[45] Date of Patent: ****Apr. 13, 1999**

[54] **TRUNDLE BED**

D. 391,435 3/1998 Song et al. D6/604
4,885,811 12/1989 Hayes 5/81.1 T

[75] Inventor: **K. "Conny" Klimenko**, Los Angeles, Calif.

Primary Examiner—Janice E. Seeger
Attorney, Agent, or Firm—Dougherty & Troxell

[73] Assignee: **Sevylor U.S.A., Inc.**, Los Angeles, Calif.

[57] **CLAIM**

[**] Term: **14 Years**

The ornamental design for a trundle bed, as shown and described.

[21] Appl. No.: **29/087,085**

DESCRIPTION

[22] Filed: **Apr. 27, 1998**

[51] LOC (6) Cl. **06-09**

FIG. 1 is a perspective view of a trundle bed showing our new design;

[52] U.S. Cl. **D6/596; D6/601; D6/604; D6/605**

FIG. 2 is a front elevational view thereof;

[58] **Field of Search** D6/595, 596, 601, D6/604, 605, 382; 5/630, 633, 634, 636, 644, 645, 417, 420, 706, 710, 652, 654, 711, 655.9, 656, 727

FIG. 3 is a rear elevational view thereof;

FIG. 4 is a side elevational view thereof;

FIG. 5 is an elevational view of the side opposite to FIG. 4;

FIG. 6 is a top plan view thereof;

FIG. 7 is a bottom plan view thereof; and,

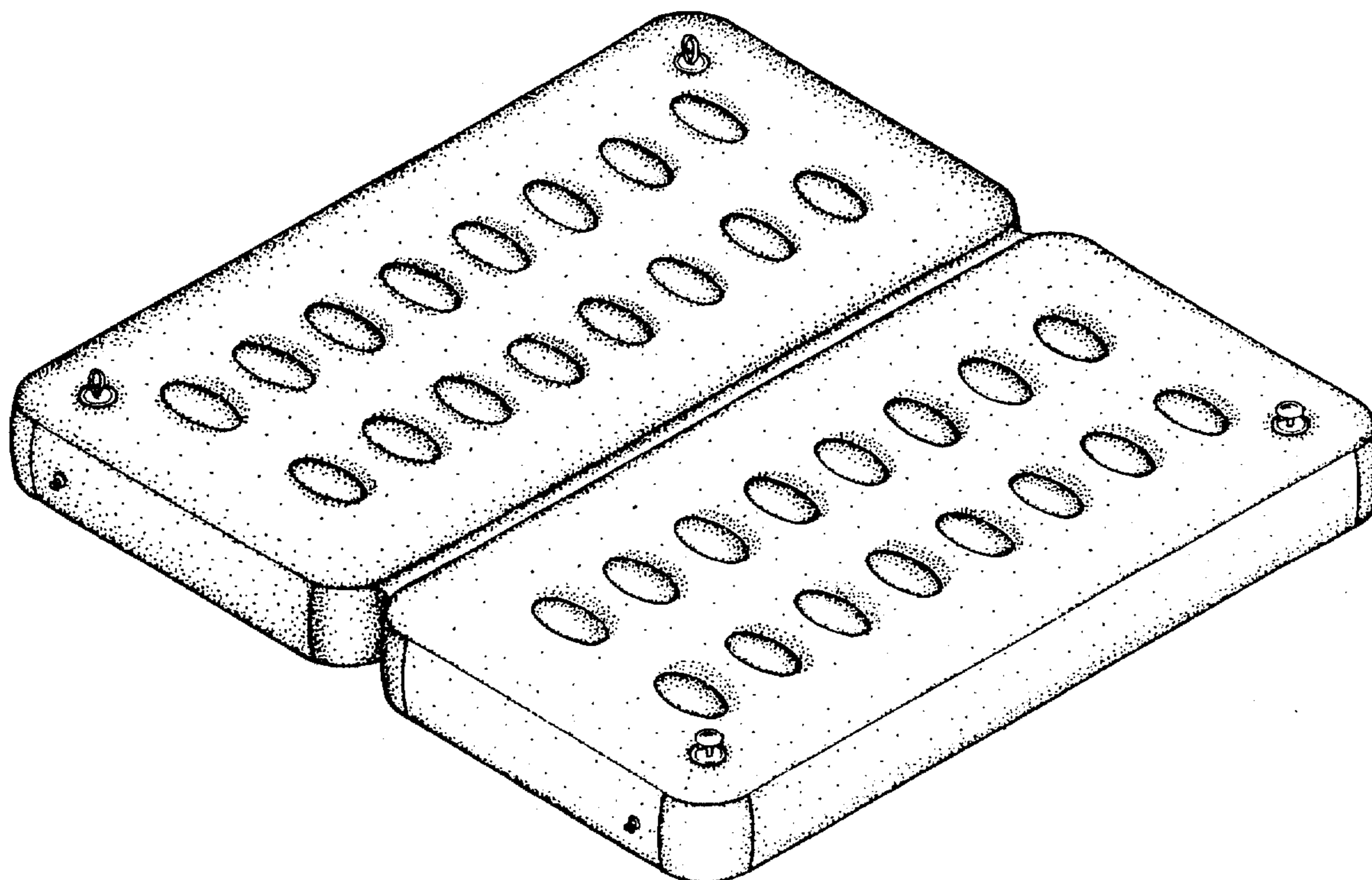
FIG. 8 is a folding perspective view thereof.

[56] **References Cited**

U.S. PATENT DOCUMENTS

D. 366,383 1/1996 Briegleb D6/601

1 Claim, 8 Drawing Sheets



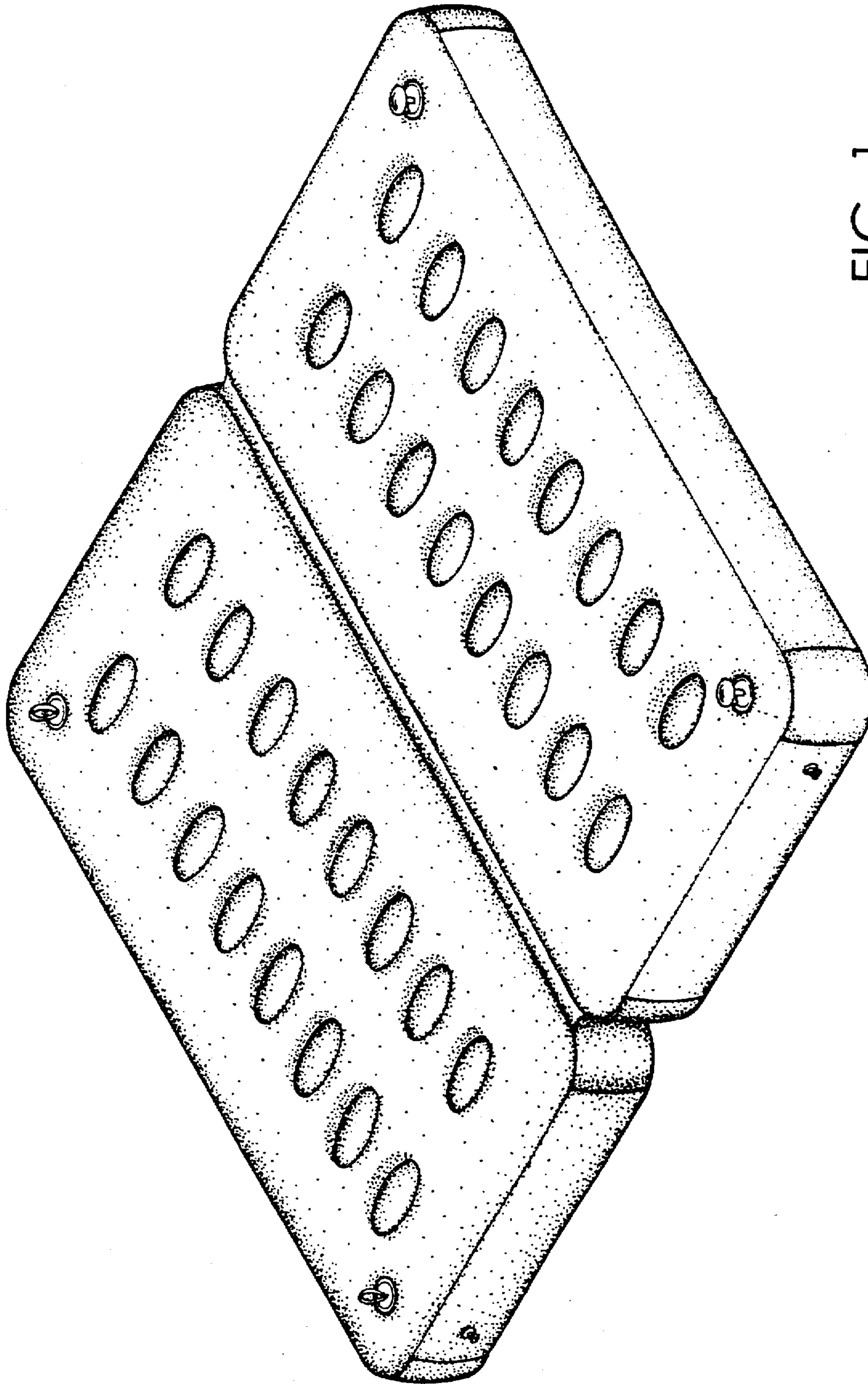


FIG. 1

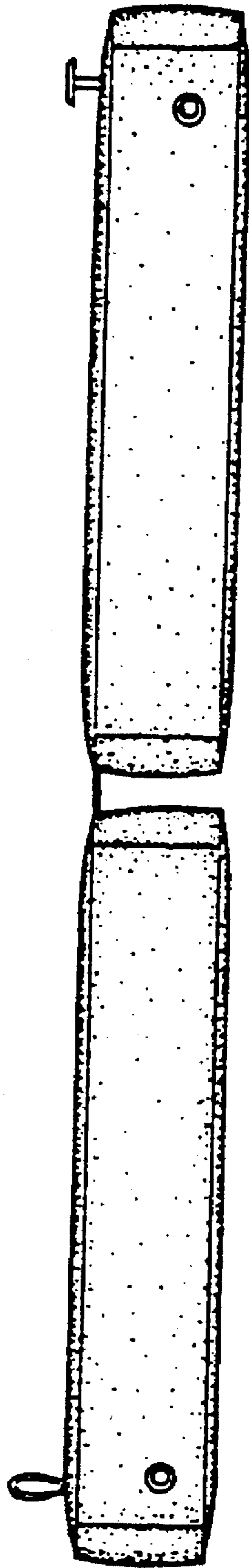


FIG. 2

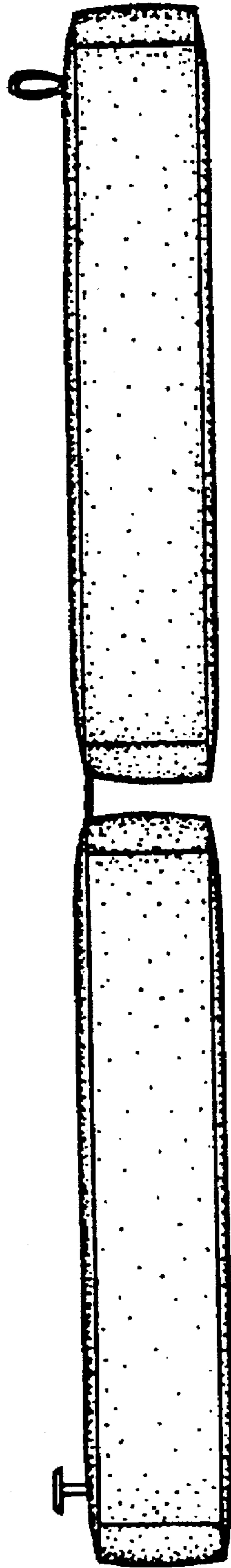


FIG. 3

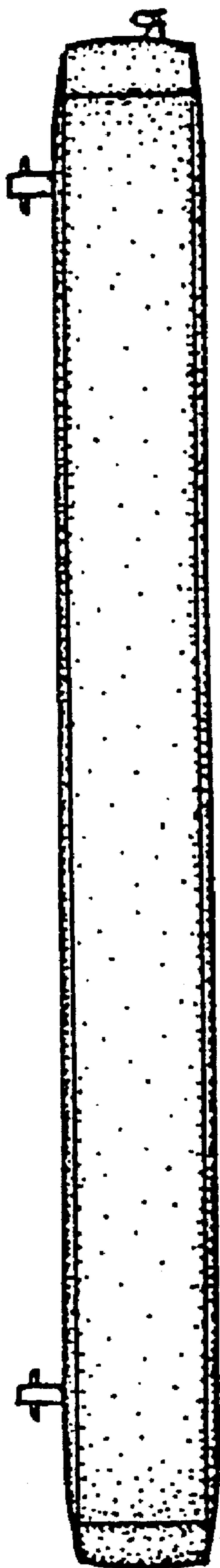


FIG. 4

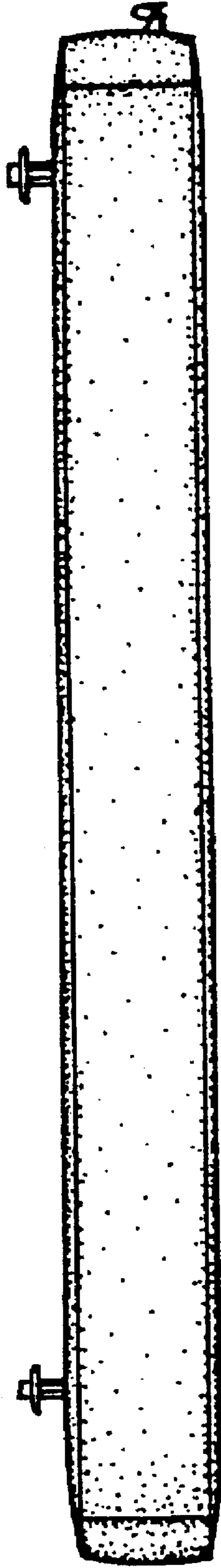


FIG. 5

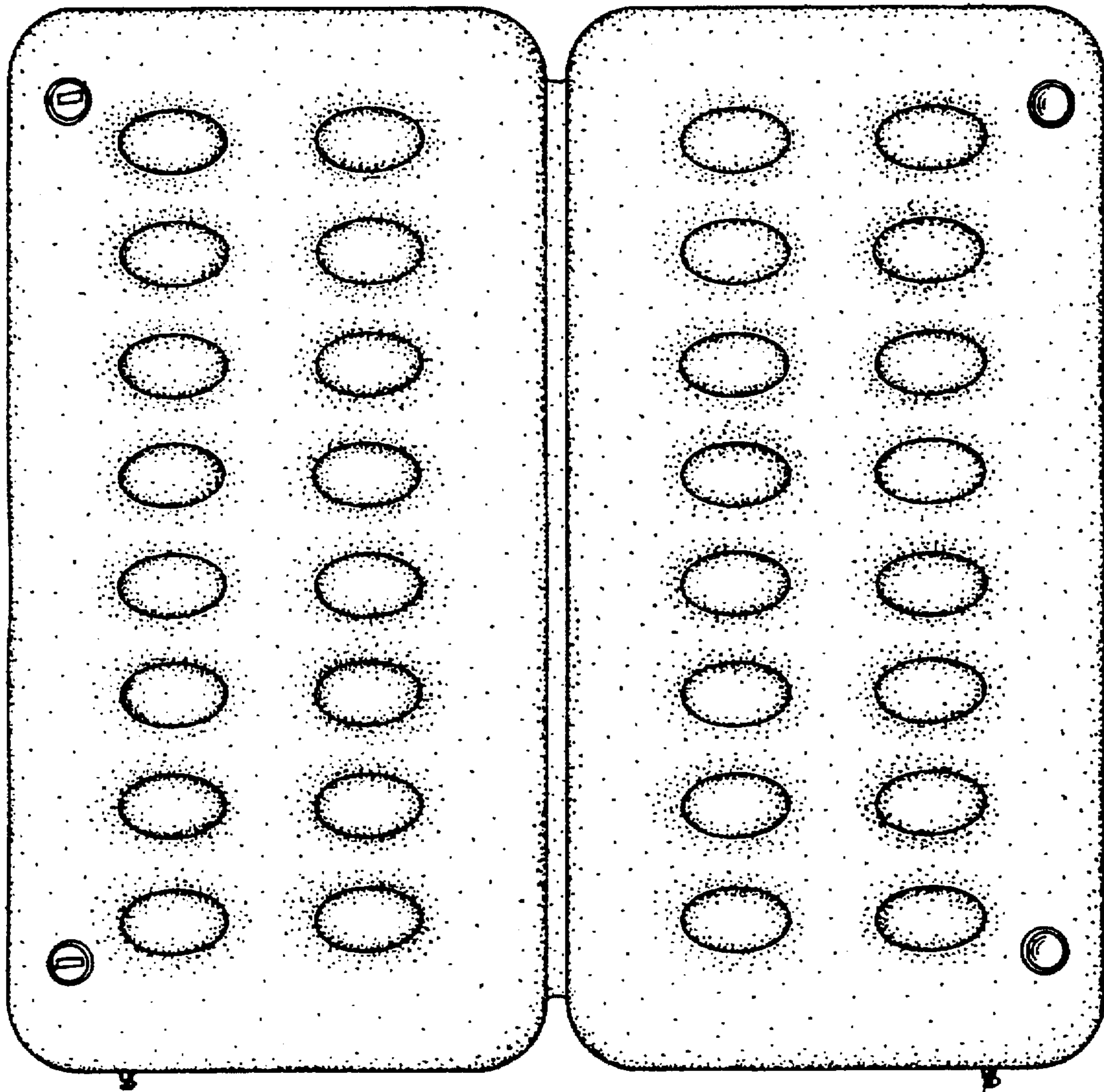


FIG. 6

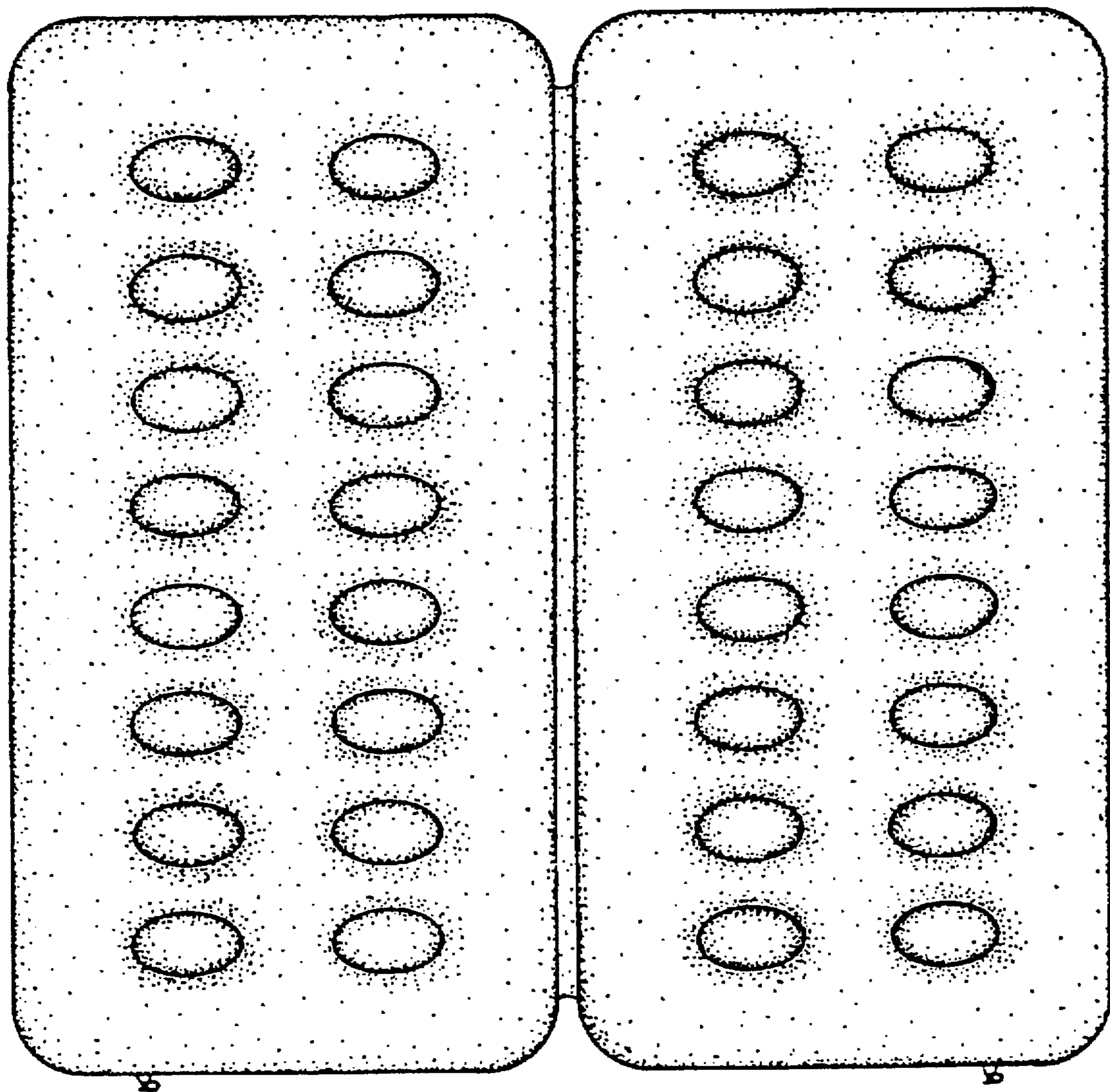


FIG. 7

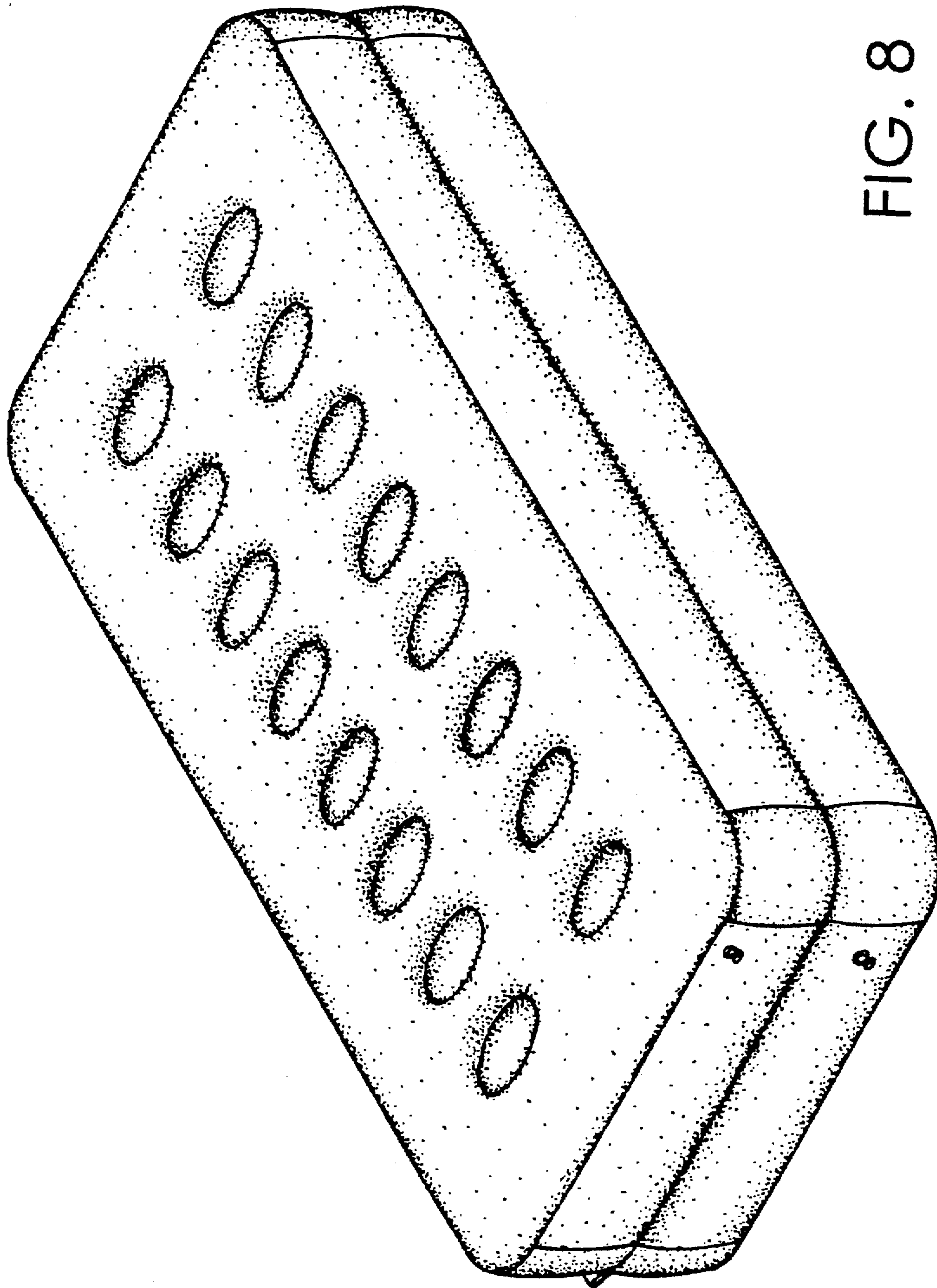


FIG. 8