



US00D407934S

United States Patent [19]

[11] Patent Number: **Des. 407,934**

Wojtowicz et al.

[45] Date of Patent: ****Apr. 13, 1999**

[54] CORNER CADDY

D. 379,891 6/1997 Hampshire D6/525
D. 397,570 9/1998 Hoernig D6/567 X

[75] Inventors: **Paul M. Wojtowicz**, Downingtown, Pa.; **James A. Hofman**, Hockessin, Del.

Primary Examiner—Brian N. Vinson
Attorney, Agent, or Firm—Edgar A. Zarins; Leon E. Redman

[73] Assignee: **Zenith Products Corp.**, New Castle, Del.

[**] Term: **14 Years**

[57] CLAIM

[21] Appl. No.: **29/086,294**

The ornamental design for a corner caddy, as shown and described.

[22] Filed: **Apr. 9, 1998**

DESCRIPTION

[51] LOC (6) Cl. **07-07**

FIG. 1 is a perspective view of a corner caddy showing our new design;

[52] U.S. Cl. **D6/562; D6/525**

FIG. 2 is a front left elevational view thereof;

[58] Field of Search D6/524, 525, 562,

FIG. 3 is a front right elevational view thereof;

D6/567; D3/304, 314; 206/77.1, 207, 581,

FIG. 4 is a rear left elevational view thereof;

349, 557, 823; 211/13, 70.7, 71, 74-75,

FIG. 5 is a rear right elevational view thereof;

86, 88, 126; 248/309.1, 311.2, 201, 205.5

FIG. 6 is a top plan view thereof; and,

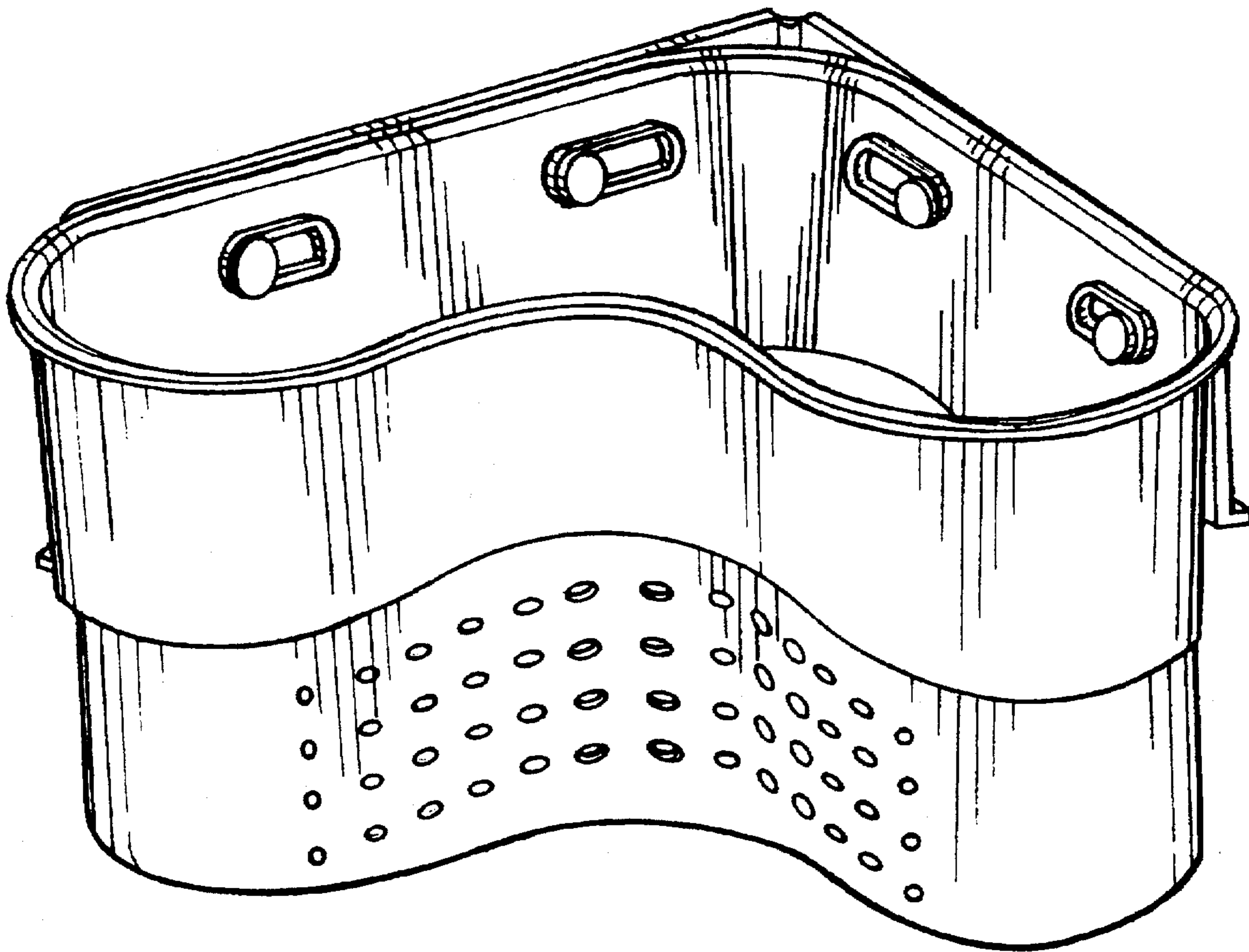
[56] References Cited

FIG. 7 is a bottom plan view thereof.

U.S. PATENT DOCUMENTS

D. 362,780 10/1995 Hampshire D6/525 X

1 Claim, 4 Drawing Sheets



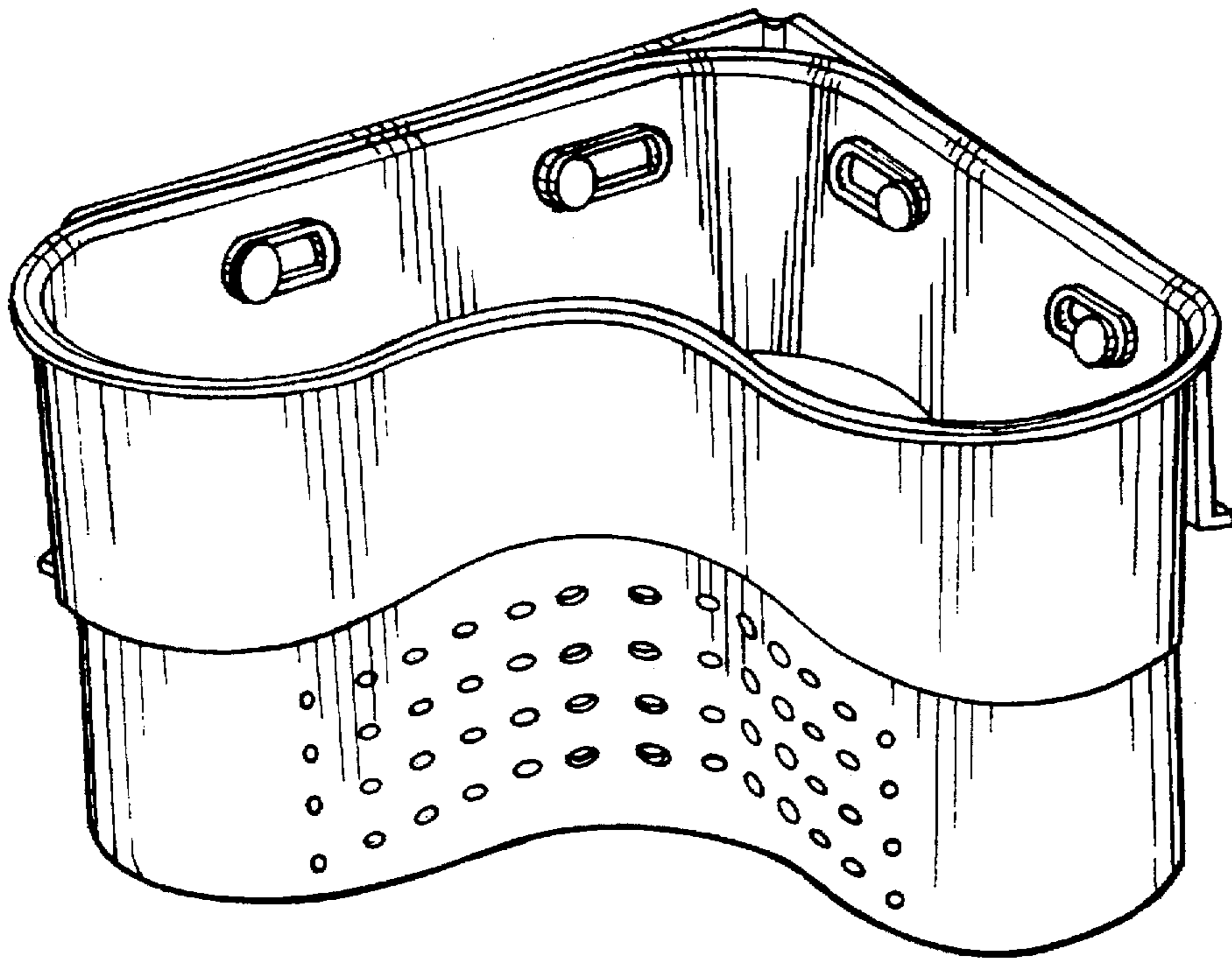


Fig-1

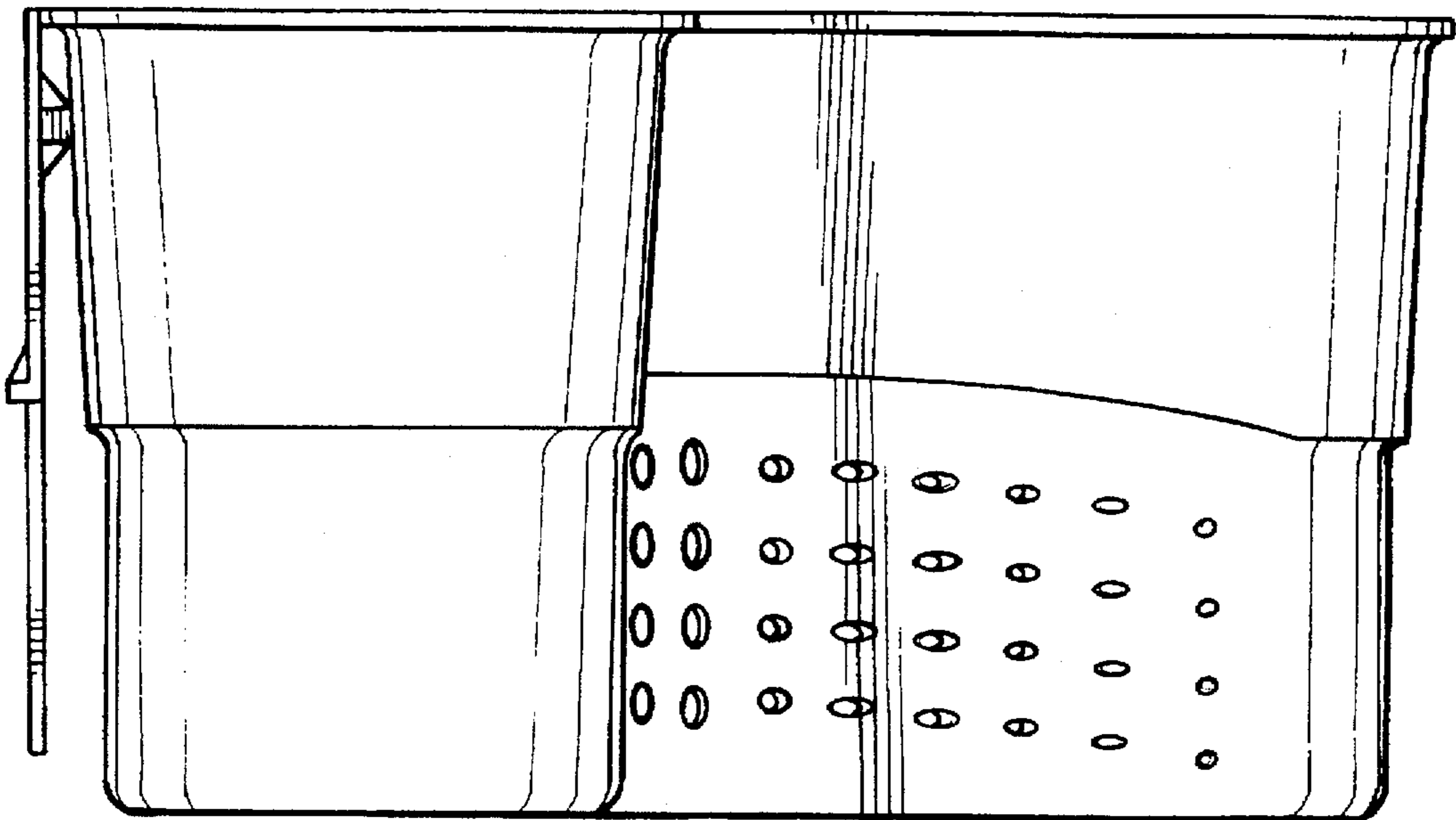


Fig-2

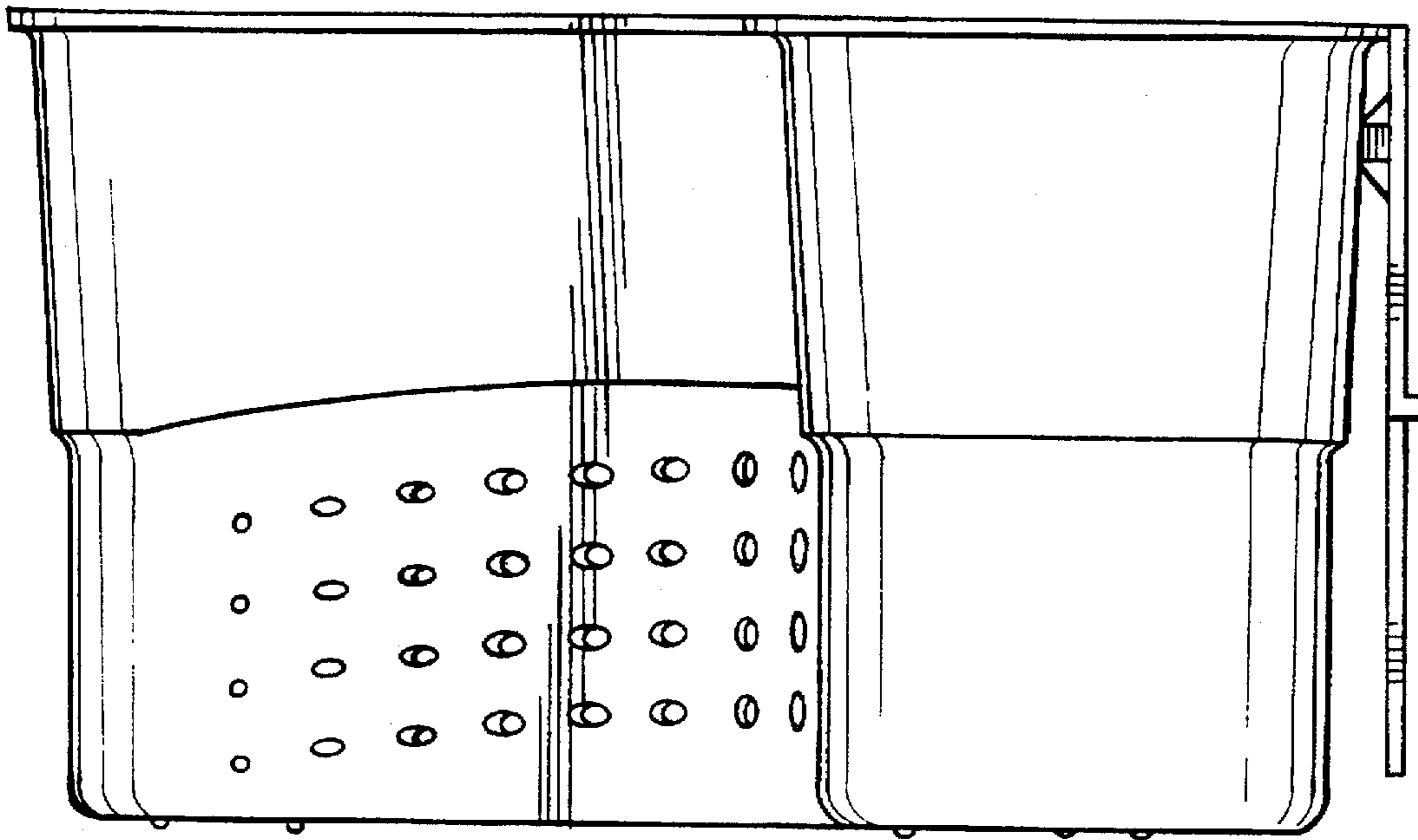


Fig-3

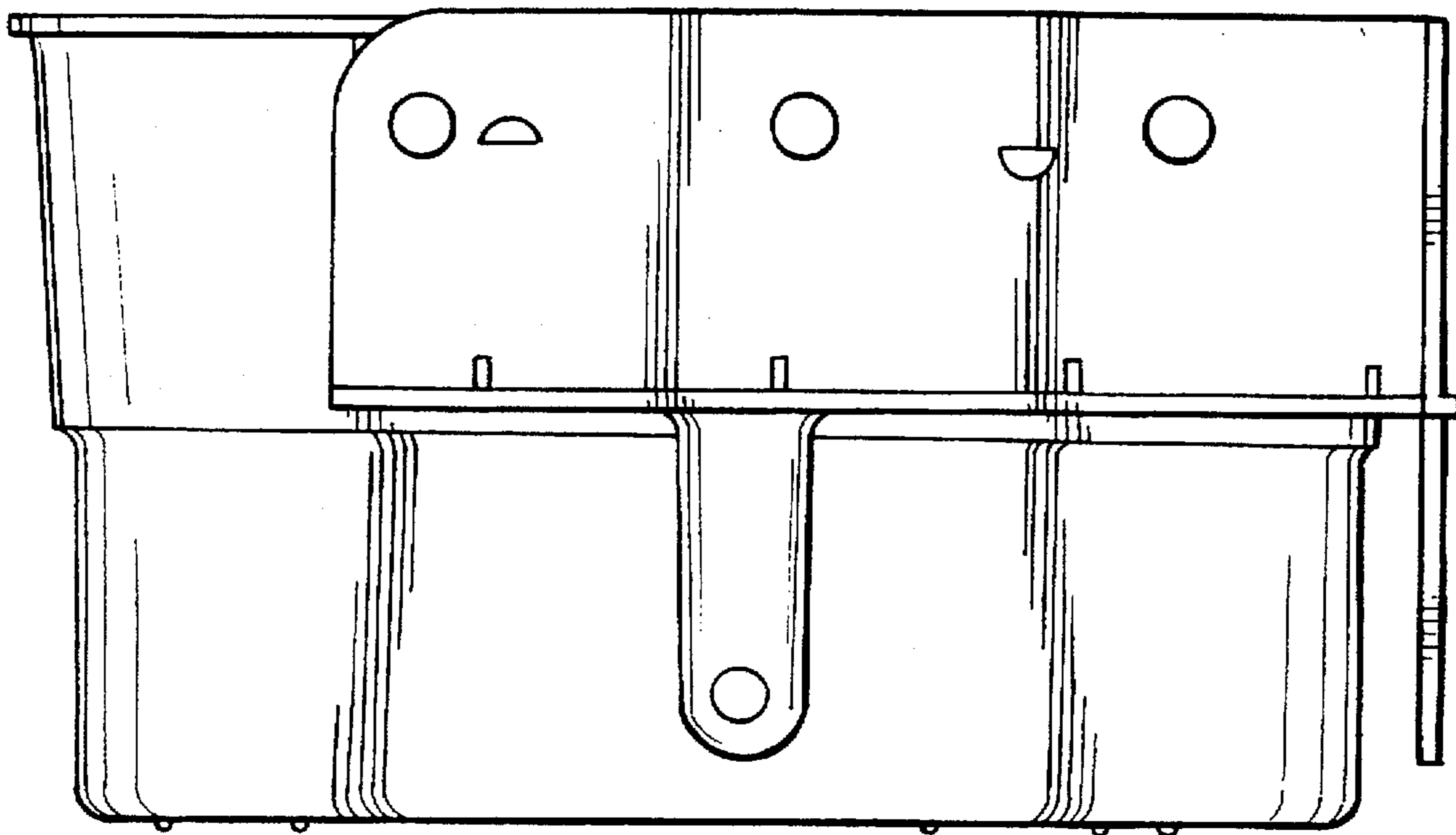


Fig-4

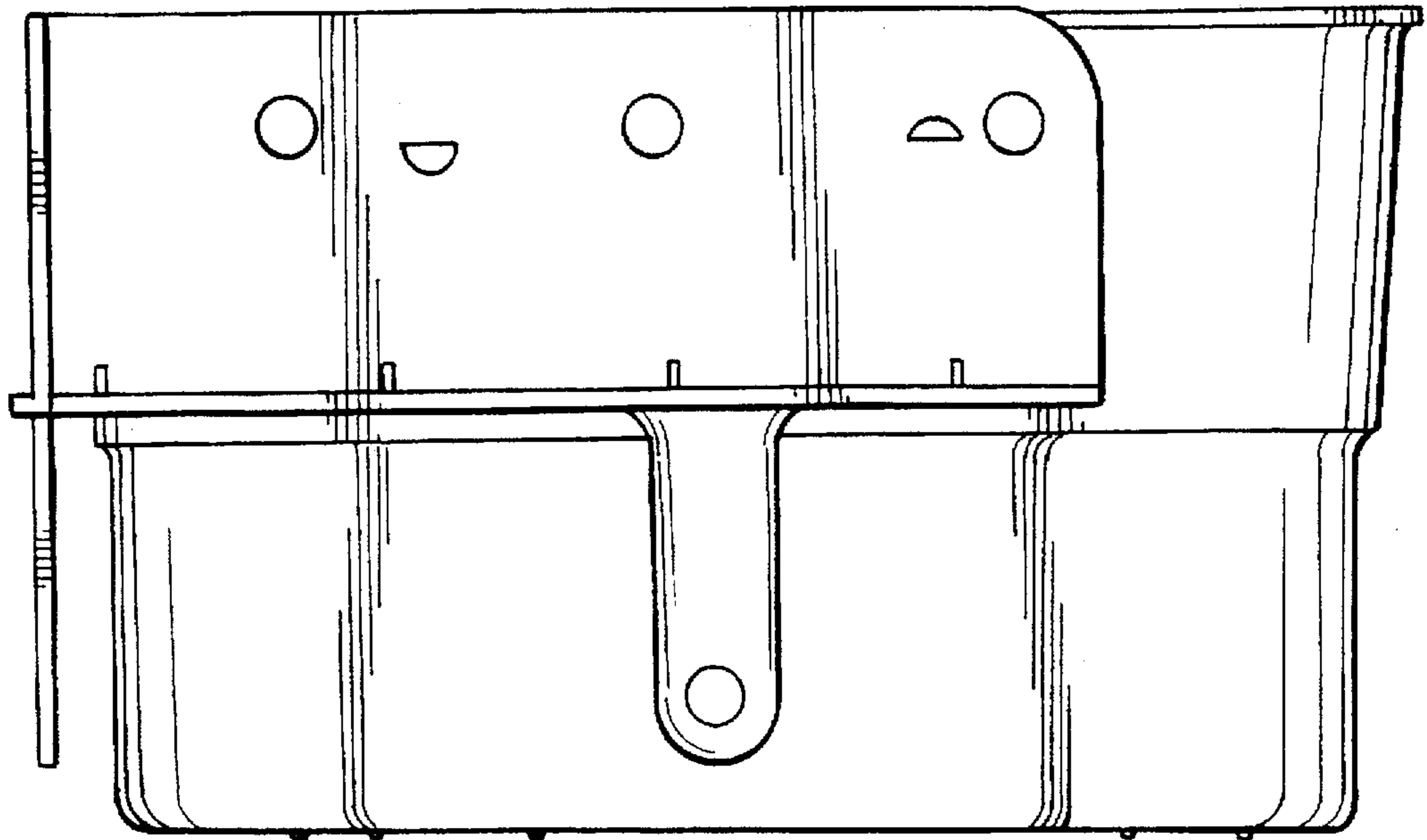


Fig-5

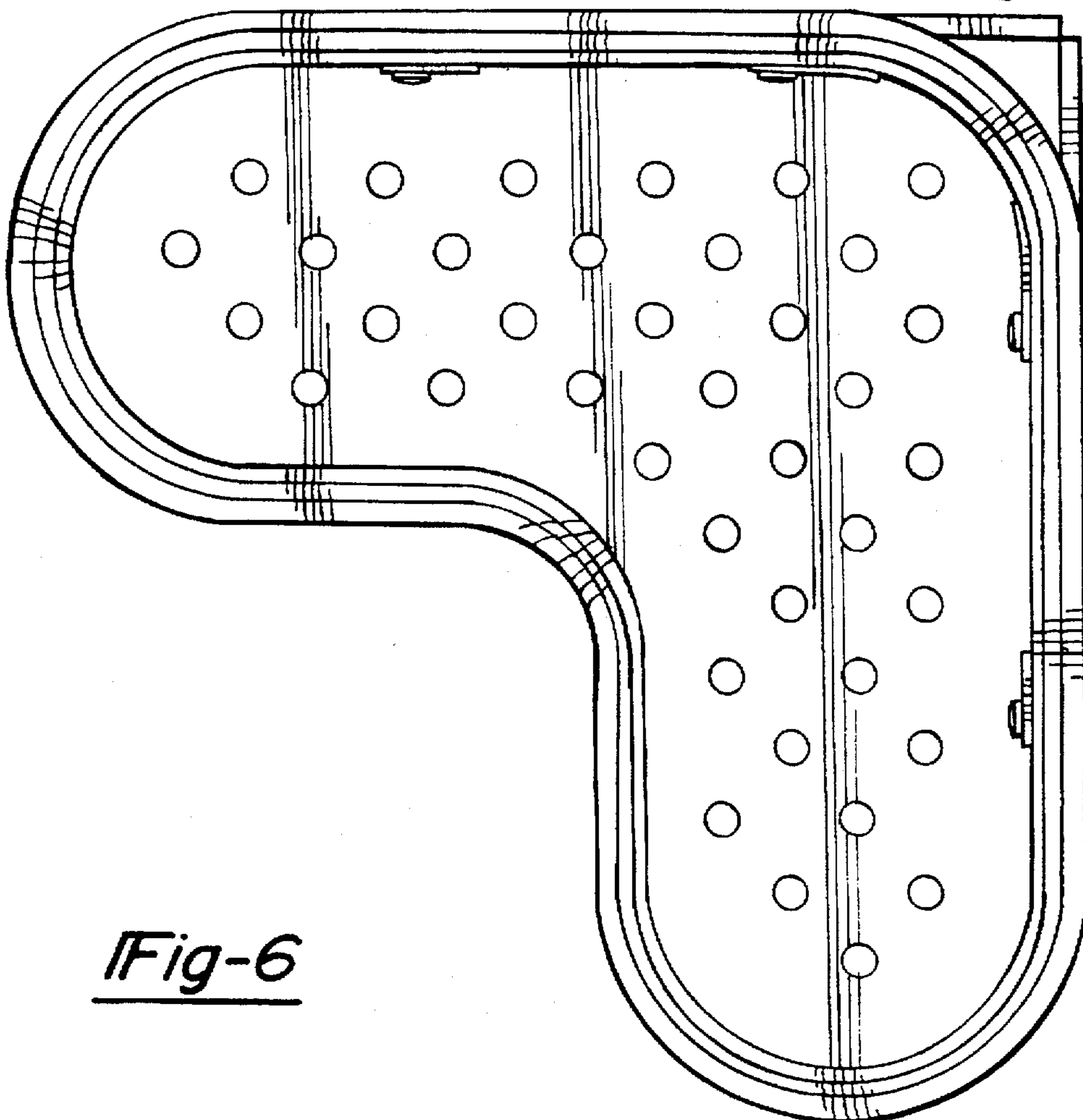


Fig-6

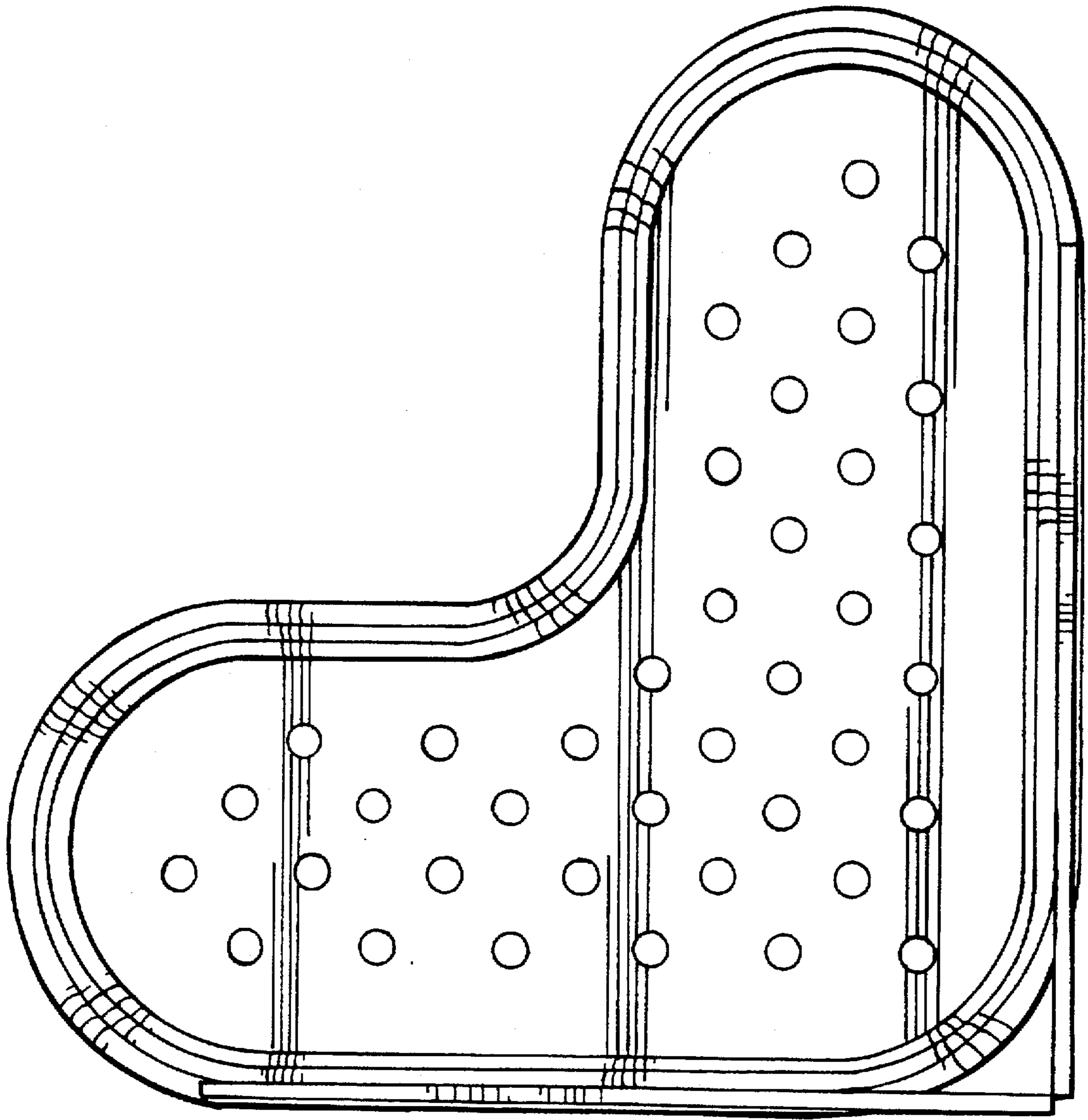


Fig-7