



US00D407932S

United States Patent [19]

Sweetman

[11] Patent Number: **Des. 407,932**

[45] Date of Patent: ****Apr. 13, 1999**

[54] TOWEL BAR

[75] Inventor: **Charles H. Sweetman**, Northridge, Calif.

[73] Assignee: **Creative Specialties, Inc.**, Sylmar, Calif.

[**] Term: **14 Years**

[21] Appl. No.: **29/082,275**

[22] Filed: **Jan. 20, 1998**

[51] LOC (6) Cl. **07-07**

[52] U.S. Cl. **D6/549**

[58] Field of Search D6/546-550, 518, D6/522, 523; 242/570, 600, 598; 312/34.8; 206/389; 211/13, 16, 86-88, 105.1, 105.2

[56] **References Cited**

U.S. PATENT DOCUMENTS

- D. 318,590 7/1991 McKeone D6/524
- D. 337,230 7/1993 Wang D6/550

- D. 357,379 4/1995 Lehn et al. D6/549
- D. 361,006 8/1995 Sharpe D6/524
- D. 362,361 9/1995 Lehn et al. D6/523
- D. 374,361 10/1996 Lehn et al. D6/523
- D. 386,923 12/1997 Moore D6/523
- D. 388,272 12/1997 Moore D6/549

Primary Examiner—Brian N. Vinson
Attorney, Agent, or Firm—Dorn, McEachran, Jambor & Keating

[57] **CLAIM**

The ornamental design for a towel bar, as shown and described.

DESCRIPTION

FIG. 1 is a front view of a towel bar showing my new design; FIG. 2 is a top view thereof, the bottom being a mirror image of the top; and,

FIG. 3 is a right side view thereof, the left side being a mirror image of the right side.

The bar portion is shown broken-away in the views to indicate indeterminate length.

1 Claim, 1 Drawing Sheet

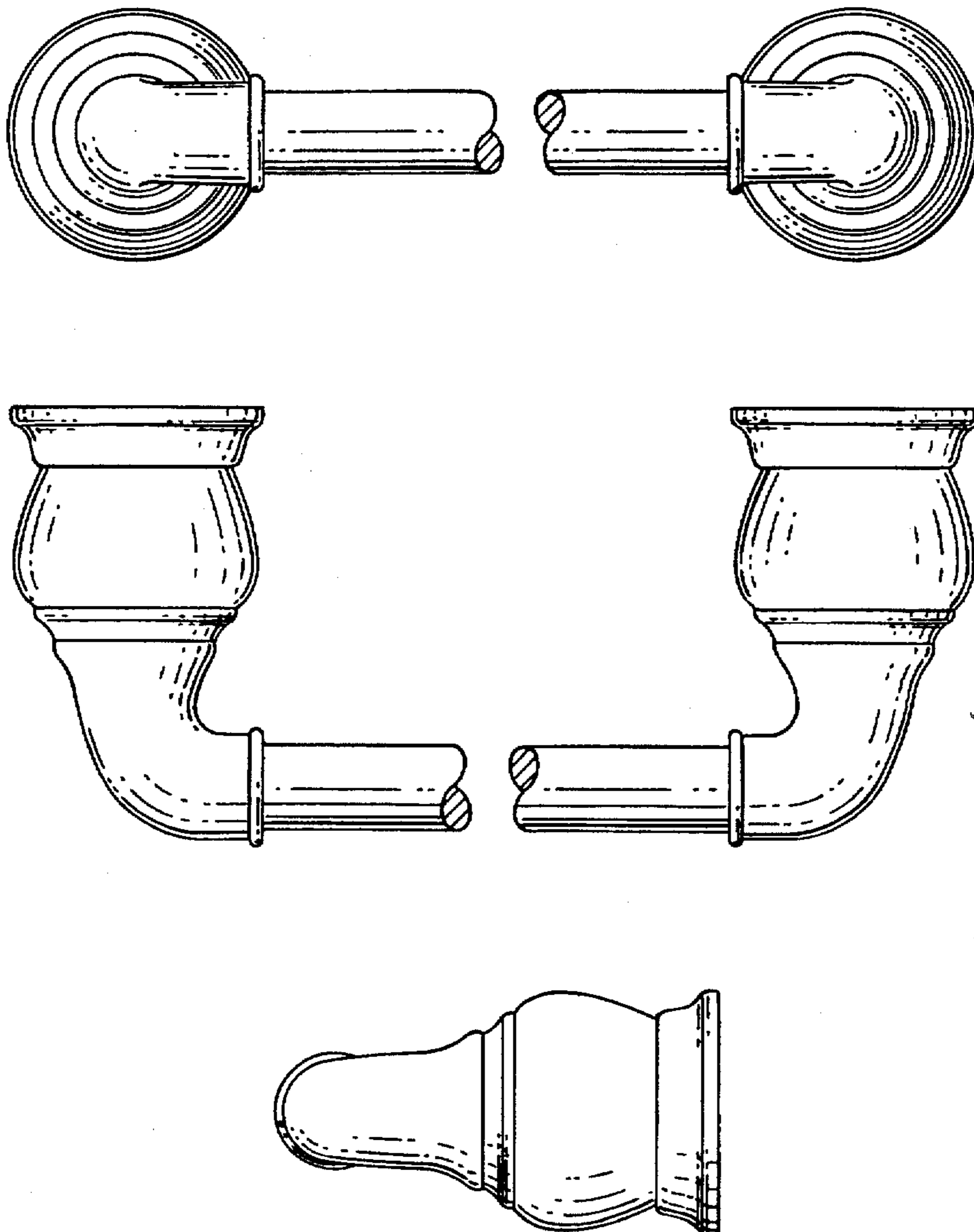


FIG. 1.

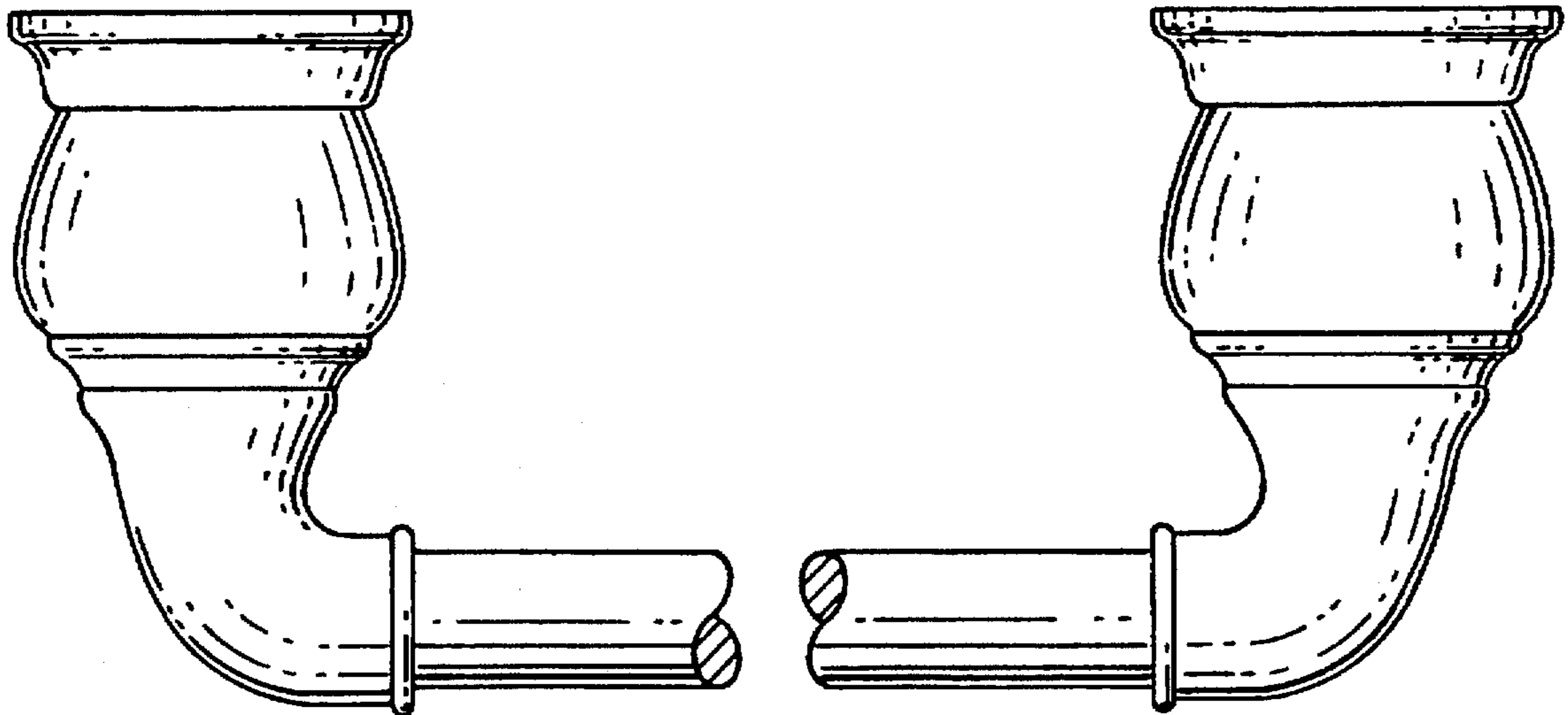
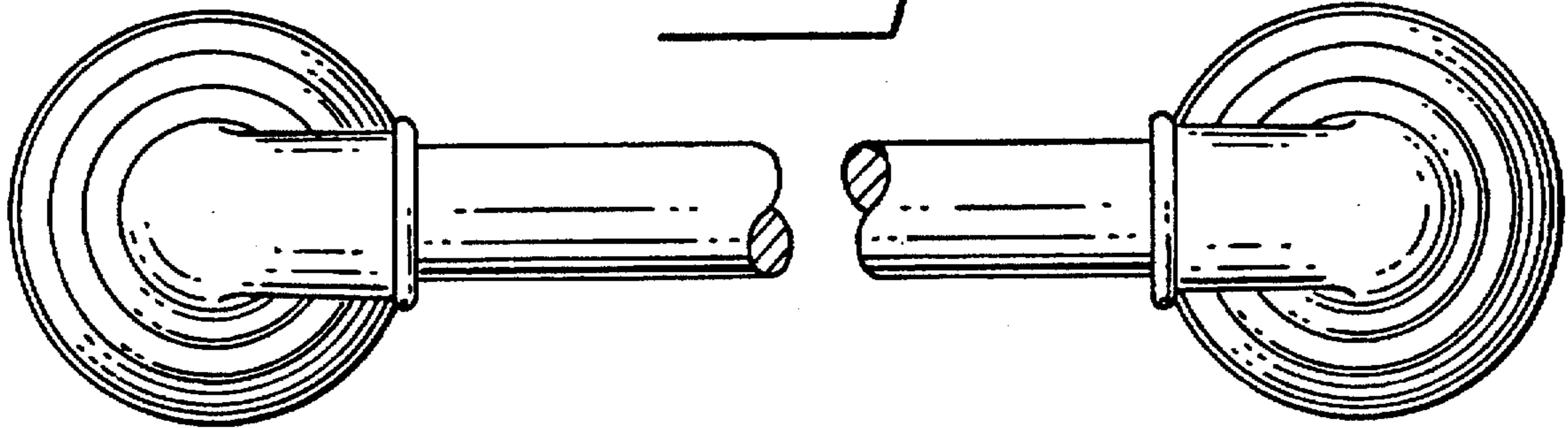


FIG. 2.

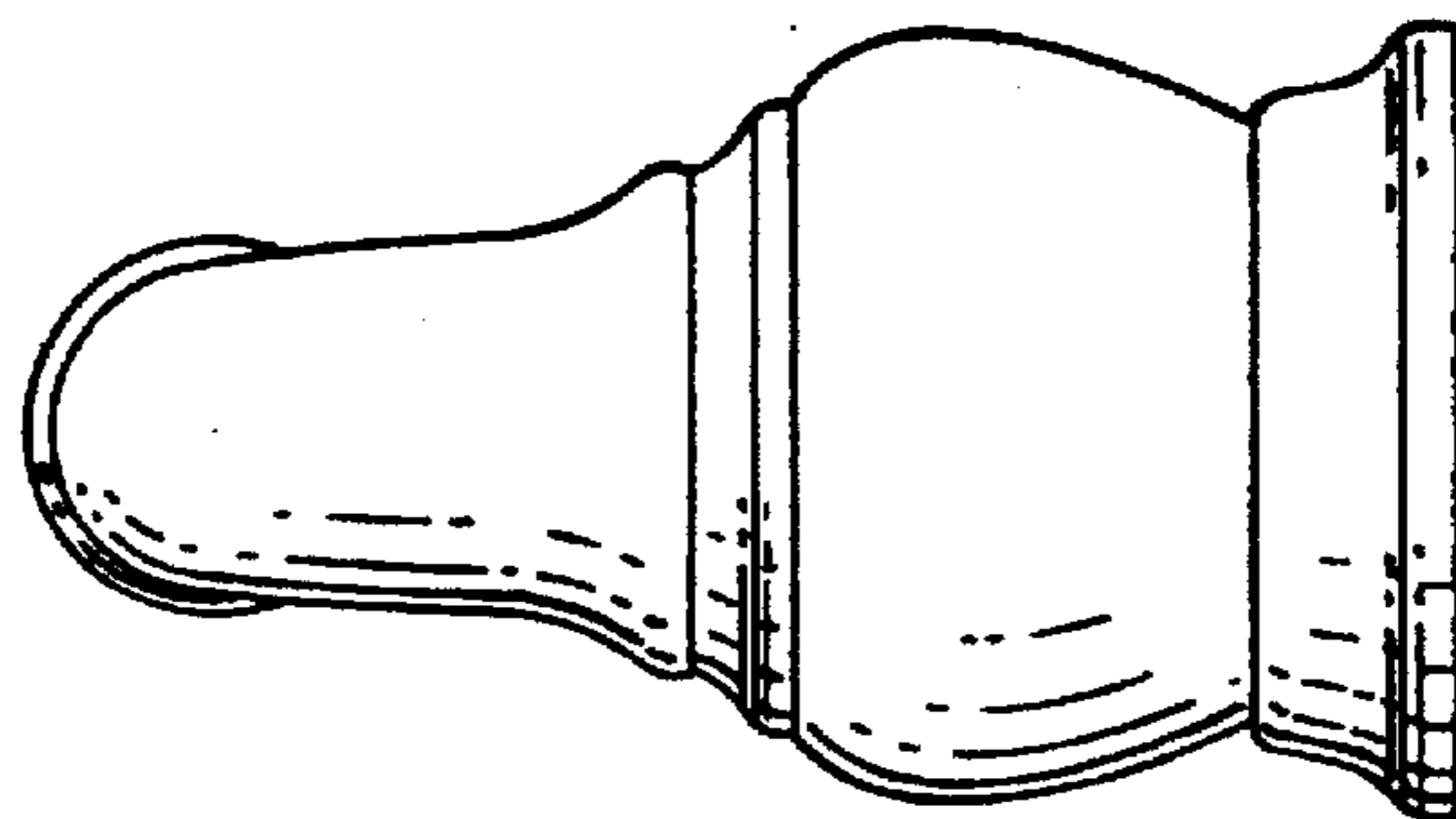


FIG. 3.