



US00D407927S

**United States Patent** [19]  
**Zaidman**

[11] **Patent Number: Des. 407,927**

[45] **Date of Patent: \*\*Apr. 13, 1999**

[54] **HEADBOARD**

[75] **Inventor: S. Paul Zaidman, Winnipeg, Canada**

[73] **Assignee: Palliser Furniture Ltd., Winnipeg, Canada**

[\*\*] **Term: 14 Years**

[21] **Appl. No.: 29/082,885**

[22] **Filed: Jan. 30, 1998**

[51] **LOC (6) Cl. .... 06-01**

[52] **U.S. Cl. .... D6/505**

[58] **Field of Search ..... D6/382-384, 388-395, D6/505-508; 5/53.1, 279.1, 280, 281, 907**

[56] **References Cited**

**U.S. PATENT DOCUMENTS**

- D. 349,623 8/1994 Bargagli-Stoffi ..... D6/505
- D. 393,163 4/1998 Zaidman ..... D6/505

**OTHER PUBLICATIONS**

Catalogue photos of Palliser series 232-B, 232-C, 232-F, 232-O Master Bedroom, Oct. 1991.

Catalogue photos of Palliser series 235-B, 235-C, 235-D, 235-E, 235-F, 235-L Master Bedroom, Jan. 1992.

Furniture Today, Jan. 10, 1994, headboard at top.

*Primary Examiner*—Janice E. Seeger  
*Attorney, Agent, or Firm*—Clifford W. Browning; Woodard, Emhardt, Naughton Moriarty & McNett

[57] **CLAIM**

The ornamental design for a headboard, as shown and described.

**DESCRIPTION**

FIG. 1 is a front elevational view of a headboard, showing my new design;

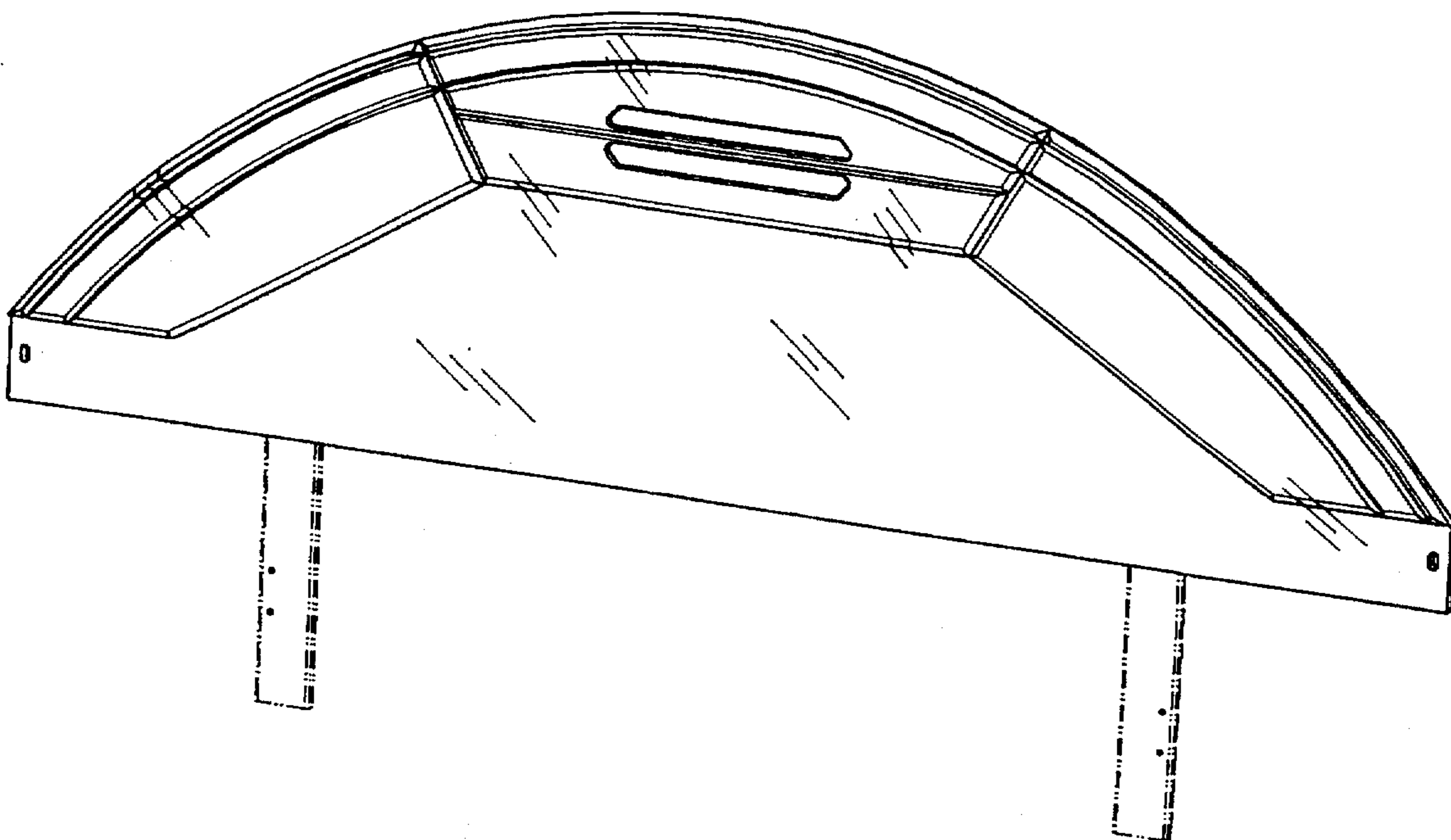
FIG. 2 is a front, left side perspective view of the design, and the front, right side perspective view is a mirror image;

FIG. 3 is a partial cross-sectional view at A-A in FIG. 1; and,

FIG. 4 is a right side view of the design, and the left side view is the mirror image;

The broken lines are for environmental purposes only and form no part of the claimed design.

**1 Claim, 4 Drawing Sheets**



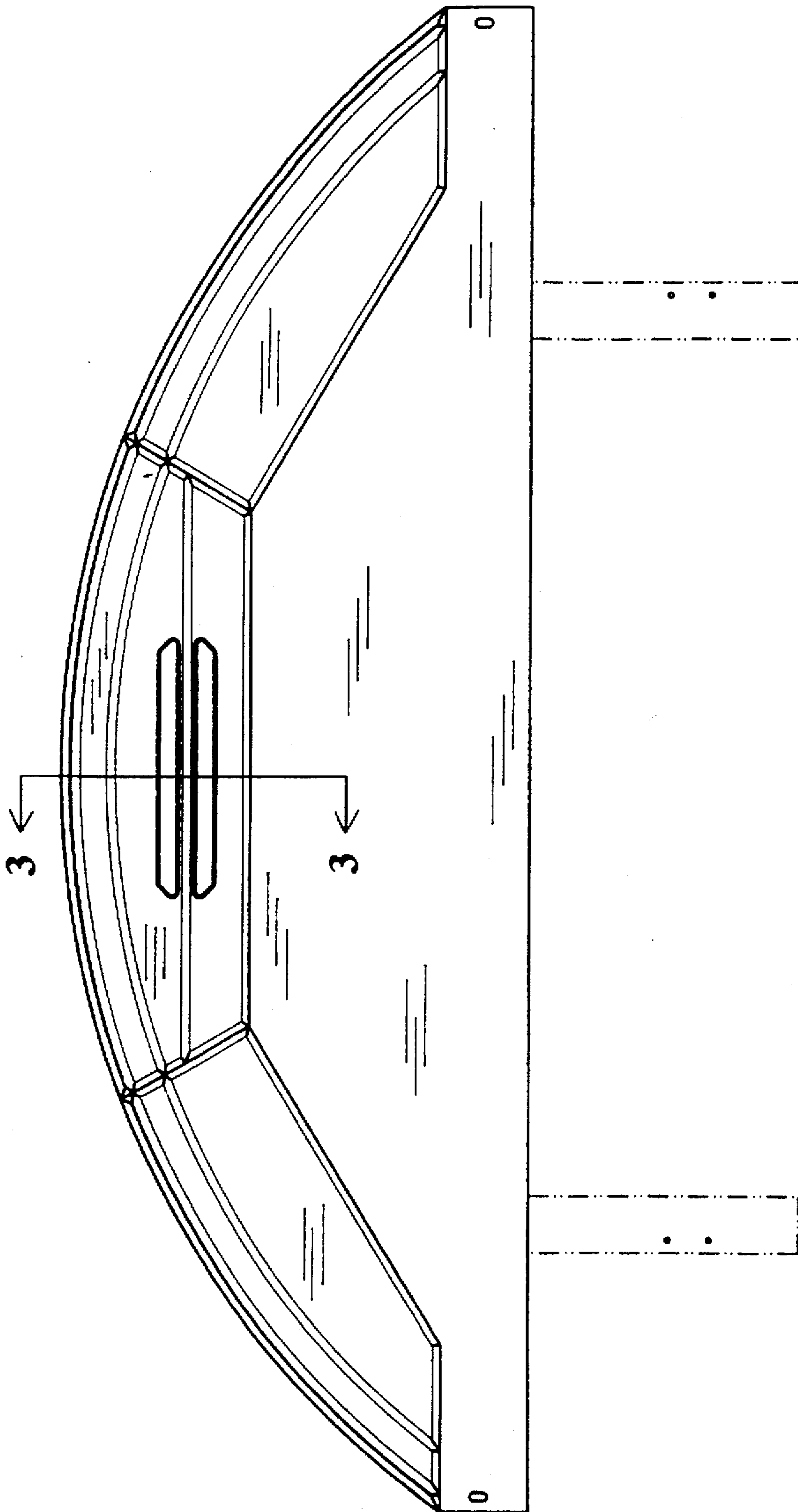


FIG. 1

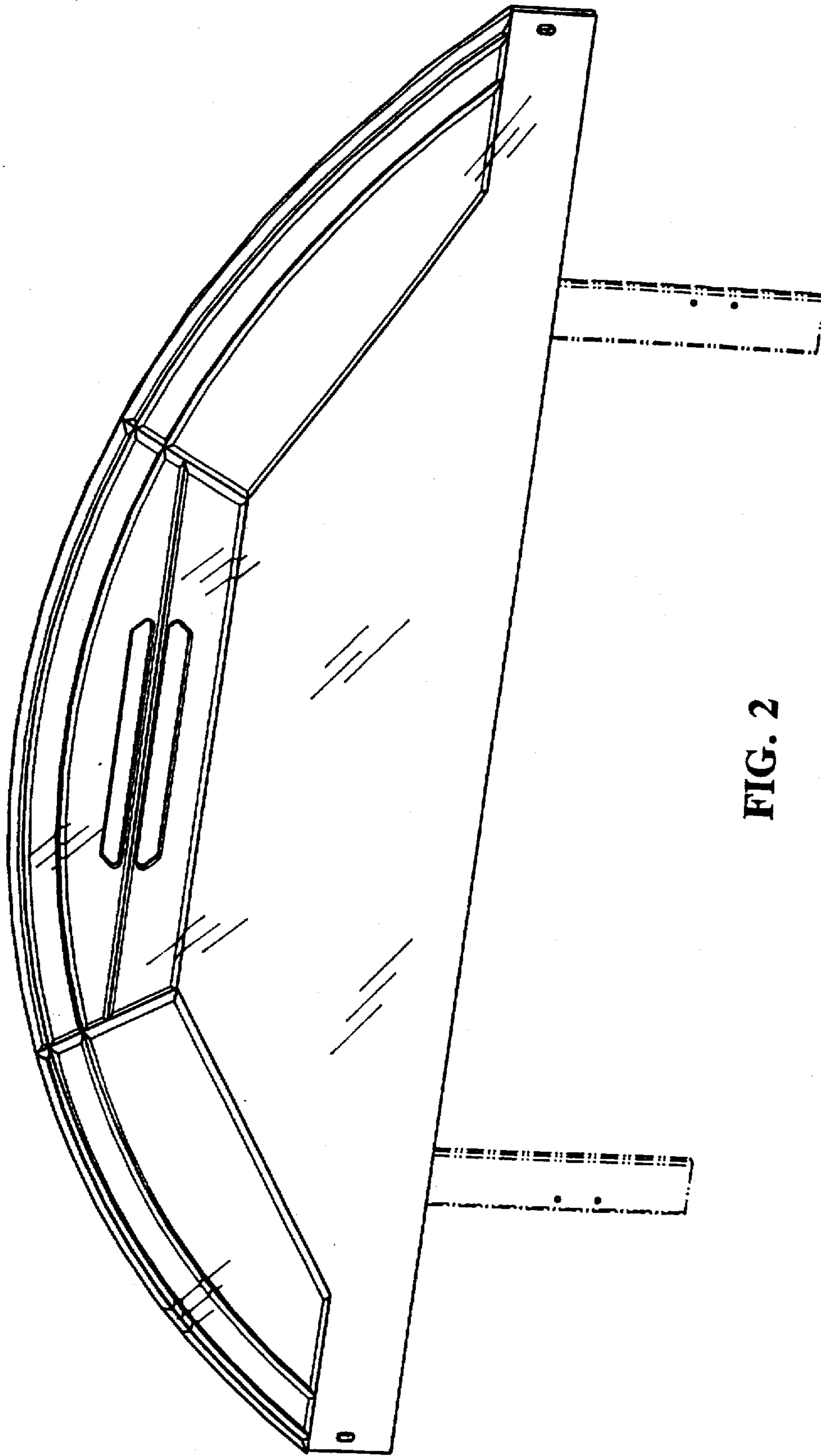


FIG. 2

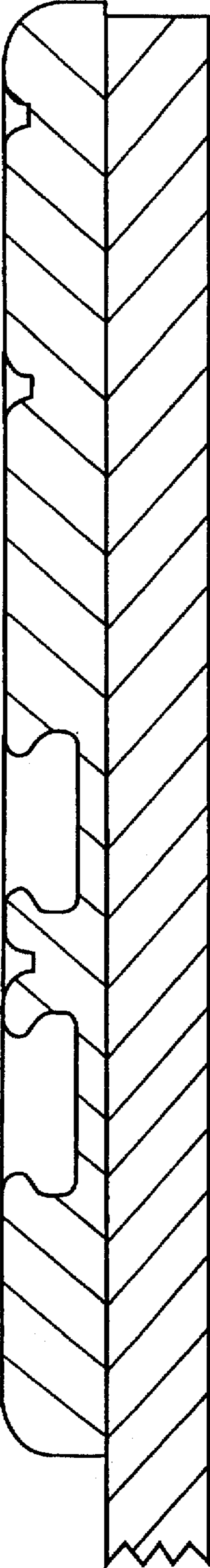


FIG. 3



FIG. 4