



US00D407923S

# United States Patent [19]

## Le Hyaric

[11] Patent Number: **Des. 407,923**

[45] Date of Patent: **\*\*Apr. 13, 1999**

### [54] STACKABLE STORAGE ELEMENT

[75] Inventor: **Daniel Le Hyaric**, Redon, France

[73] Assignee: **L.H.F.**, Redon, France

[\*\*] Term: **14 Years**

[21] Appl. No.: **29/086,248**

[22] Filed: **Apr. 8, 1998**

### [30] Foreign Application Priority Data

Oct. 22, 1997 [FR] France ..... 976232

[51] LOC (6) Cl. .... **06-04**

[52] U.S. Cl. .... **D6/477**

[58] Field of Search ..... D6/475-479; 52/596;  
D7/701, 708; 108/59, 60, 91; 211/49.1,  
74, 126.1, 186-188, 134, 153; D25/116,  
114, 118

### [56] References Cited

#### U.S. PATENT DOCUMENTS

D. 236,777 9/1975 Loomis ..... D6/479  
D. 264,659 6/1982 Markas ..... D6/478

D. 265,958 8/1982 Markas ..... D6/478  
D. 276,110 10/1984 Savelkouls ..... D6/478 X  
D. 316,904 5/1991 Forsberg ..... D25/114  
D. 330,652 11/1992 Goetz ..... D6/479  
D. 393,553 4/1998 Beggs ..... D6/478  
4,630,740 12/1986 Belokin, Jr. .... 211/194

*Primary Examiner*—James Gandy  
*Assistant Examiner*—Linda Brooks  
*Attorney, Agent, or Firm*—Mathews, Collins, Shepherd & Gould, P.A.

### [57] CLAIM

The ornamental design for a stackable storage element, as shown and described.

### DESCRIPTION

FIG. 1 is a front and side perspective view of a stackable storage element, showing my new design;  
FIG. 2 is a front elevational view thereof;  
FIG. 3 is a side elevational view thereof from the left of FIG. 2, the side elevational view from the right of FIG. 2 being the mirror image;  
FIG. 4 is a top plan view thereof; and,  
FIG. 5 is a bottom plan view thereof.

**1 Claim, 1 Drawing Sheet**

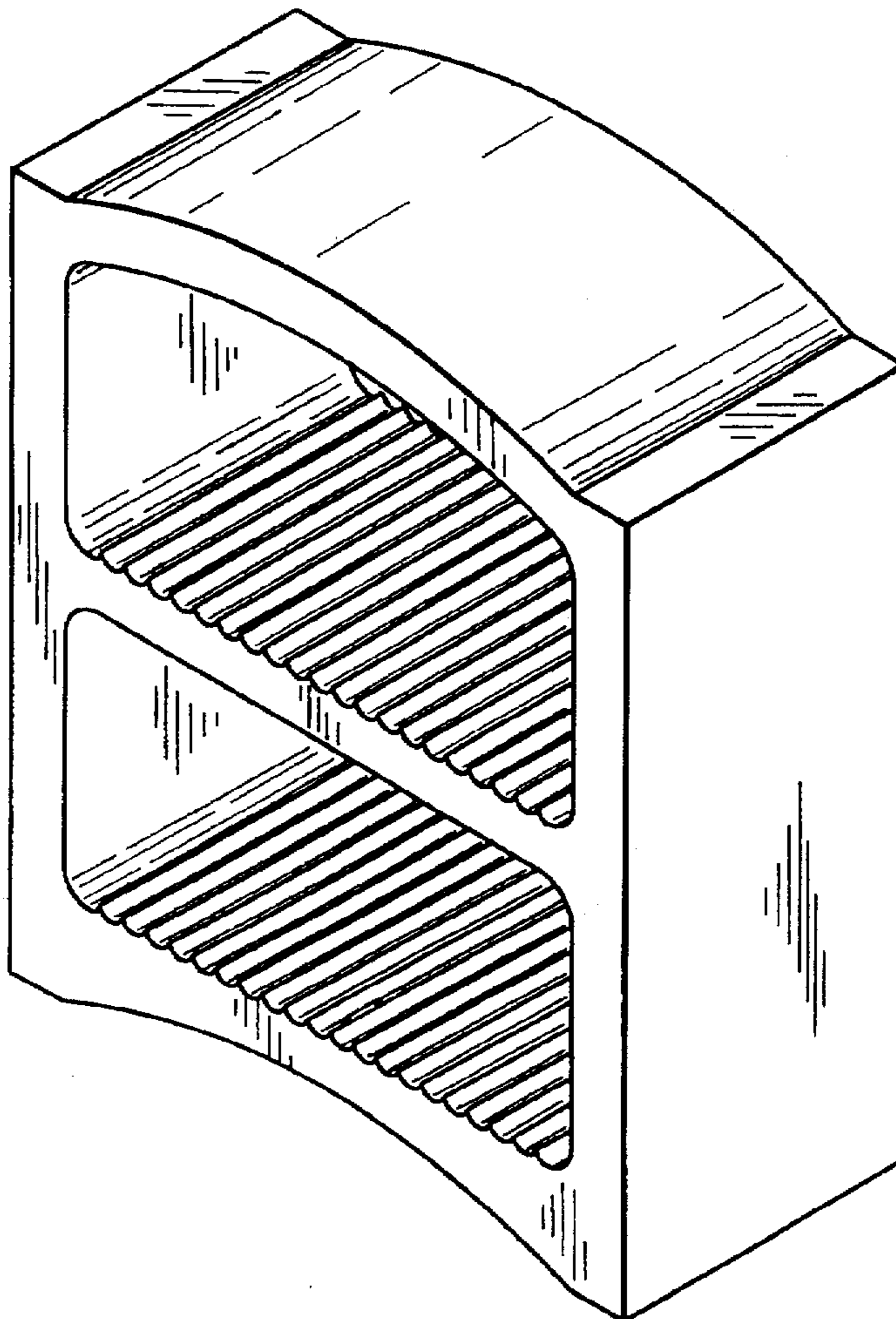


FIG. 1

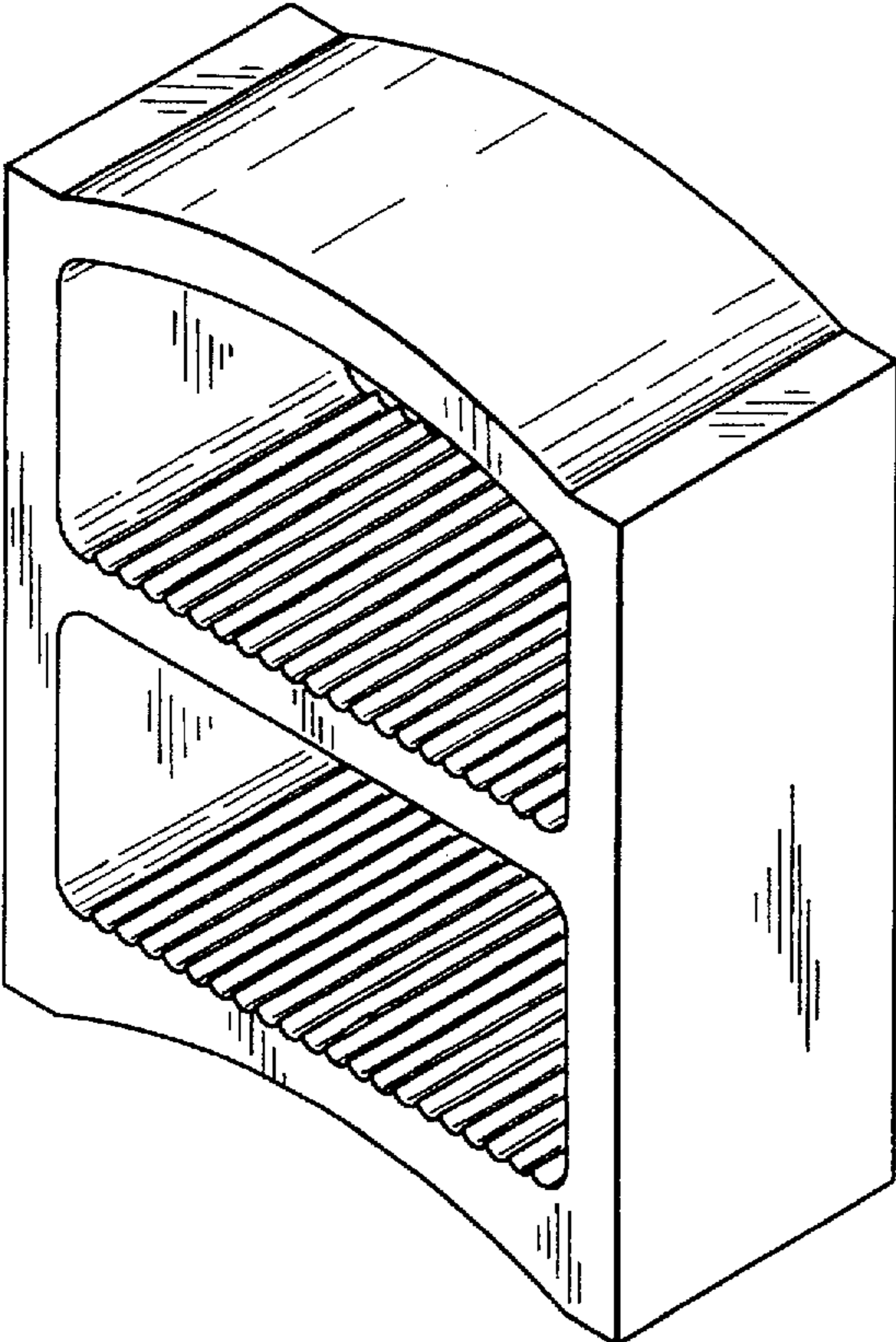


FIG. 2

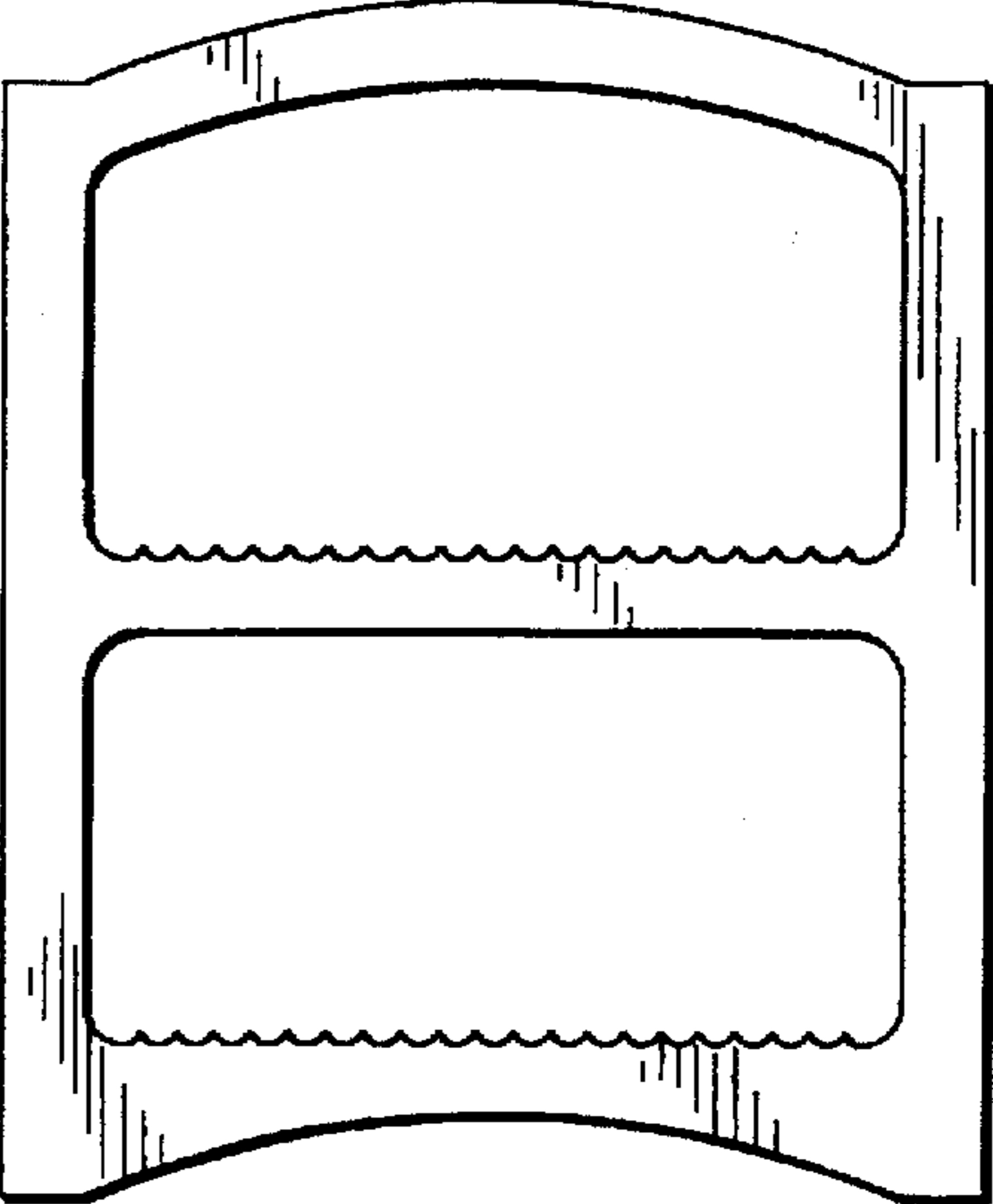


FIG. 3

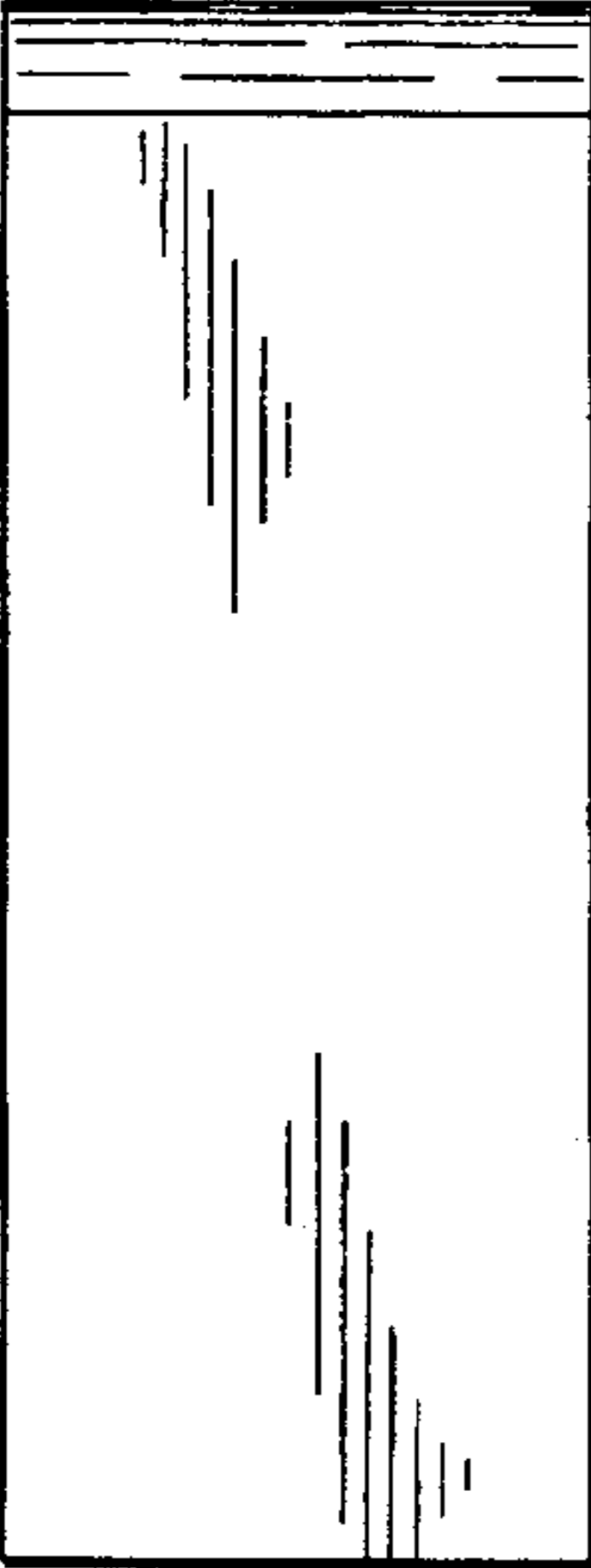


FIG. 4

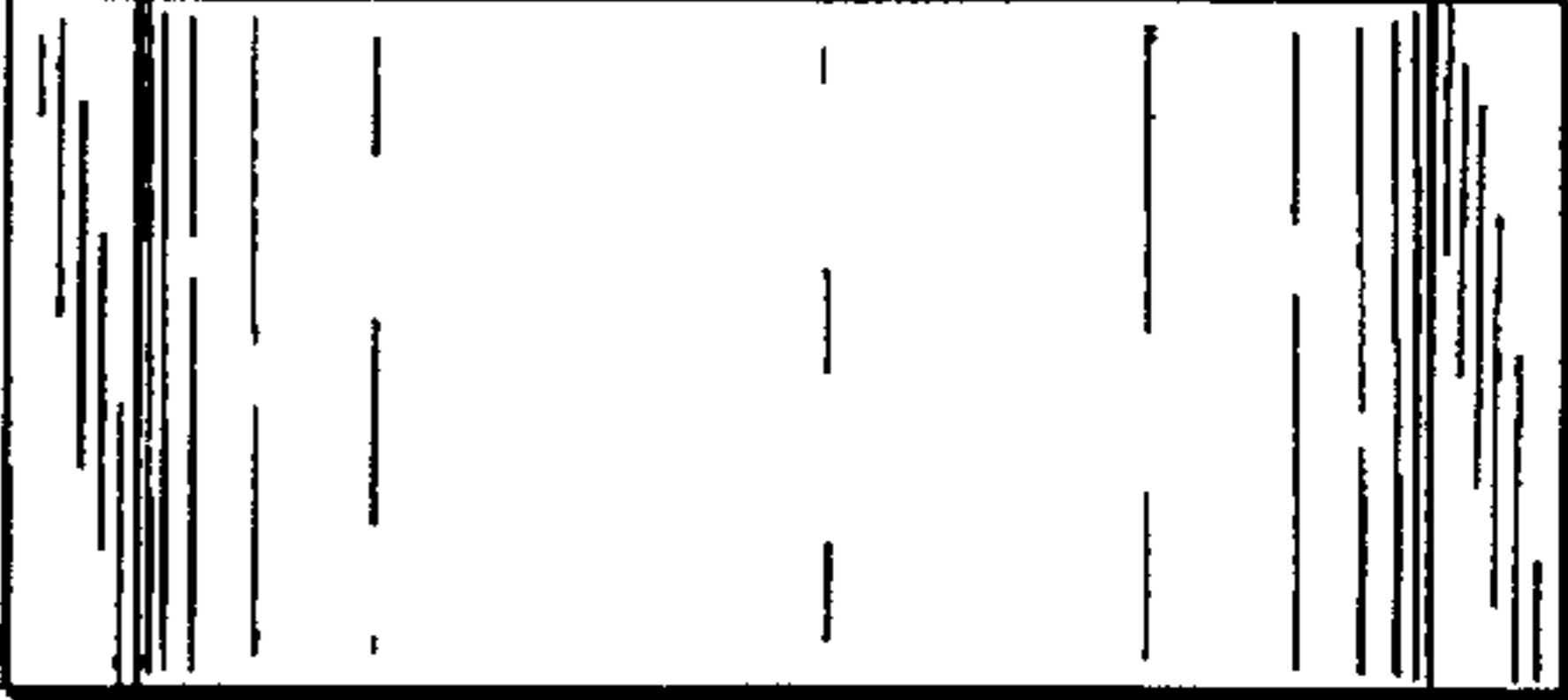


FIG. 5

