



US00D407922S

United States Patent [19] Le Hyaric

[11] Patent Number: **Des. 407,922**

[45] Date of Patent: ****Apr. 13, 1999**

[54] **STACKABLE STORAGE ELEMENT**

[75] Inventor: **Daniel Le Hyaric, Redon, France**

[73] Assignee: **L.H.F. Redon, France**

[**] Term: **14 Years**

[21] Appl. No.: **29/094,013**

[22] Filed: **Sep. 23, 1998**

Related U.S. Application Data

[62] Division of application No. 29/086,248, Apr. 8, 1998.

[51] LOC (6) Cl. **06-04**

[52] U.S. Cl. **D6/475**

[58] Field of Search D6/475-479; 52/596;
D7/701, 708; 108/59, 60, 91; 211/49.1,
74, 126.1, 186-188, 134, 153; D25/114,
116, 118

[56] **References Cited**

U.S. PATENT DOCUMENTS

- D. 236,777 9/1975 Loomis D6/479
- D. 264,659 6/1982 Markas D6/478
- D. 265,958 8/1982 Markas D6/478
- D. 276,110 10/1984 Savelkouls D6/478 X
- D. 316,904 5/1991 Forsberg D25/114

- D. 330,652 11/1992 Goetz D6/479
- D. 393,553 4/1998 Beggs D6/478
- 4,630,740 12/1986 Belokin, Jr. 211/194

Primary Examiner—Doris V. Coles
Assistant Examiner—Linda Brooks
Attorney, Agent, or Firm—Mathews, Collins, Shepherd & Gould, P.A.

[57] **CLAIM**

The ornamental design for a stackable storage element, as shown and described.

DESCRIPTION

FIG. 1 is a front and side perspective view of a first embodiment of a stackable storage element showing my new design, it being understood that the perspective view from the opposite side is a mirror image thereof;
FIG. 2 is a front elevational view of the embodiment of FIG. 1;
FIG. 3 is a view similar to FIG. 1, but showing a second embodiment thereof;
FIG. 4 is a front elevational view of the embodiment of FIG. 3; and,
FIG. 5 is a side elevational view of FIG. 4 from the left, the side elevational view from the right being a mirror image thereof.

1 Claim, 2 Drawing Sheets

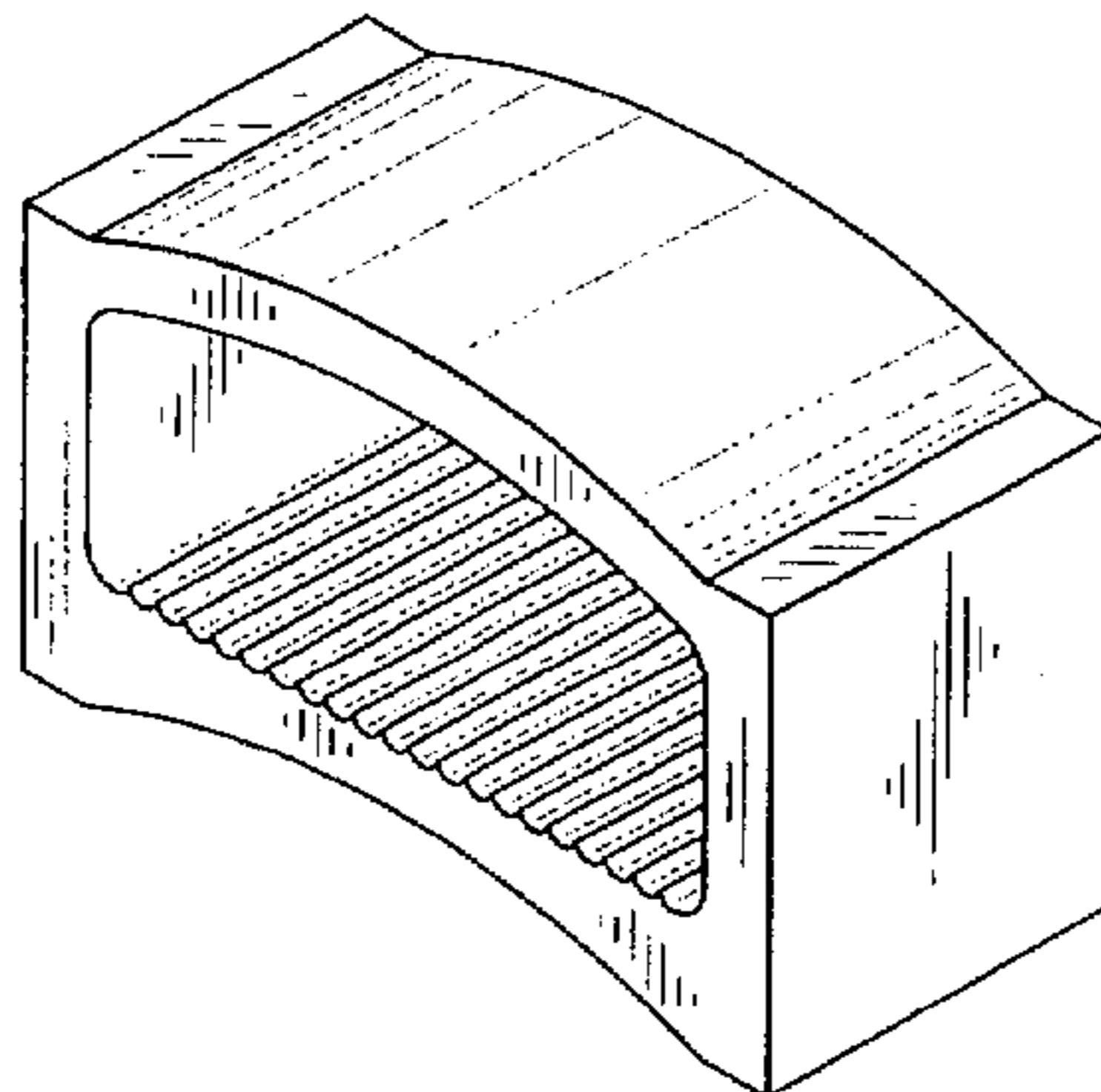
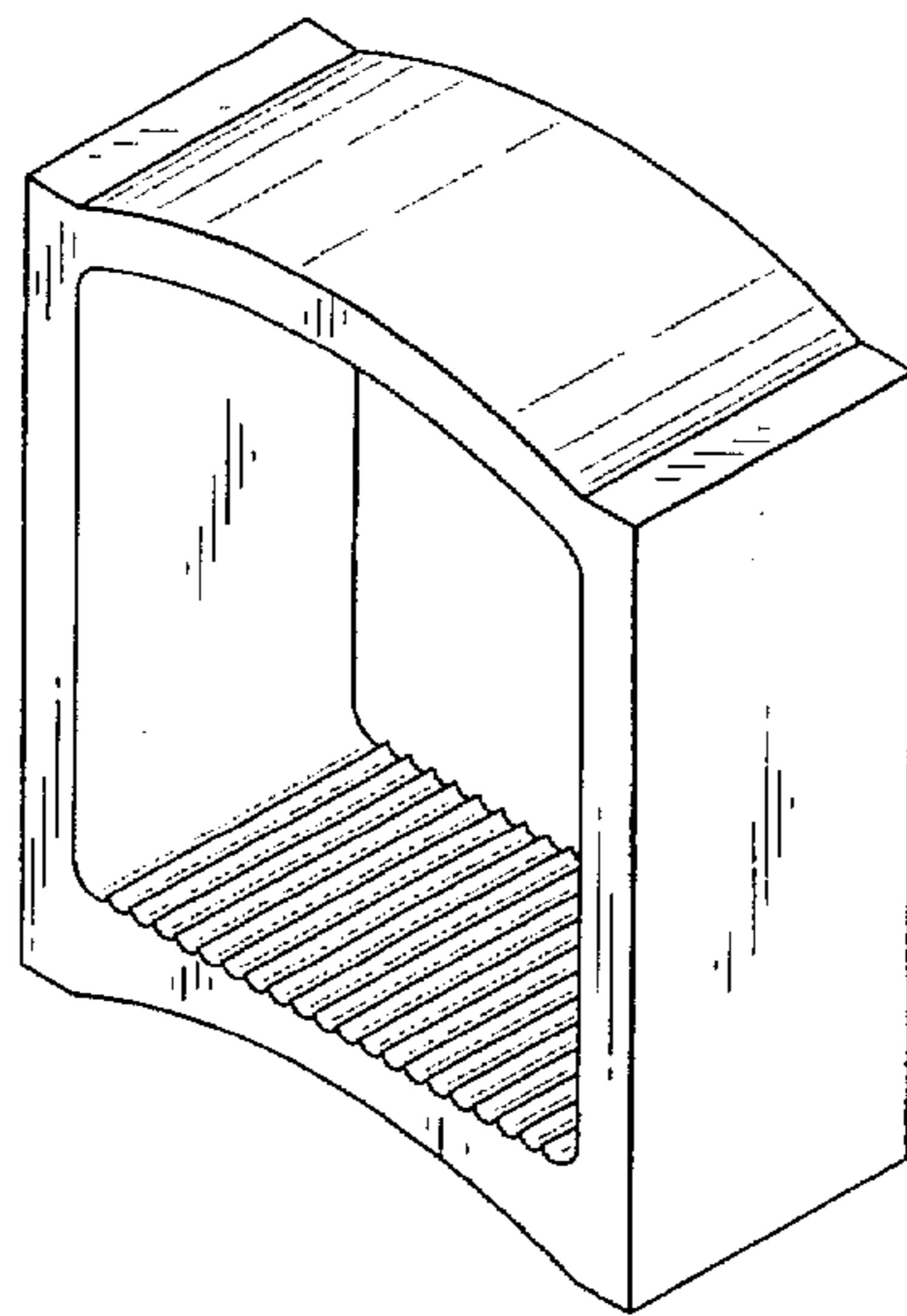


FIG. 1

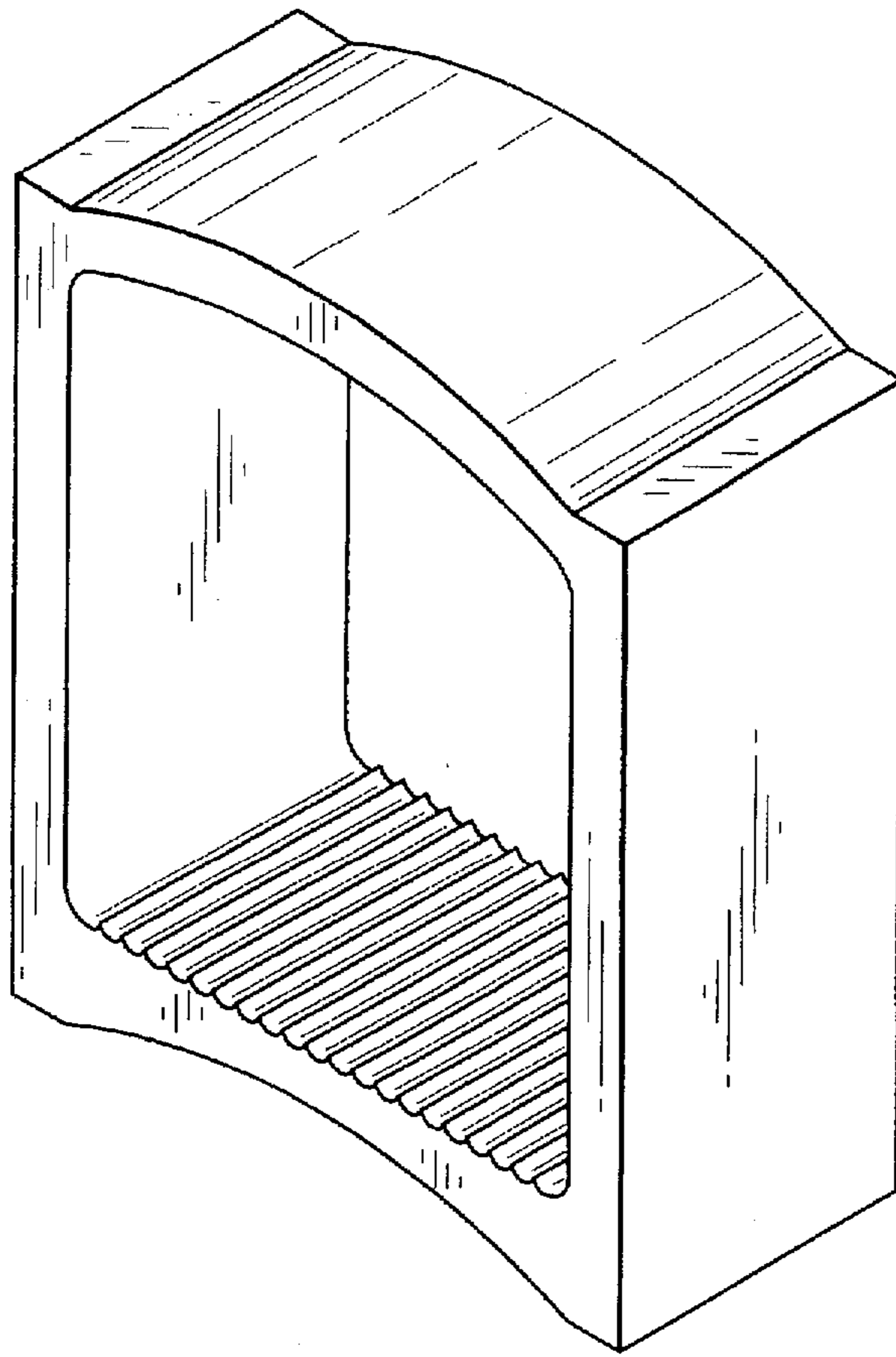


FIG. 2

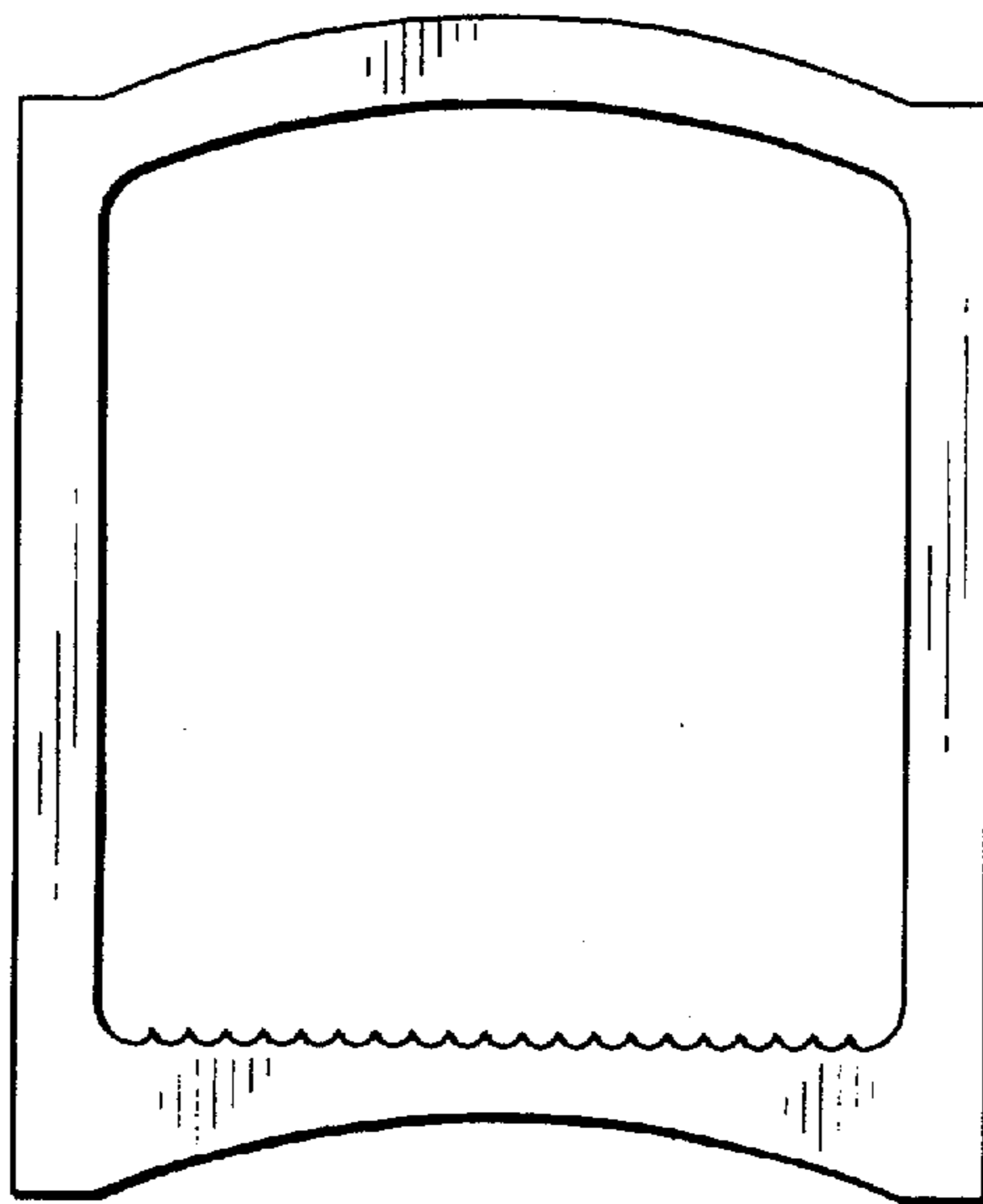


FIG. 3

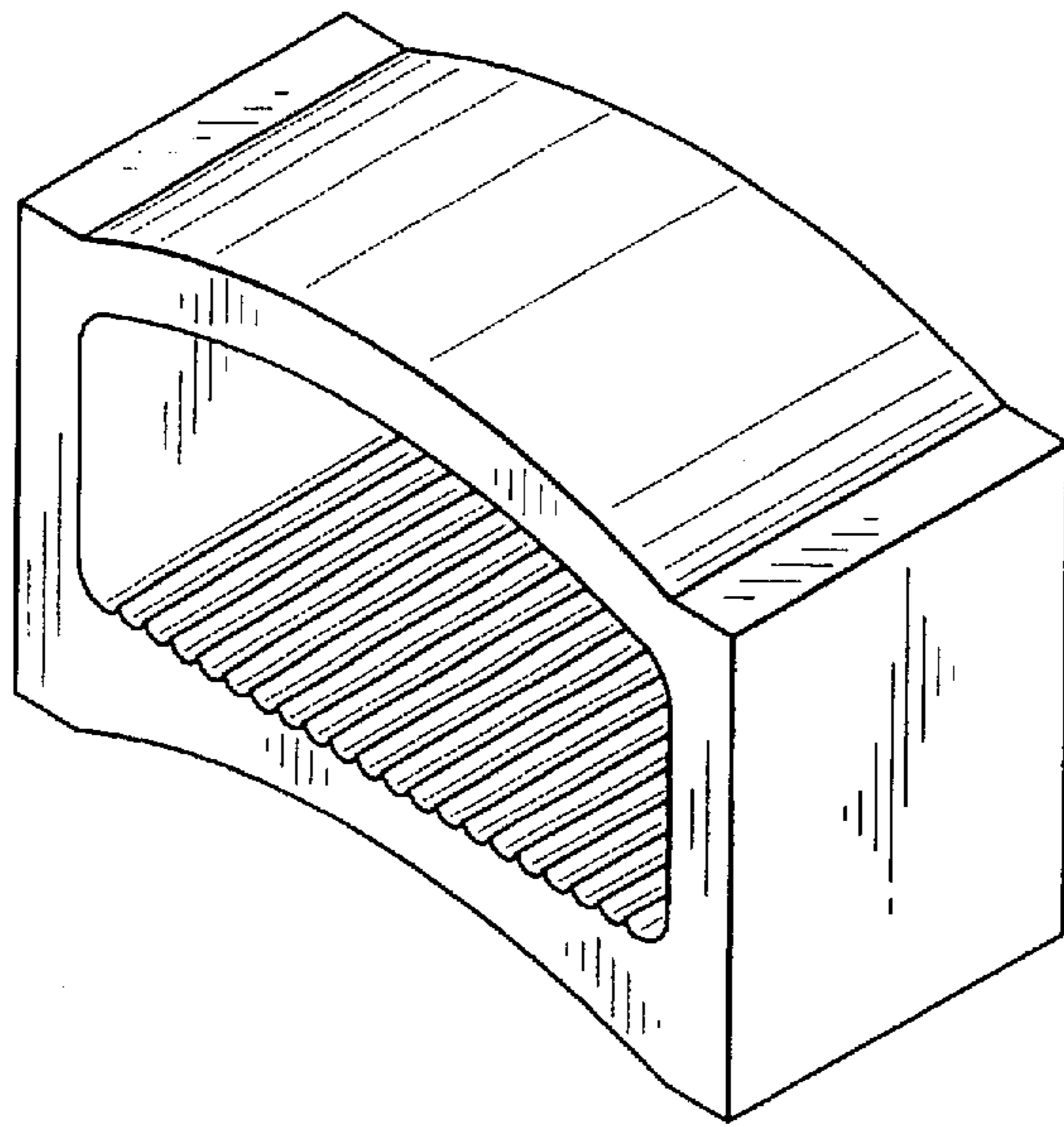


FIG. 4

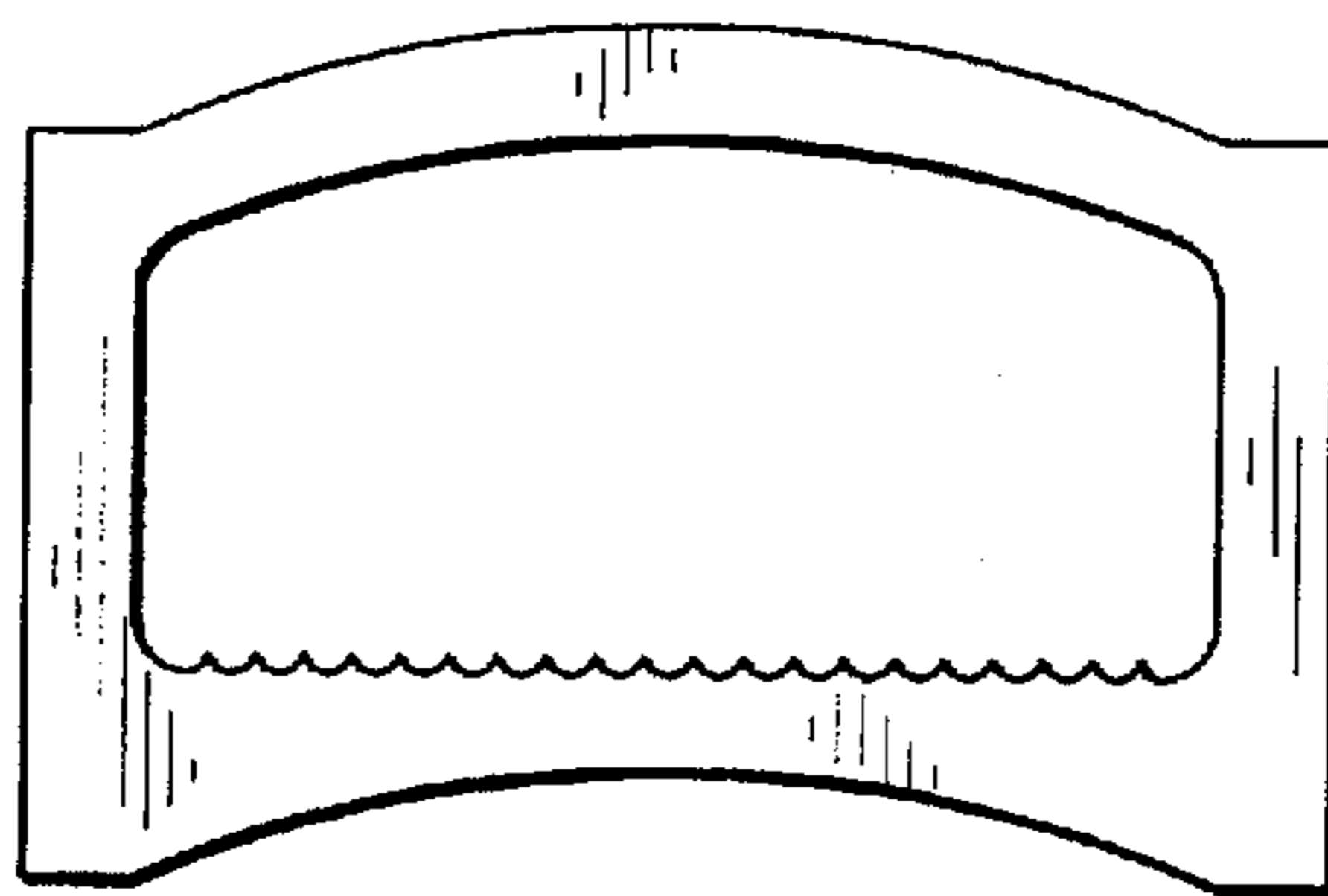


FIG. 5

