



US00D407921S

United States Patent [19]
Horton

[11] **Patent Number: Des. 407,921**
[45] **Date of Patent: **Apr. 13, 1999**

[54] **KIOSK**
[75] **Inventor: Tony L. Horton, Dallas, Tex.**
[73] **Assignee: Viad Corp., Dallas, Tex.**
[**] **Term: 14 Years**
[21] **Appl. No.: 29/089,951**
[22] **Filed: Jun. 26, 1998**
[51] **LOC (6) Cl. 06-04**
[52] **U.S. Cl. D6/474**
[58] **Field of Search** D6/432, 436, 470-479,
D6/481, 437; D25/1, 16; 312/114, 117,
118, 116, 126-130, 138.1, 140.1, 140.2,
249.8, 249.12, 249.13; 52/36.1-36.5; 280/79.2,
79.3, 47.35; D34/19-21

D. 326,024 5/1992 Boyd et al. D6/480
D. 341,458 11/1993 Carroll D34/20
D. 346,867 5/1994 Montilla D25/16
D. 348,367 7/1994 Geisen et al. D6/481
D. 350,829 9/1994 Horton D25/16
D. 354,816 1/1995 Horton D25/16
D. 367,777 3/1996 Arnone D6/436
D. 368,606 4/1996 Sargent, III D6/481
D. 379,664 6/1997 Horton D25/16
D. 379,665 6/1997 Horton D25/16
D. 379,666 6/1997 Horton D25/16
D. 379,667 6/1997 Horton D25/16
D. 396,113 7/1998 Horton D25/16
D. 396,114 7/1998 Horton D25/16
589,971 9/1897 Kephart .
2,836,860 6/1958 Staropoli 20/1.6
3,715,815 2/1973 Lewis 35/60
4,572,598 2/1986 Moore 312/284
5,048,857 9/1991 Stevens 280/651
5,375,899 12/1994 Wright 296/21
5,551,774 9/1996 Campbell et al. 312/284

[56] **References Cited**
U.S. PATENT DOCUMENTS

D. 54,883 4/1920 Willett .
D. 85,555 11/1931 Stebbings .
D. 148,842 3/1948 Cushman D30/11
D. 149,381 4/1948 Schick D80/9
D. 152,219 12/1948 Schick D80/9
D. 152,371 1/1949 Schick D80/11
D. 200,225 2/1965 Benjamin D80/11
D. 219,579 12/1970 Wormser D25/4
D. 254,327 2/1980 Tasse D25/26
D. 256,530 8/1980 Johnson D6/144
D. 260,708 9/1981 Schindler D6/144
D. 265,617 8/1982 Sauroge, III et al. D6/144
D. 279,408 6/1985 Davenport D25/25
D. 288,040 2/1987 LeBlanc D6/473
D. 288,609 3/1987 Watkins D25/11
D. 302,221 7/1989 Suttles et al. D6/481
D. 313,077 12/1990 Minarro D25/16

Primary Examiner—James Gandy
Assistant Examiner—Linda Brooks
Attorney, Agent, or Firm—Locke Purnell Rain Harrell

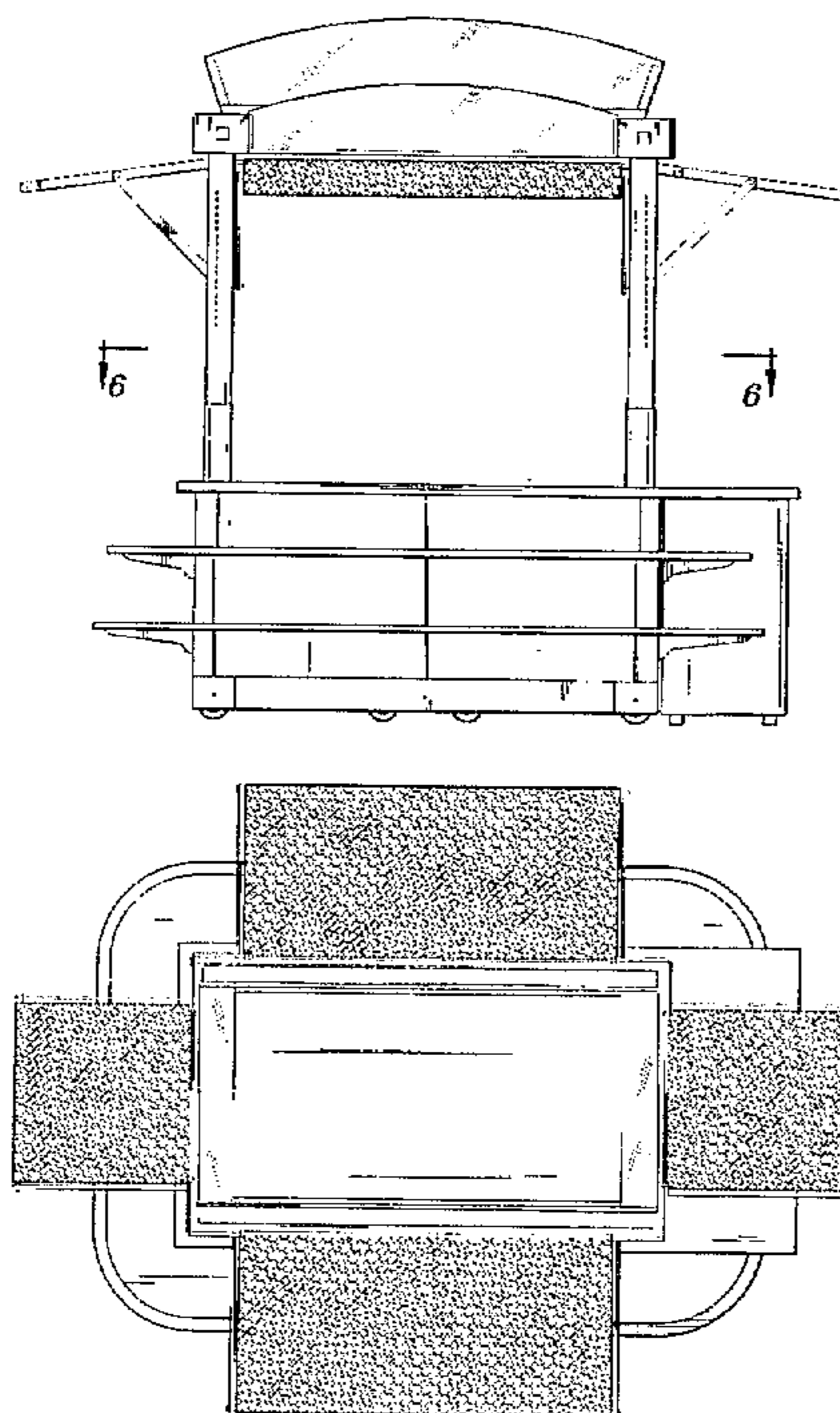
[57] **CLAIM**

The ornamental design for a kiosk, as shown and described.

DESCRIPTION

FIG. 1 is a front elevational view of a kiosk showing my new design, the opposite side being identical thereto;
FIG. 2 is a left side elevational view thereof;
FIG. 3 is a right side elevational view thereof;
FIG. 4 is a top plan view thereof;
FIG. 5 is a bottom plan view thereof; and,
FIG. 6 is a sectional view thereof taken generally along sectional lines 6—6 of FIG. 1.

1 Claim, 6 Drawing Sheets



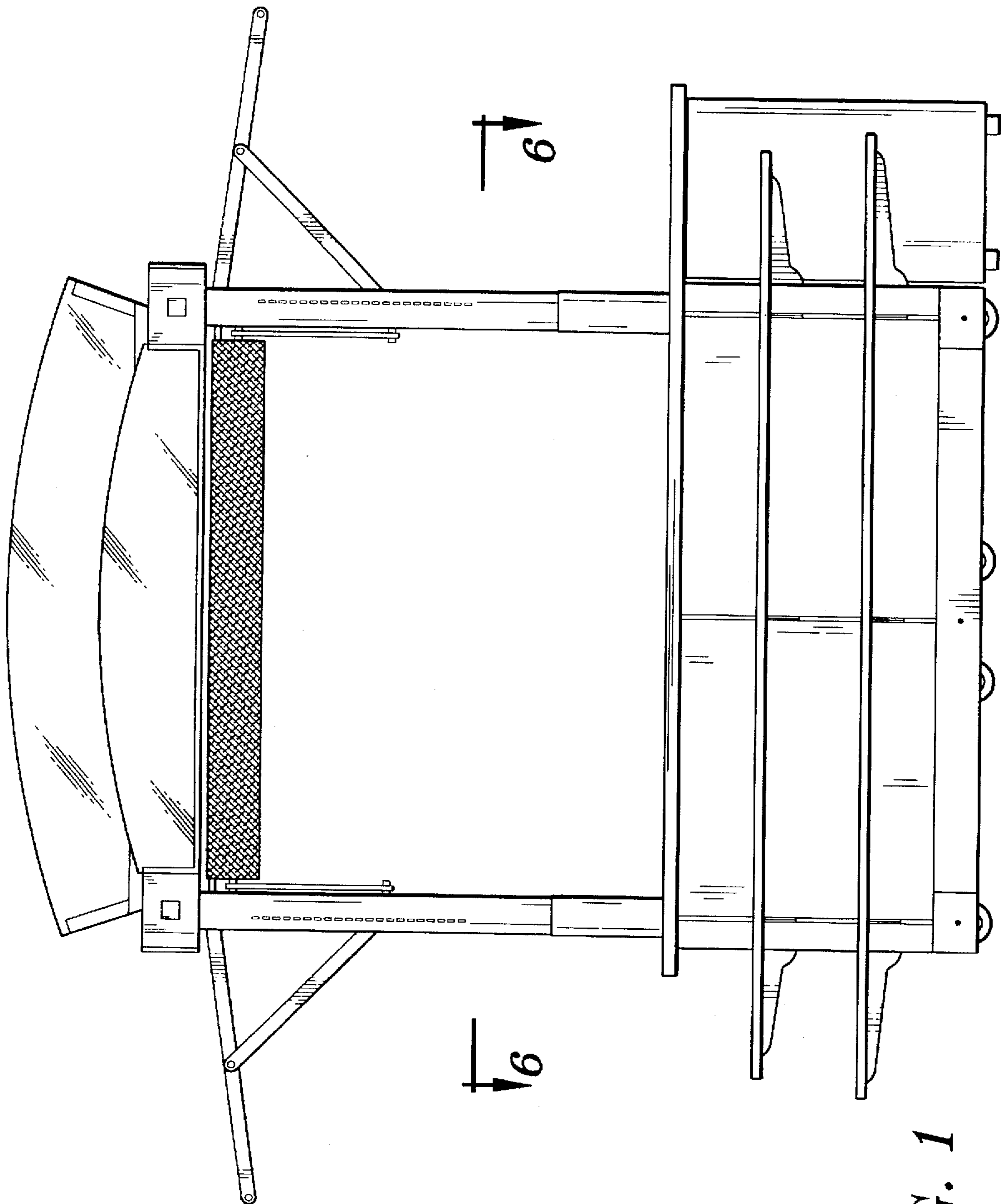


FIG. 1

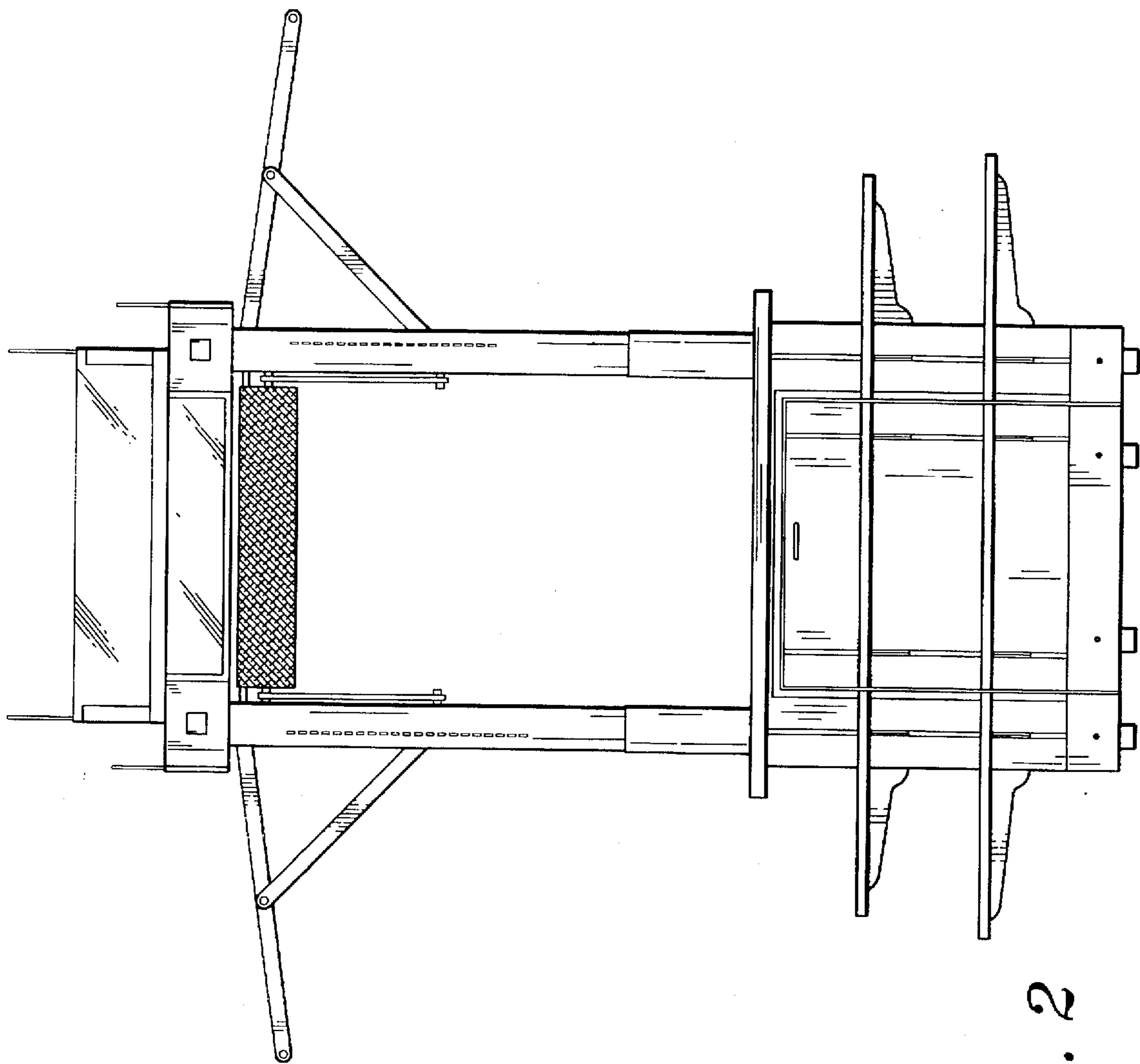


FIG. 2

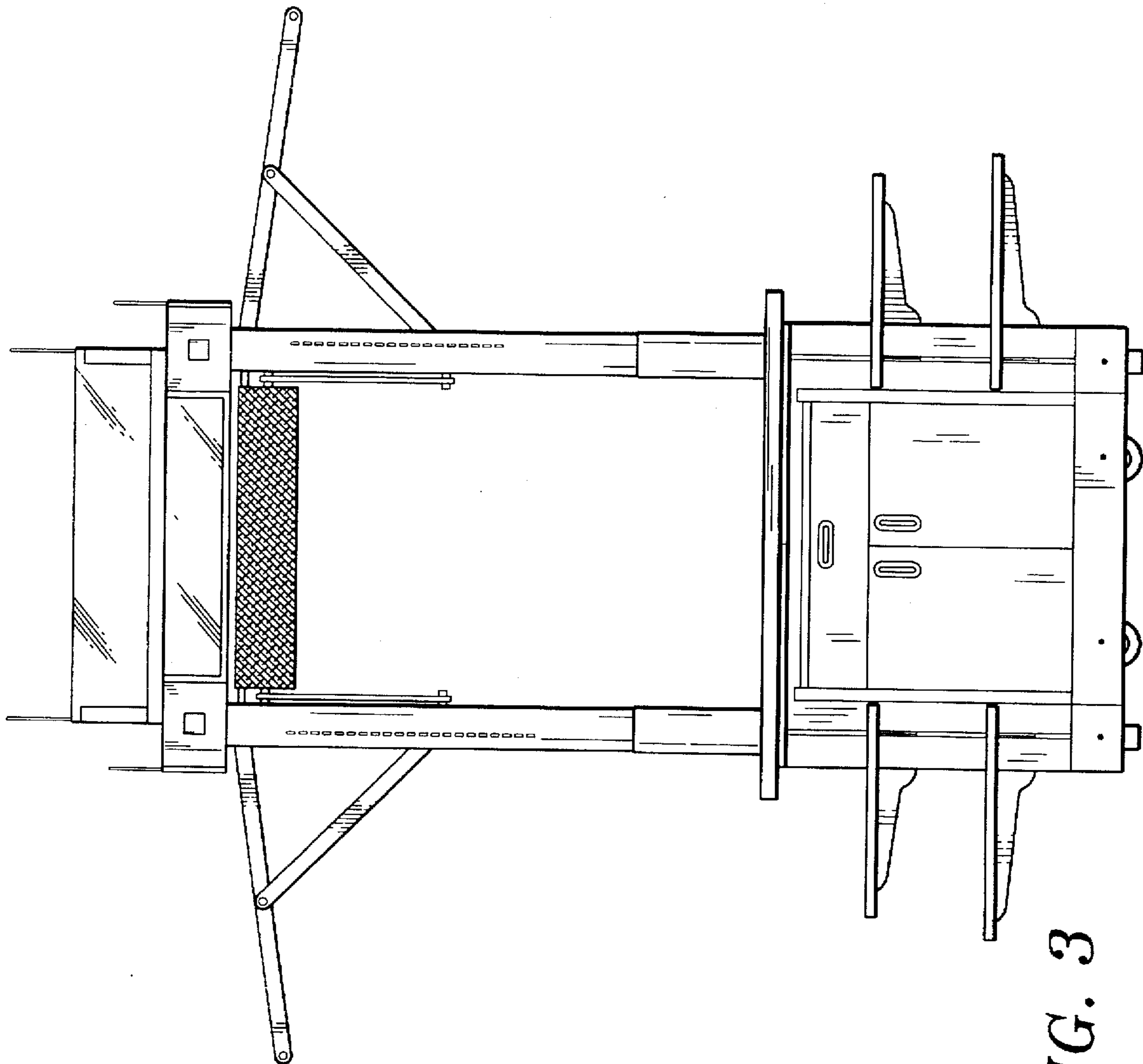


FIG. 3

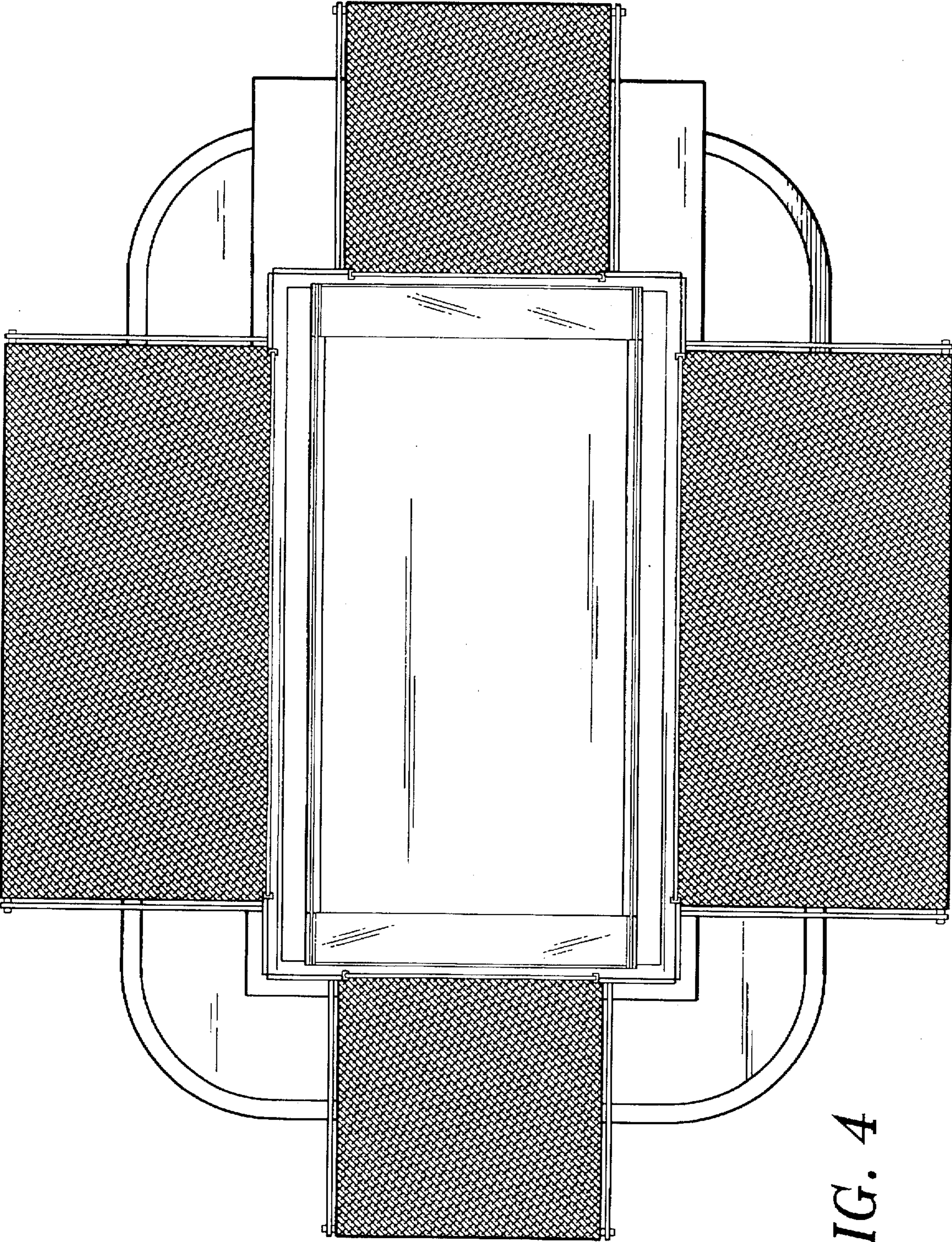


FIG. 4

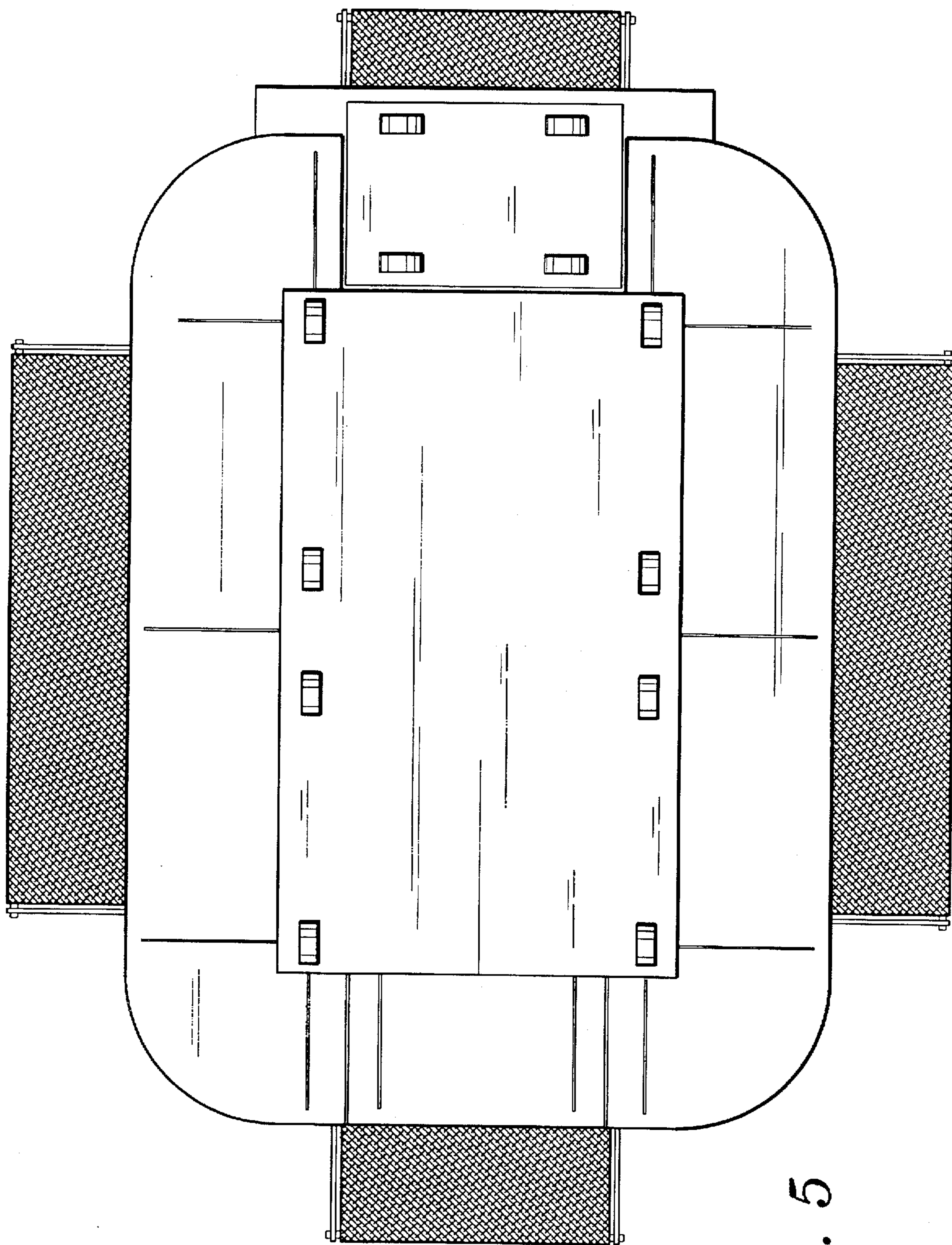


FIG. 5

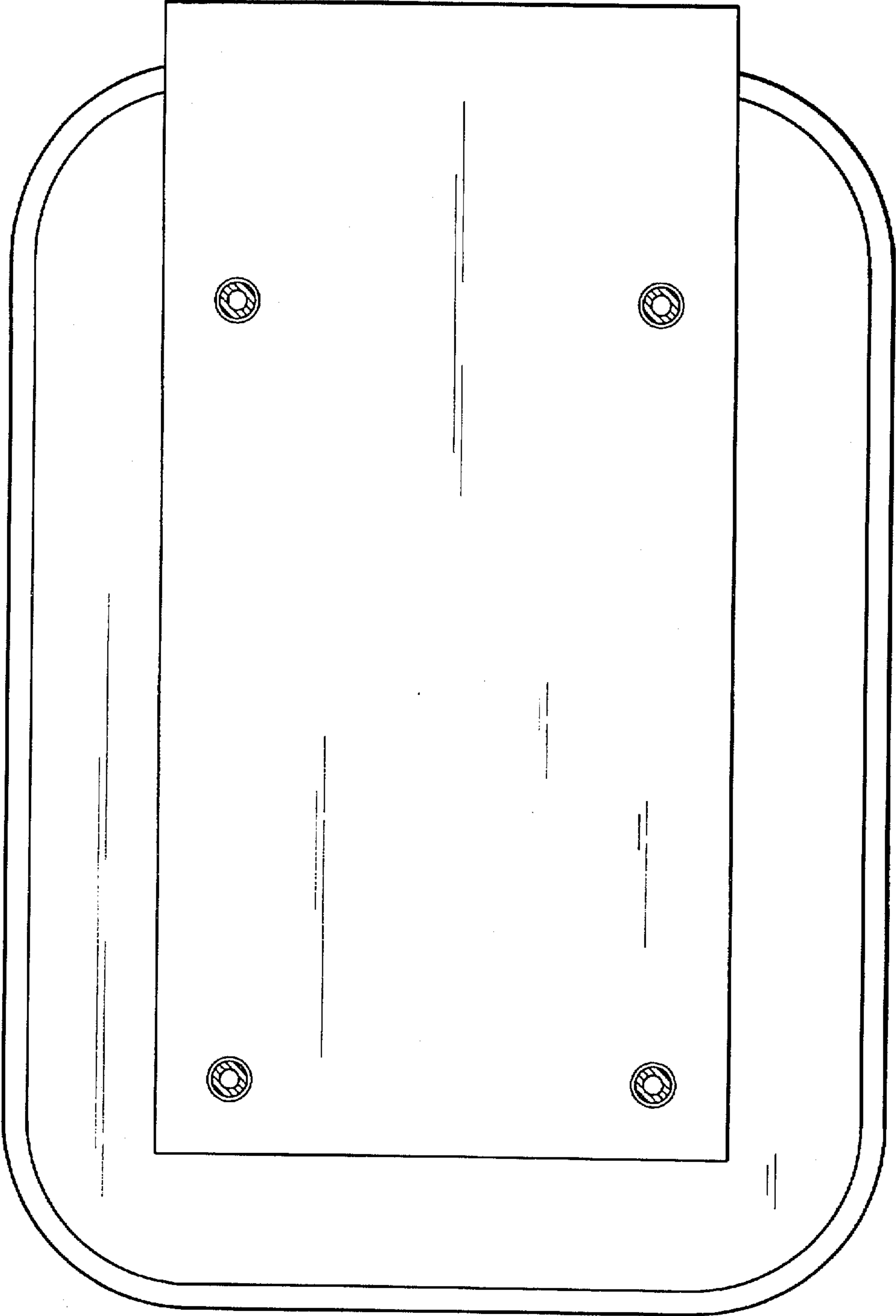


FIG. 6