



US00D407915S

United States Patent [19]

[11] Patent Number: **Des. 407,915**

Mariol et al.

[45] Date of Patent: ****Apr. 13, 1999**

- [54] **BASSINET**
- [75] Inventors: **John V. Mariol**, Cincinnati, Ohio;
Thomas J. Welsh, Jr., Naperville, Ill.
- [73] Assignee: **Kolcraft Enterprises, Inc.**, Chicago, Ill.
- [**] Term: **14 Years**
- [21] Appl. No.: **29/066,734**
- [22] Filed: **Feb. 20, 1997**

4,999,863	3/1991	Kane	5/98.1
5,115,524	5/1992	Antosko	5/99.1
5,339,470	8/1994	Shamie	5/98.1
5,349,709	9/1994	Cheng	5/93.1
5,535,457	7/1996	Welsh, Jr. et al.	5/93.1
5,553,336	9/1996	Mariol	5/93.1
5,555,577	9/1996	Volpe	5/93.1
5,560,055	10/1996	Ziegler	5/99.1
5,581,827	12/1996	Fong et al.	5/99.1
5,615,427	4/1997	Huang	5/99.1

Related U.S. Application Data

- [63] Continuation-in-part of application No. 08/711,541, Sep. 10, 1996.
- [51] **LOC (6) Cl.** **06-01**
- [52] **U.S. Cl.** **D6/391; D6/331**
- [58] **Field of Search** **D6/382-384, 390-395, D6/331; 5/93.1, 98.1, 99.1, 907**

References Cited

U.S. PATENT DOCUMENTS

D. 366,978	2/1996	Mariol	D6/491
961,669	6/1910	Atkinson .	
1,204,416	11/1916	Doser .	
2,553,087	5/1951	Hanson	5/93
2,650,375	9/1953	Serrell	5/99.1
2,688,997	9/1954	Miller	155/44
2,913,739	11/1959	White	5/99.1
3,078,478	2/1963	Sheahan	5/93
3,574,872	4/1971	Mattila	5/94
3,644,947	2/1972	Padera	5/92
3,735,430	5/1973	Platz	5/118
4,073,017	2/1978	Stevens	5/97
4,750,223	6/1988	D'Arcy et al.	5/99 B
4,967,432	11/1990	Kujawski et al.	5/98

OTHER PUBLICATIONS

- "Evenflo" Play Yard with Bassinet Attached.
- "Graco" Play Yard with Bassinet Attached.

Primary Examiner—Janice E. Seeger
Attorney, Agent, or Firm—Marshall, O'Toole, Gerstein, Murray & Borun

CLAIM

[57] The ornamental design for a bassinet, as shown and described.

DESCRIPTION

FIG. 1 is a perspective view of a bassinet showing our new design;
 FIG. 2 is a top plan view thereof;
 FIG. 3 is a front elevational view thereof;
 FIG. 4 is a right side elevational view thereof, the left side view and the rear view being mirror images of the right side view;
 FIG. 5 is a bottom plan view thereof; and,
 FIG. 6 is a perspective view like FIG. 1 with opened compartment.
 The structures shown in broken lines are for environmental purposes only and form no part of the claimed invention.

1 Claim, 4 Drawing Sheets

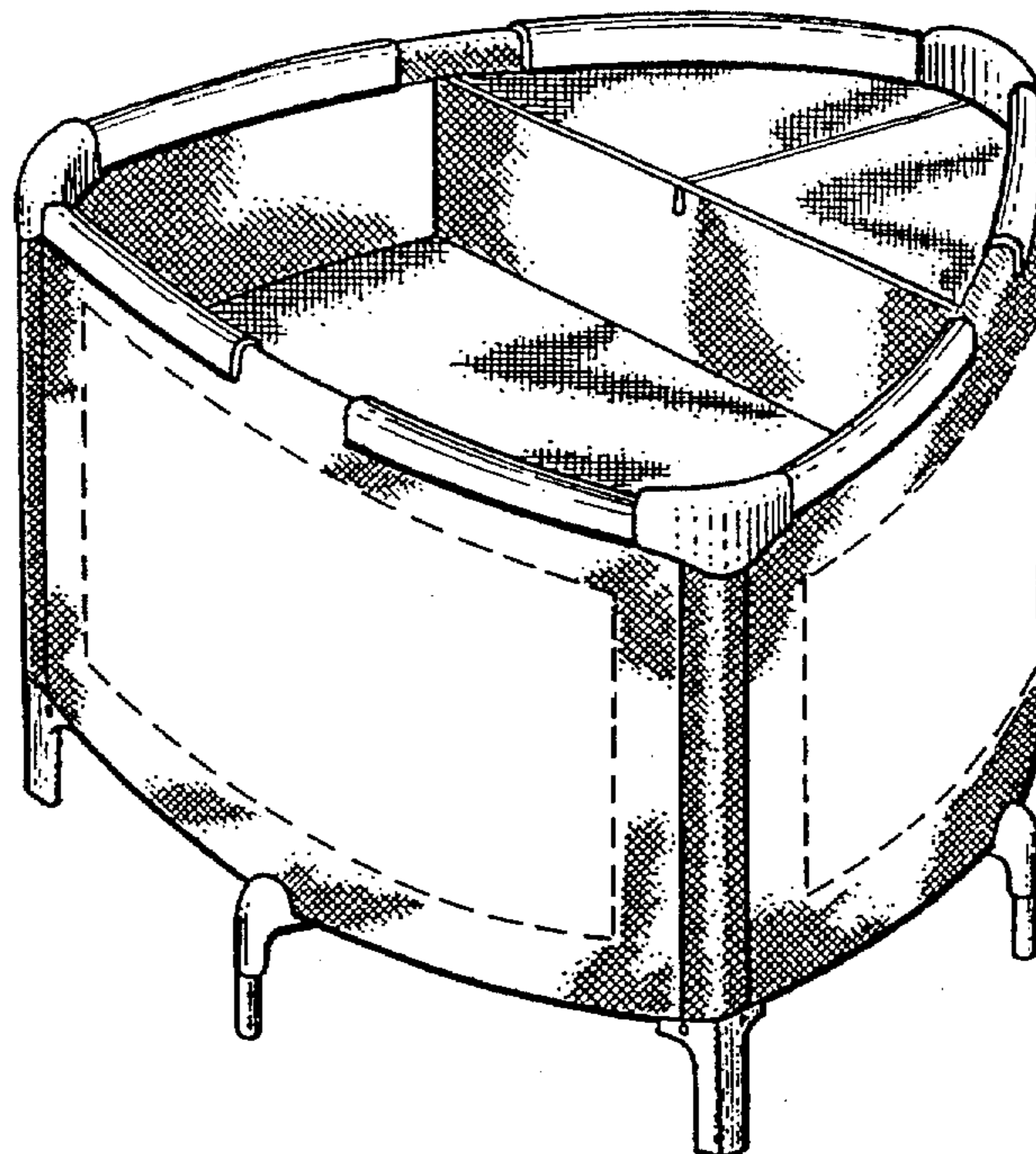


FIG. 1

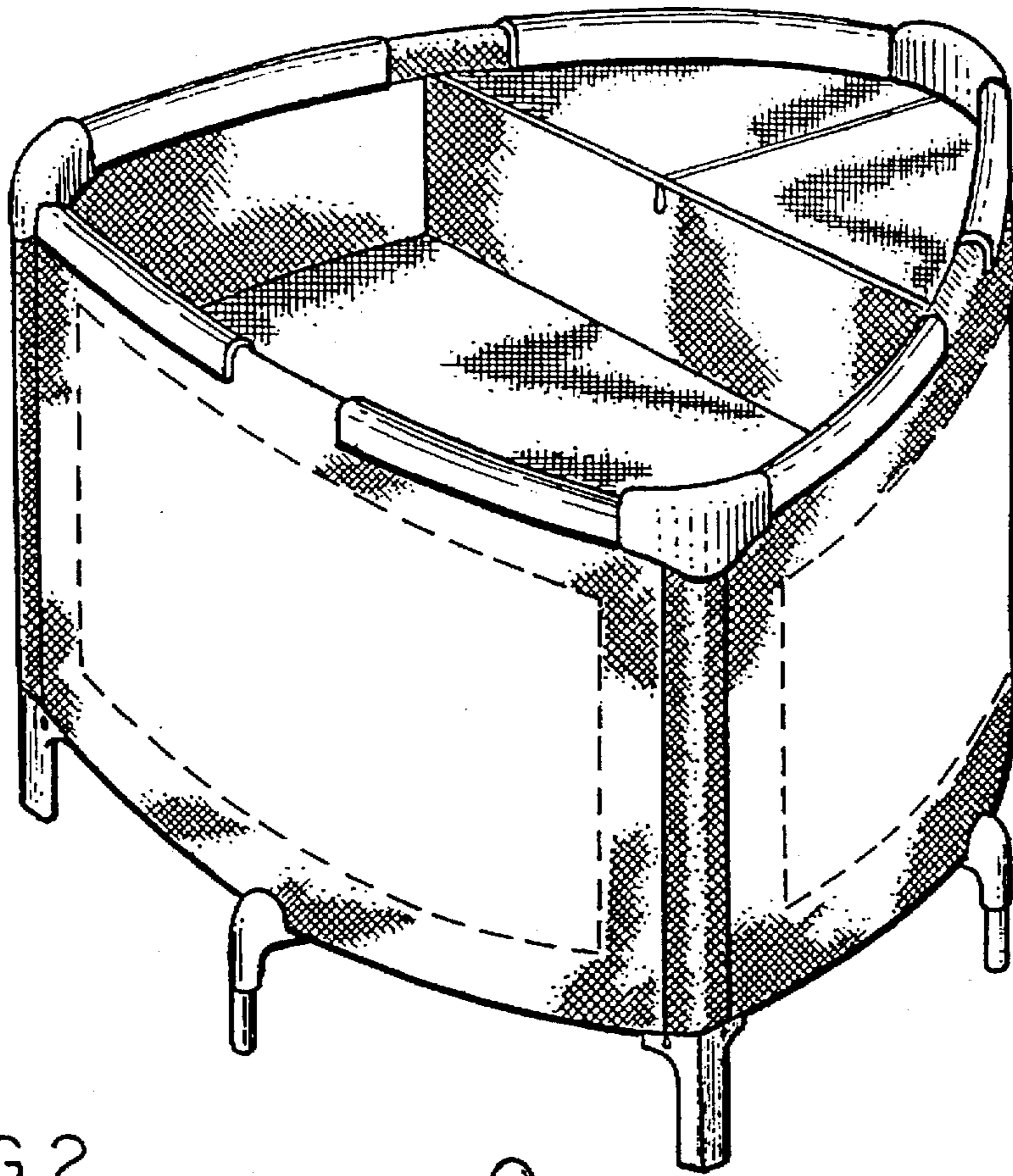


FIG. 2

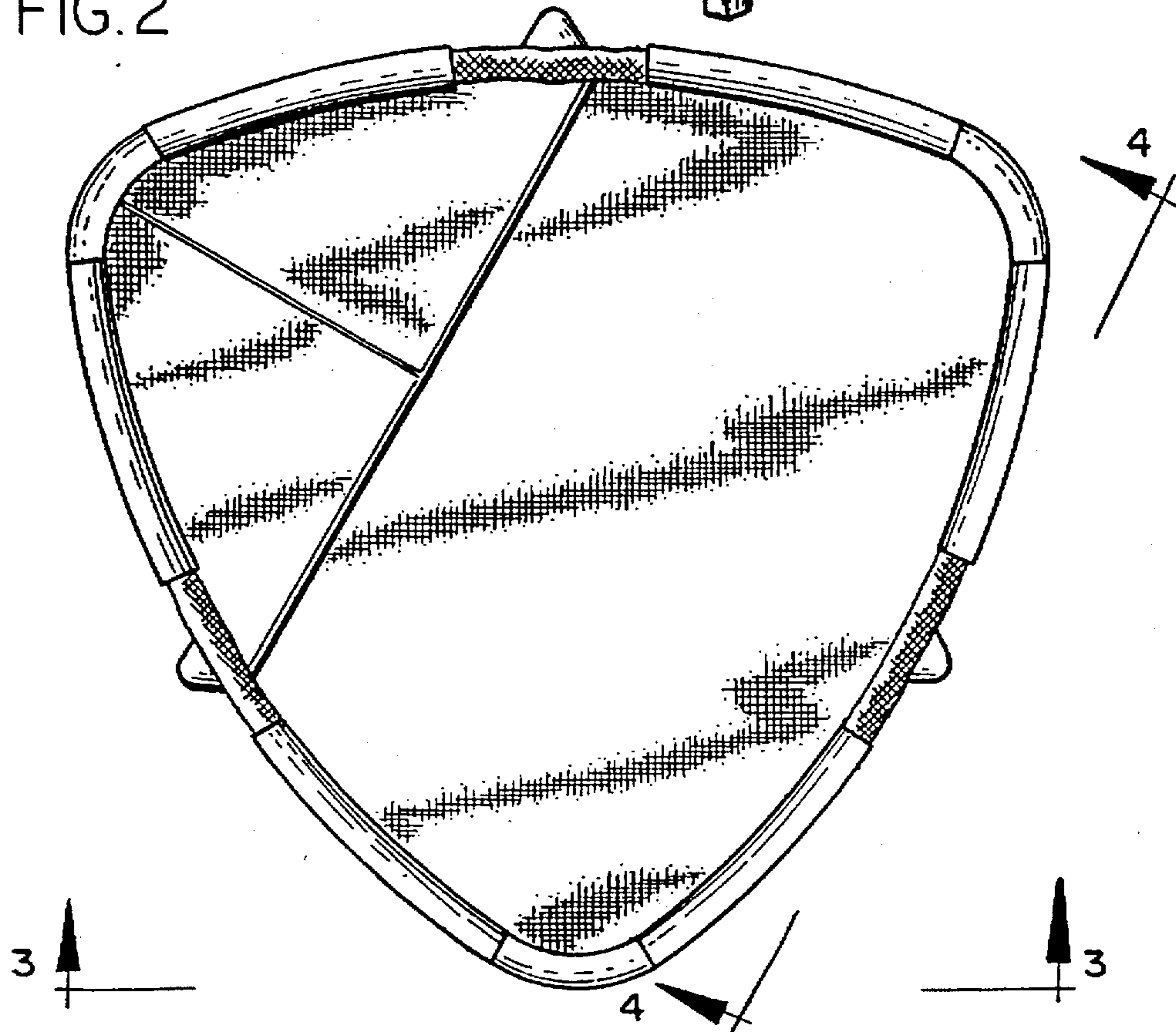


FIG. 3

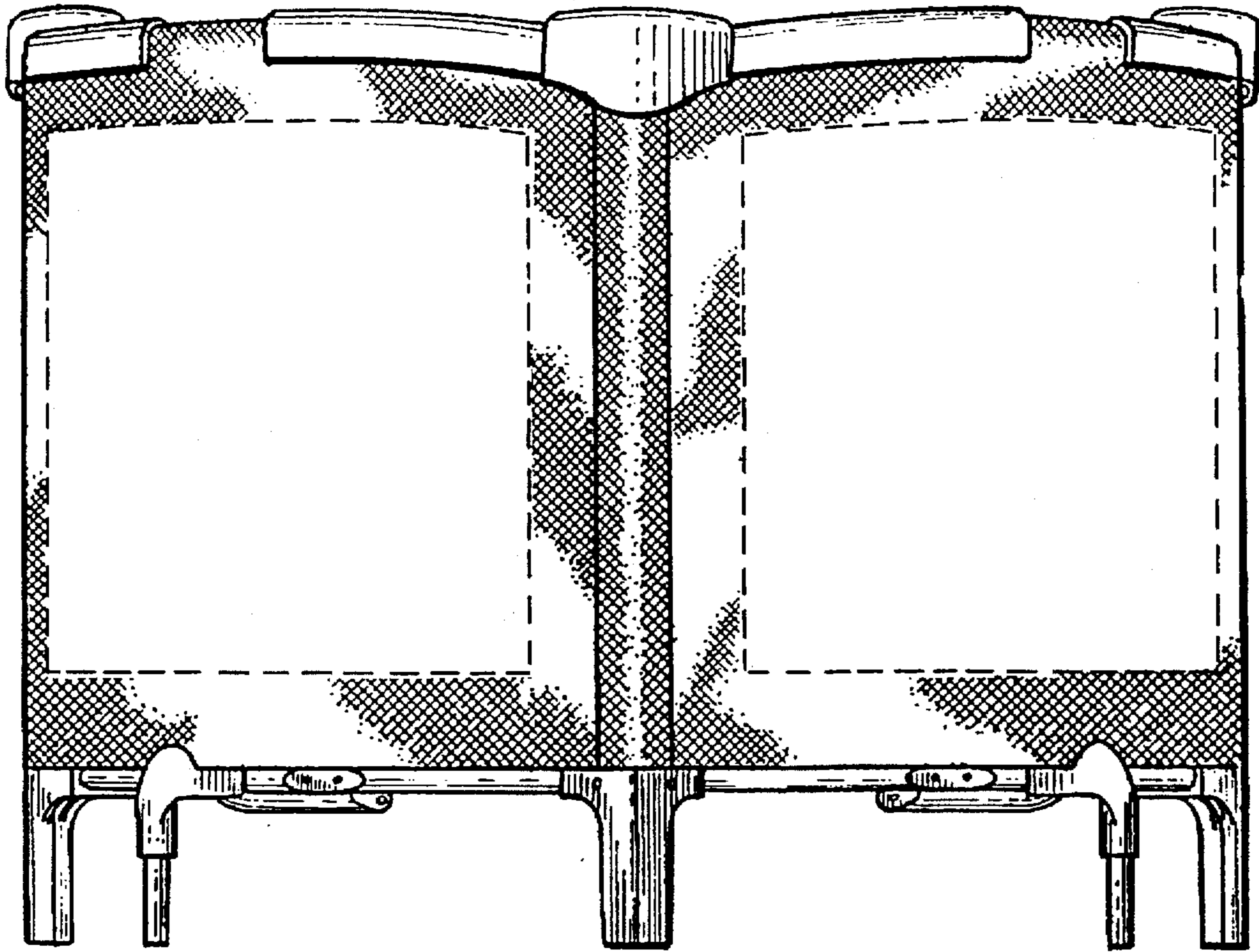


FIG. 4

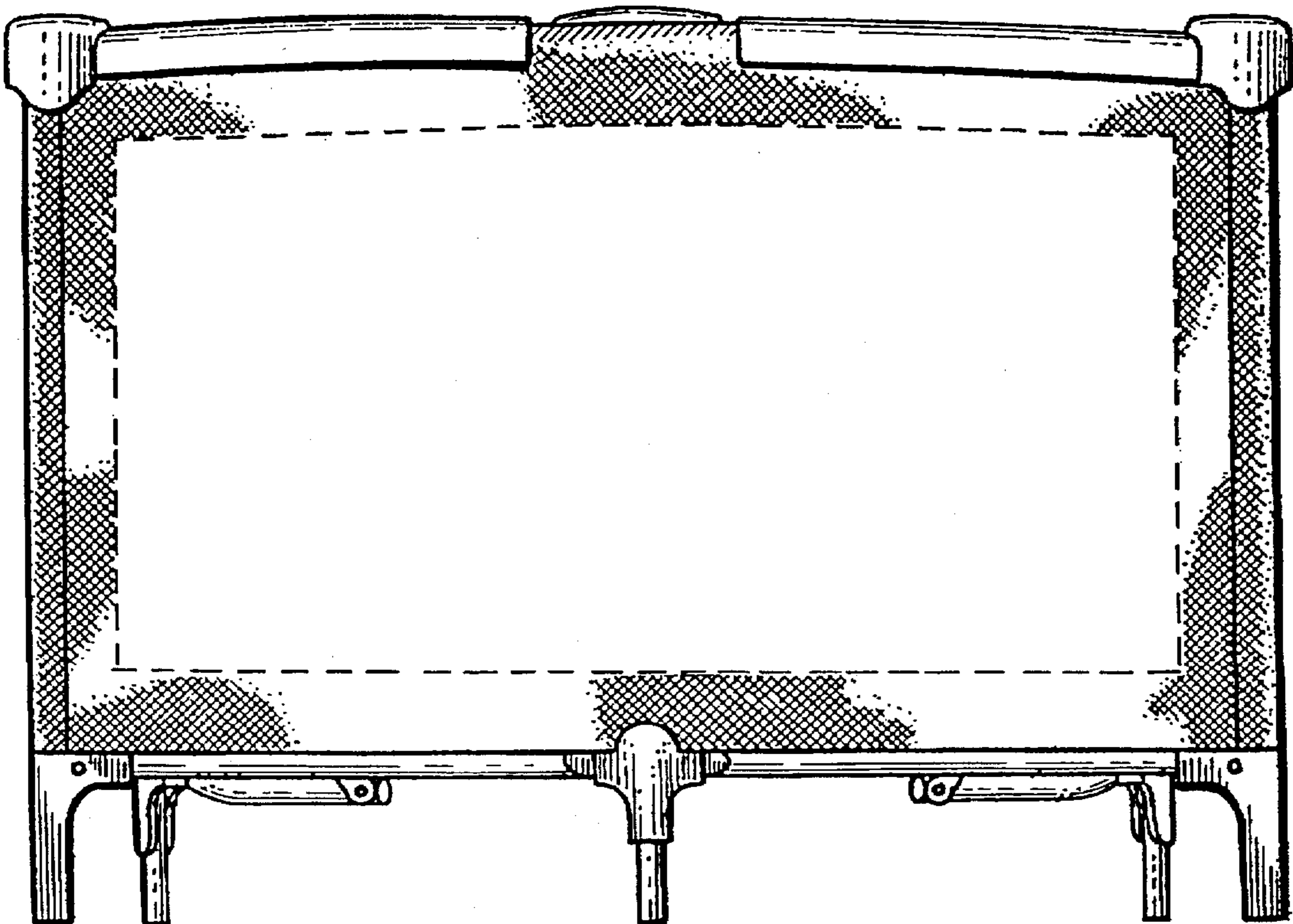


FIG. 5

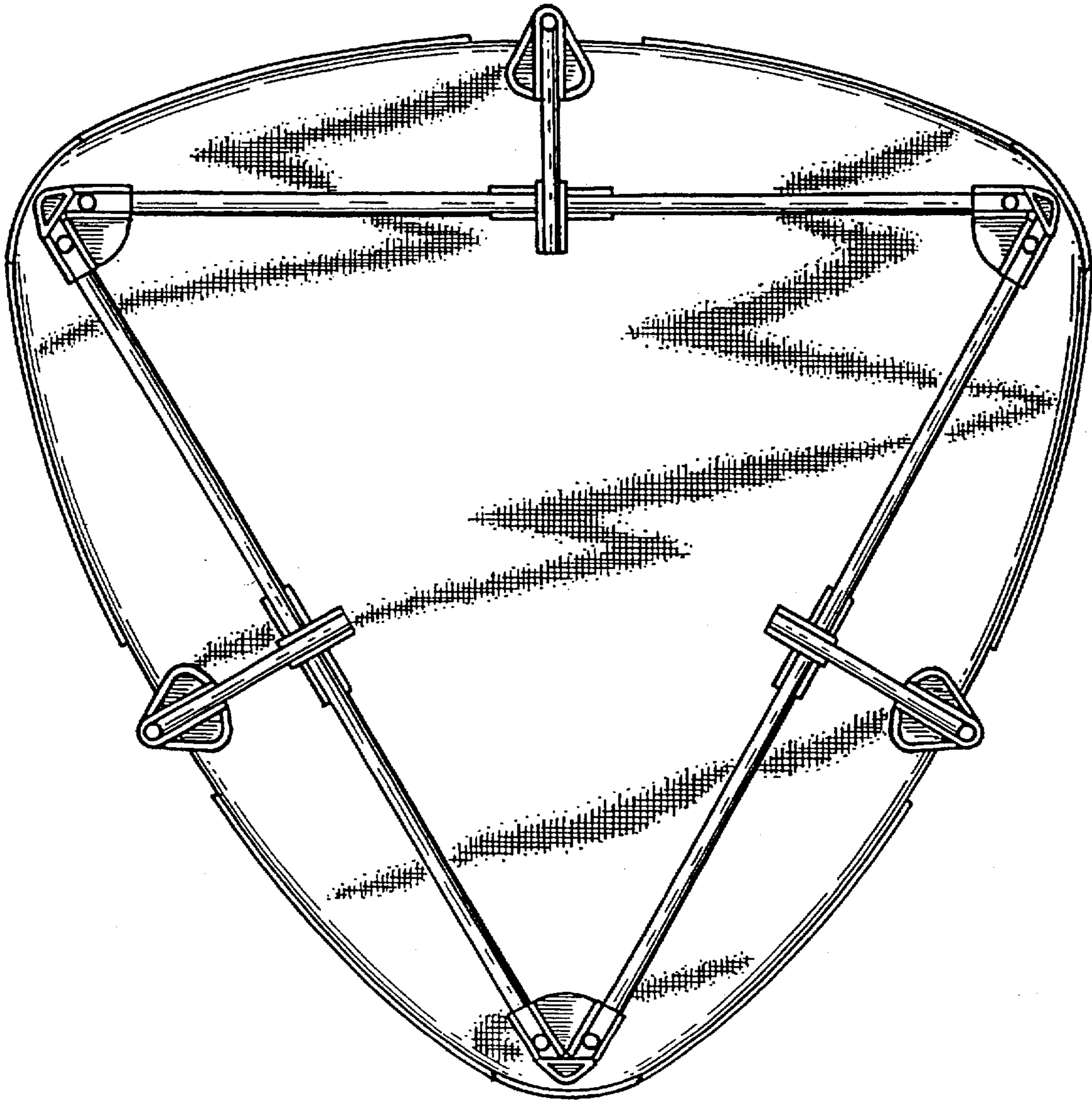


FIG. 6

