



US00D407912S

United States Patent [19]

Walters, III et al.

[11] Patent Number: **Des. 407,912**

[45] Date of Patent: ****Apr. 13, 1999**

[54] SEAT

[75] Inventors: **Guy A. Walters, III**, High Point; **Avis Edward Tobin, Jr.**, Thomasville, both of N.C.

[73] Assignee: **Thomasville Furniture Industries, Inc.**, Thomasville, N.C.

[**] Term: **14 Years**

[21] Appl. No.: **29/029,993**

[22] Filed: **Oct. 20, 1994**

[51] LOC (6) Cl. **06-01**

[52] U.S. Cl. **D6/380; D6/379**

[58] Field of Search D6/334, 370, 374, D6/379, 380, 500, 501, 502; 297/411.43, 446

[56] **References Cited**

U.S. PATENT DOCUMENTS

D. 276,672	12/1984	Giorgetti	D6/380
D. 293,518	1/1988	Tonon	D6/370
D. 345,657	4/1994	Pesso	D6/379

OTHER PUBLICATIONS

B. Mayer, *In the Arts & Crafts Style*, 1993, p. 65.
Thomasville Fascinations Dining Room, p. 4, Oct. 1992 or earlier.

Lowenstein/O990 Catalist 15, Jun. 1986, p. 18, Chair #499 mid. page left.

Lowenstein/O990 Catalist 15, Jun. 1986, p. 19, Chair #799 mid. page right.

Spiegel, p. 415, Chair at top left.

Ikea, Jul. 1993, p. 153, chair #5 top center.

Primary Examiner—Janice E. Seeger

Assistant Examiner—Gary D. Watson

Attorney, Agent, or Firm—Rhodes, Coats & Bennett, L.L.P.

[57] **CLAIM**

The ornamental design for a seat, as shown and described.

DESCRIPTION

FIG. 1 is a front perspective view of a seat showing our new design;

FIG. 2 is a side view thereof;

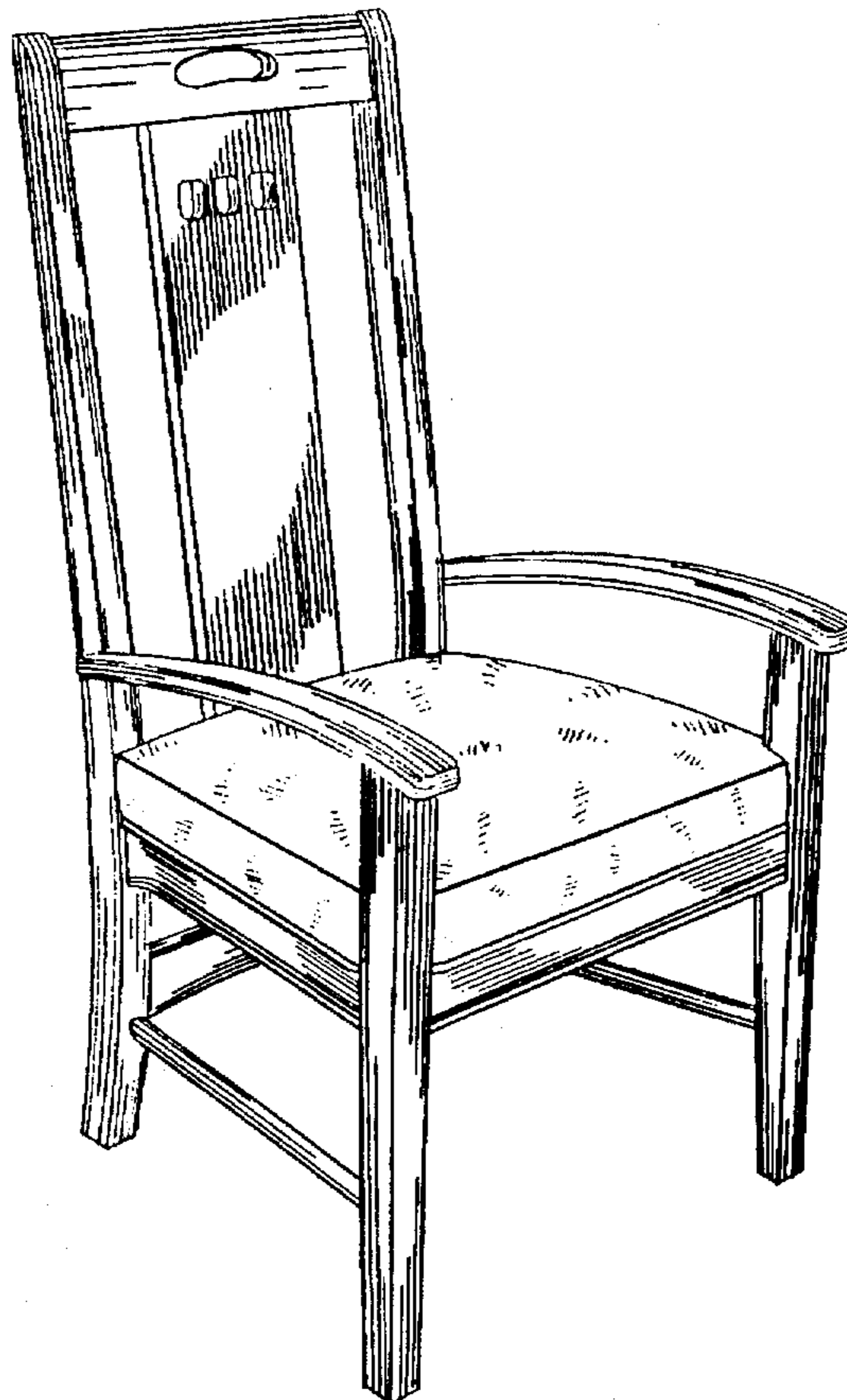
FIG. 3 is a front view thereof;

FIG. 4 is a rear view thereof;

FIG. 5 is a top view thereof; and,

FIG. 6 is a second embodiment of our new design, the second embodiment lacks the side arms shown in FIGS. 1 through 5.

1 Claim, 3 Drawing Sheets



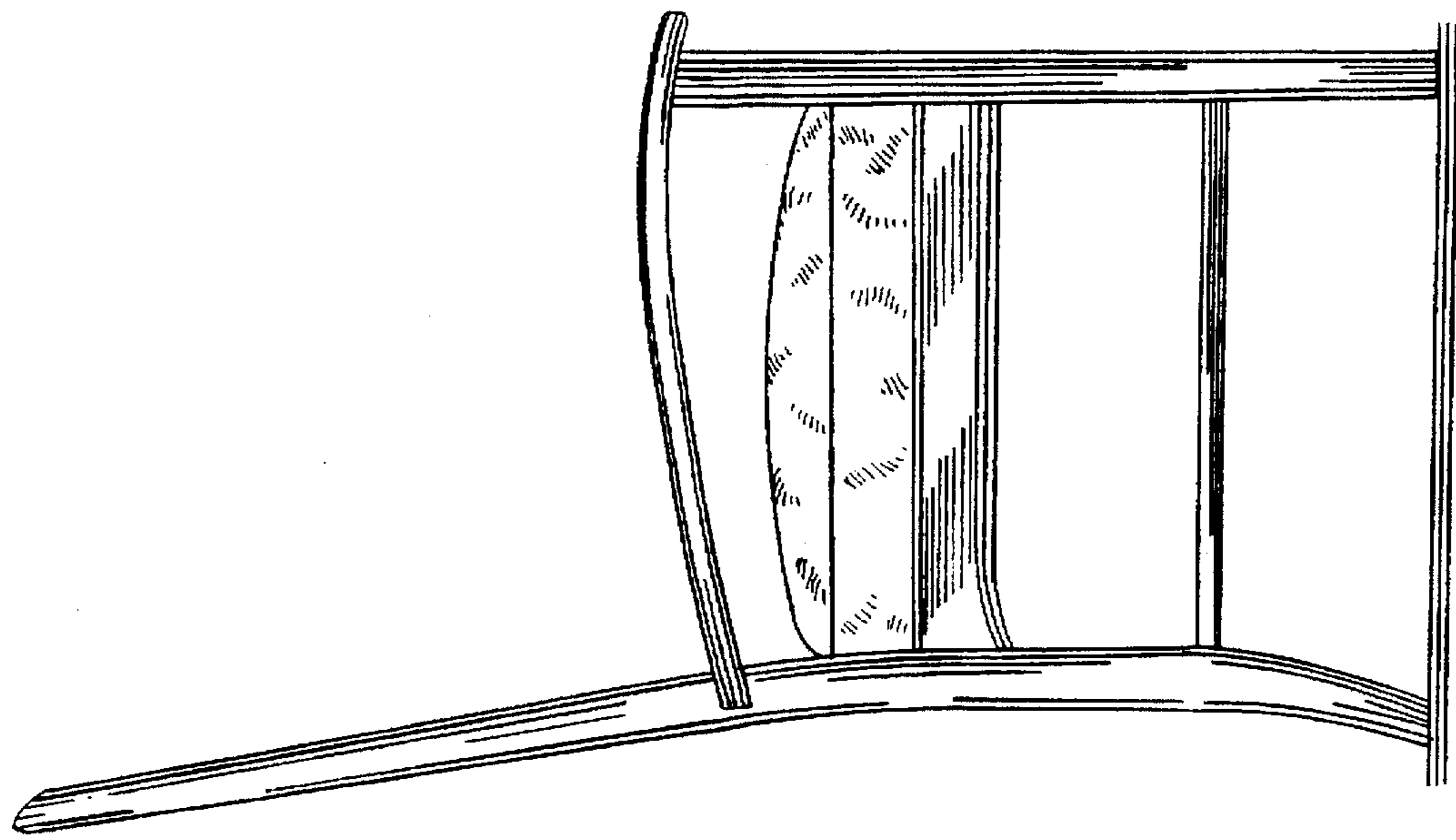


FIG. 2

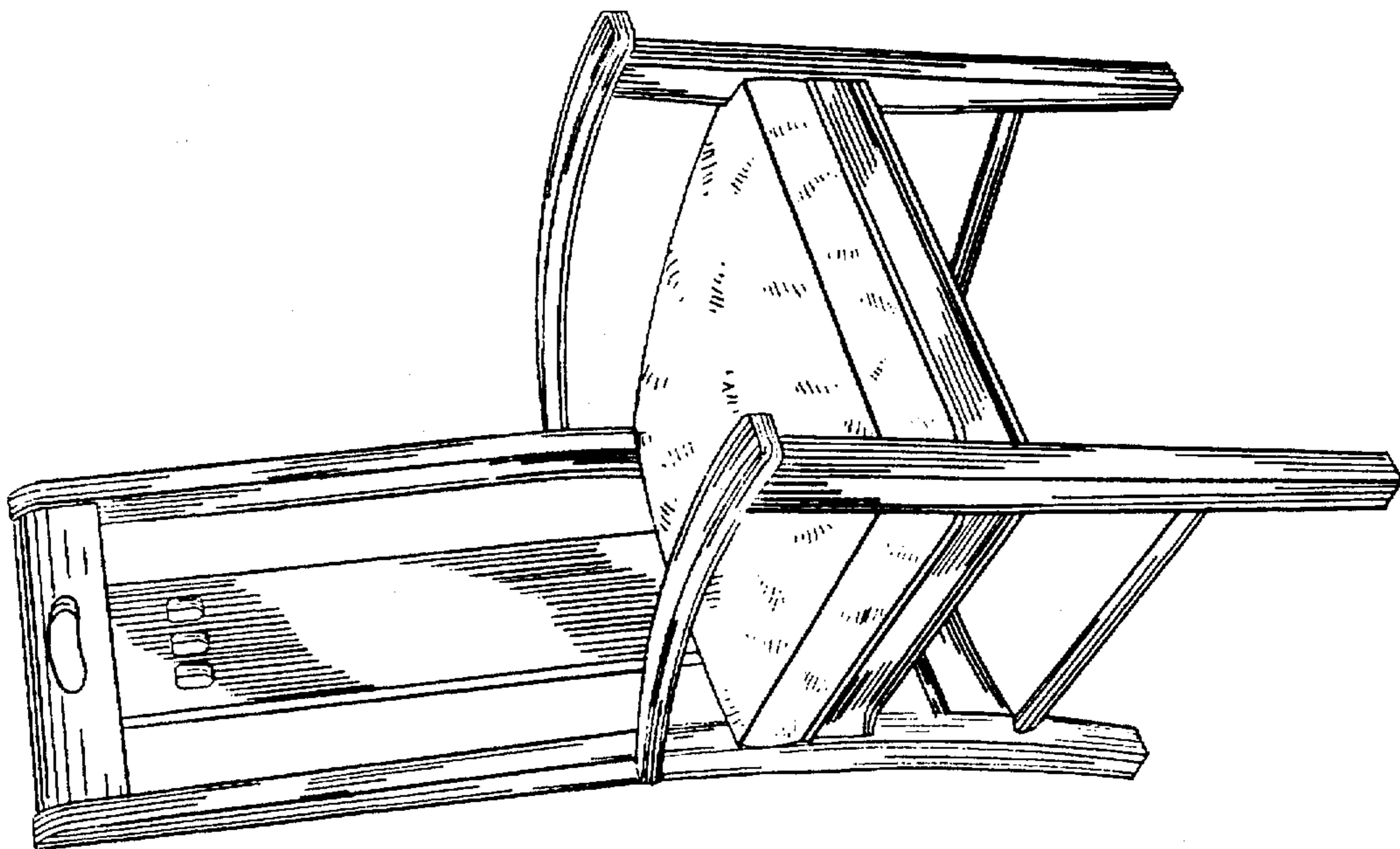


FIG. 1

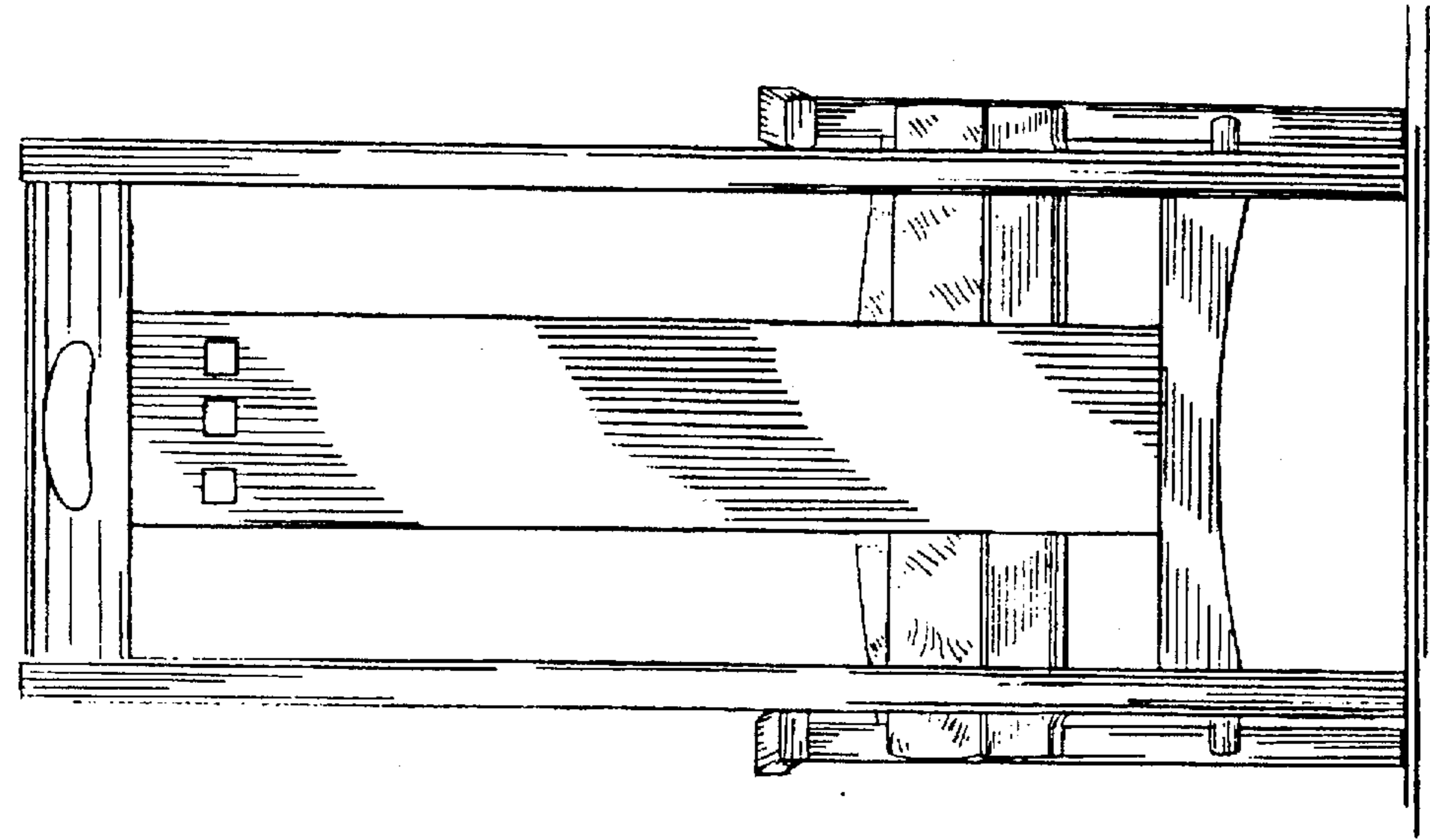


FIG. 4

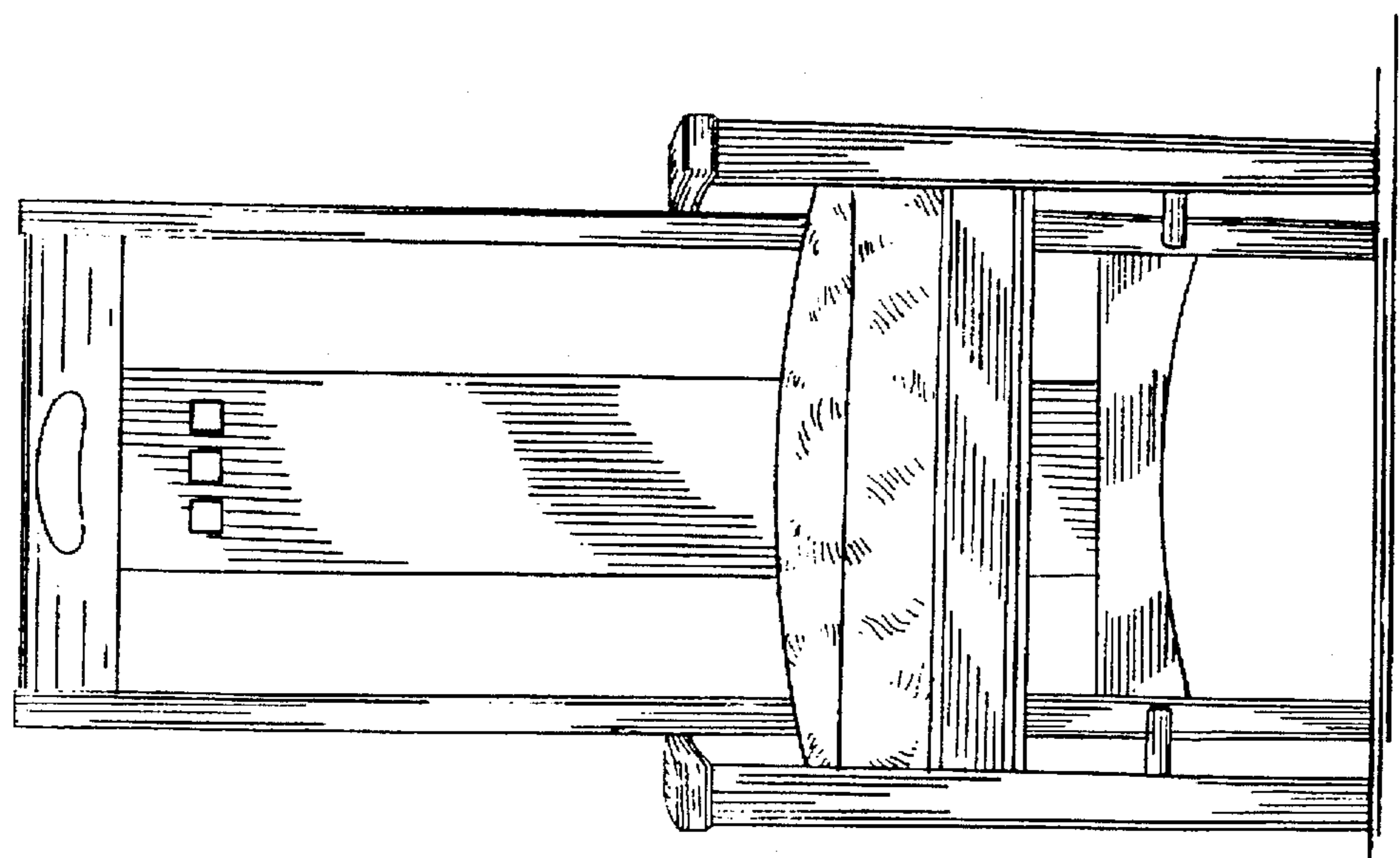


FIG. 3

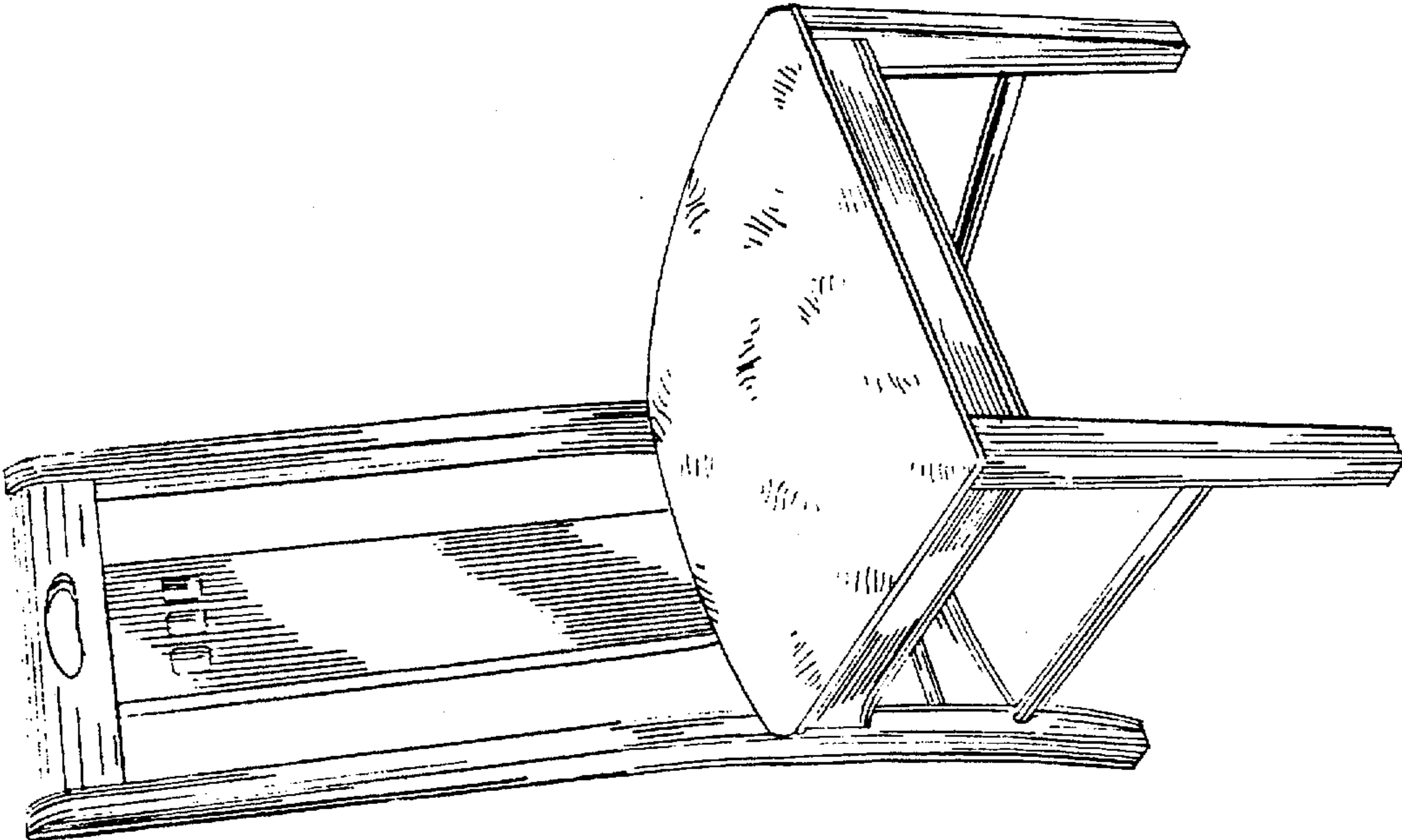


FIG. 6

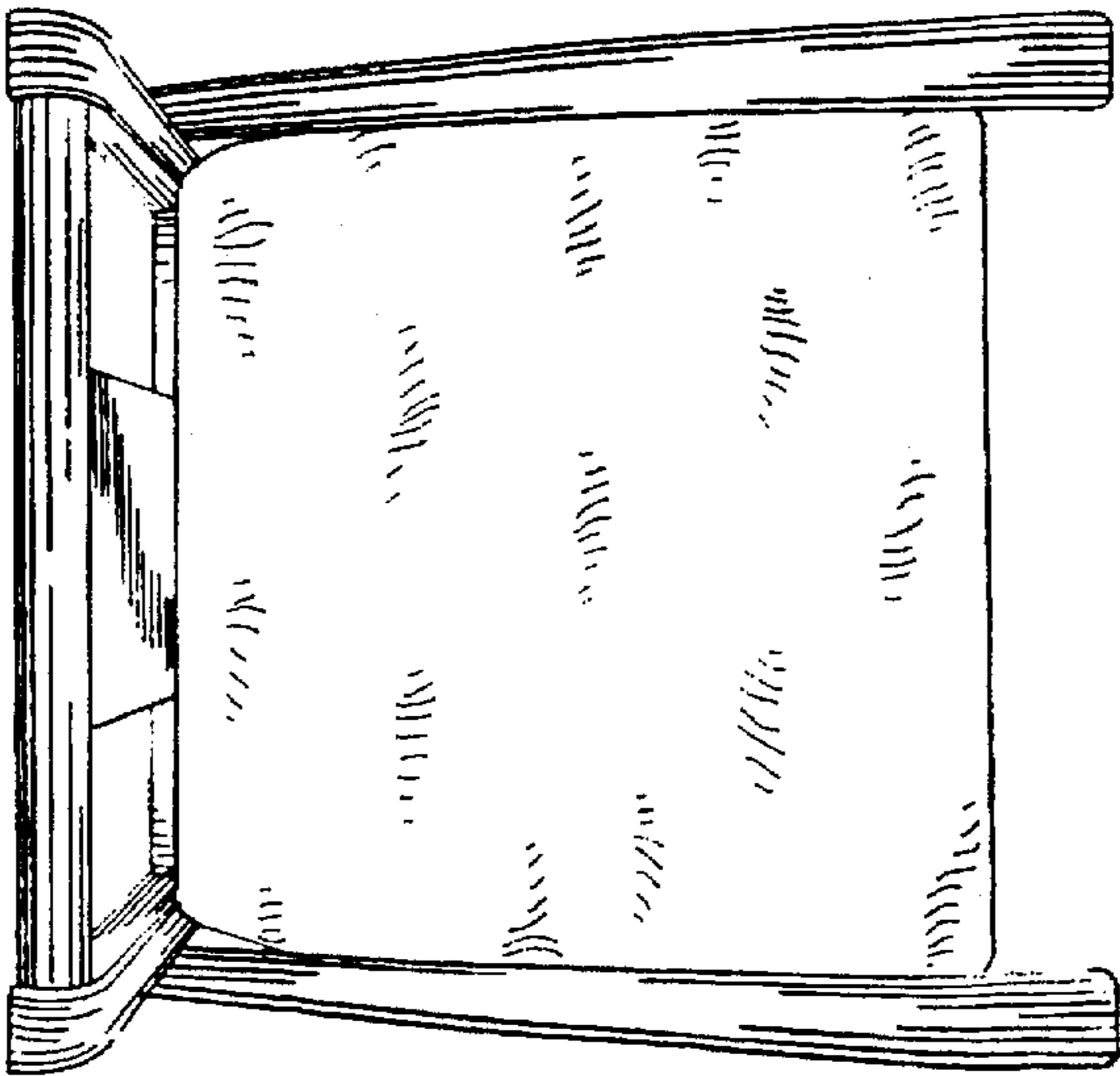


FIG. 5