



US00D407911S

United States Patent [19]
Bräuning

[11] **Patent Number: Des. 407,911**

[45] **Date of Patent: **Apr. 13, 1999**

[54] **CHAIR**

[75] **Inventor: Egon Bräuning, Weil am Rhein, Germany**

[73] **Assignee: Protoned B.V., Amsterdam, Denmark**

[**] **Term: 14 Years**

[21] **Appl. No.: 29/068,585**

[22] **Filed: Mar. 25, 1997**

[30] **Foreign Application Priority Data**

Sep. 26, 1996 [XH] Hague Agreement DM/037 662

[51] **LOC (6) Cl. 06-01**

[52] **U.S. Cl. D6/366**

[58] **Field of Search D6/334, 364, 365, D6/366, 367, 379, 500, 501, 502; 297/411.2**

[56] **References Cited**

U.S. PATENT DOCUMENTS

D. 211,461	6/1968	Walkinshaw	D6/366
D. 228,536	10/1973	Sottsass, Jr.	D6/366
D. 264,643	6/1982	Pelly	D6/366
D. 275,053	8/1984	Stephens	D6/366
D. 288,872	3/1987	Schultz	D6/366

D. 318,184	7/1991	Muller-Deisig et al.	D6/366
D. 340,589	10/1993	Chu	D6/366
D. 345,060	3/1994	Duncan	D6/366
D. 358,064	5/1995	Larkin	D6/366
D. 362,973	10/1995	Schultz	D6/366
D. 363,383	10/1995	Cronk	D6/366
D. 372,595	8/1996	Schultz et al.	D6/366
D. 372,799	8/1996	Qorians et al.	D6/366
D. 377,424	1/1997	Olson	D6/366

Primary Examiner—Gary D. Watson
Attorney, Agent, or Firm—Selitto & Associates

[57] **CLAIM**

The ornamental design for a chair, as shown and described.

DESCRIPTION

FIG. 1 is a front perspective view of a chair showing my new design;
FIG. 2 is a front elevational view thereof;
FIG. 3 is a rear elevational view thereof;
FIG. 4 is a top plan view thereof;
FIG. 5 is a bottom plan view thereof; and
FIG. 6 is a left side elevational view thereof; and,
FIG. 7 is a right side elevational view thereof.
FIGS. 3 through 7 have been shown on an enlarged scale with respect to FIGS. 1 and 2.

1 Claim, 4 Drawing Sheets

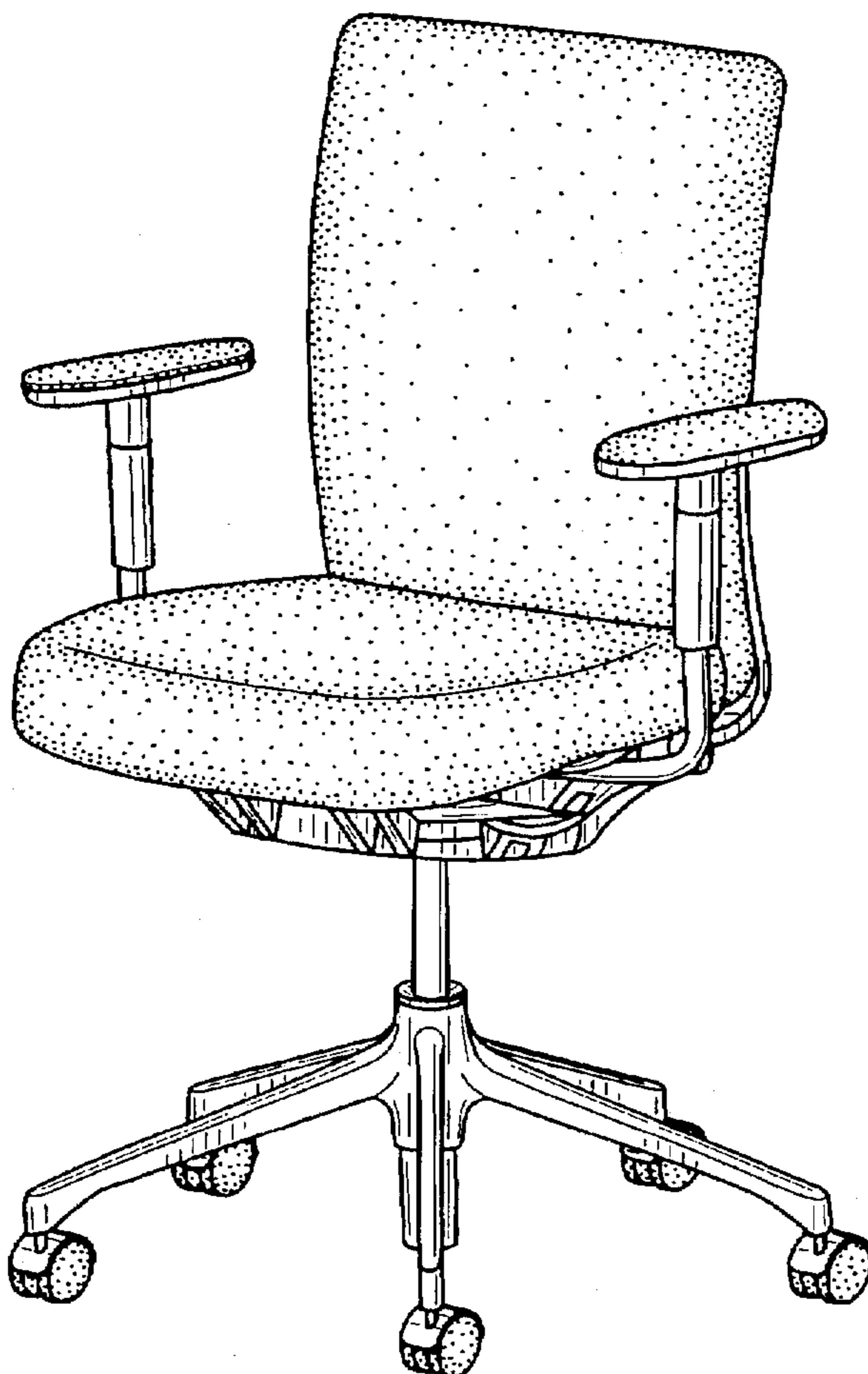


FIG. 1

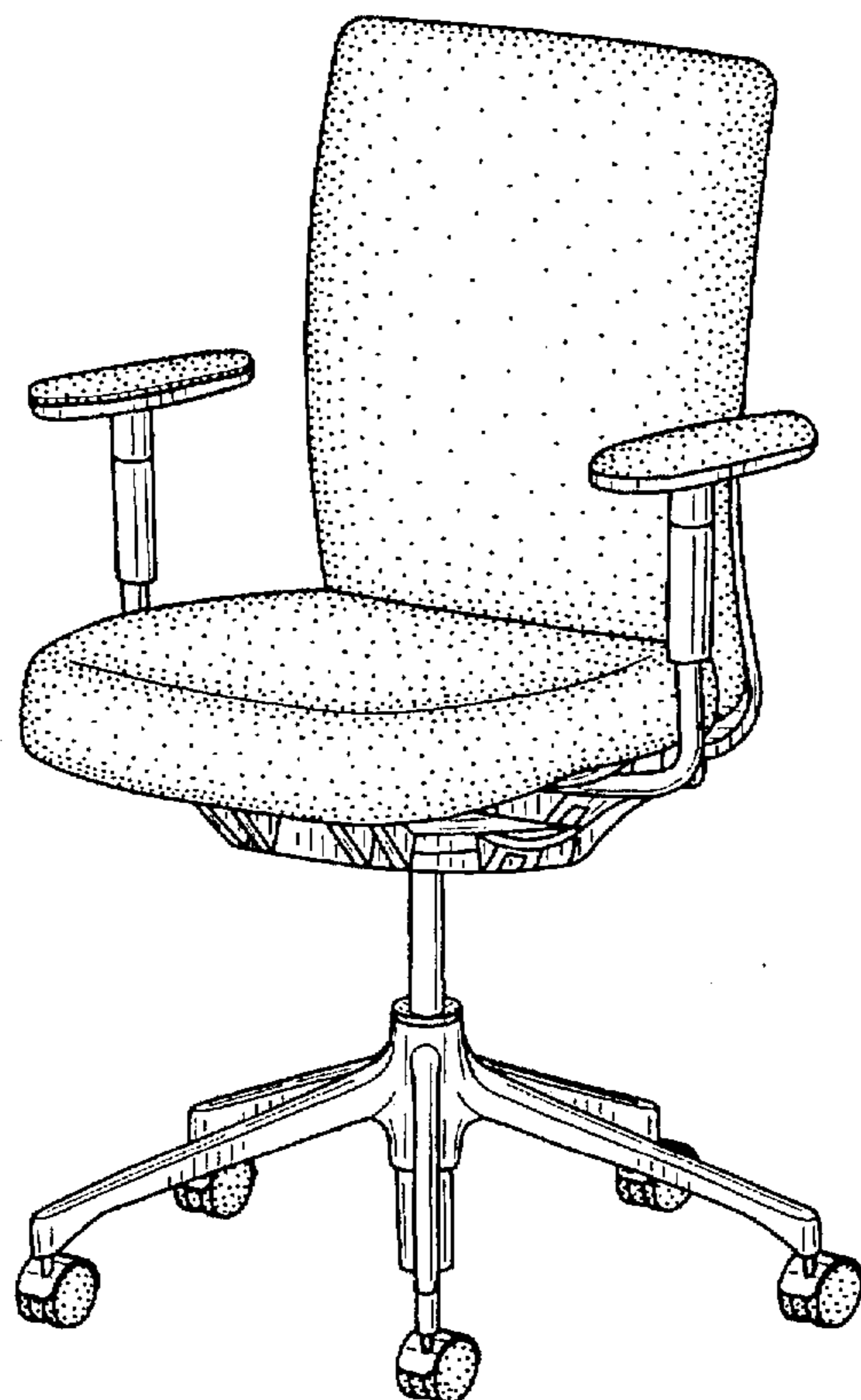


FIG. 2

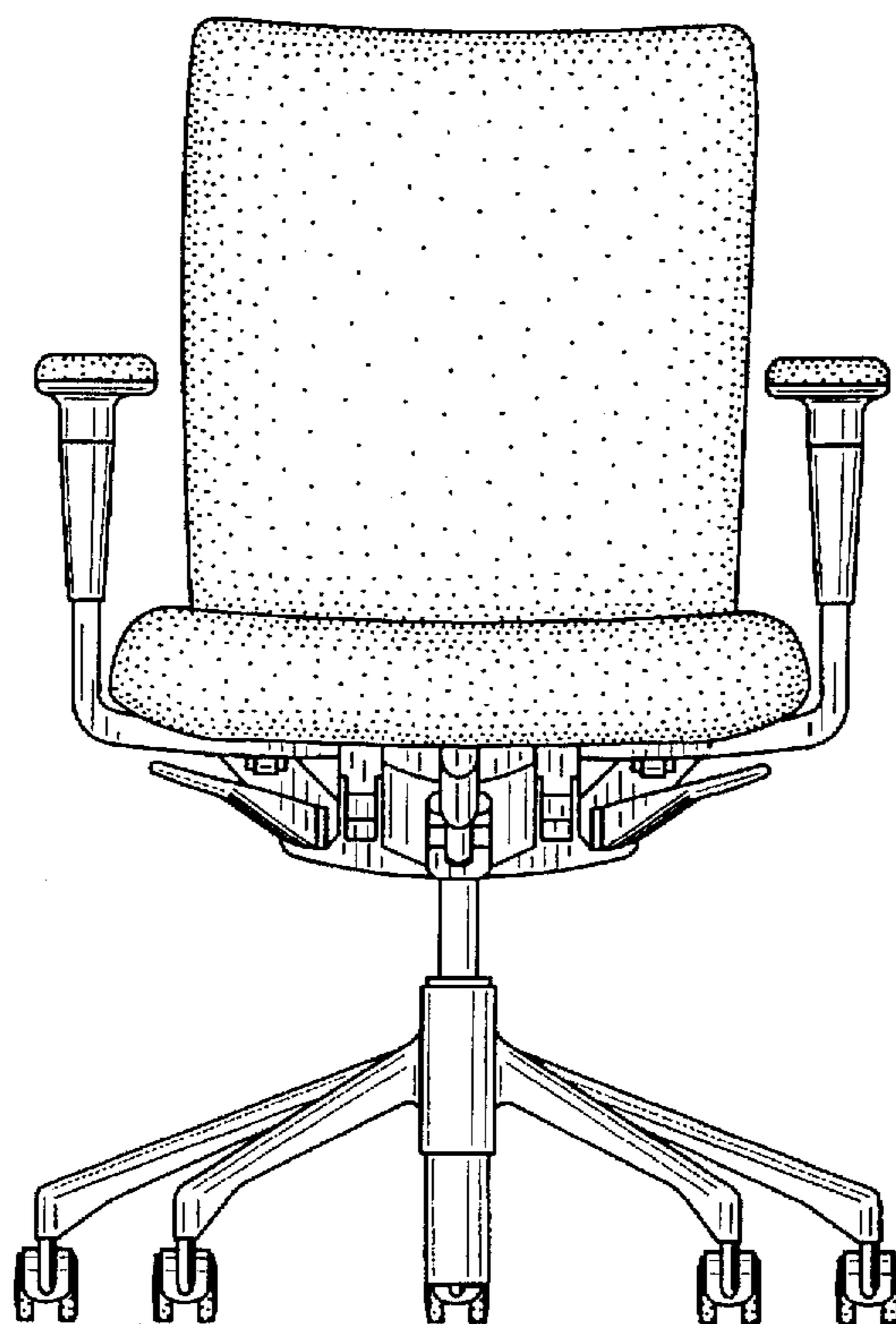


FIG. 3

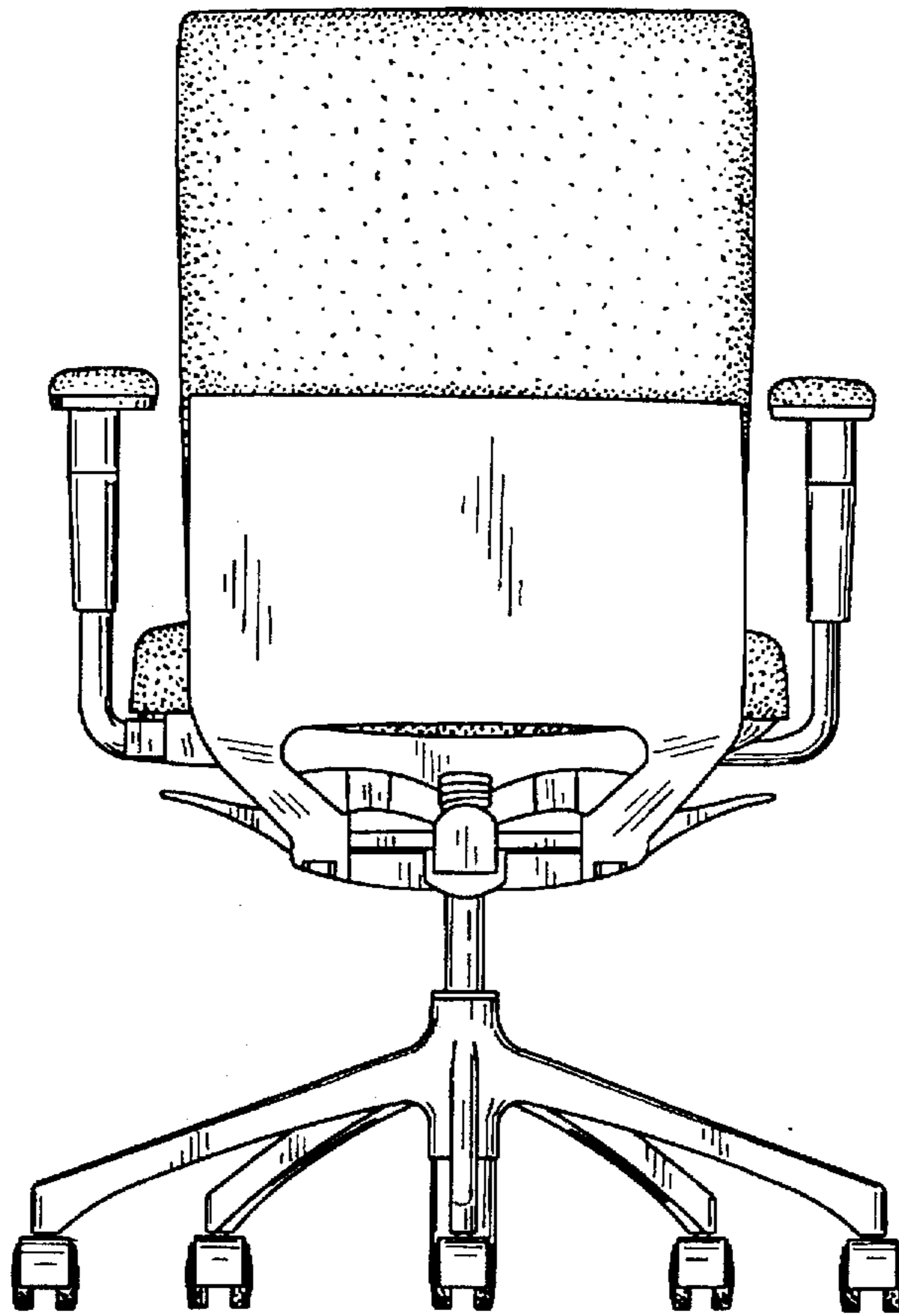


FIG. 4

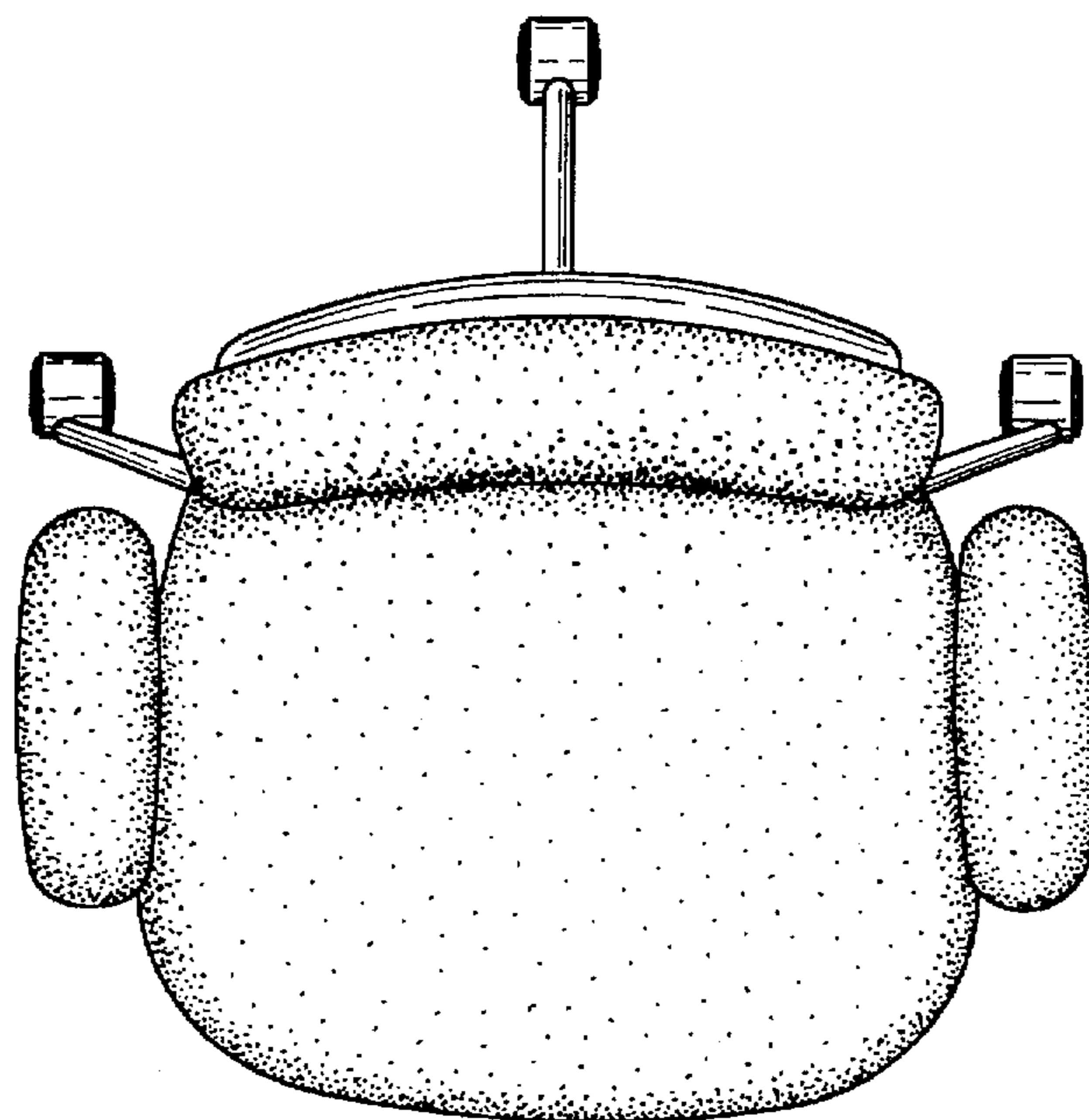


FIG. 5

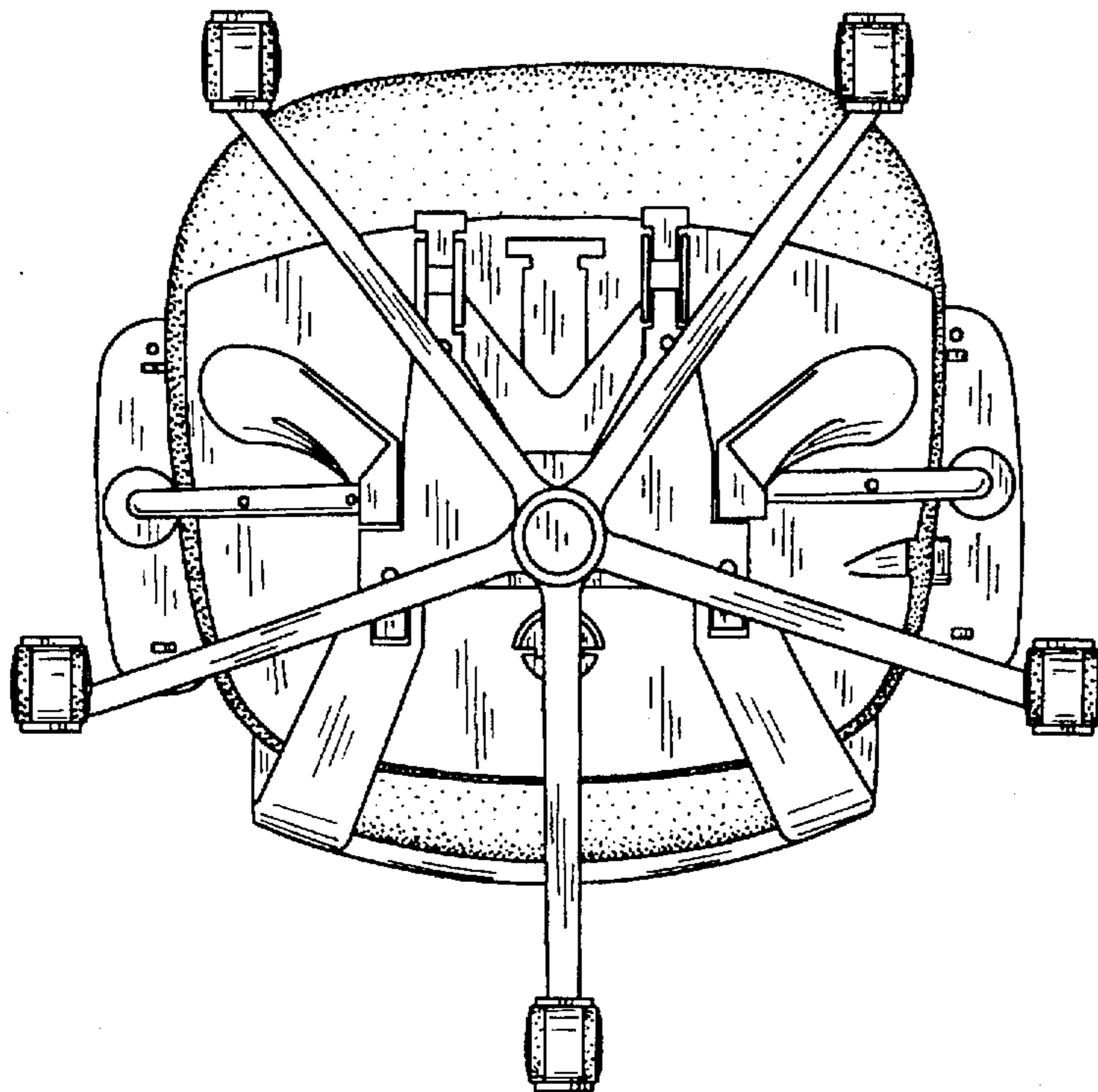


FIG. 6

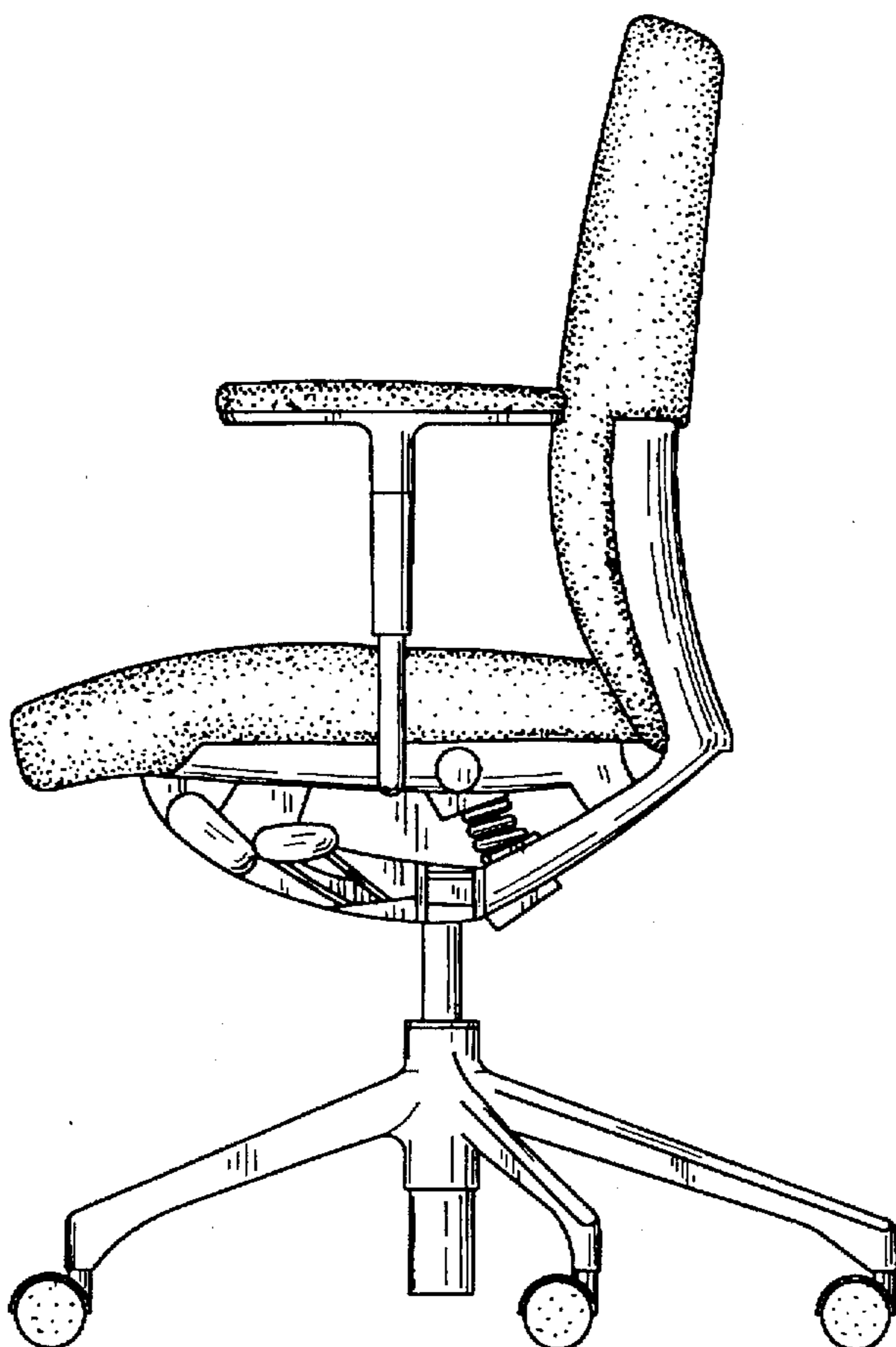


FIG. 7

