



US00D407908S

United States Patent [19]

Dickinson et al.

[11] Patent Number: Des. 407,908

[45] Date of Patent: **Apr. 13, 1999

[54] SHOE RACK

[75] Inventors: **Thomas Dickinson; Bradley D. Gale,**
both of St. Louis, Mo.

[73] Assignee: **Contico International, Inc.,** St. Louis,
Mo.

[**] Term: **14 Years**

[21] Appl. No.: **29/051,910**

[22] Filed: **Mar. 19, 1996**

[51] LOC (6) Cl. **06-08**

[52] U.S. Cl. **D6/320; D6/553**

[58] Field of Search **D6/315, 320, 317,**
D6/328, 462, 553; 211/34, 35, 94, 162

[56] **References Cited**

U.S. PATENT DOCUMENTS

- D. 165,942 2/1952 Stein .
- D. 270,118 8/1983 Wood .
- D. 290,562 6/1987 Tocci .
- D. 303,445 9/1989 Ferguson et al. .
- D. 318,196 7/1991 Sheng .
- D. 324,142 2/1992 Cassel .
- 2,695,106 11/1954 Cohen .
- 2,815,862 12/1957 Einhorn .
- 2,836,306 5/1958 Einhorn .
- 2,845,182 7/1958 Atkinson .
- 2,928,549 3/1960 Neuwirth .
- 2,943,741 7/1960 Atkinson .
- 2,969,155 1/1961 Atkinson .
- 3,539,052 11/1970 Bellock .
- 3,913,745 10/1975 Weiss .

- 4,463,853 8/1984 Licari et al. .
- 4,915,238 4/1990 Cassel .
- 4,981,221 1/1991 Davis .
- 5,076,442 12/1991 Hakeem .
- 5,103,985 4/1992 Davis .

FOREIGN PATENT DOCUMENTS

1428114 3/1966 United Kingdom .

Primary Examiner—Terry A. Wallace
Attorney, Agent, or Firm—Howell & Haferkamp, LC

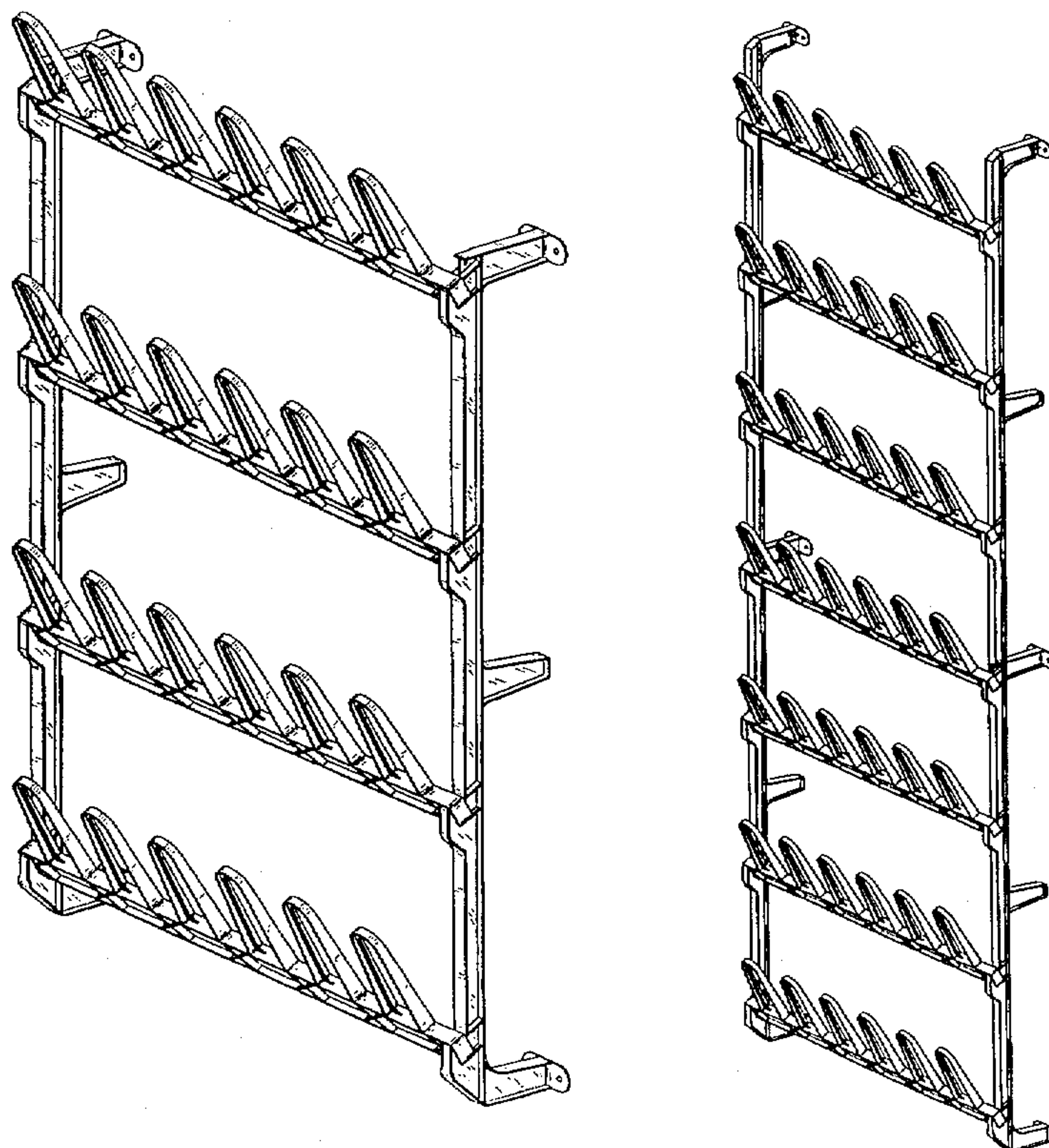
[57] **CLAIM**

The ornamental design for a shoe rack, as shown and described.

DESCRIPTION

FIG. 1 is a perspective view of a shoe rack showing our new design;
 FIG. 2 is a top plan view thereof;
 FIG. 3 is a bottom plan view thereof;
 FIG. 4 is a front elevation view thereof;
 FIG. 5 is a rear elevation view thereof;
 FIG. 6 is a right side elevation view thereof, the left side being a mirror image;
 FIG. 7 is a perspective view of an alternate embodiment of FIG. 1;
 FIG. 8 is a top plan view of FIG. 7;
 FIG. 9 is a bottom plan view of FIG. 7;
 FIG. 10 is a front elevation view of FIG. 7;
 FIG. 11 is a rear elevation view of FIG. 7; and,
 FIG. 12 is a right side elevation view of FIG. 7, the left side being a mirror image.

1 Claim, 10 Drawing Sheets



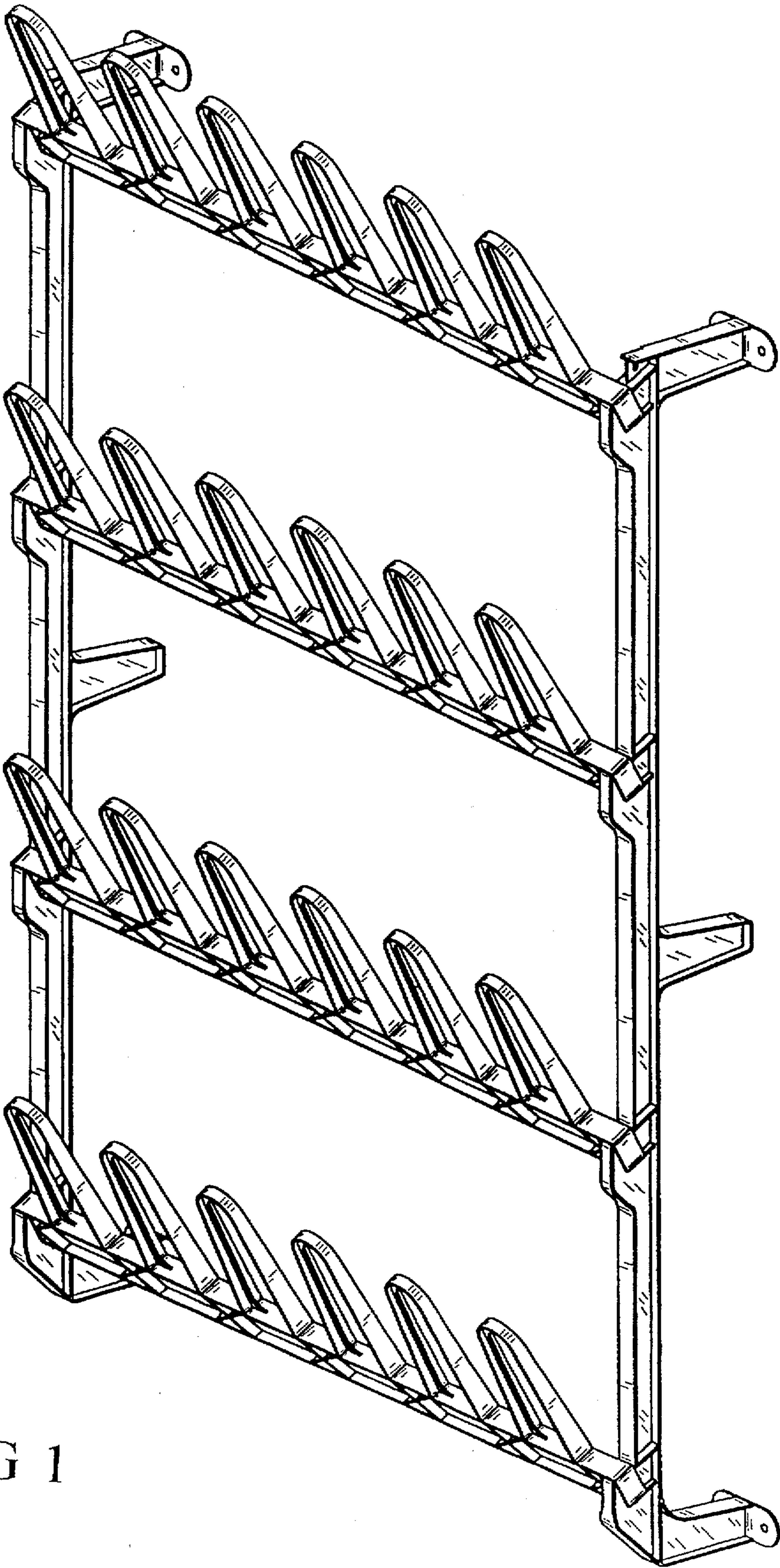


FIG 1

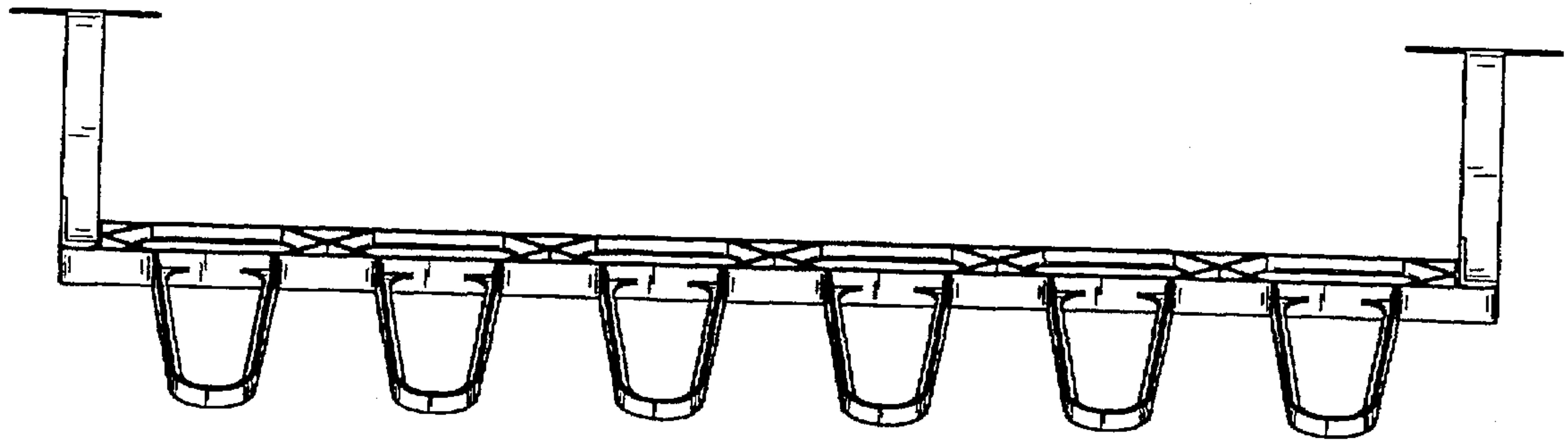


FIG 2

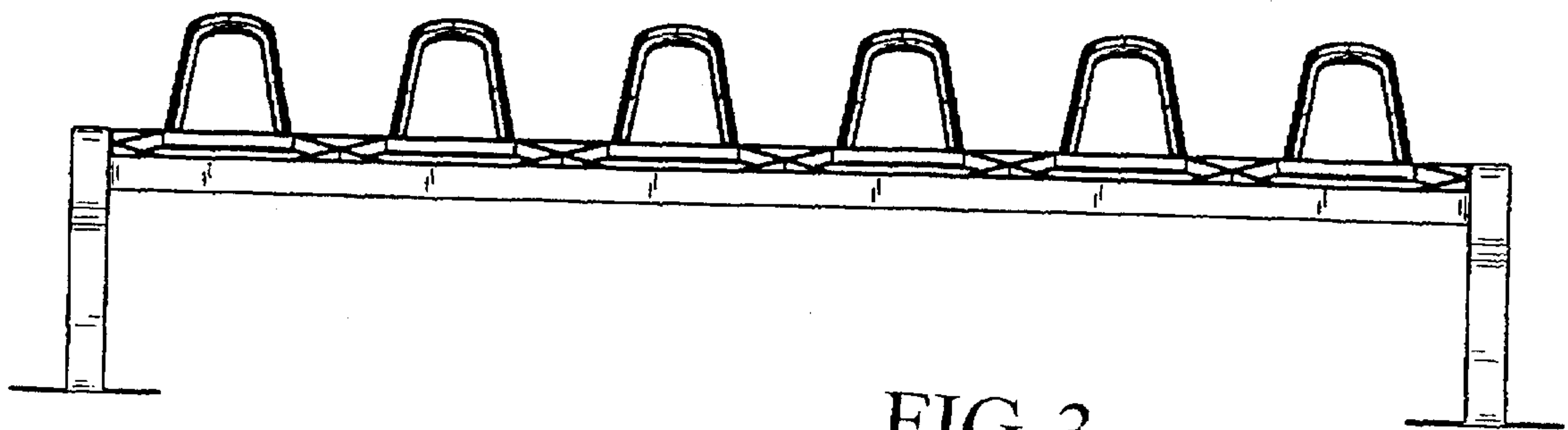


FIG 3

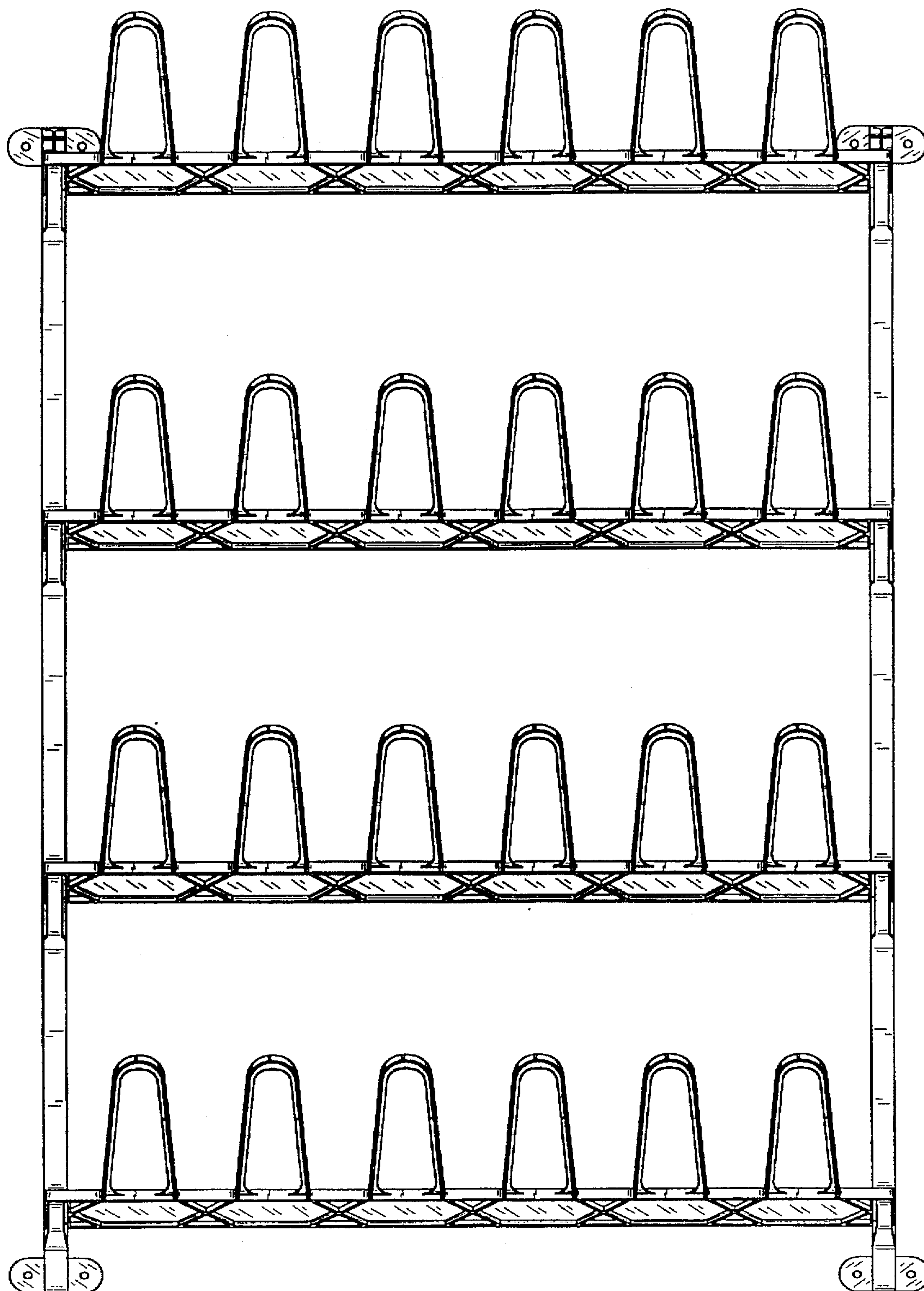


FIG 4

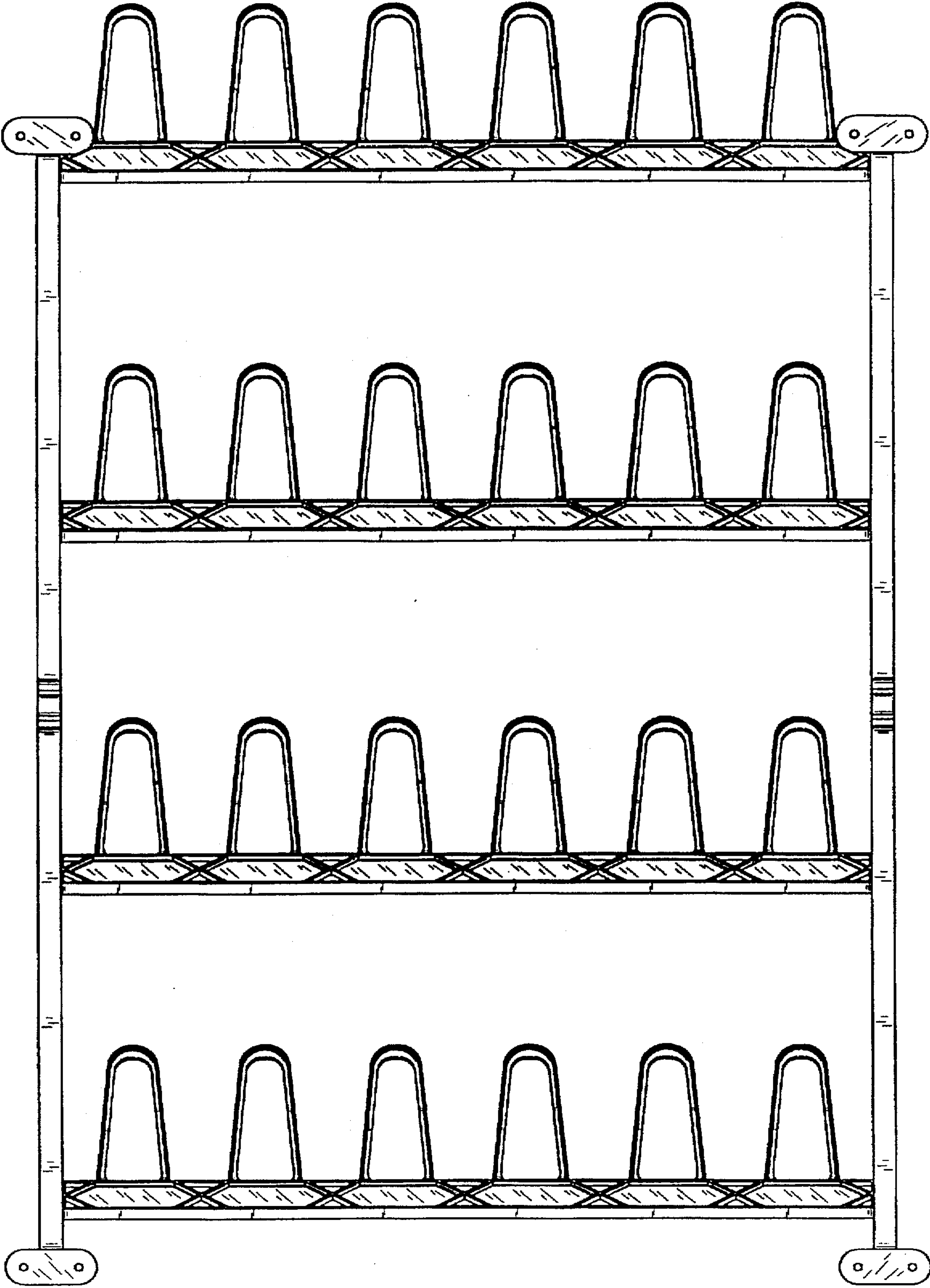


FIG 5

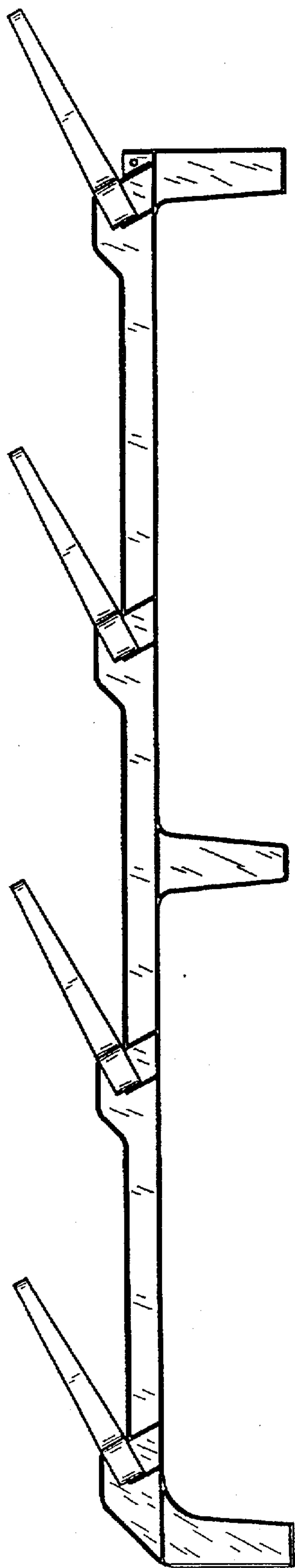


FIG 6

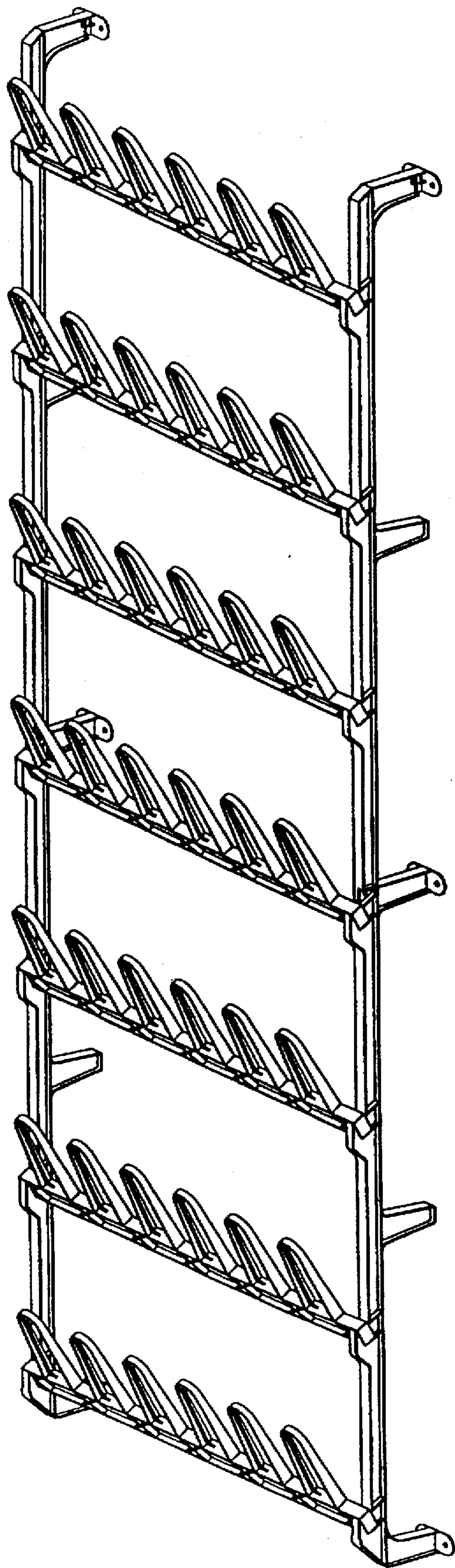


FIG 7

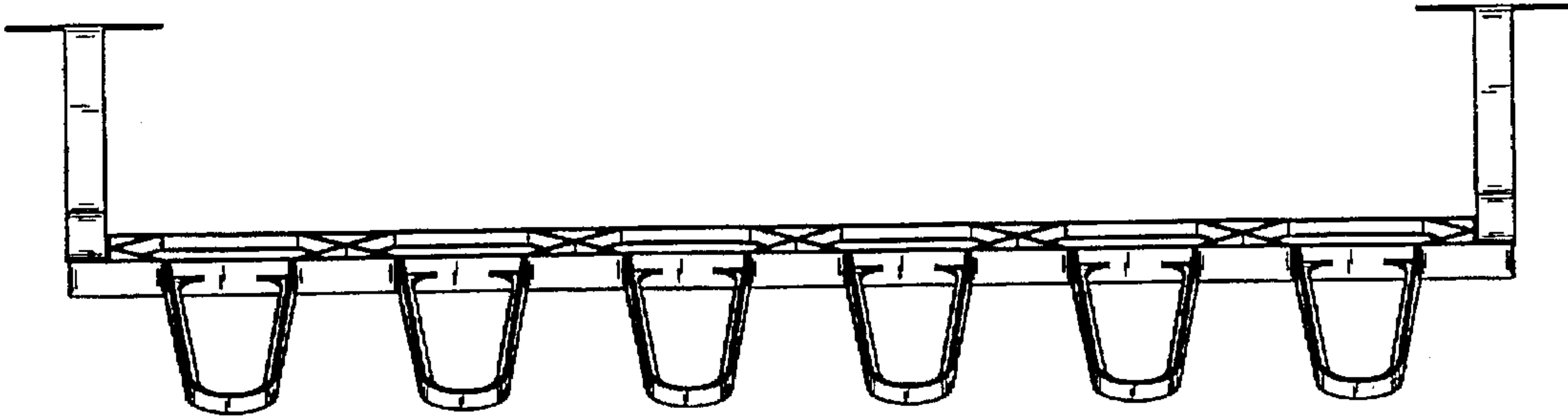


FIG 8

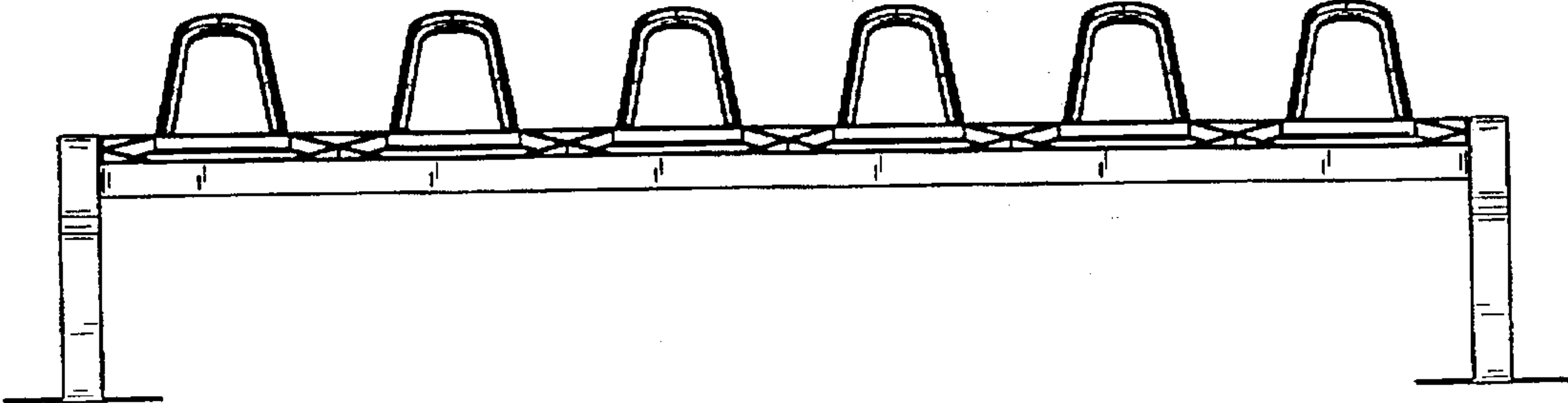


FIG 9

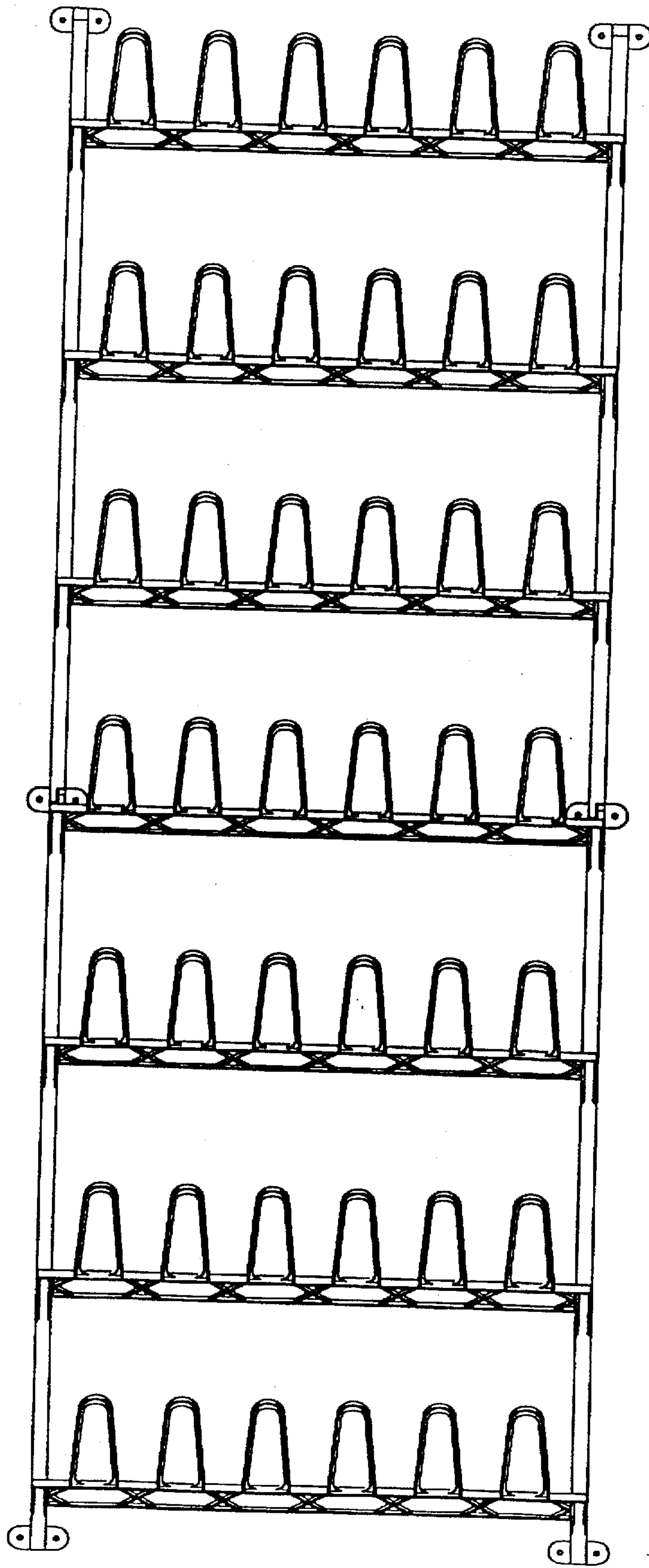


FIG 10

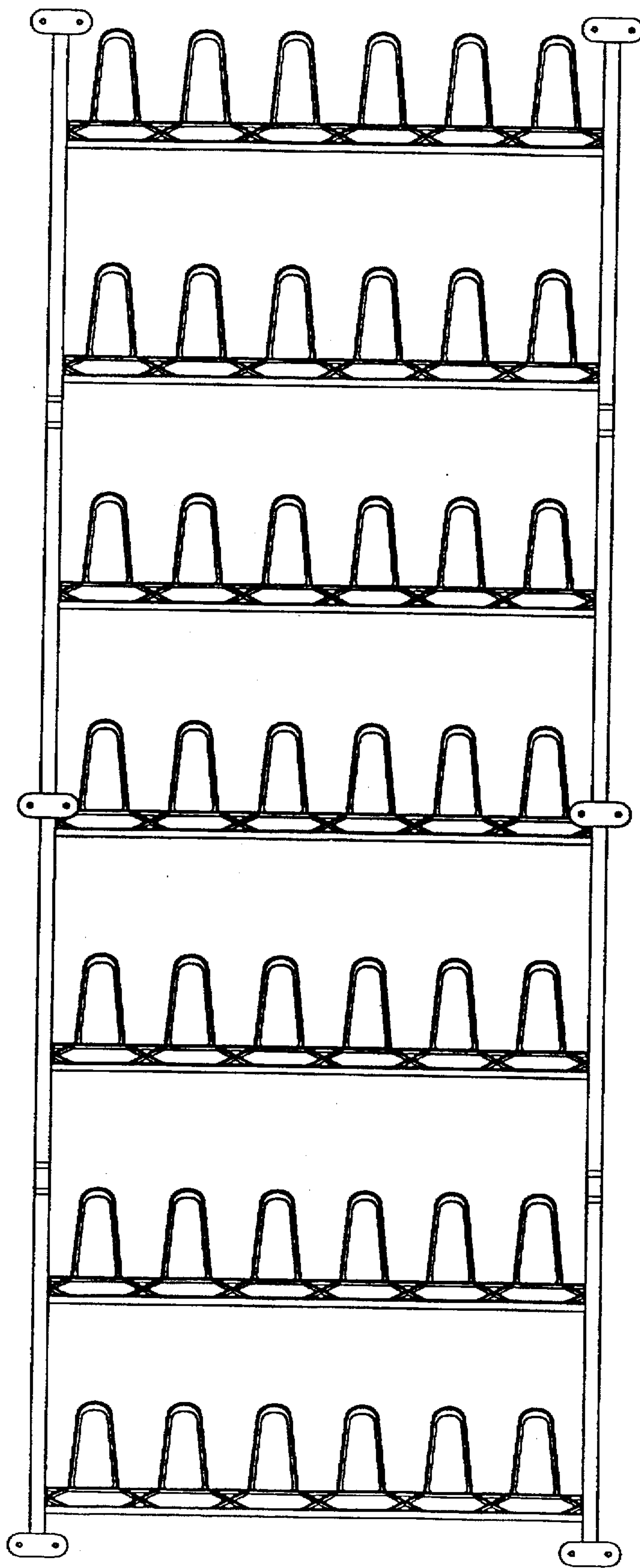


FIG 11

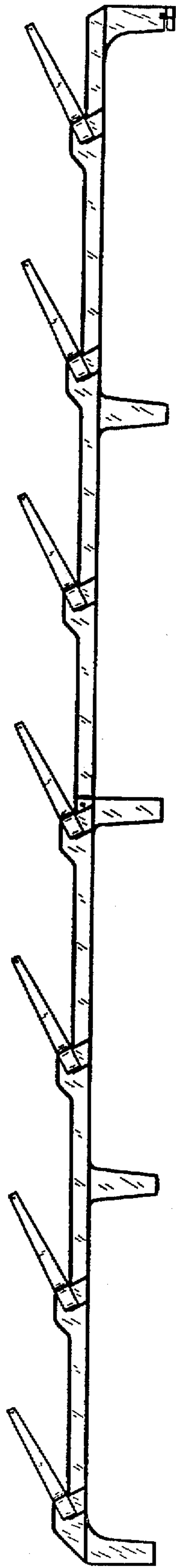


FIG 12