



US00D407901S

United States Patent [19]

[11] Patent Number: **Des. 407,901**

Burton

[45] Date of Patent: ****Apr. 13, 1999**

[54] **CURB AND GUTTER BROOM**

[76] Inventor: **Robert D. Burton**, 1928 Pleasant Ave., Ceres, Calif. 95307

[**] Term: **14 Years**

[21] Appl. No.: **29/021,998**

[22] Filed: **Apr. 28, 1994**

Related U.S. Application Data

[63] Continuation of application No. 07/873,561, Apr. 27, 1992, abandoned.

[51] LOC (6) Cl. **04-01**

[52] U.S. Cl. **D4/135**

[58] Field of Search D4/119, 130, 132, D4/135, 199; 15/106, 146, 159.1, 160, 171, 176.1

[56] References Cited

U.S. PATENT DOCUMENTS

2,671,918	3/1954	Jones	15/106
3,436,782	4/1969	Ayala	15/87
3,761,990	10/1973	Lynn	15/160
3,875,607	4/1975	Rosseau	15/180

4,208,755	6/1980	Shepherd	15/160
4,554,699	11/1985	Simmons	15/146 X
4,848,818	7/1989	Smith	294/19.1
4,854,002	8/1989	Smith	15/176.6
4,882,802	11/1989	LeVere, Jr.	15/144 R

OTHER PUBLICATIONS

Brochure distributed by American Inventors Corporation approximately during Jun. 1992.

Primary Examiner—Alan P. Douglas
Assistant Examiner—Lavone D. Tabor

[57] CLAIM

The ornamental design for a curb and gutter broom, as shown and described.

DESCRIPTION

FIG. 1 is a front elevational view of the curb and gutter broom showing my new design; FIG. 2 is a rear elevational view thereof; FIG. 3 is a left side elevational view thereof; FIG. 4 is a right side elevational view thereof; FIG. 5 is a top plan view thereof; and, FIG. 6 is a bottom plan view thereof.

1 Claim, 3 Drawing Sheets

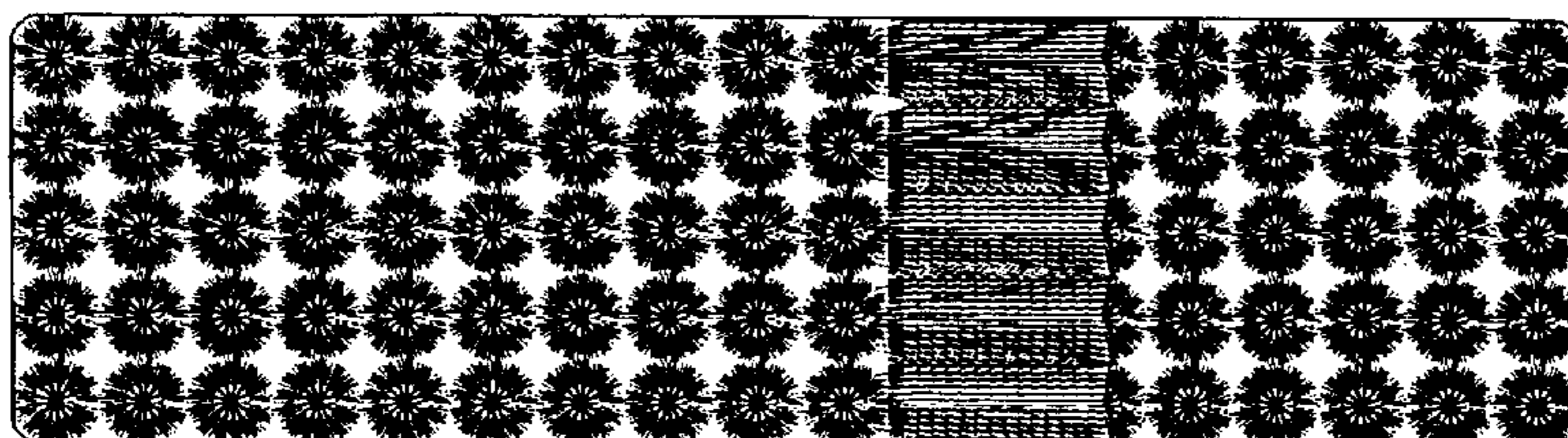
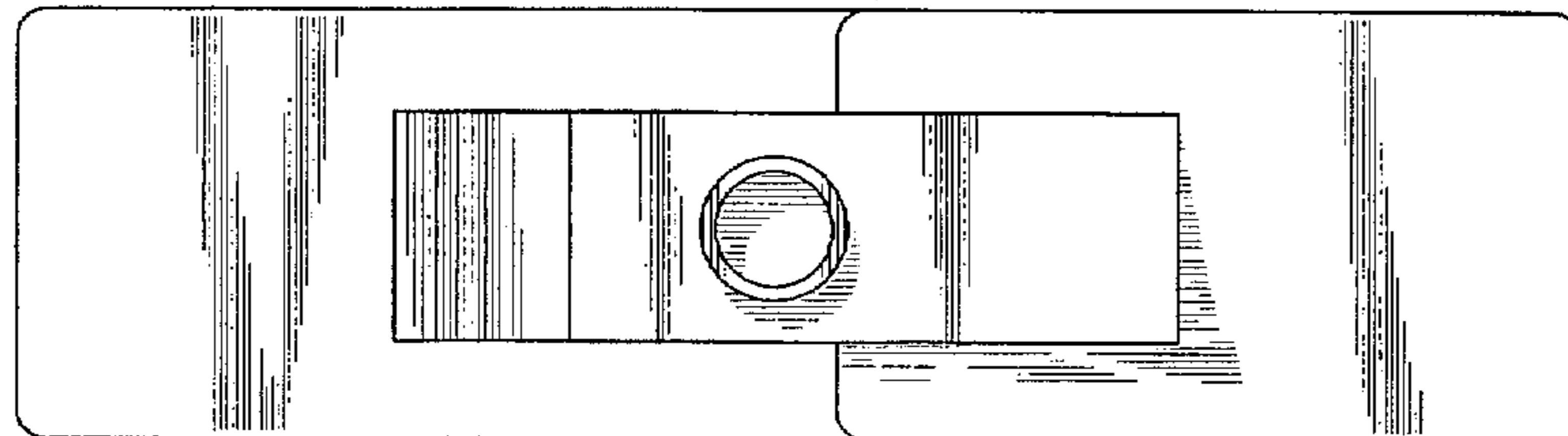
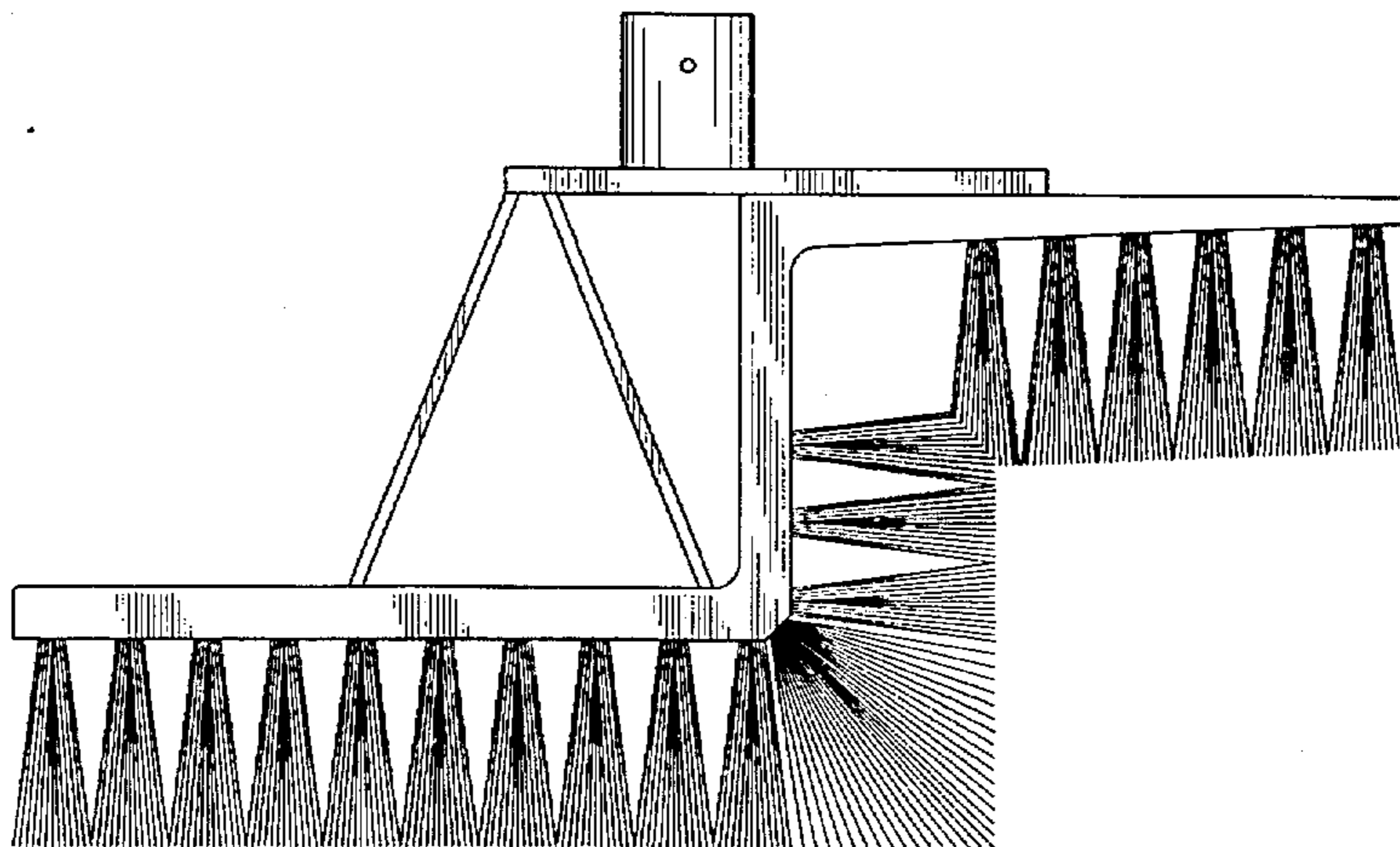


FIG. 1

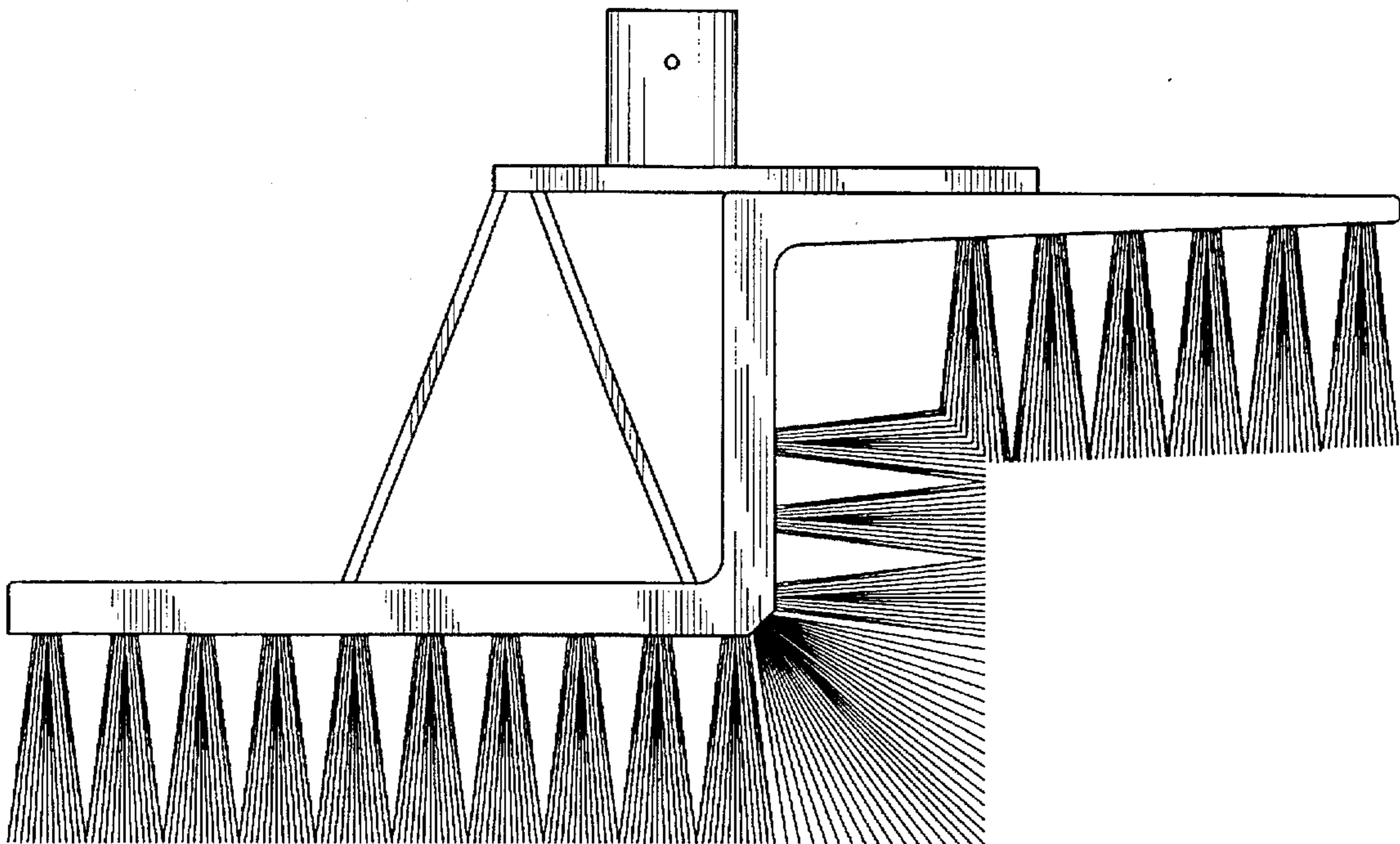


FIG. 2

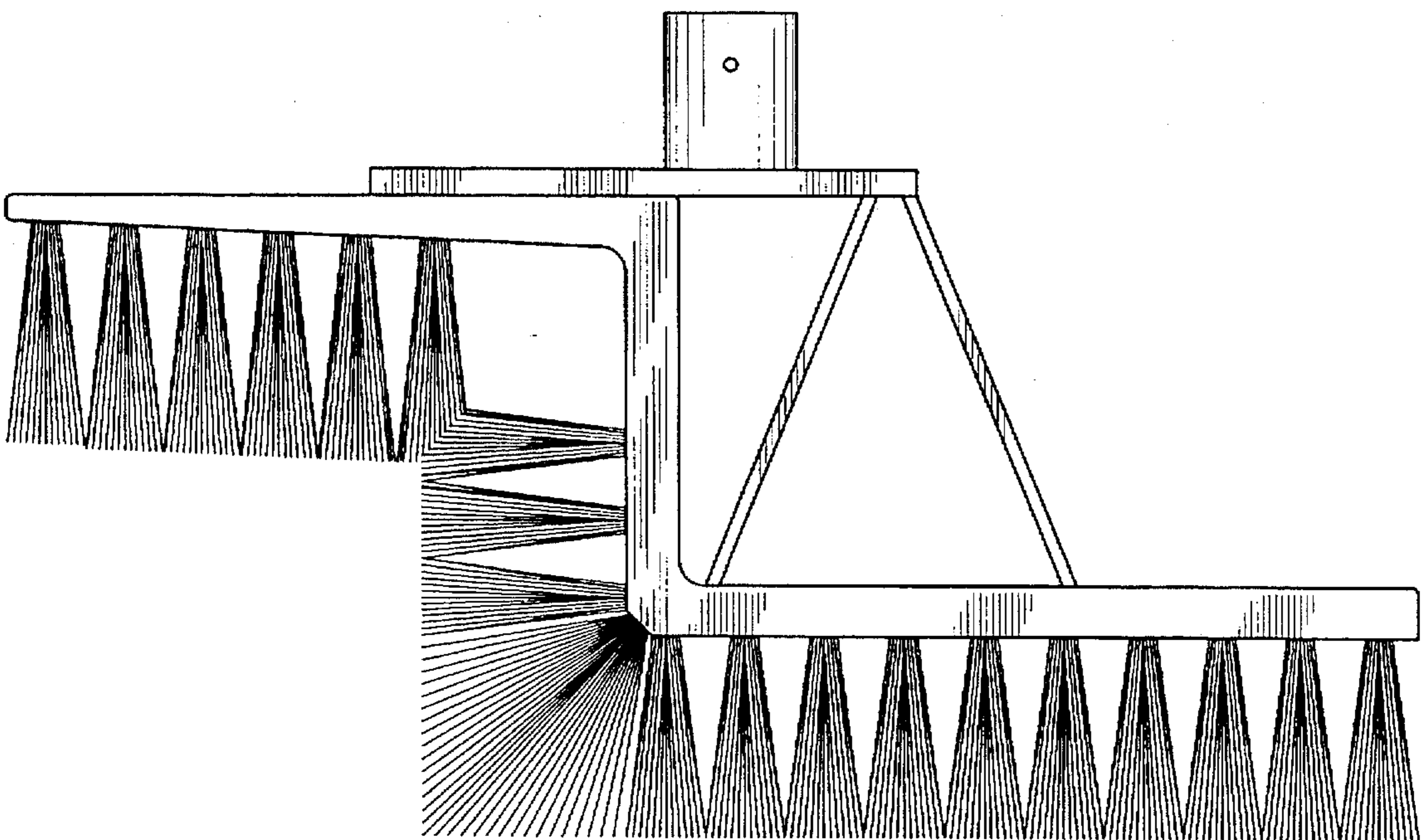


FIG. 3

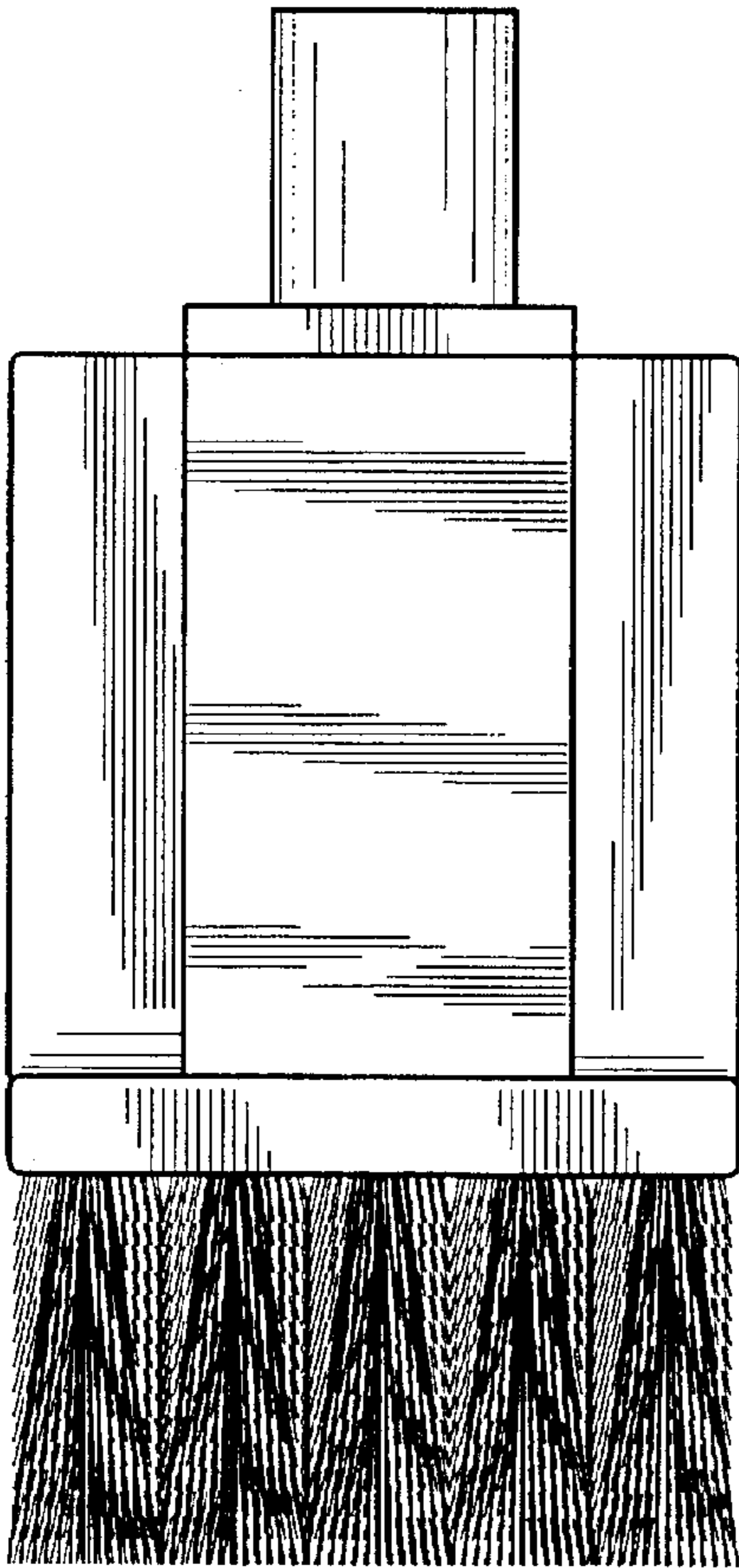


FIG. 4

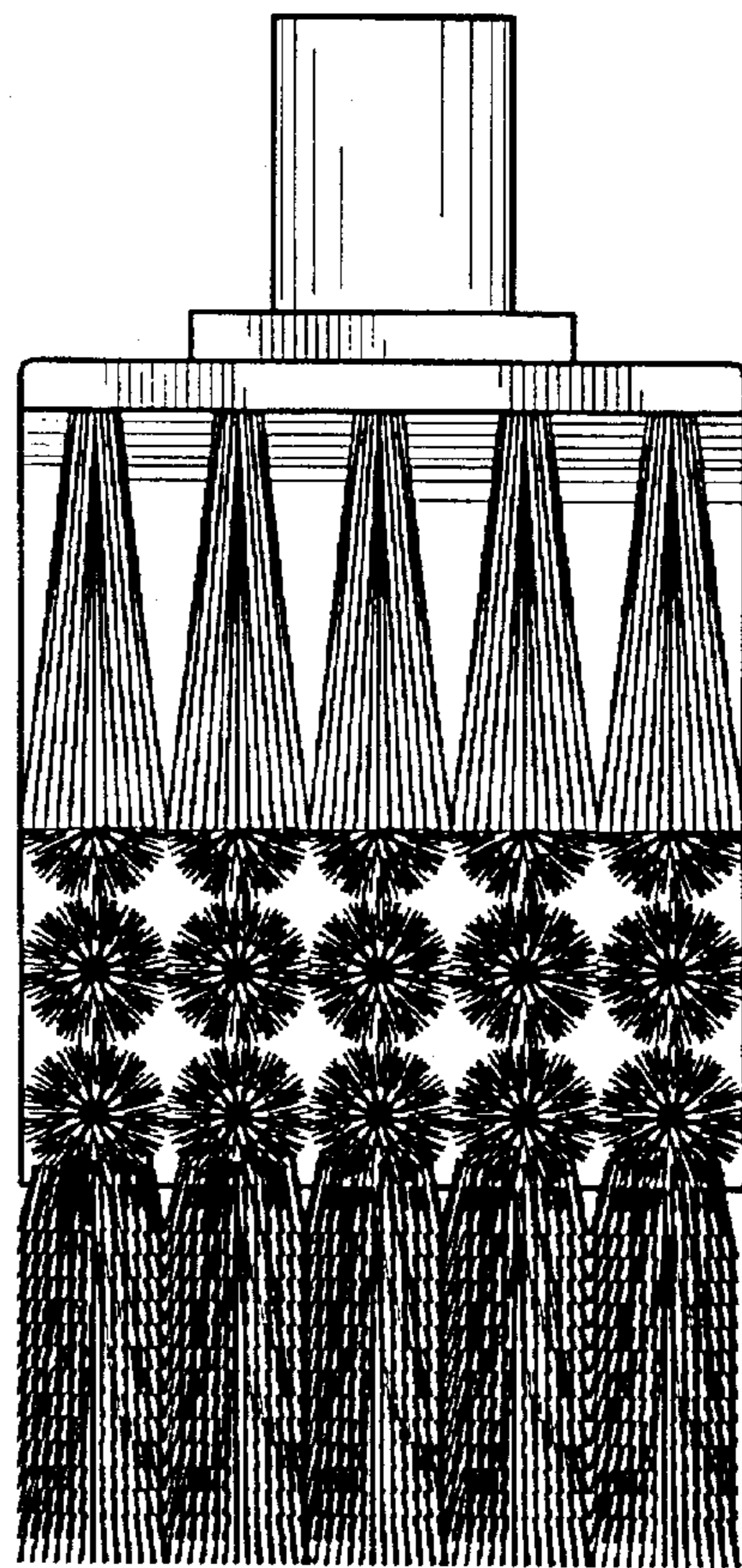


FIG. 5

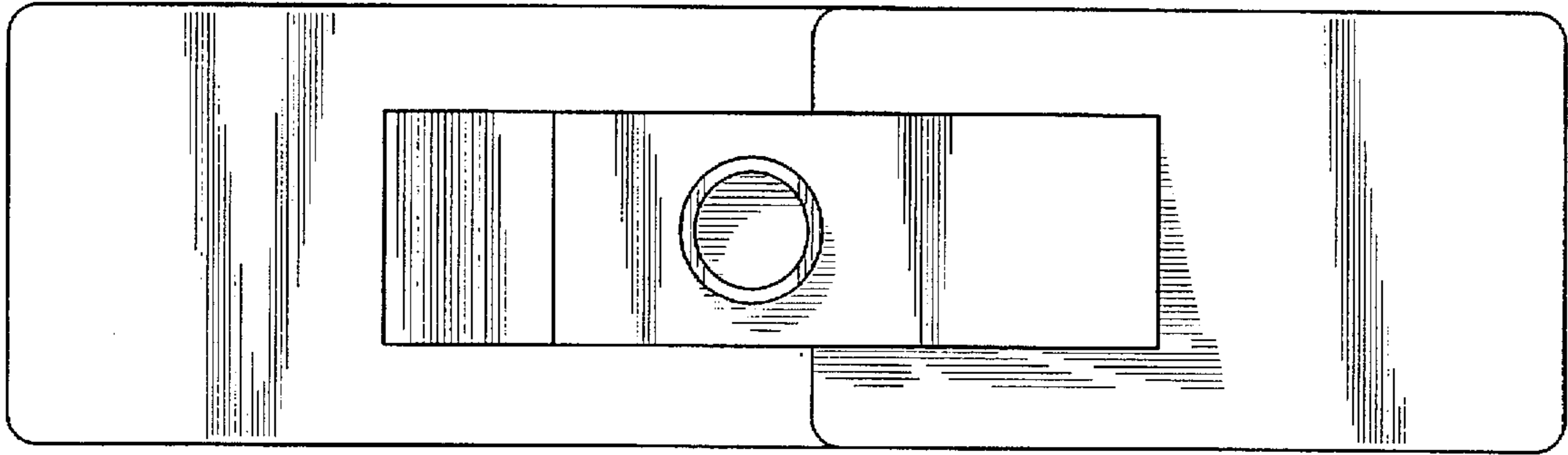


FIG. 6

