



US00D407895S

# United States Patent [19]

Staley

[11] Patent Number: **Des. 407,895**

[45] Date of Patent: **\*\*Apr. 13, 1999**

[54] **DRUM KEY HOLSTER AND RING**

3,522,829 8/1970 Weintraub ..... 206/37.1  
3,882,704 5/1975 Shanok et al. .... 70/456 R

[76] Inventor: **James A. Staley**, 330 Country Road 14,  
Cottam, Ontario, N0R 1B0, Canada

*Primary Examiner*—Ralf Seifert  
*Attorney, Agent, or Firm*—Chupa and Alberti, P.C.

[\*\*] Term: **14 Years**

### [57] CLAIM

[21] Appl. No.: **29/083,401**

I claim the ornamental design for a drum key holster and ring, as shown and described.

[22] Filed: **Jan. 30, 1998**

### DESCRIPTION

[51] LOC (6) Cl. .... **03-01**

[52] U.S. Cl. .... **D3/207; D17/22**

[58] Field of Search ..... **D3/207-211; 70/458,  
70/456 R; D8/21, 347; D9/307, 385; 206/37.1;  
D17/22; 84/413**

FIG. 1 is a front and left hand side perspective view of my design for a drum key holster and ring;

FIG. 2 is a front right hand side perspective view of a drum key shown in FIG. 1;

FIG. 3 is a front left hand side exploded, unassembled view of my design for a drum key holster and ring;

FIG. 4 is a front view of my design for a drum key holster and ring;

FIG. 5 is a back view thereof;

FIG. 6 is a right side view thereof;

FIG. 7 is a left side view thereof;

FIG. 8 is a bottom view thereof; and,

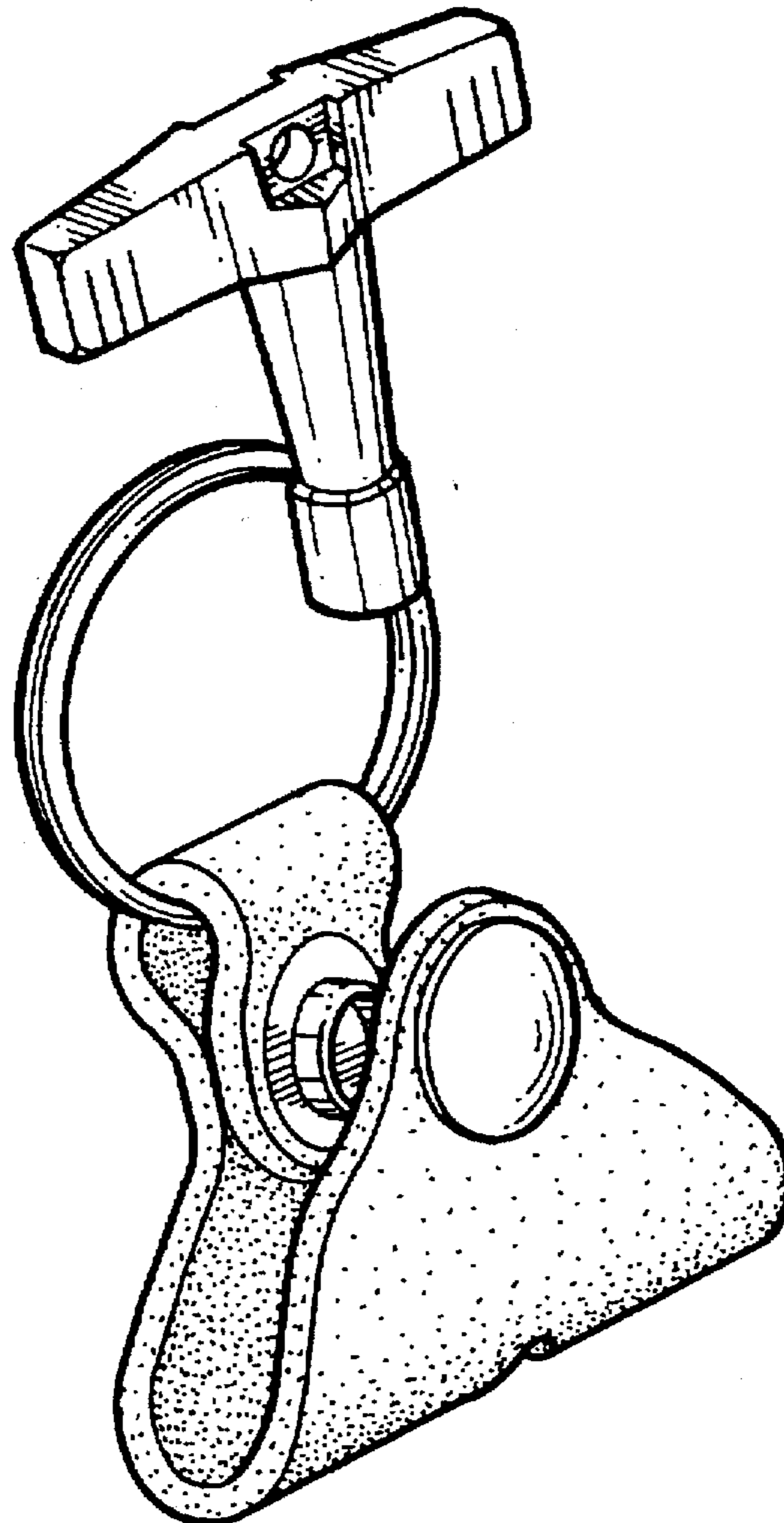
FIG. 9 is a top view thereof.

### [56] References Cited

#### U.S. PATENT DOCUMENTS

D. 166,457	4/1952	Dreyfuss	.....	D8/347
D. 185,894	8/1959	Dawson	.....	D3/210
D. 236,557	8/1975	Rubin	.....	D3/207
D. 238,525	1/1976	Watts	.....	D3/208
D. 290,581	6/1987	Hughes	.....	D8/347
D. 320,805	10/1991	Sassmannshausen et al.	.....	D17/22
D. 346,100	4/1994	Behrenfeld	.....	D17/22

**1 Claim, 3 Drawing Sheets**



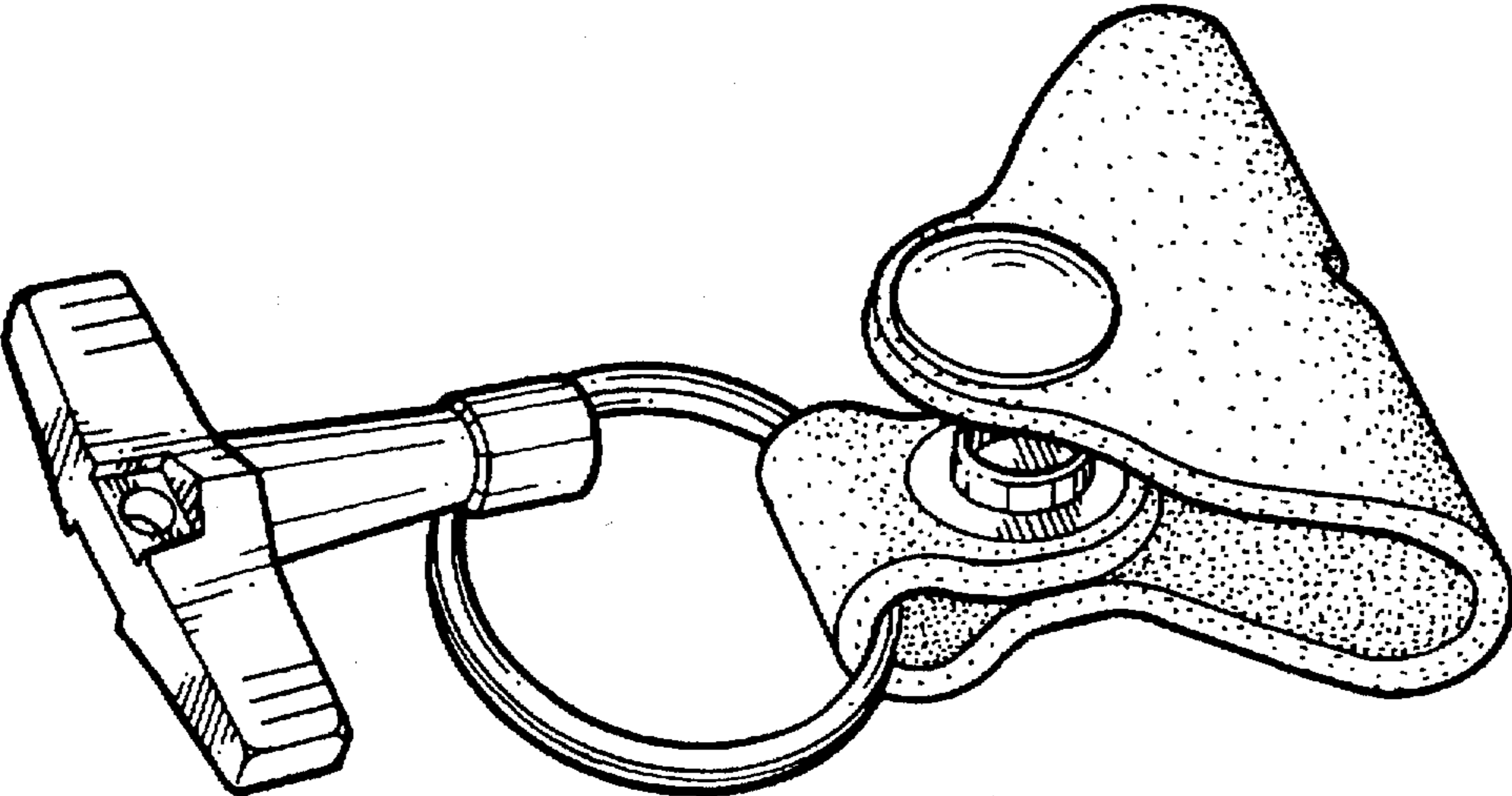


FIG. 3

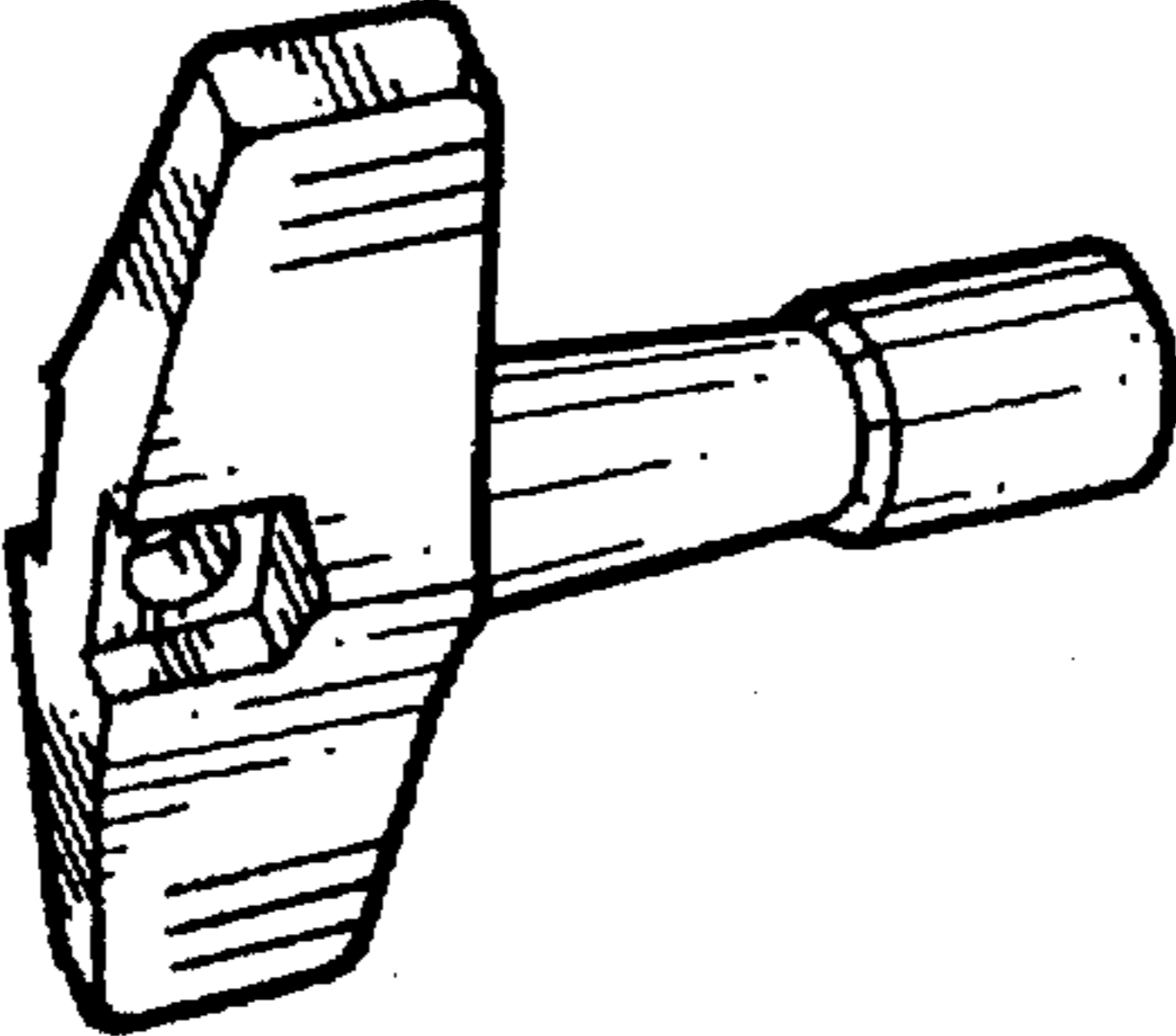


FIG. 2

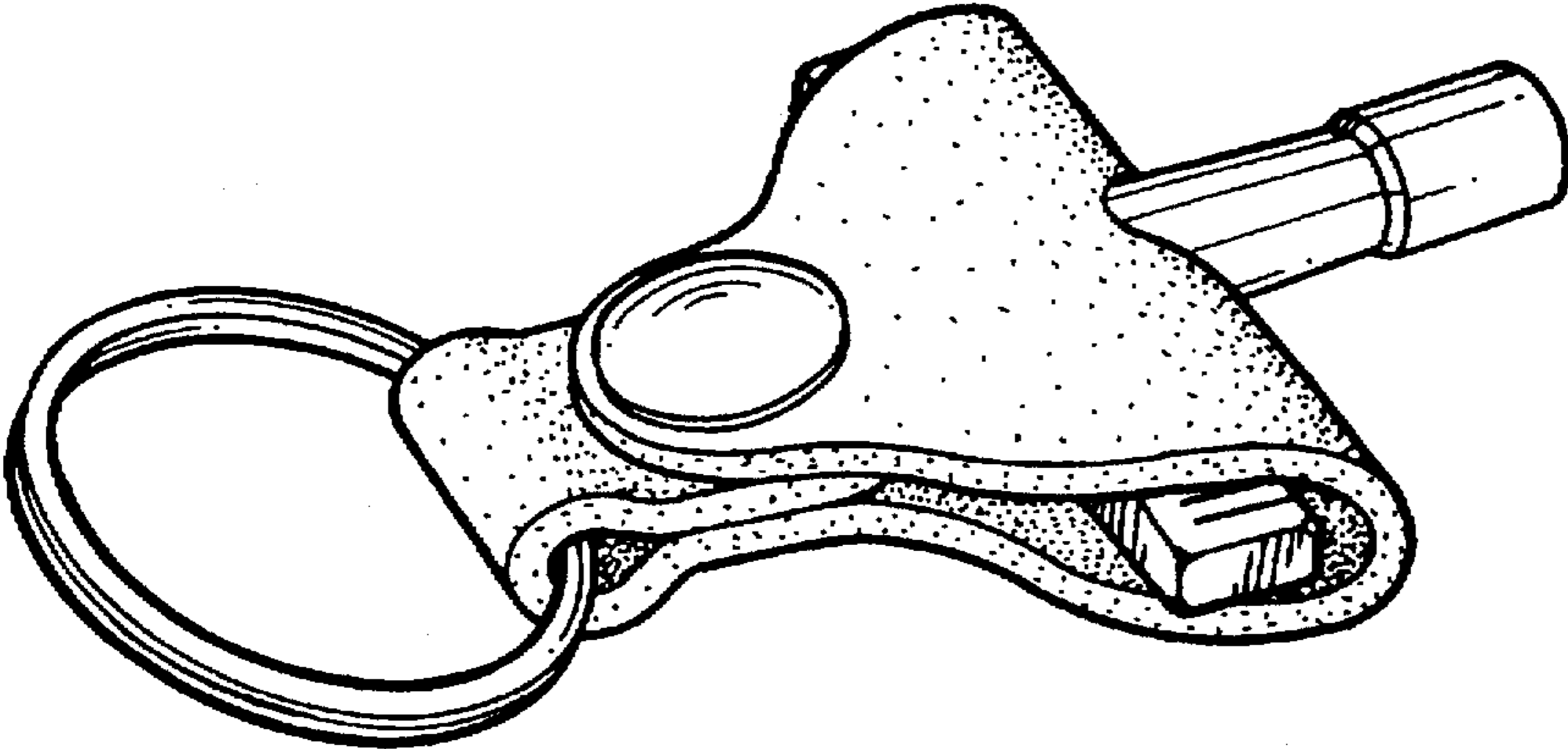


FIG. 1

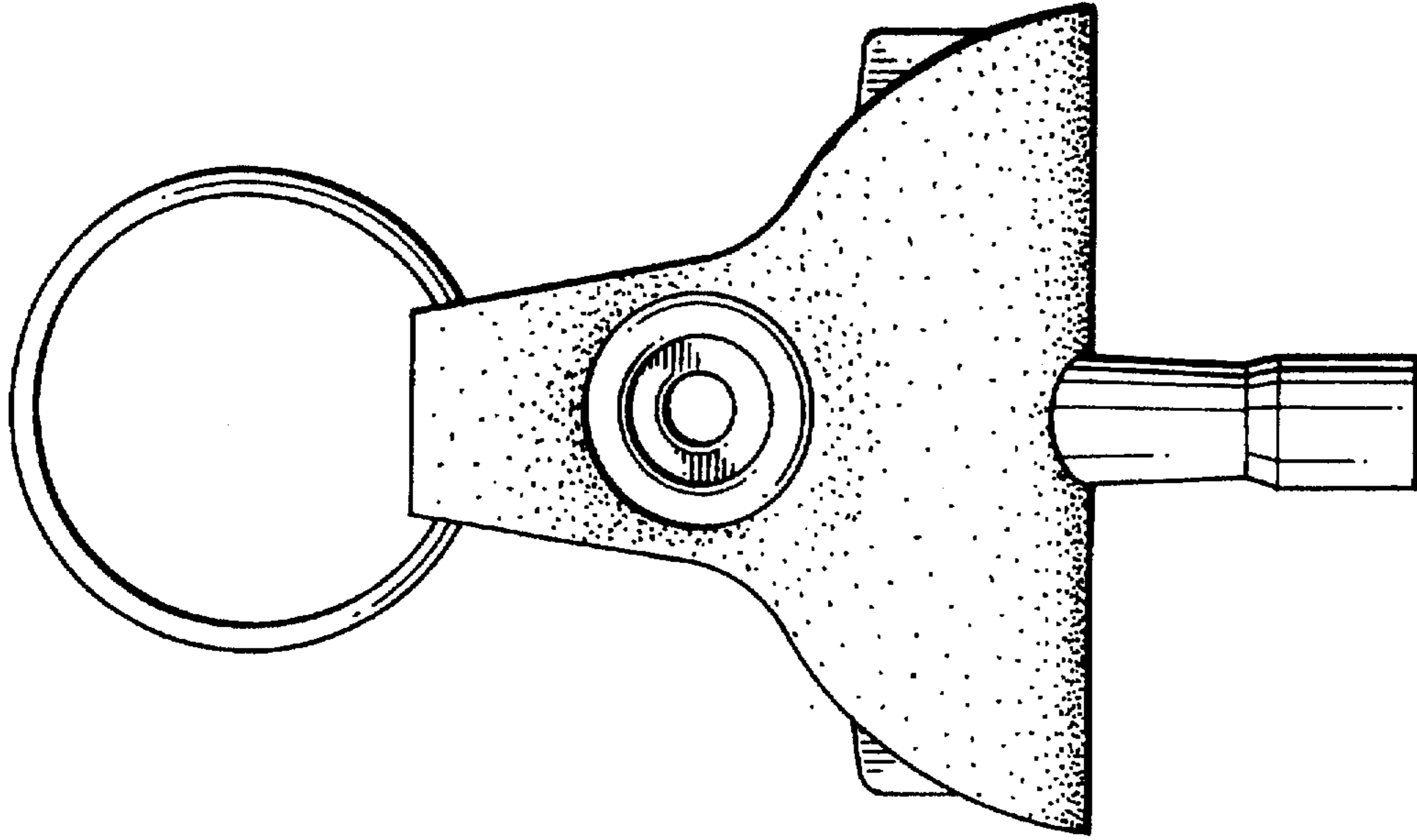


FIG. 5

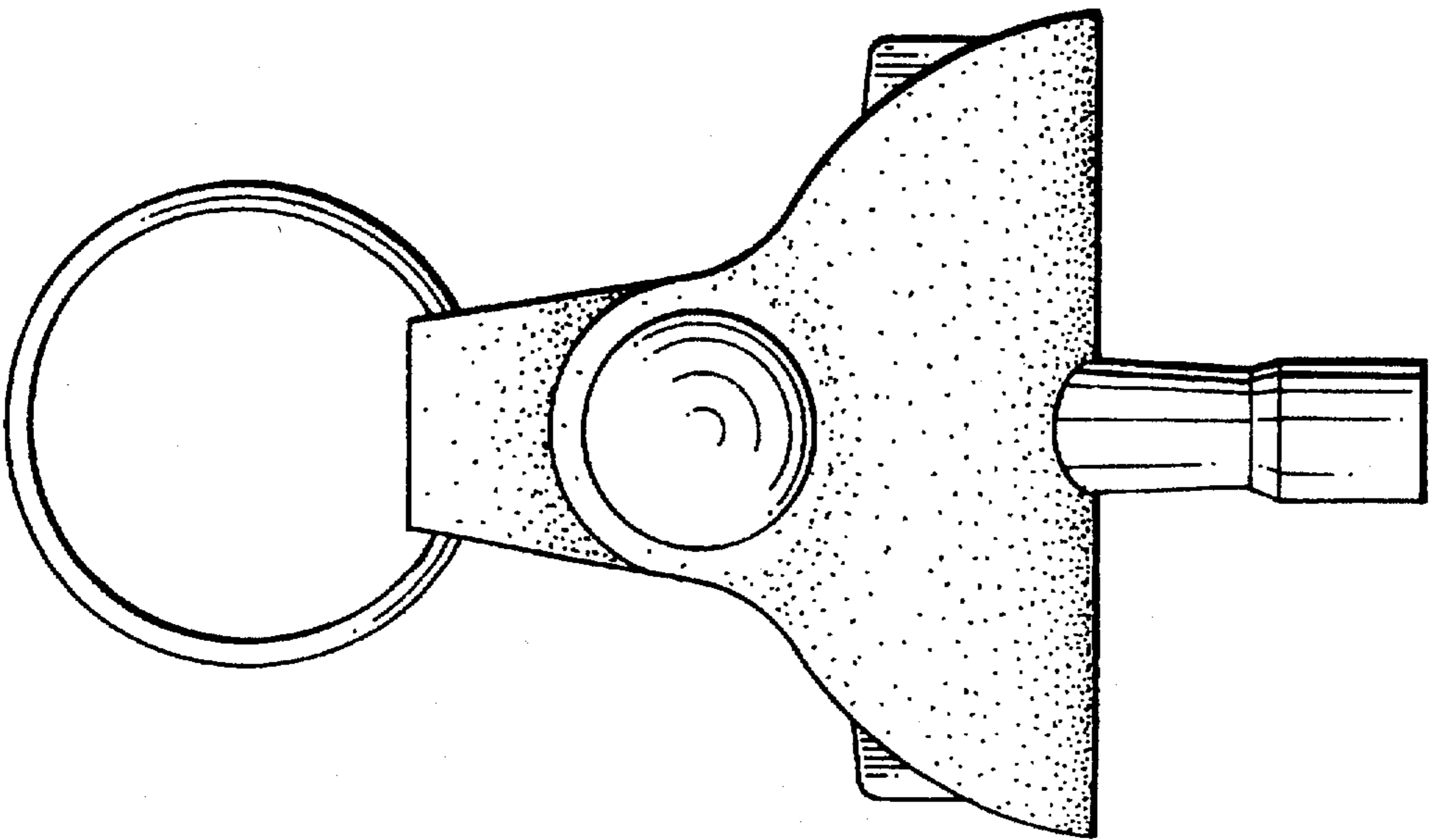


FIG. 4

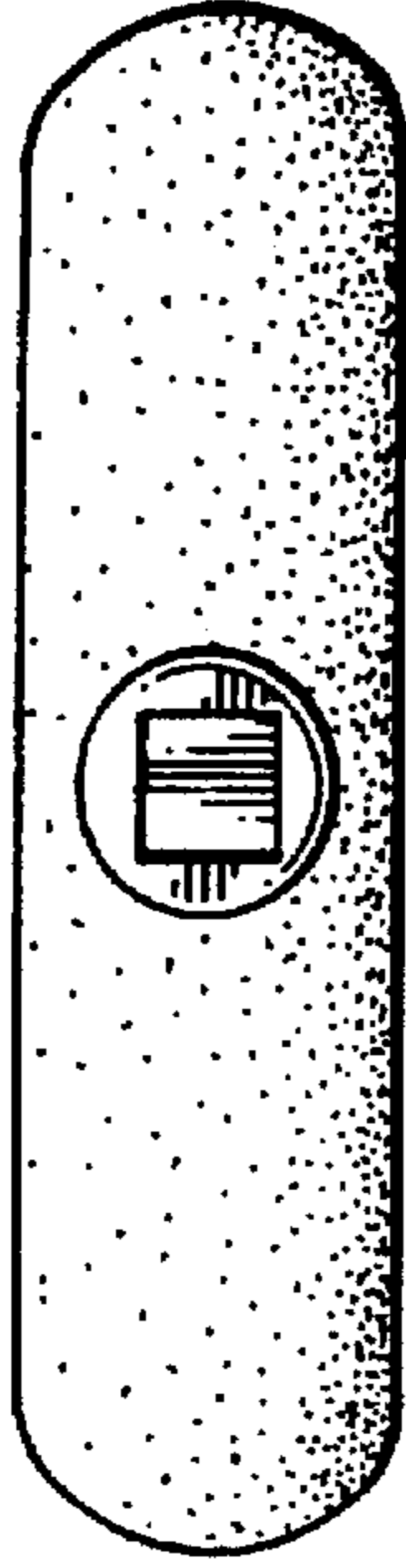


FIG. 8

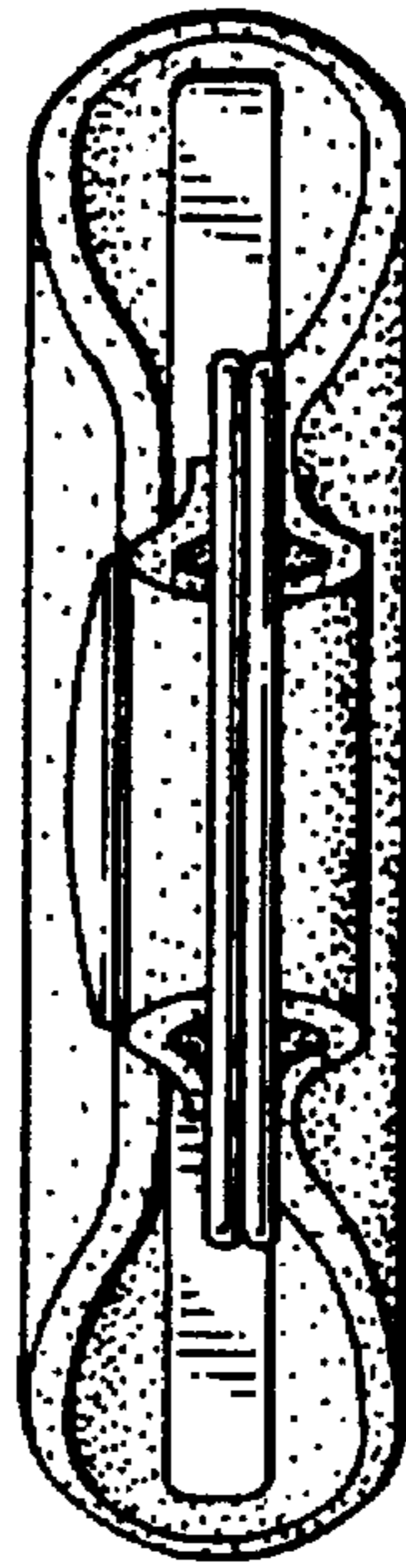


FIG. 9

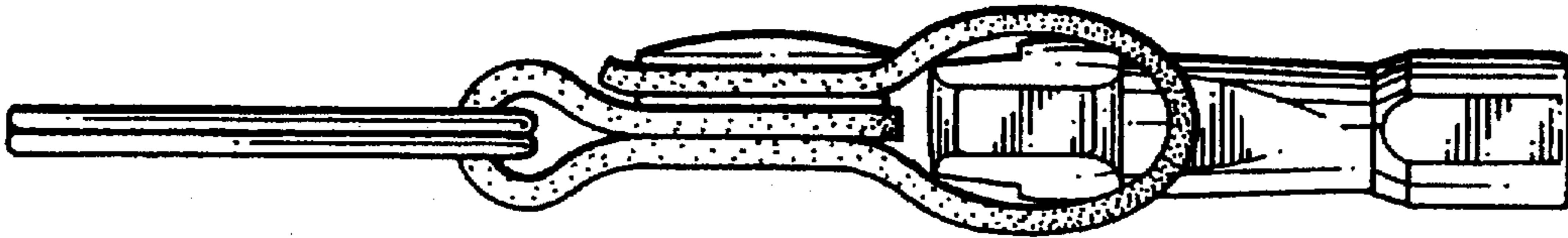


FIG. 7

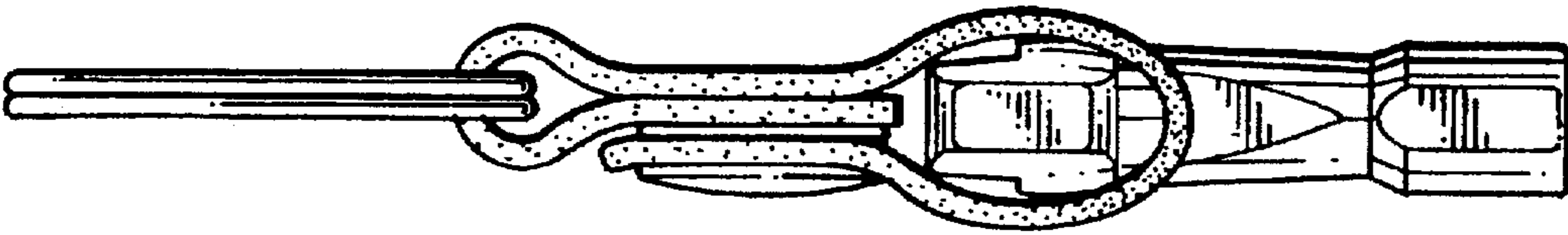


FIG. 6