



US00D407889S

United States Patent [19]
Lee

[11] **Patent Number: Des. 407,889**

[45] **Date of Patent: **Apr. 13, 1999**

[54] **DIE CUT HEADWEAR**
[75] **Inventor: Jeun Ho Lee, Virginia Beach, Va.**
[73] **Assignee: Virginia Die & Manufacturing, Inc.,
Virginia Beach, Va.**
[**] **Term: 14 Years**

1,624,727	4/1927	Goldberg	D2/876 X
1,996,254	4/1935	Parlow	.	
2,594,906	4/1952	Gardner	.	
2,682,668	7/1954	Hoefflich	.	
3,041,628	7/1962	Fish et al.	.	
3,113,321	12/1963	Siegel	2/174
3,945,050	3/1976	Bohash	.	
4,292,689	10/1981	Townsend, Jr.	.	
5,129,103	7/1992	Gruneisen	.	
5,428,842	7/1995	Wise	.	

[21] **Appl. No.: 29/088,013**

[22] **Filed: May 13, 1998**

[51] **LOC (6) Cl. 02-04**

[52] **U.S. Cl. D2/882**

[58] **Field of Search** D2/865, 866, 868,
D2/869, 877, 872, 876, 879, 882, 884,
885, 886, 893; 2/171, 174, 171.01, 171.06,
195.1, 195.7, 200.1, 200.3, 200.13, 209.3,
172, 209.7, 175.1

[56] **References Cited**

U.S. PATENT DOCUMENTS

D. 136,446	10/1943	Halpern	D2/875
D. 192,158	2/1962	Dorfman	D2/876
D. 196,166	9/1963	Ellis	D2/876
D. 267,364	12/1982	Delozada	D2/876
D. 319,137	8/1991	Thomas	D2/876
D. 390,689	2/1998	Ochiai	D2/885
625,776	5/1899	Von Klein	.	
1,614,231	1/1927	Cosgrove	2/209.7

Primary Examiner—Paula A. Mortimer
Attorney, Agent, or Firm—John F. Carroll, IV

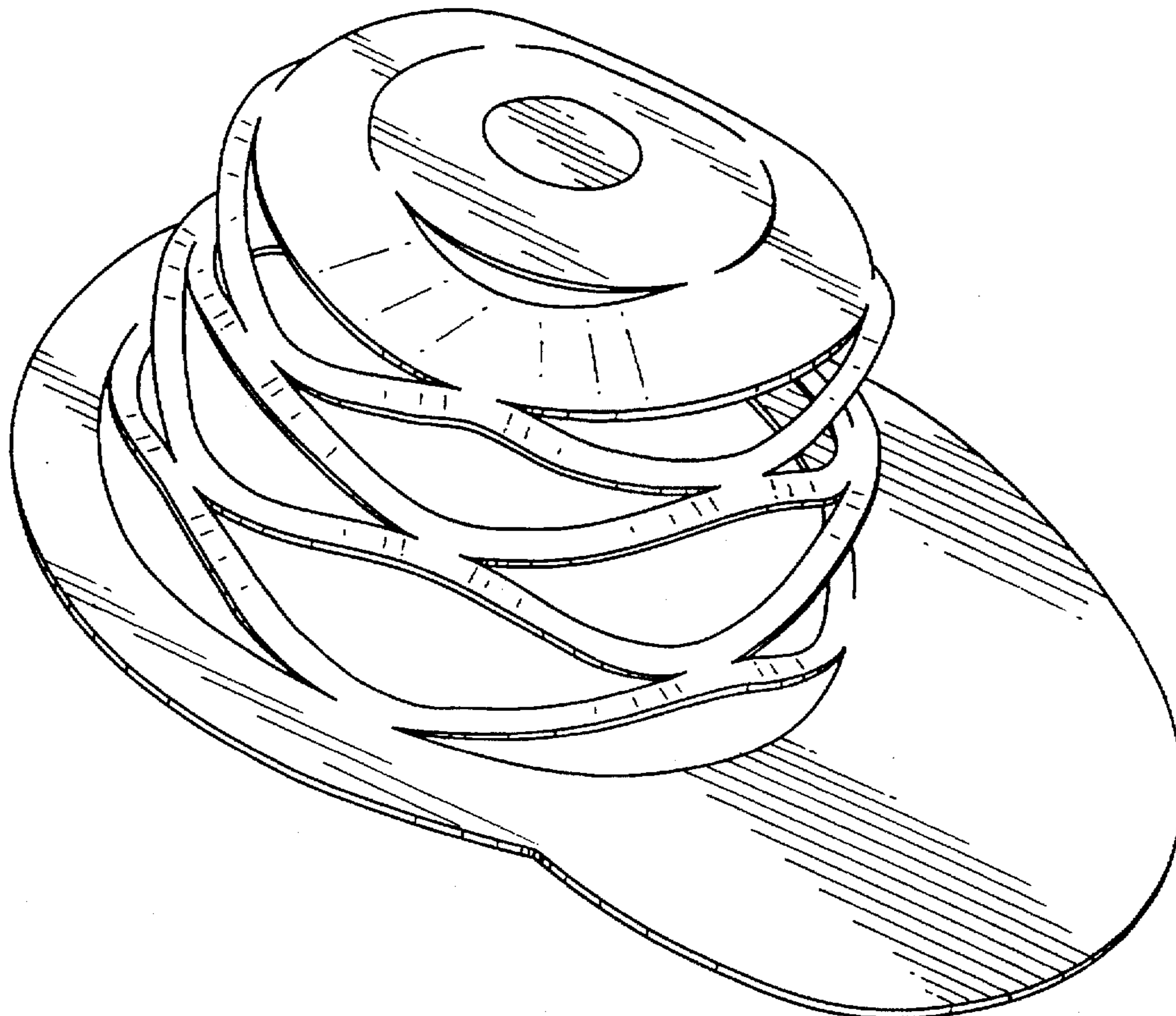
[57] **CLAIM**

The ornamental design for a die cut headwear, as shown and described.

DESCRIPTION

FIG. 1 is a front perspective view of die cut headwear showing my new design;
FIG. 2 is a top plan view thereof, the opposite side is a mirror image;
FIG. 3 is a front perspective view thereof in an alternate position;
FIG. 4 is a top plan view thereof;
FIG. 5 is a front elevational view thereof; and,
FIG. 6 is a side elevational view thereof, the opposite side is a mirror image.

1 Claim, 5 Drawing Sheets



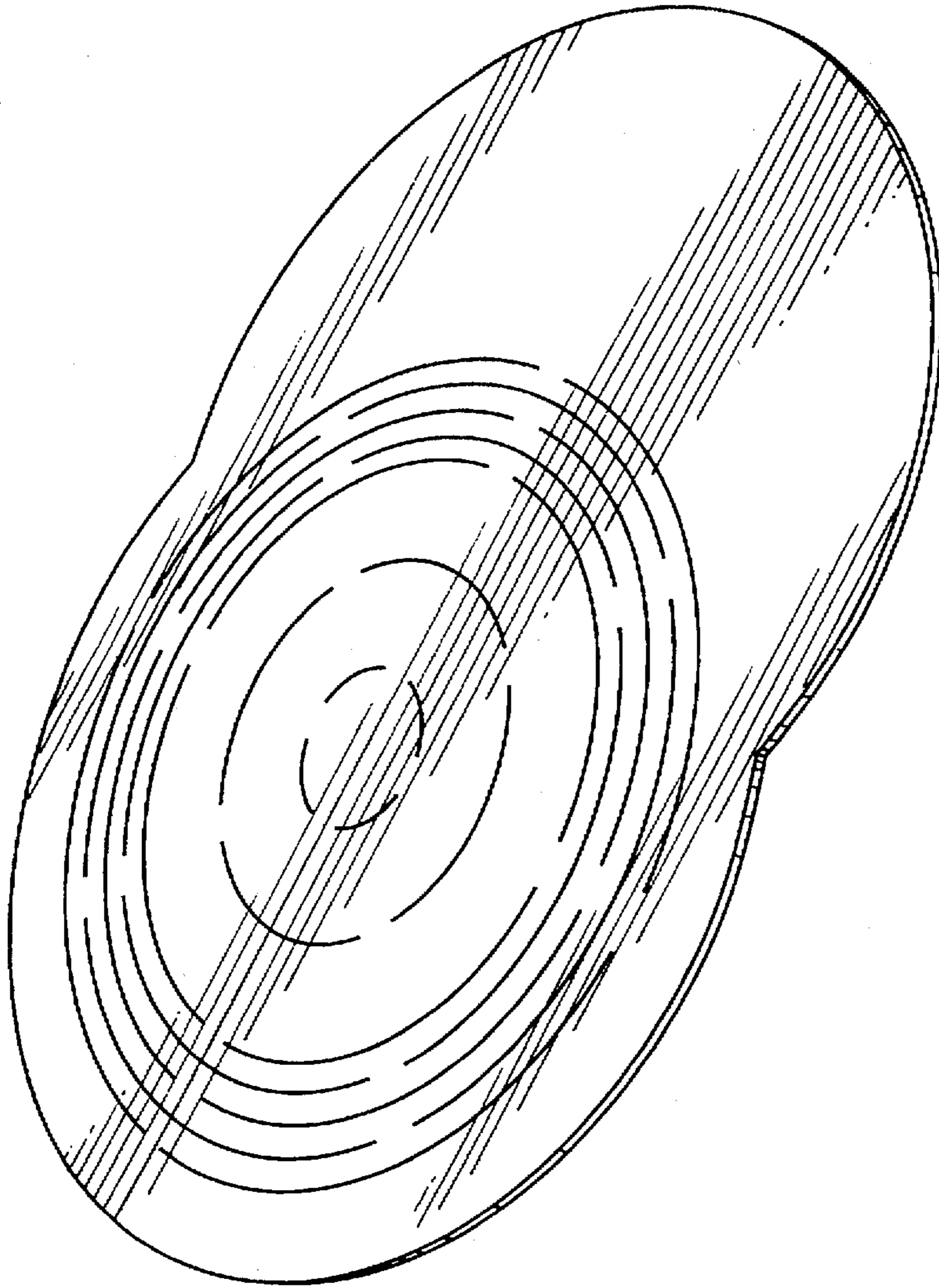


FIG. 1

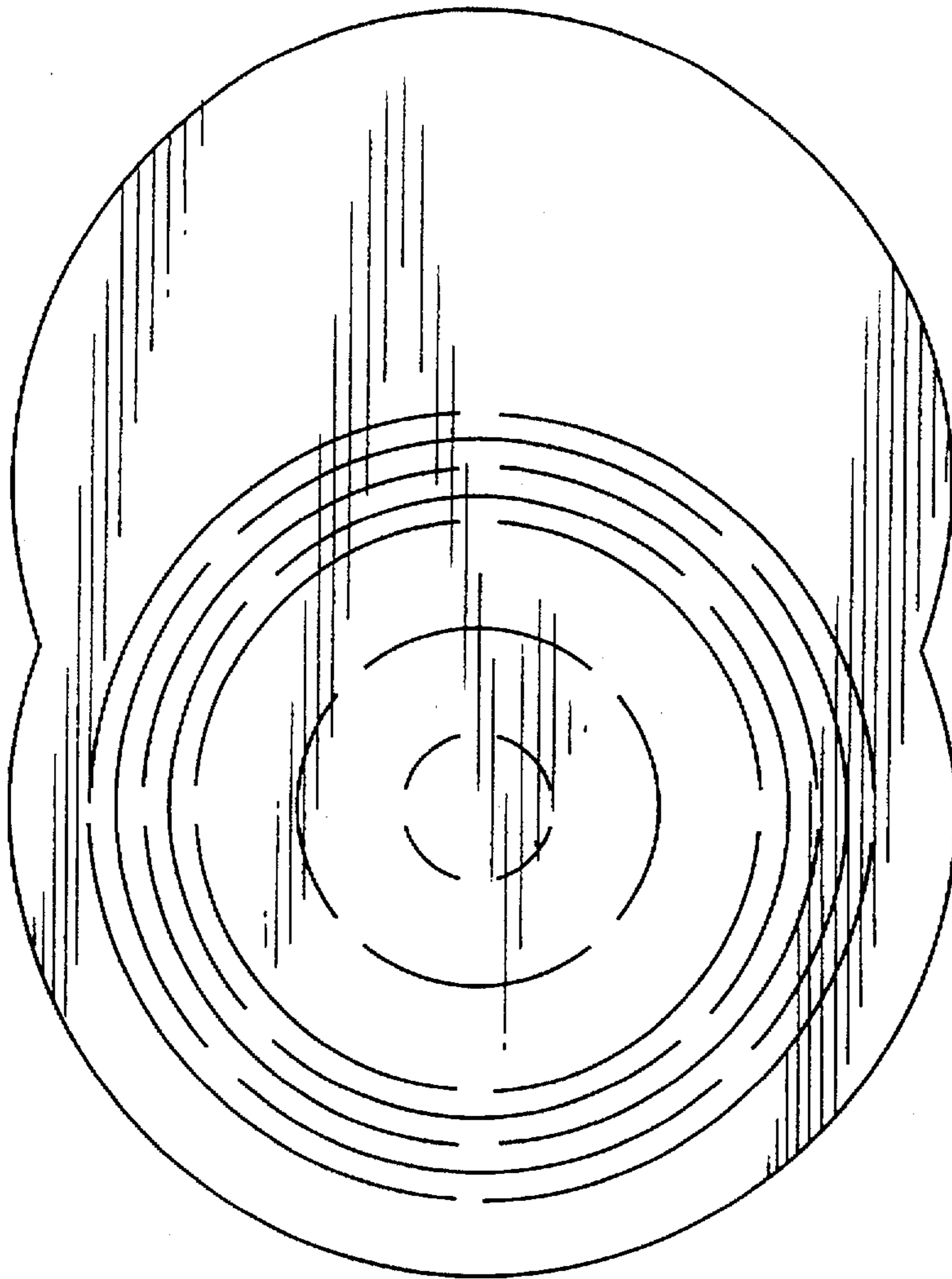


FIG. 2

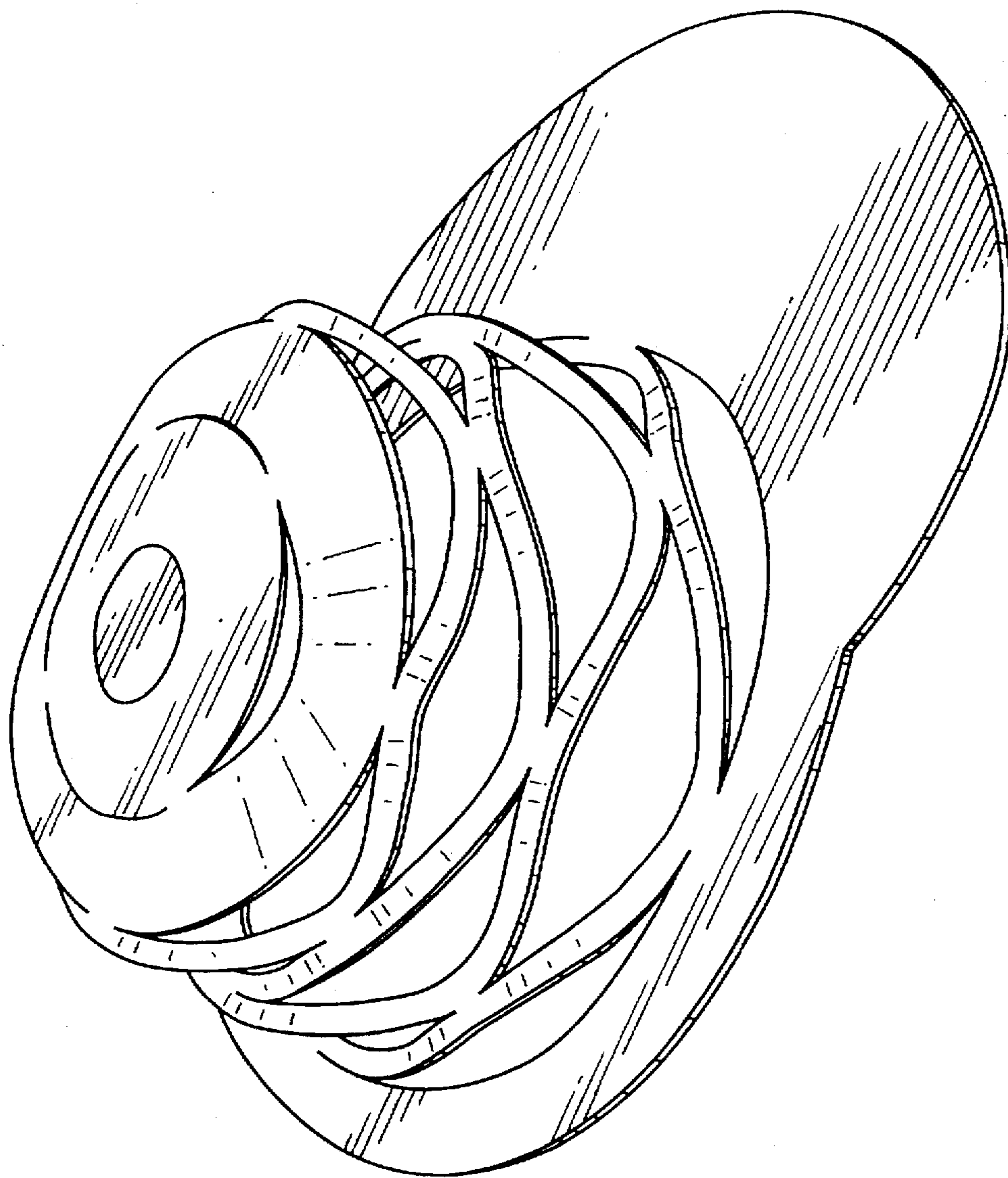


FIG. 3

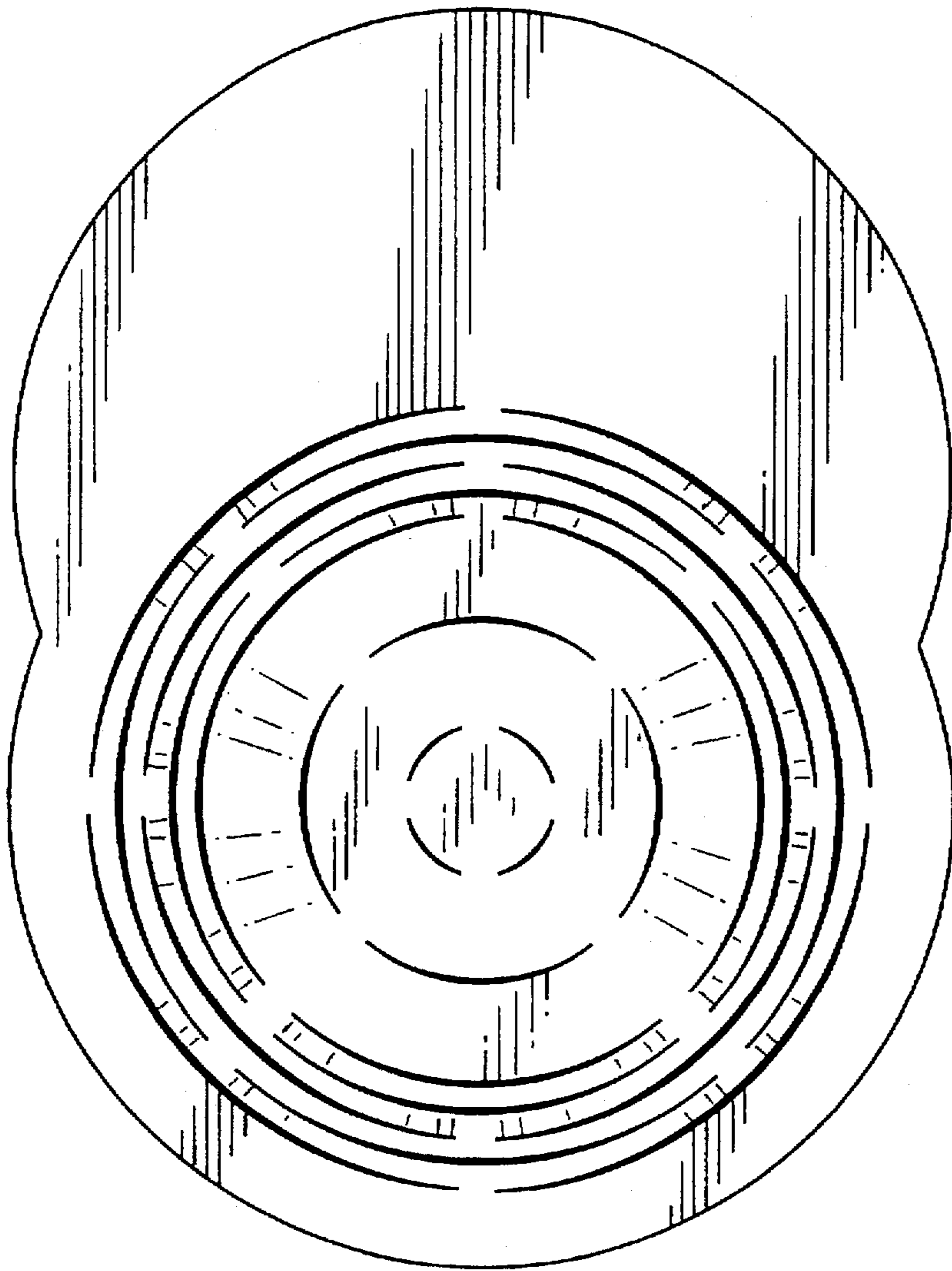


FIG. 4

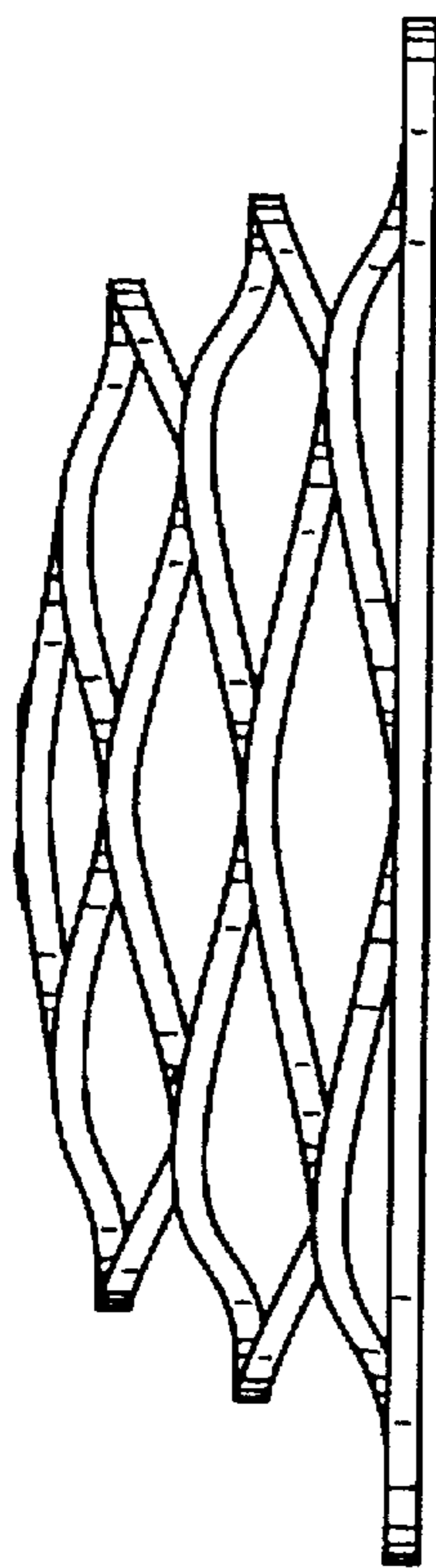


FIG. 5

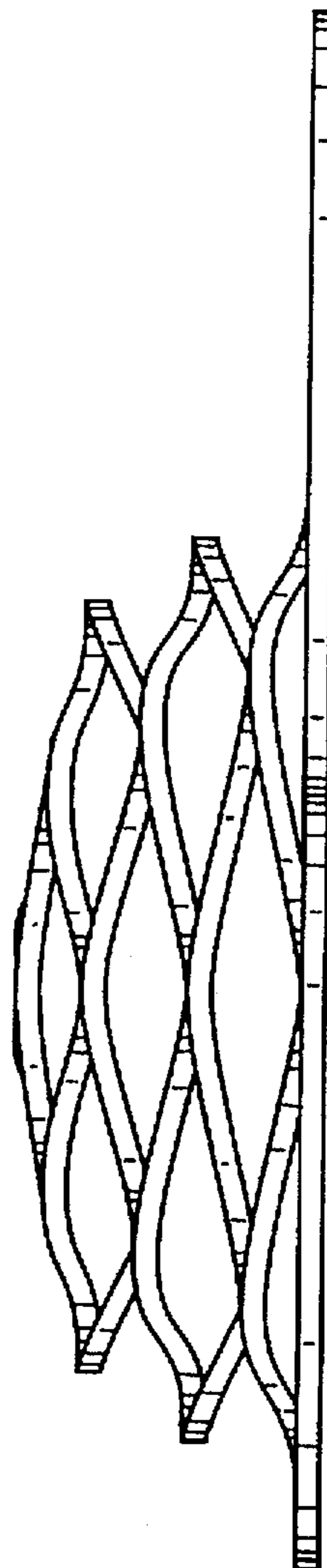


FIG. 6