

US00D407884S

United States Patent [19] Duke

[11] **Patent Number: Des. 407,884**

[45] **Date of Patent: **Apr. 6, 1999**

[54] **LUG-LESS DRUM RING**

4,988,643 1/1991 Pradel D34/39 X

[76] Inventor: **Jon Duke**, 112 Maple St., Dickson,
Tenn. 37055

FOREIGN PATENT DOCUMENTS

1549756 12/1968 France D34/39

[**] Term: **14 Years**

Primary Examiner—M. N. Pandozzi
Attorney, Agent, or Firm—Harold H. Dutton, Jr.

[21] Appl. No.: **50,250**

[57] CLAIM

[22] Filed: **Feb. 12, 1996**

The ornamental design for a lug-less drum ring, as shown.

[51] **LOC (6) Cl. 09-02**

DESCRIPTION

[52] **U.S. Cl. D34/39**

[58] **Field of Search** D34/39, 38, 28;
D7/387, 403, 404; 220/320

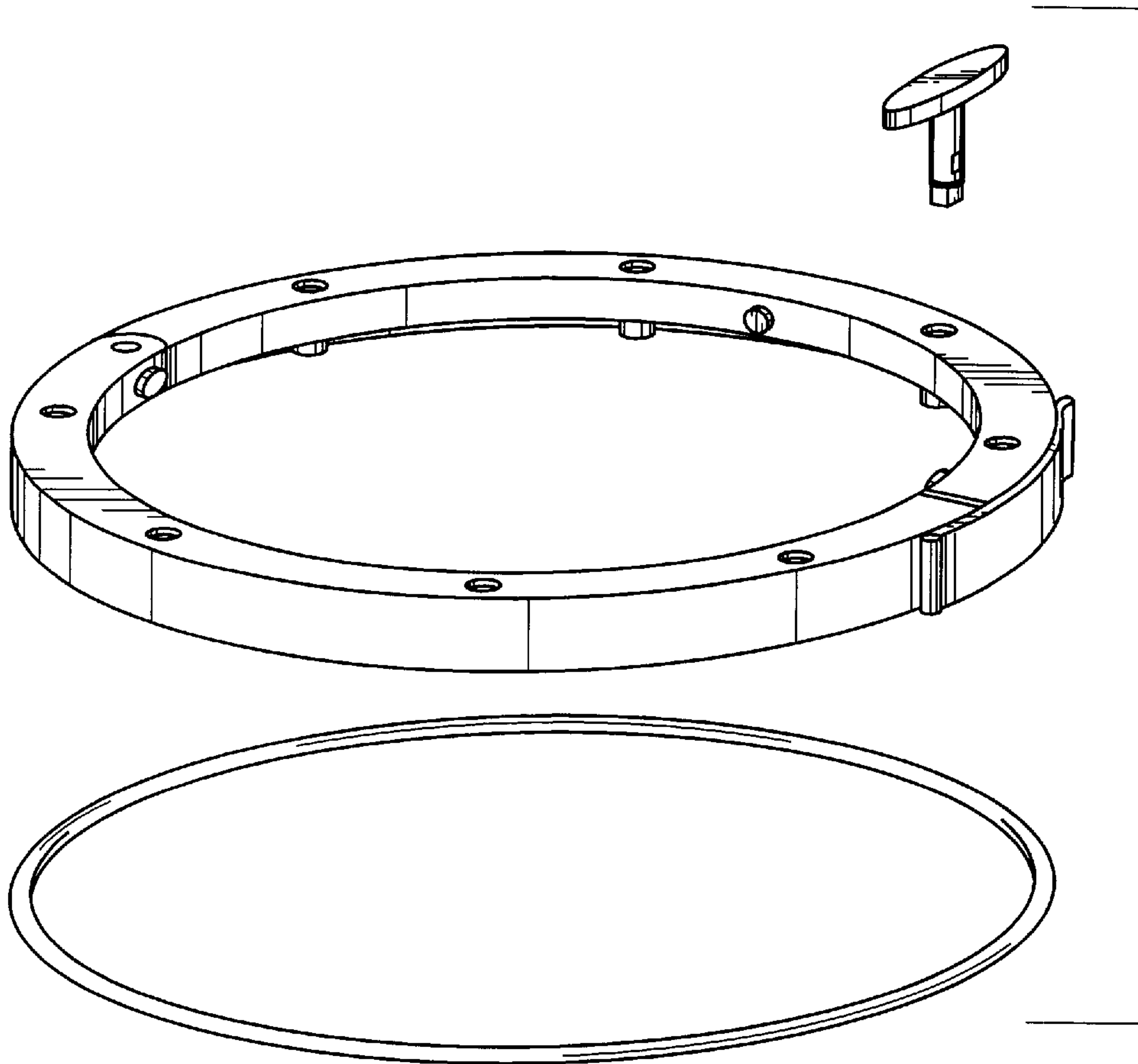
FIG. 1 is an exploded perspective view of a lung-less drum ring showing my new design;
FIG. 2 is a right side view thereof;
FIG. 3 is a left side view thereof;
FIG. 4 is a front view thereof;
FIG. 5 is a rear view thereof;
FIG. 6 is a top view thereof; and,
FIG. 7 is a bottom view thereof.

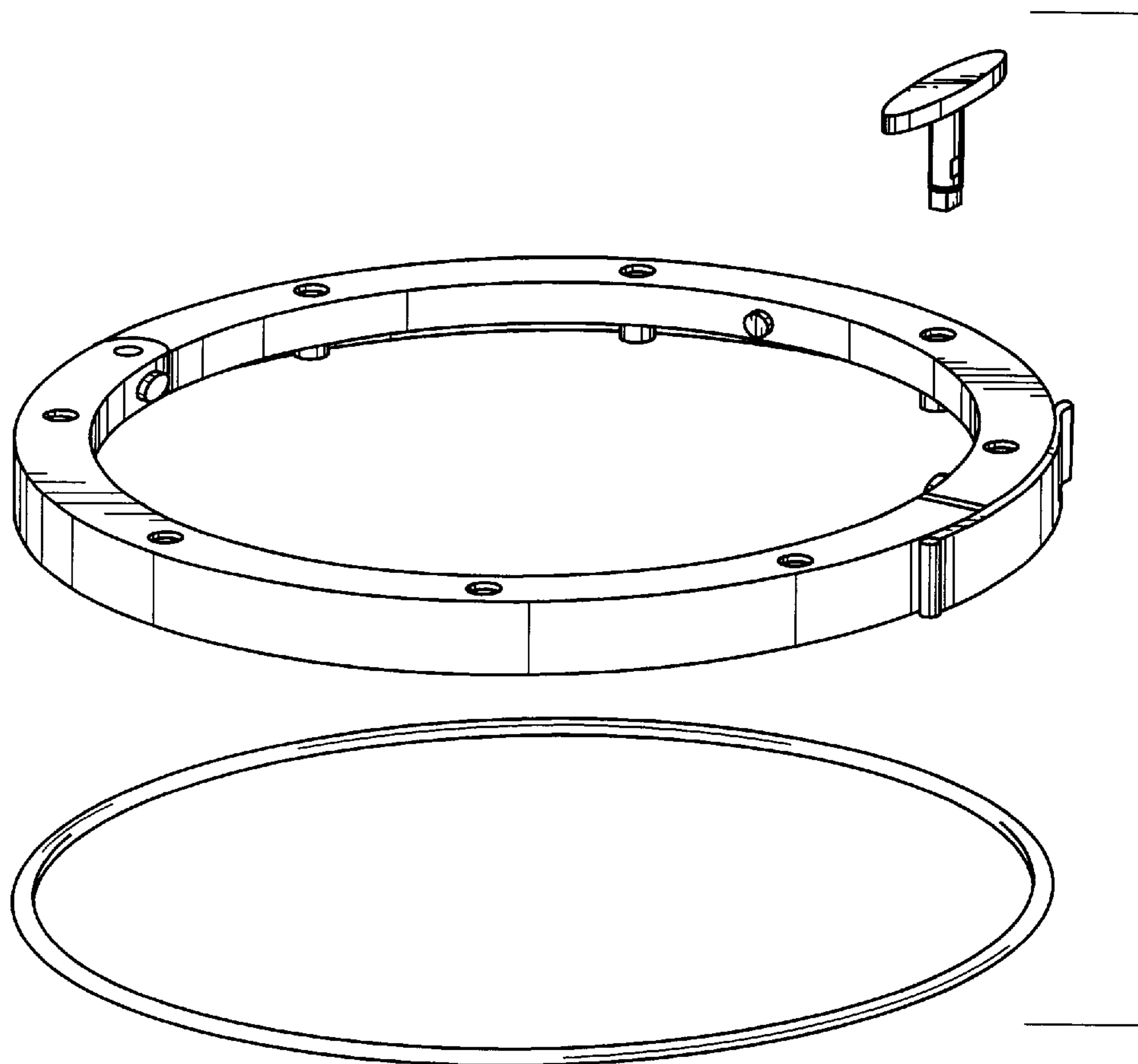
[56] References Cited

U.S. PATENT DOCUMENTS

- D. 265,179 6/1982 Bock D34/39
- D. 327,604 7/1992 Culverson D34/39 X
- D. 331,349 12/1992 Culverson D34/39 X
- 3,561,637 2/1971 McConnell D34/39 X

1 Claim, 5 Drawing Sheets





FIG, 1

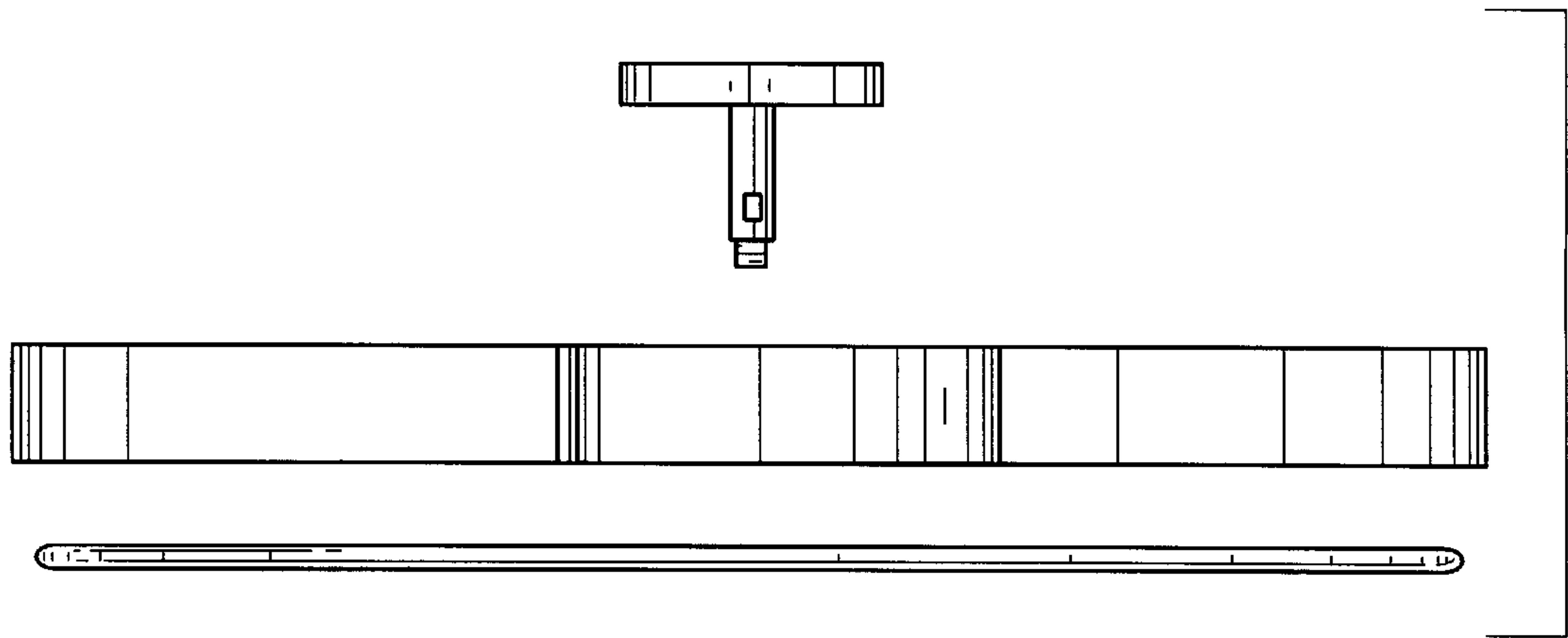


FIG. 2

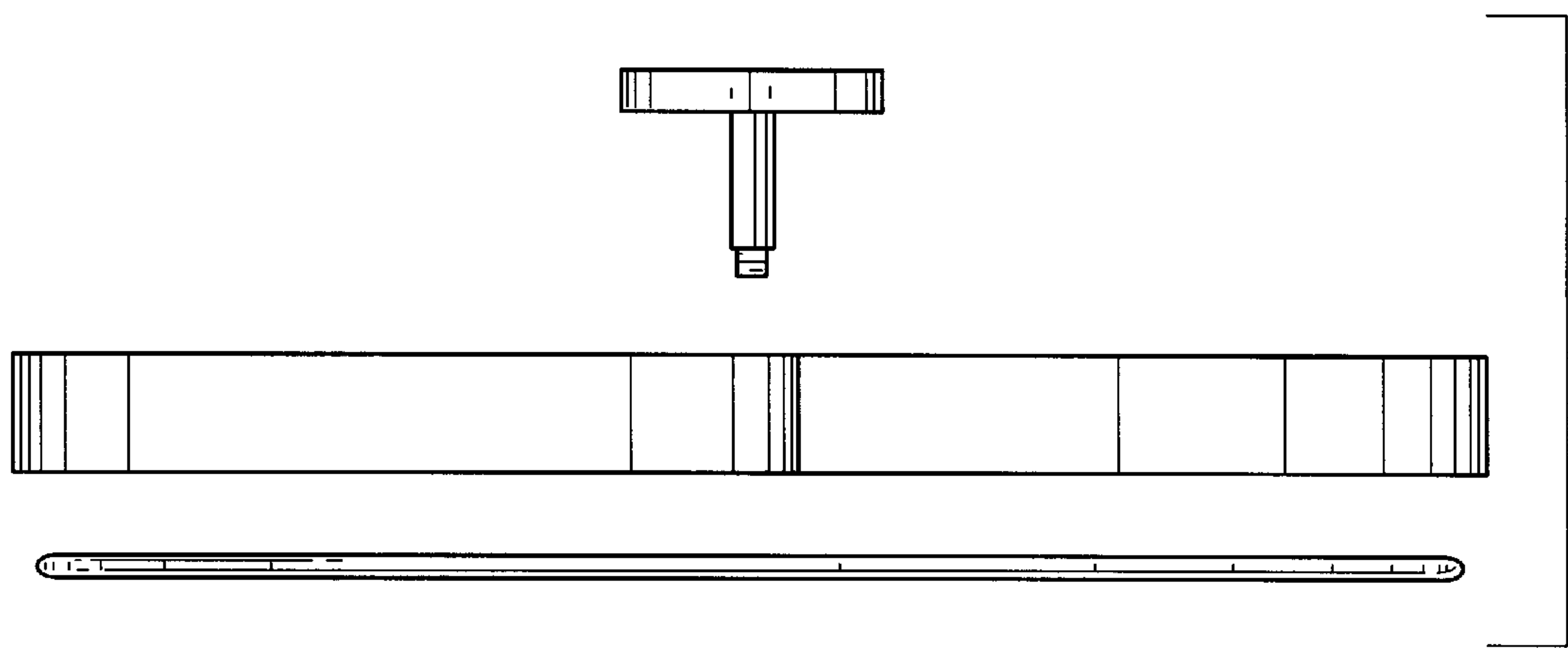


FIG. 3

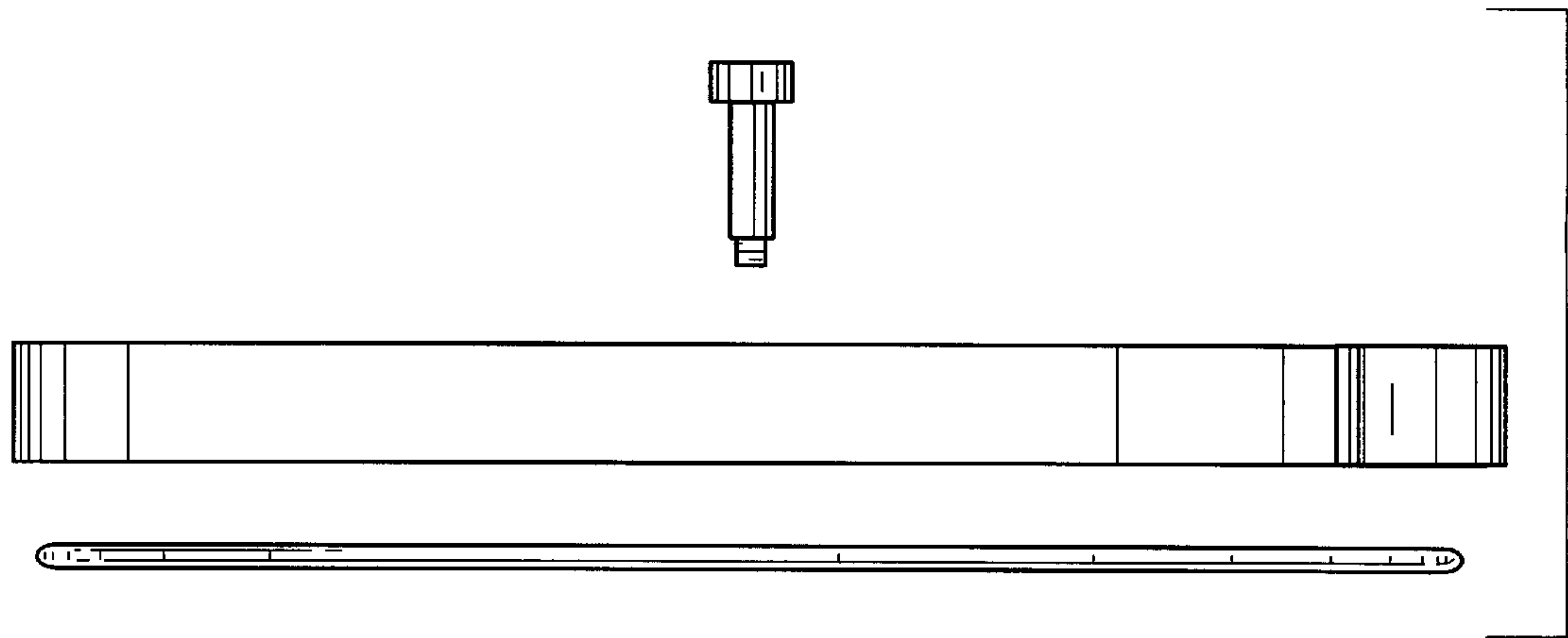


FIG. 4

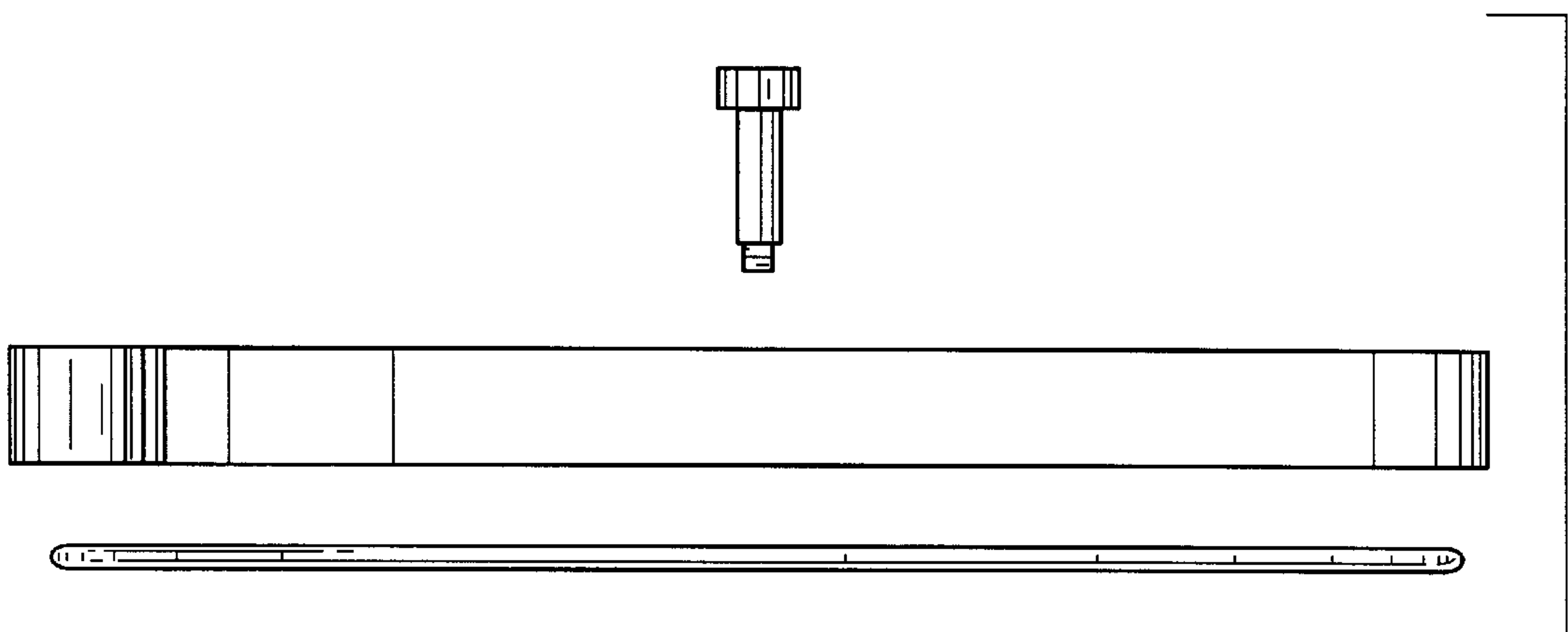


FIG. 5

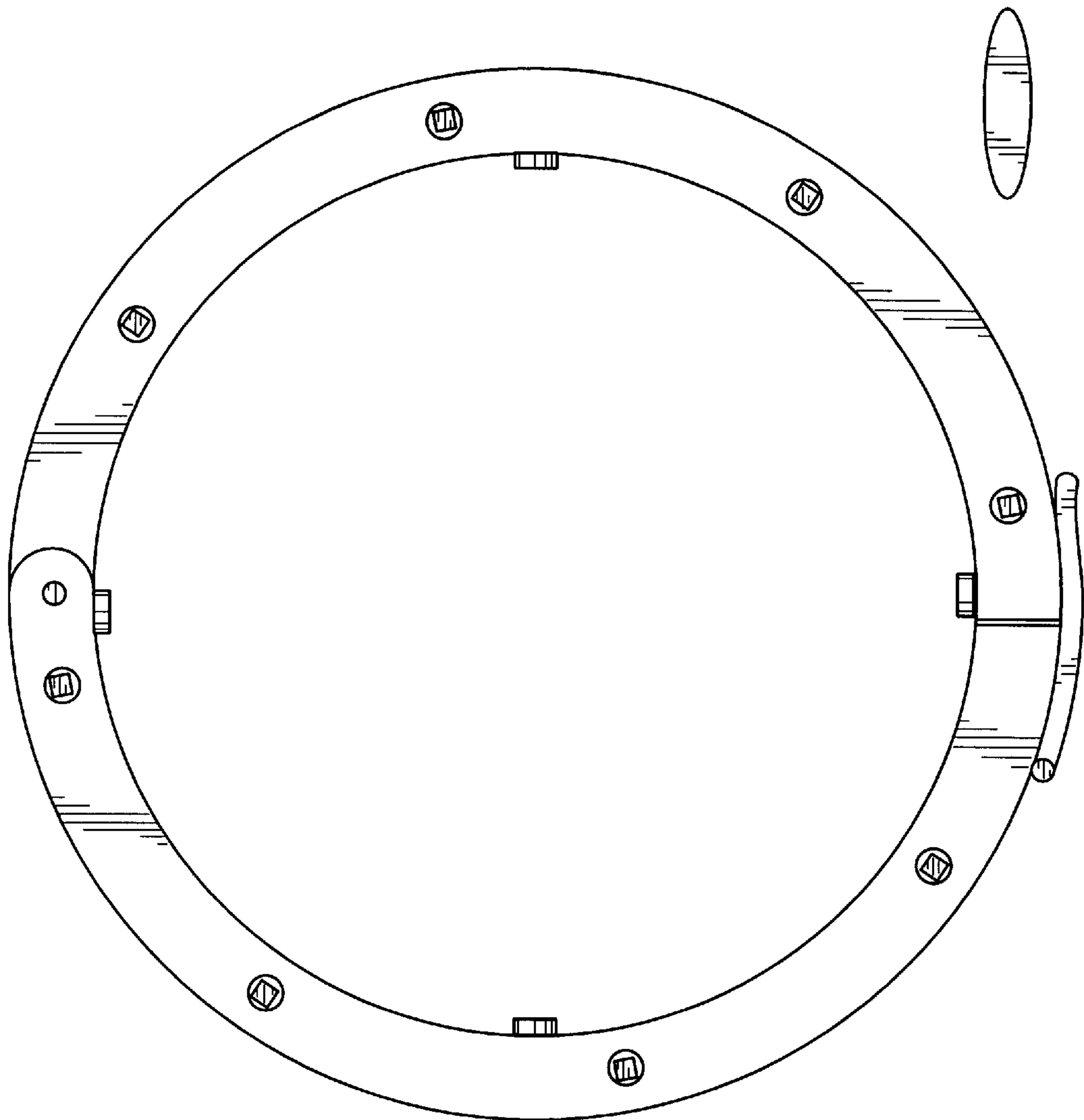


FIG. 6

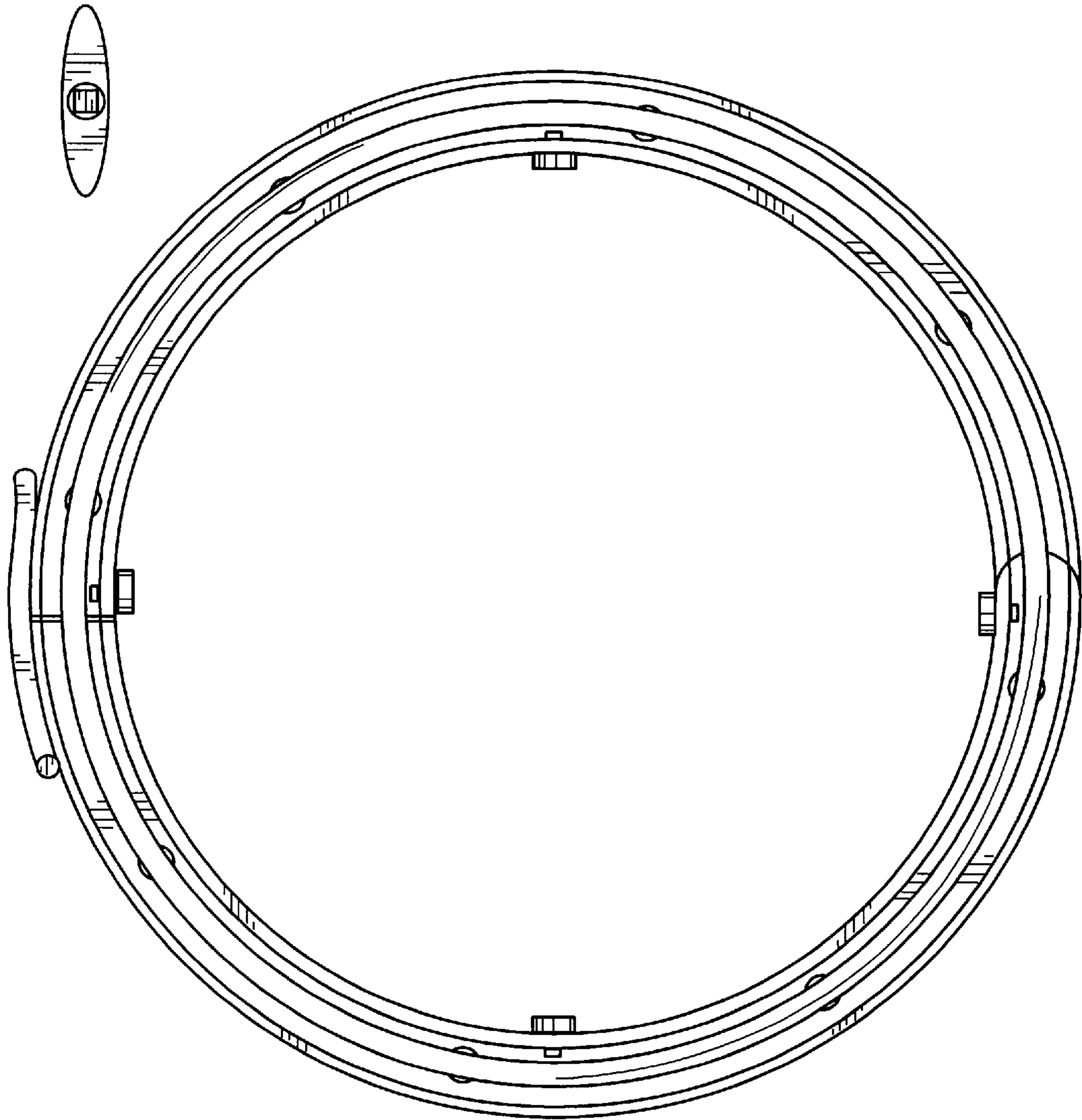


FIG. 7