



US00D407882S

# United States Patent [19]

Duchene

[11] Patent Number: Des. 407,882

[45] Date of Patent: \*\*Apr. 6, 1999

[54] SHOPPING CART FOR HOLDING TWO REMOVABLE BASKETS

D. 367,348 2/1996 Basharat ..... D34/12 X  
4,268,049 5/1981 Salvador ..... 280/33.991

[75] Inventor: Val-Jean Duchene, Broken Arrow, Okla.

[73] Assignee: Unarco LLC, Atlanta, Ga.

[\*\*] Term: 14 Years

[21] Appl. No.: 80,592

[22] Filed: Oct. 9, 1997

### OTHER PUBLICATIONS

Catalog page showing KOWA Shopping Cart AO, undated, admitted prior art.

Catalog page, "Shopping Series KC-101", undated, admitted prior art.

Primary Examiner—Susan J. Lucas

Assistant Examiner—Cynthia E. Ramirez

Attorney, Agent, or Firm—Rockey, Milnamow & Katz, Ltd

### Related U.S. Application Data

[63] Continuation of Ser. No. 66,813, Feb. 21, 1997, abandoned.

[51] LOC (6) Cl. .... 15-05

[52] U.S. Cl. .... D34/12

[58] Field of Search ..... D34/12-27; 280/33.991, 280/33.992, 33.993, 33.994, 33.995, 33.996, 33.997, 47.35

### CLAIM

[57] Shopping cart for holding two removable baskets, as shown and described.

### DESCRIPTION

FIG. 1 is a perspective view of a shopping cart for holding two removable baskets, showing the top, front and one side thereof;

FIG. 2 is a side elevation thereof, showing the side shown in FIG. 1, the other side being a mirror image;

FIG. 3 is a front elevation thereof;

FIG. 4 is a top plan thereof;

FIG. 5 is a bottom plan thereof; and,

FIG. 6 is a rear elevation thereof.

Two removable baskets are shown fragmentarily in broken lines, in FIG. 2, to show the environment in which the shopping cart is used.

### References Cited

#### U.S. PATENT DOCUMENTS

D. 170,137	8/1953	Rogers	.....	D34/21
D. 170,759	11/1953	Kesler	.....	D34/21 X
D. 194,028	11/1962	Lerner	.....	D34/21
D. 231,648	5/1974	Malits	.....	D34/21
D. 282,499	2/1986	Alstrom	.....	D34/21 X
D. 365,904	1/1996	Adamson et al.	.....	D34/12 X
D. 367,251	2/1996	Ahlberg et al.	.....	D34/17 X

1 Claim, 5 Drawing Sheets

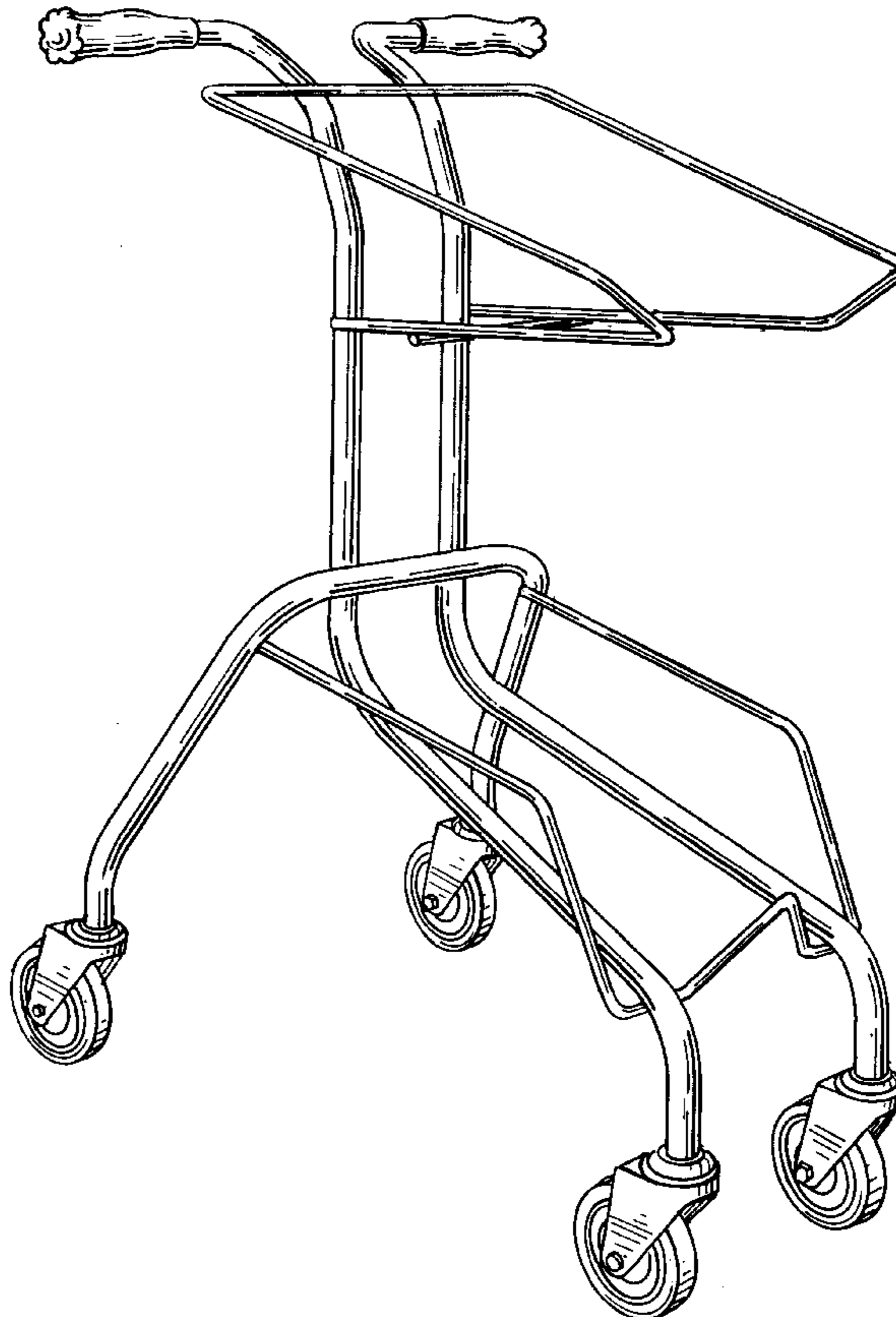


FIG. 1

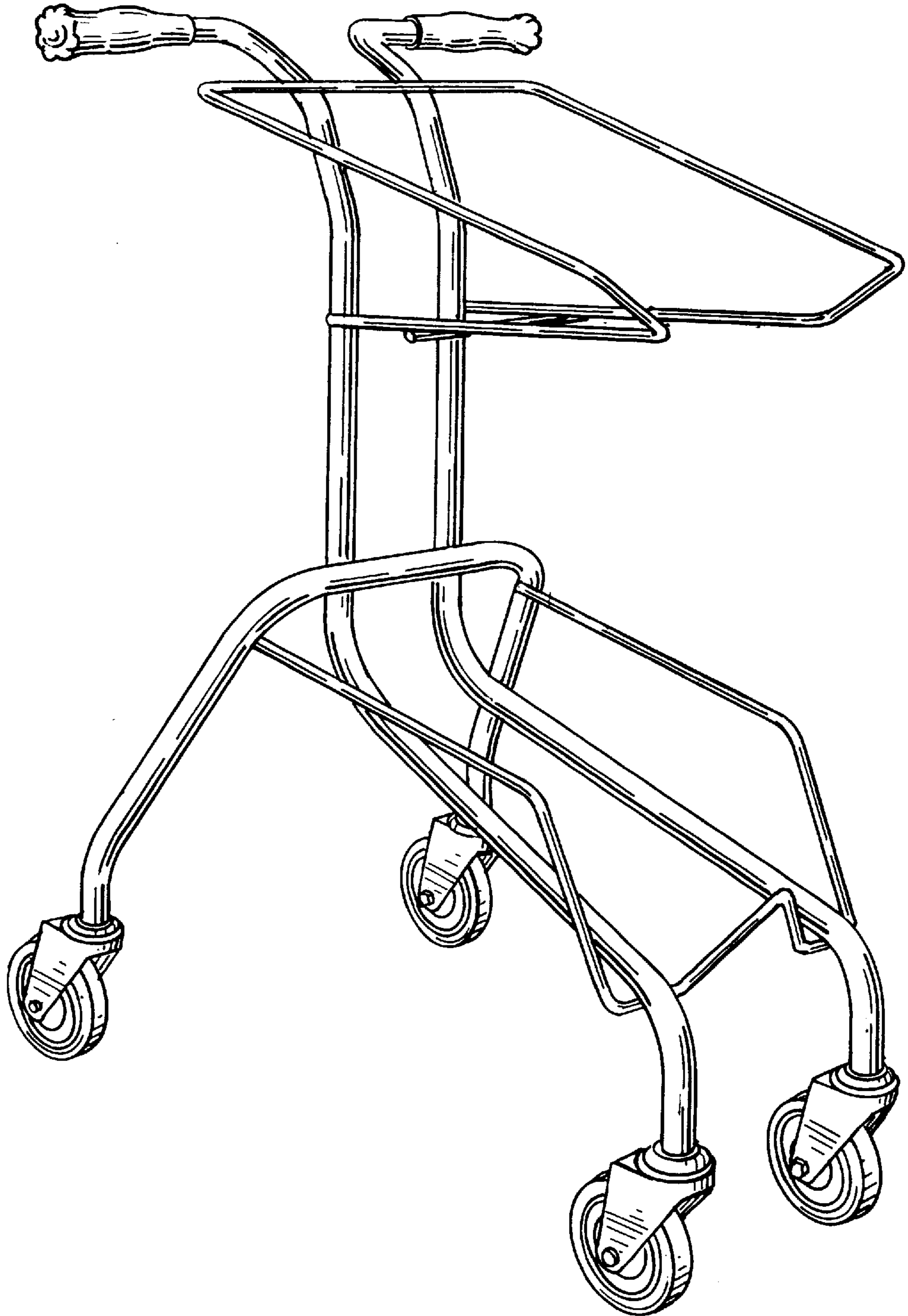


FIG. 2

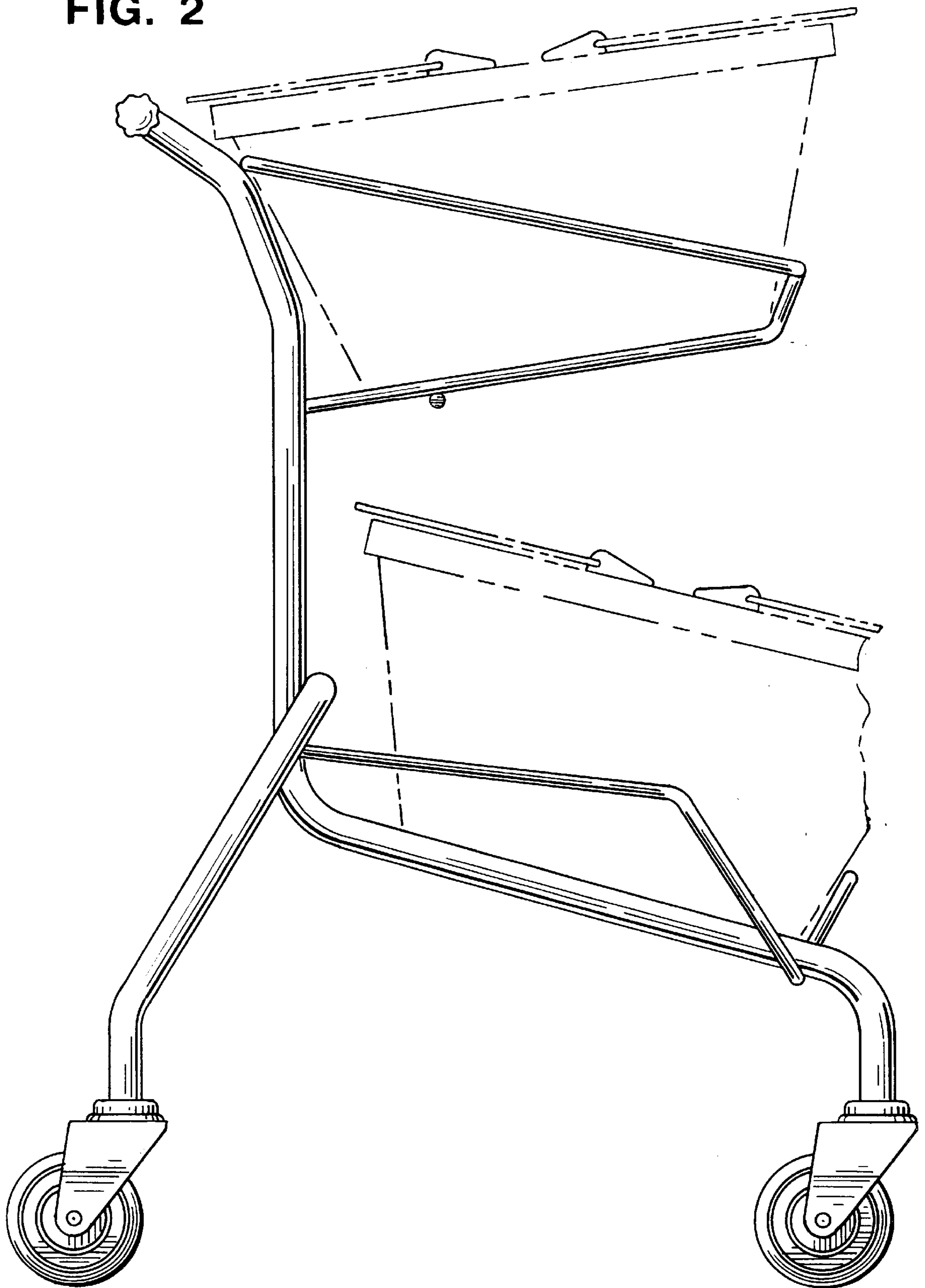


FIG. 3

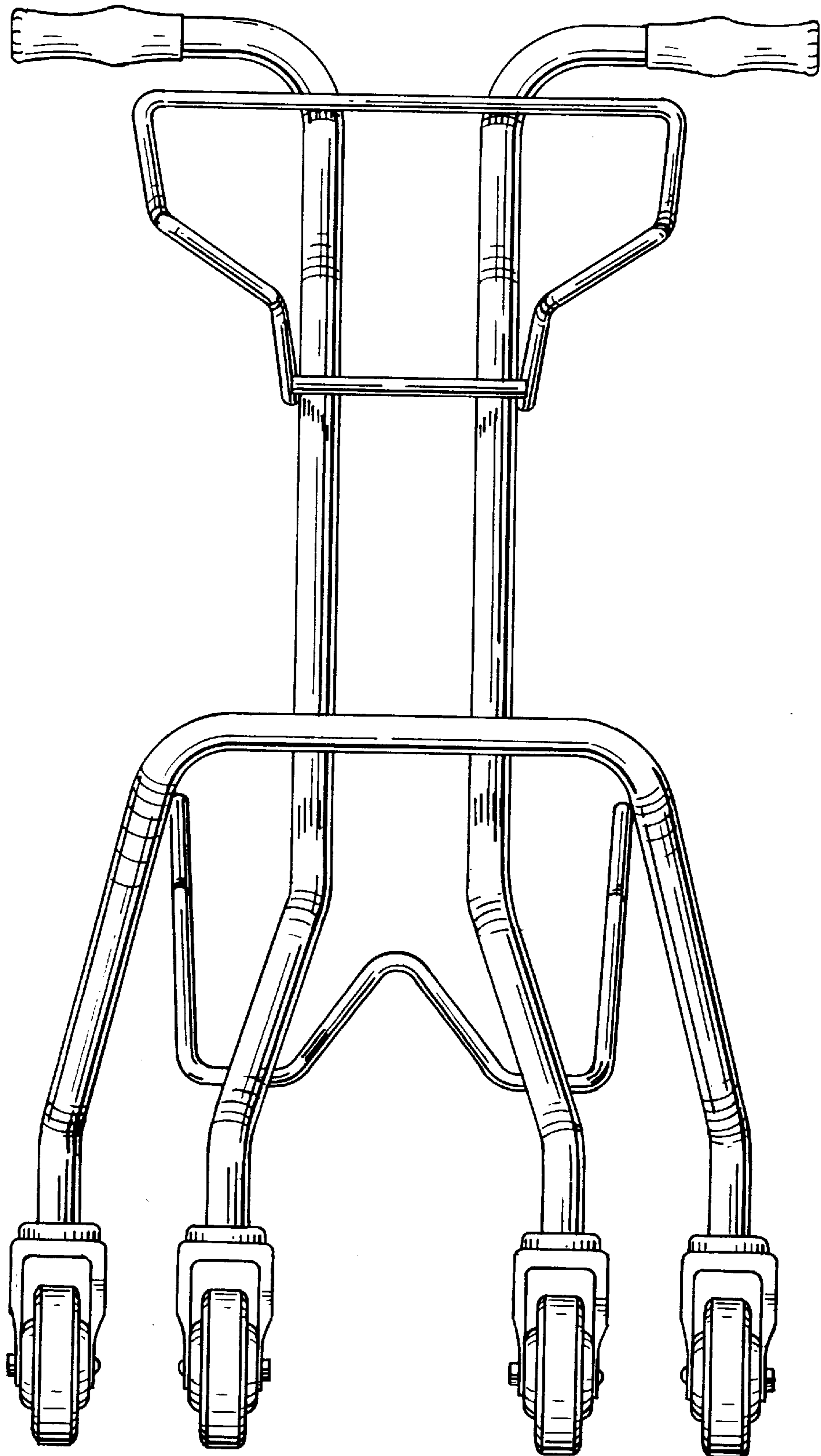


FIG. 4

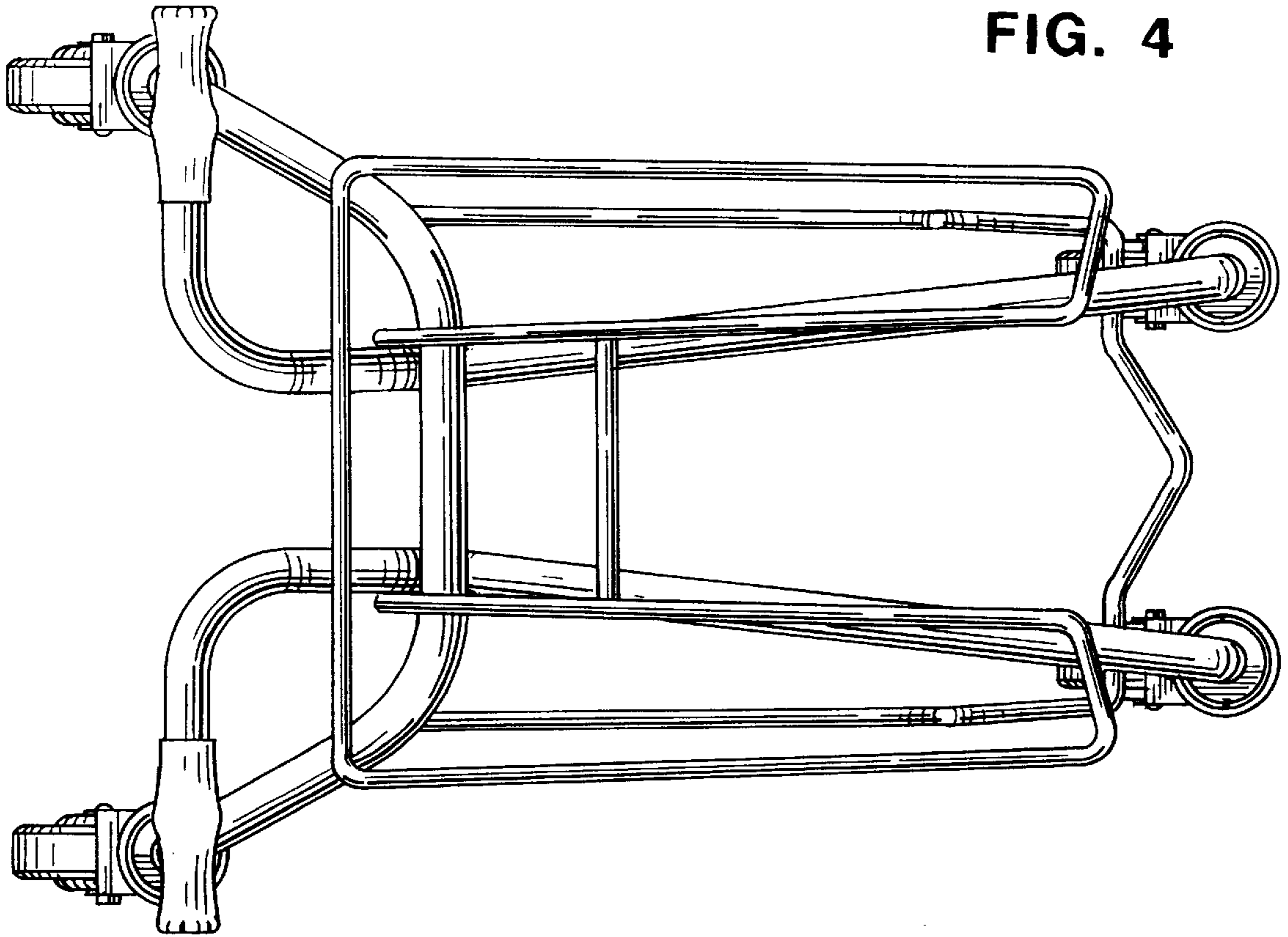


FIG. 5

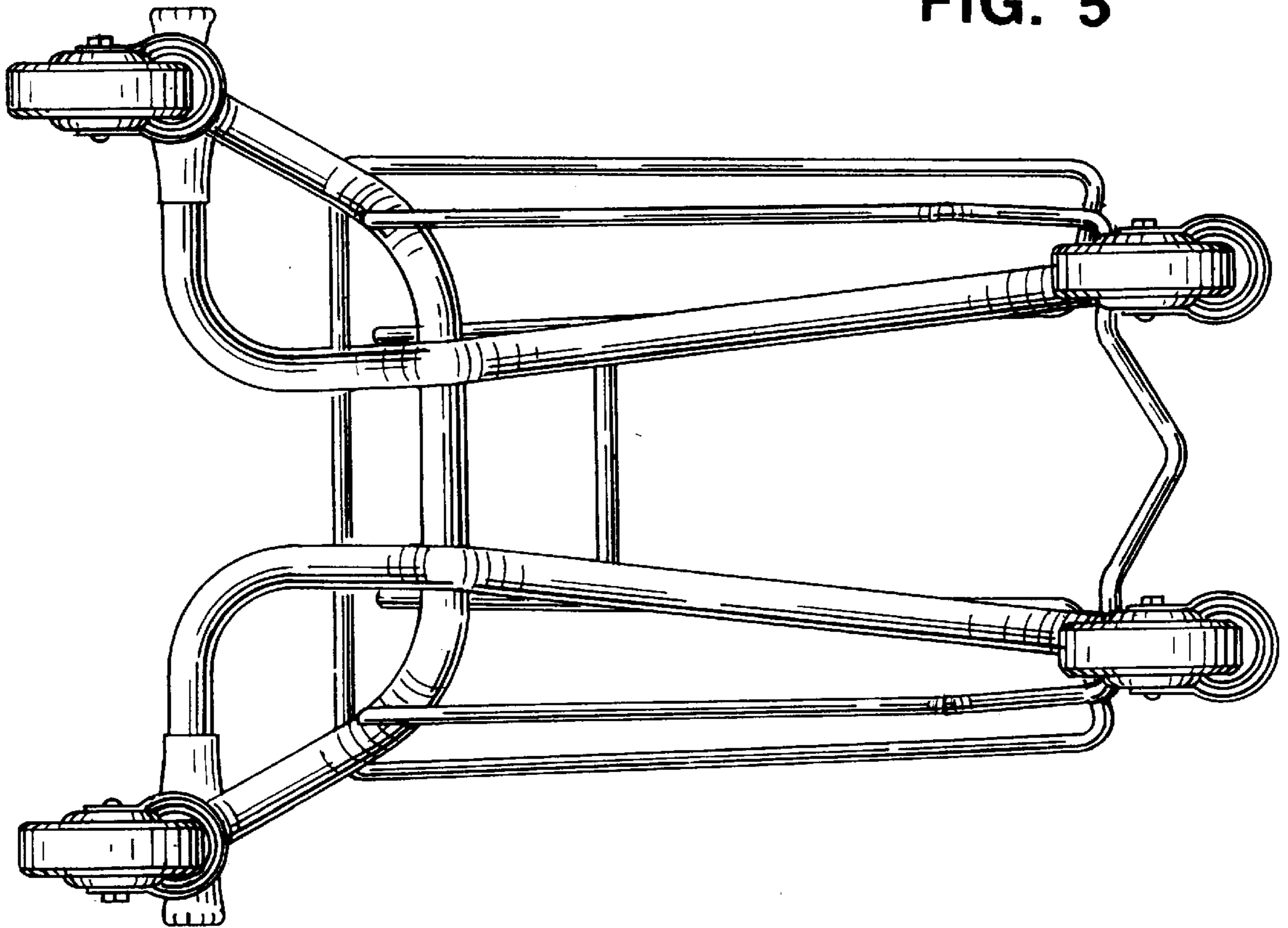


FIG. 6

