



US00D407881S

United States Patent [19] Delmerico

[11] **Patent Number: Des. 407,881**

[45] **Date of Patent: **Apr. 6, 1999**

[54] **WASTEBASKET LID**

[75] Inventor: **Paul E. Delmerico**, Winchester, Va.

[73] Assignee: **Rubbermaid Commercial Products LLC**, Winchester, Va.

[**] Term: **14 Years**

[21] Appl. No.: **85,749**

[22] Filed: **Mar. 30, 1998**

[51] **LOC (6) Cl. 09-09**

[52] **U.S. Cl. D34/11**

[58] **Field of Search D34/1, 10, 11;
220/908, 252, 263**

[56] **References Cited**

U.S. PATENT DOCUMENTS

| | | | | |
|------------|---------|-------------------|-------|--------|
| D. 198,950 | 8/1964 | Hollis | | D58/17 |
| D. 200,360 | 2/1965 | Deisner | | D34/11 |
| D. 233,127 | 10/1974 | Karn, Jr. | | D7/194 |
| D. 271,248 | 11/1983 | Maza et al. | | D34/8 |
| D. 276,753 | 12/1984 | Maza et al. | | D34/11 |
| D. 280,459 | 9/1985 | McClelland | | D34/8 |
| D. 280,857 | 10/1985 | Fuller et al. | | D34/11 |
| D. 281,111 | 10/1985 | McClelland | | D34/8 |
| D. 293,843 | 1/1988 | Kroil et al. | | D34/8 |
| D. 318,354 | 7/1991 | Delmerco | | D34/7 |
| D. 321,426 | 4/1974 | Mele | | D34/11 |
| D. 321,576 | 11/1991 | Hradisky | | D34/8 |
| D. 324,749 | 3/1992 | Bray | | D34/7 |
| D. 326,343 | 5/1992 | Hradisky | | D34/7 |
| D. 326,754 | 6/1992 | Hradisky | | D34/7 |
| D. 331,134 | 11/1992 | Hradisky | | D34/11 |
| D. 333,716 | 3/1993 | Bird et al. | | D34/8 |
| D. 343,267 | 1/1994 | Draft et al. | | D34/11 |
| D. 351,705 | 10/1994 | Bird et al. | | D34/11 |
| D. 358,918 | 5/1995 | Gale | | D34/11 |
| D. 370,107 | 5/1996 | Brightbill et al. | | D34/11 |

(List continued on next page.)

OTHER PUBLICATIONS

Sell sheet, Wastebasket lid; Sterilite Corporation, P. O. Box 524, Main Street, Townsend, Massachusetts. Published at least as early as Jan. 17, 1990.

Pp. 5, 6 and 7, Wastebasket lids; Continental Manufacturing Company, 123 Byassee Drive, Hazelwood, Missouri 63042. Published at least as early as Oct. 1994.

P. 21, Wastebasket lid; Umbra Shades Ltd., 2358 Midland Avnue, Scarborough, Ontario, Canada M1S 1P8. Publication date 1993.

Catalog page, Wastebasket lid; Polder, Inc., 200 Central Park Ave., P. O. Box 456, Hartsdale, New York 10530. Publication date Jan. 1, 1991.

Catalog page, Wastebasket lid; Placewares, 351 Congress Street, Boston, Massachusetts 02210. Published at least 95 early as 1990.

Catalog page, Wastebasket lid; F. H. Lawson Co., 801 Evans Street, Cincinnati, Ohio 45204. Published at least as early as 1987.

Pp. 6 and 7, Wastebasket lids; Tucker Housewares, 25 Tucker Drive, Leominster, Massachusetts 01453. Published at least as early as Aug., 1994.

(List continued on next page.)

Primary Examiner—Alan P. Douglas
Assistant Examiner—Robin V. Taylor
Attorney, Agent, or Firm—Richard B. O’Planick; Timothy A. Nathan

[57] **CLAIM**

The ornamental design for a wastebasket lid, as shown and described.

DESCRIPTION

FIG. 1 is a top right front perspective view of a wastebasket lid showing my new design;

FIG. 2 is a right side elevational view thereof; the left side elevational view being a mirror image;

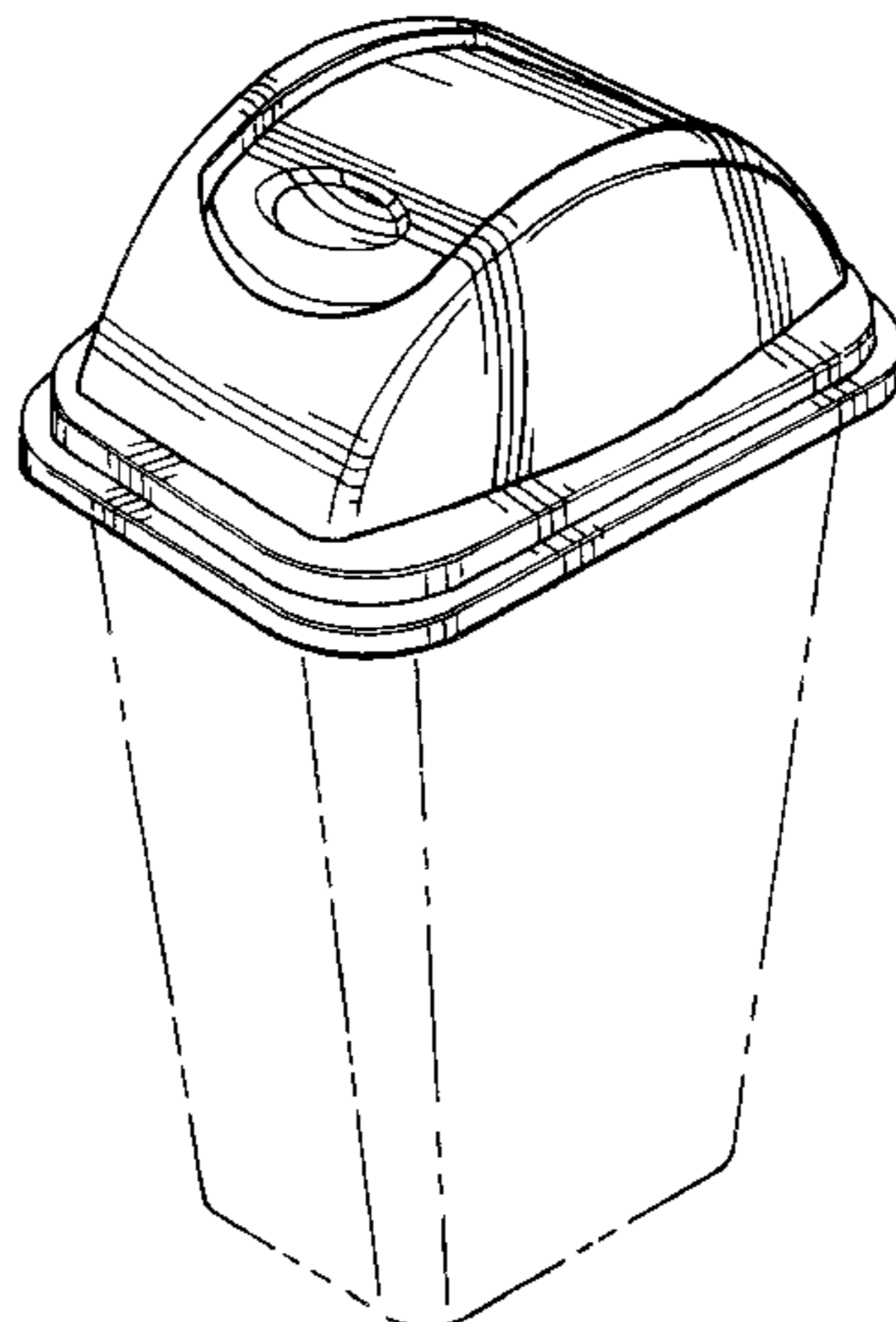
FIG. 3 is a front elevational view thereof; the rear elevational view being a mirror image;

FIG. 4 is a top plan view thereof; and,

FIG. 5 is a bottom plan view thereof.

The broken line showing of a trash receptacle is for illustrative purposes only and forms no part of the claimed design.

1 Claim, 3 Drawing Sheets



U.S. PATENT DOCUMENTS

| | | | |
|------------|---------|------------------------|----------|
| D. 370,108 | 5/1996 | Brightbill et al. | D34/11 |
| D. 391,727 | 3/1998 | Delmerico | D34/11 |
| D. 391,728 | 3/1998 | Delmerico | D34/11 |
| D. 391,729 | 3/1998 | Delmerico | D34/11 |
| 3,083,859 | 4/1963 | Gardiner | 220/30 |
| 3,219,227 | 11/1965 | Deisner . | |
| 3,482,730 | 12/1969 | Podwalny | 220/31 |
| 3,904,218 | 9/1975 | Kostle | 280/79.2 |
| 4,032,037 | 6/1977 | Dubery et al. | 220/335 |
| 5,381,921 | 1/1995 | Bray et al. | 220/404 |
| 5,611,450 | 3/1997 | DeMars | 220/334 |

OTHER PUBLICATIONS

Catalog page, Wastebasket lid; Schlosser & Co. GmbH, Industriestr. 22, 8062 Markt Indersdorf. Published at least as early as Dec., 1995.

Catalog page, Wastebasket lid; Fulton Hygiene Systems Ltd., Fulton House, 30A Milner Street, Belfast BT126GE Ireland. Published at least as early as Jan., 1998.

P. 5, Wastebasket lid; Curver, Takkebijsters 75, Postbus 6810, 4802 HV Breda, The Netherlands. Publications date 1991.

P. 67, Wastebasket lids; Iwasaki Industry Inc., No. 26 Showa Kogyo Danchi, Nukatabe Kita-machi, Yamato-Koriyama, Nara 639-11 Japan. Publication date 1990-91.

P. 6, Wastebasket lid; Dupol-Rubbermaid, GmbH, An der Trift 63, D06072 Drieieich, West Germany. Publication date 1989.

P. 9, Wastebasket lid; Rubbermaid Commercial Products Inc., 3124 Valley Ave., Winchester, Virginia 22601.

Catalog page, Wastebasket lid; Rubbermaid Incorporated, 1147 Akron Road, Wooster, Ohio 44691 Publication date 1998.

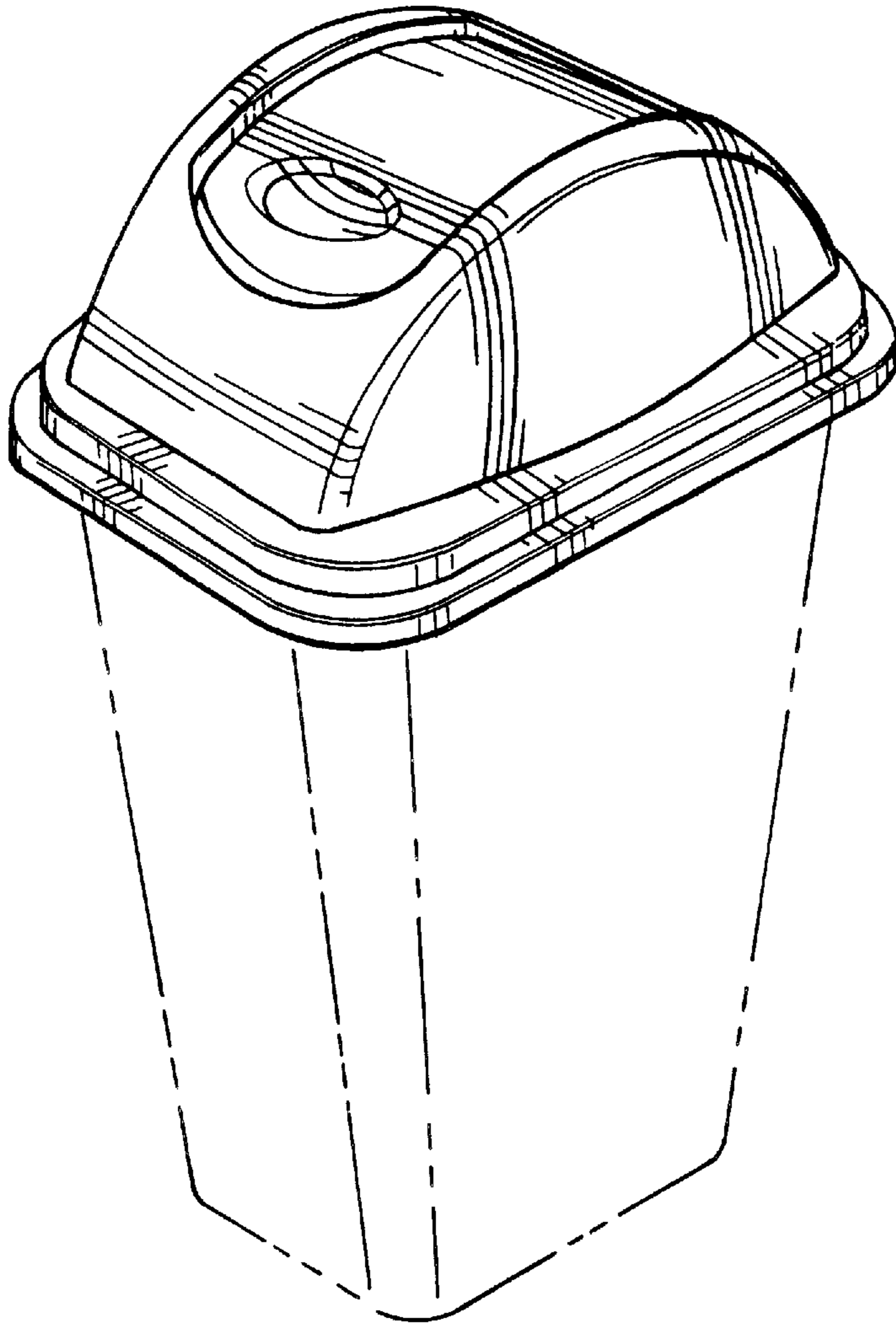
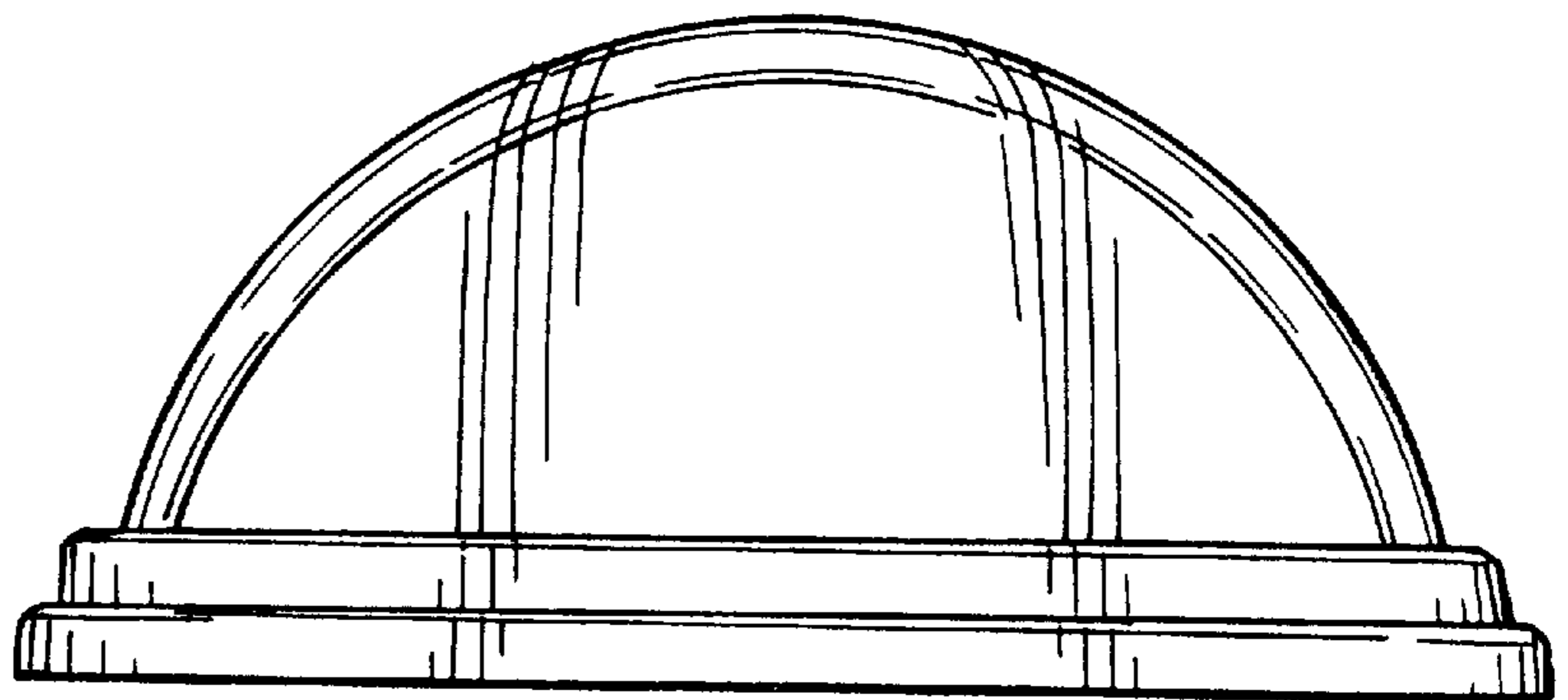


Fig-1

Fig-2



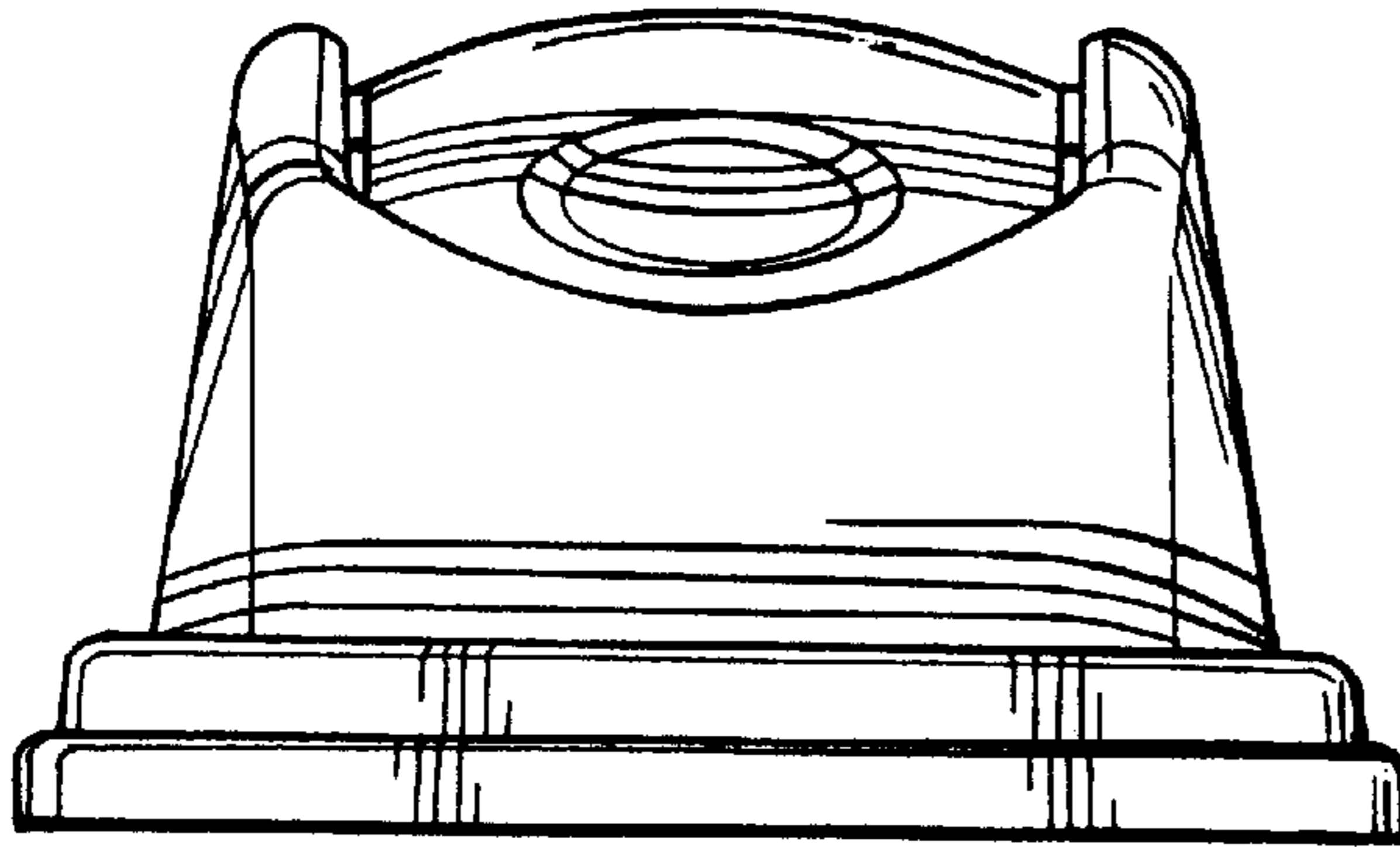


Fig-3

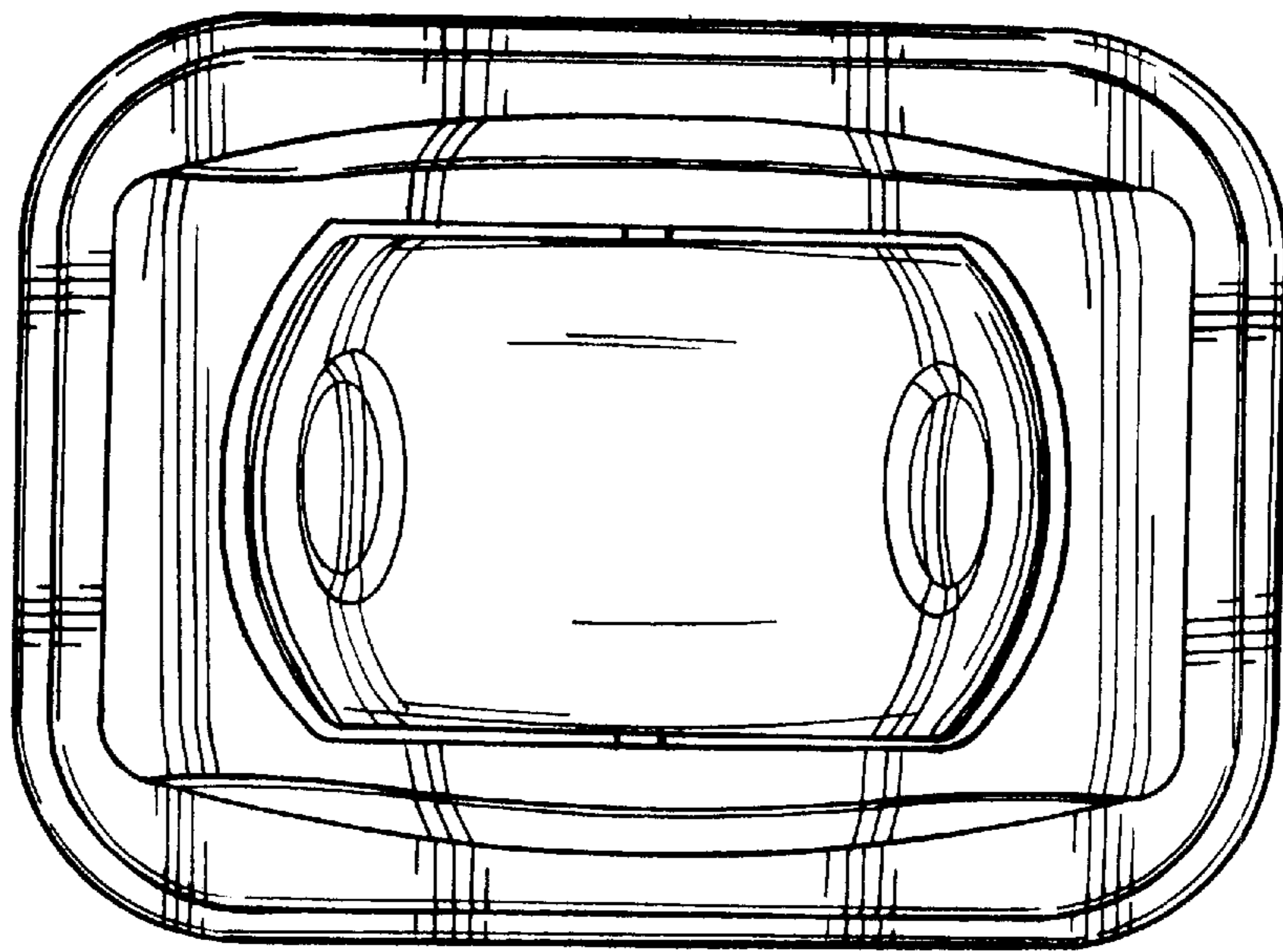


Fig-4

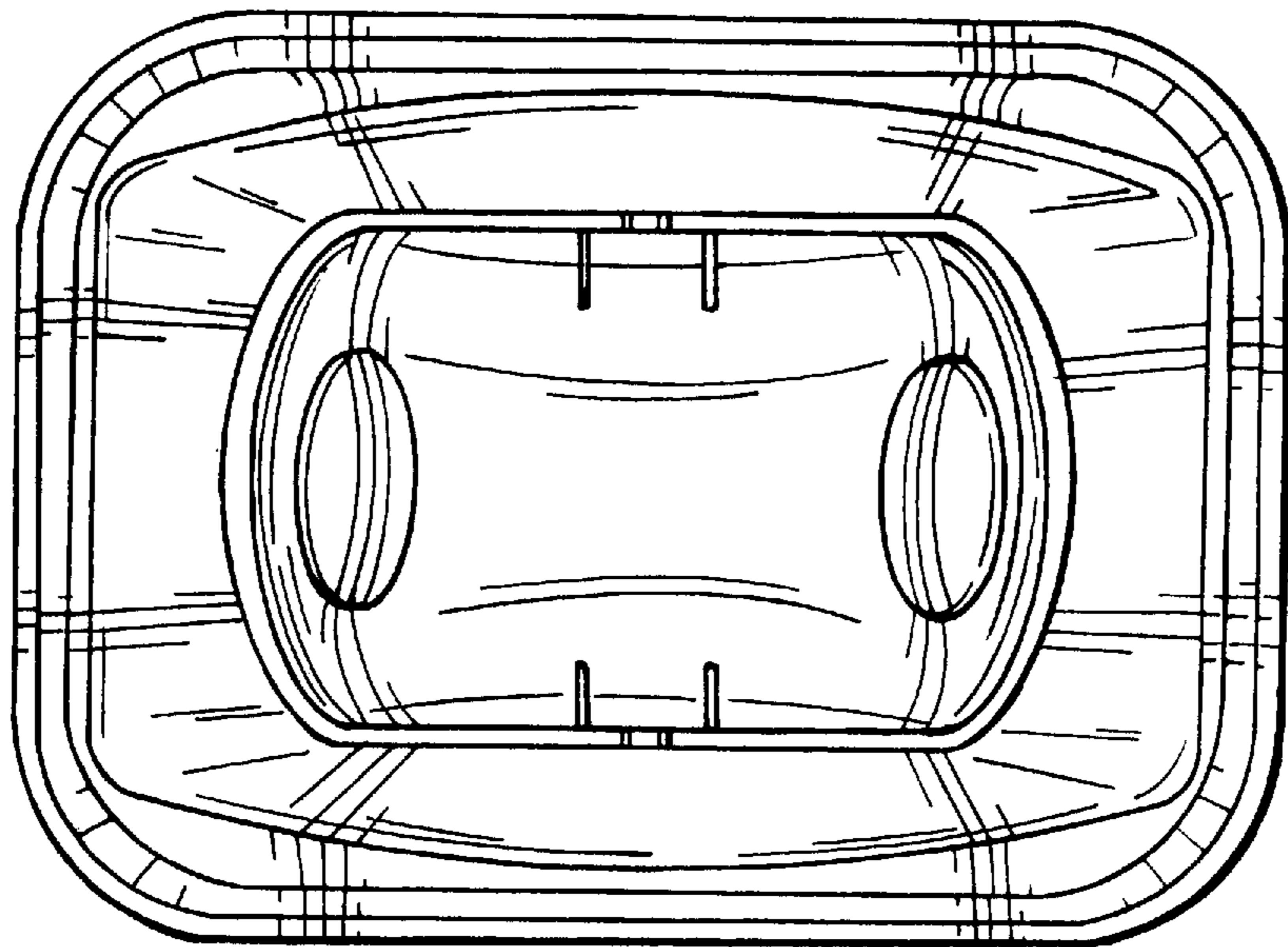


Fig-5