



US00D407876S

United States Patent [19] Ward

[11] **Patent Number: Des. 407,876**

[45] **Date of Patent: **Apr. 6, 1999**

[54] **WINDOW CLEANING SET INCLUDING A DISPENSING HANDLE**

[76] Inventor: **Gerald L. Ward**, 8959 N. Dewall La., Pocatello, Id. 83201

[**] Term: **14 Years**

[21] Appl. No.: **83,322**

[22] Filed: **Feb. 5, 1998**

[51] **LOC (6) Cl. 08-05**

[52] **U.S. Cl. D32/45; D32/41; D32/42**

[58] **Field of Search D32/35, 40, 41, D32/42, 49, 46; 15/121, 232, 236.01, 232.02, 245, 245.1; D4/116, 118; 401/138, 139**

[56] **References Cited**

U.S. PATENT DOCUMENTS

D. 235,410	6/1975	Epstein .	
D. 308,139	5/1990	Viner	D4/118
D. 318,158	7/1991	Ediger et al.	D32/42
D. 357,850	5/1995	Walsh	D32/41 X
D. 388,568	12/1997	Leonard et al.	D32/41
2,722,701	11/1955	Blum et al.	401/139
2,741,789	4/1956	Ray	401/139
3,724,017	4/1973	Mallory	15/121
4,240,176	12/1980	Farmer	15/121
5,343,586	9/1994	Vosbikian	15/121

Primary Examiner—Susan J. Lucas

Assistant Examiner—Cynthia E. Ramirez

[57] **CLAIM**

The ornamental design for a cleaning set including a dispensing handle, as shown and described.

DESCRIPTION

FIG. 1 is a front elevational view of the window cleaning set including a dispensing handle of the present invention;

FIG. 2 is a rear elevational view of the window cleaning set including a dispensing handle of FIG. 1;

FIG. 3 is a left side elevational view of the window cleaning set including a dispensing handle of FIG. 1;

FIG. 4 is a right side elevational view of the window cleaning set including a dispensing handle of FIG. 1; of the window cleaning set including a dispensing handle of FIG. 1 showing the scraper head and sponge head in alternate positions;

FIG. 5 is a top plan view of the window cleaning set including a dispensing handle of FIG. 1;

FIG. 6 is a bottom plan view of the window cleaning set including a dispensing handle of FIG. 1;

FIG. 7 is a front elevational view of the window cleaning set including a dispensing handle of FIG. 1 showing the scraper head and sponge head in alternate positions;

FIG. 8 is a rear elevational view of the window cleaning set including a dispensing handle of FIG. 7;

FIG. 9 is a top plan view of the window cleaning set including a dispensing handle of FIG. 7;

FIG. 10 is a bottom plan view of the window cleaning set including a dispensing handle of FIG. 7;

FIG. 11 is a right side elevational view of the window cleaning set including a dispensing handle of FIG. 7, the left side elevational view being a mirror image thereof;

FIG. 12 is a front elevational view of the window cleaning set including a dispensing handle of FIG. 1 showing the squeegee head and sponge head in alternate positions;

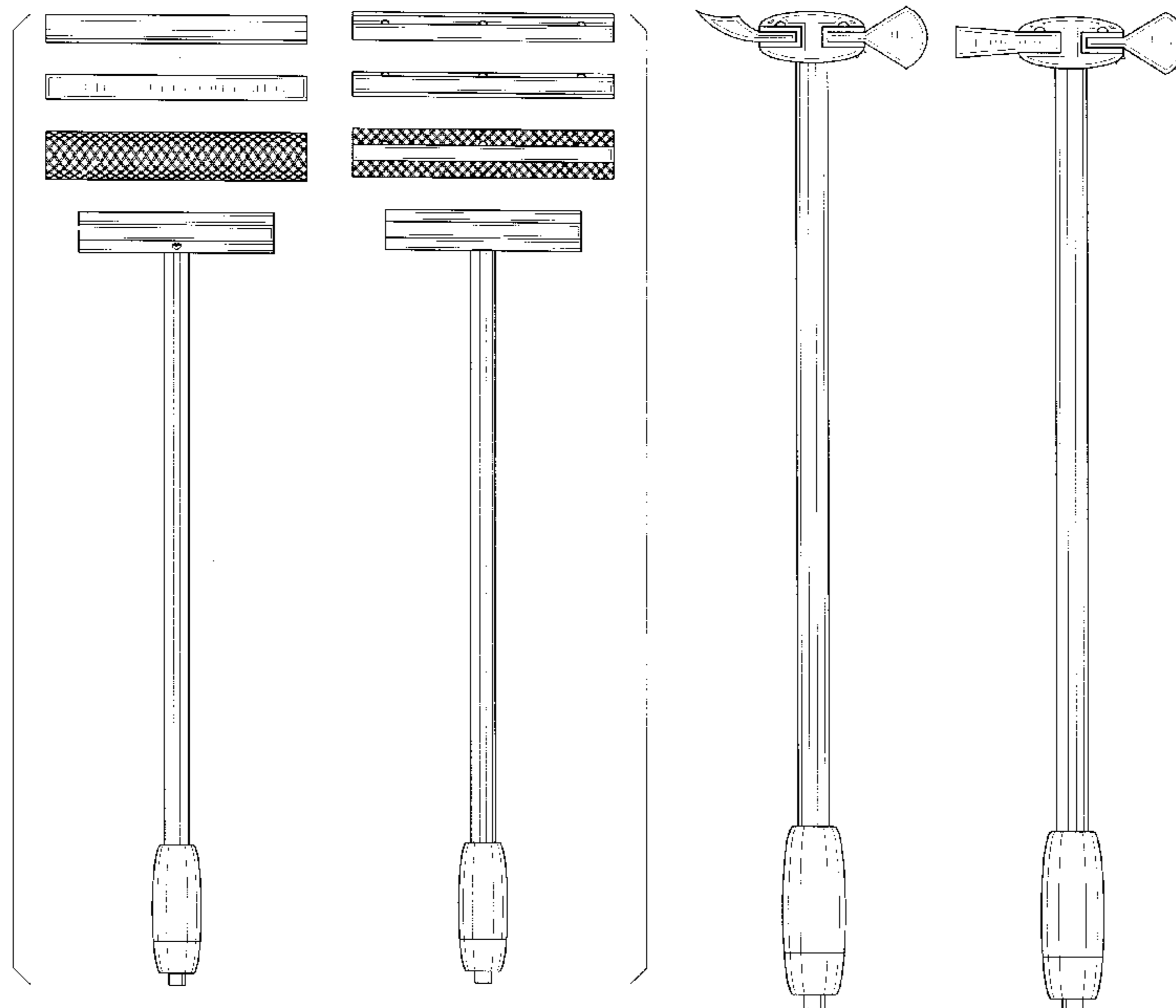
FIG. 13 is a rear elevational view of the window cleaning set including a dispensing handle of FIG. 12;

FIG. 14 is a top plan view of the window cleaning set including a dispensing handle of FIG. 12;

FIG. 15 is a bottom plan view of the window cleaning set including a dispensing handle of FIG. 12; and,

FIG. 16 is a right side elevational view of the window cleaning set including a dispensing handle of FIG. 12, the left side elevational view being a mirror image thereof.

1 Claim, 7 Drawing Sheets



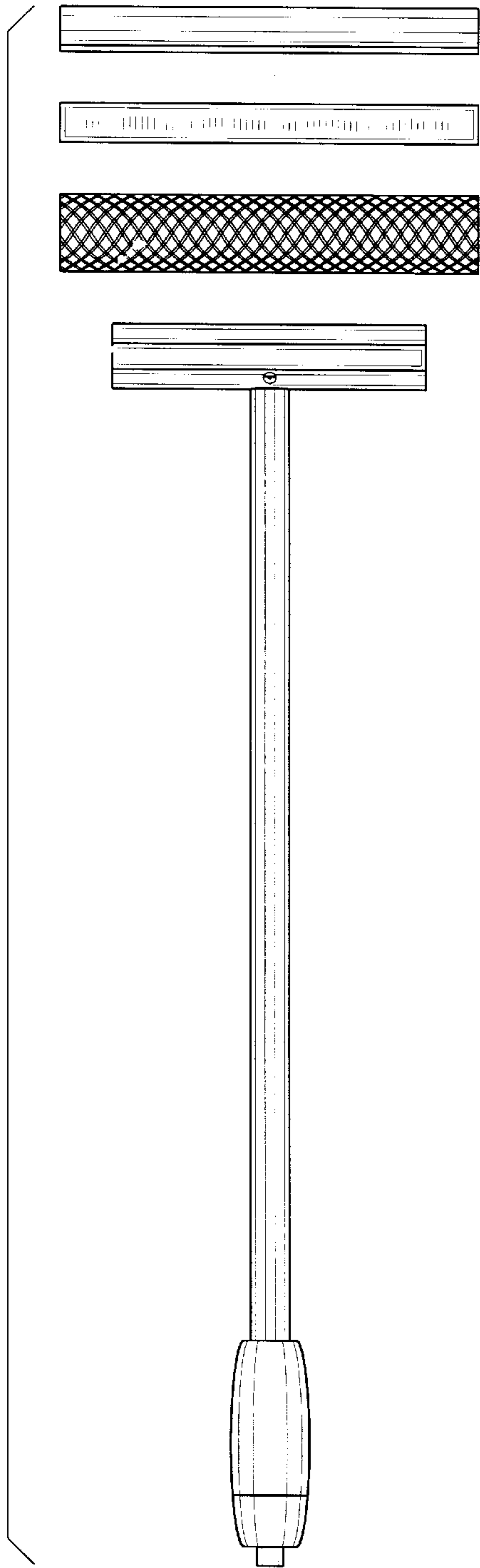


Fig. 1

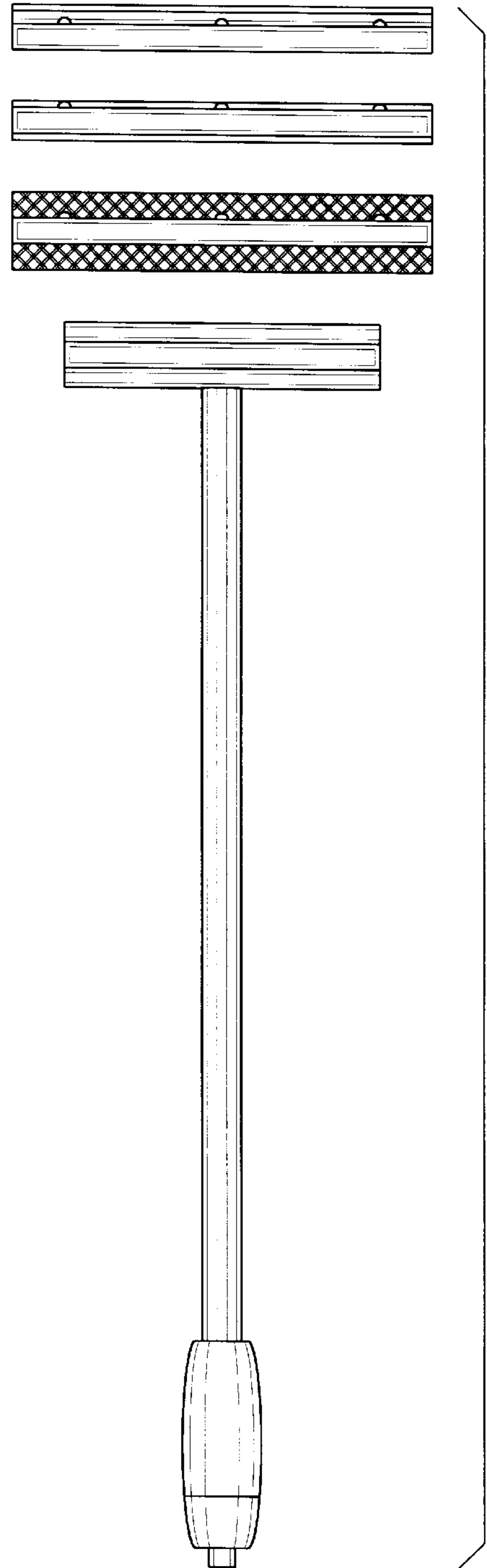


Fig. 2

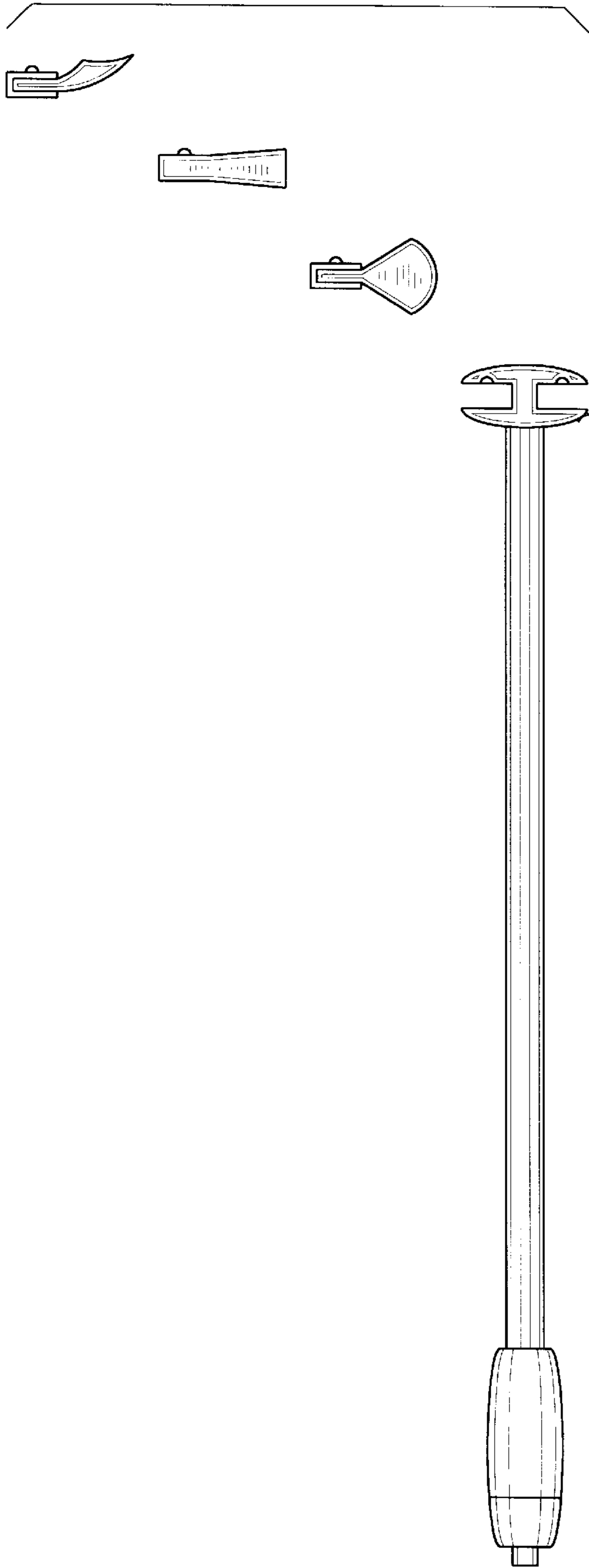


Fig. 3

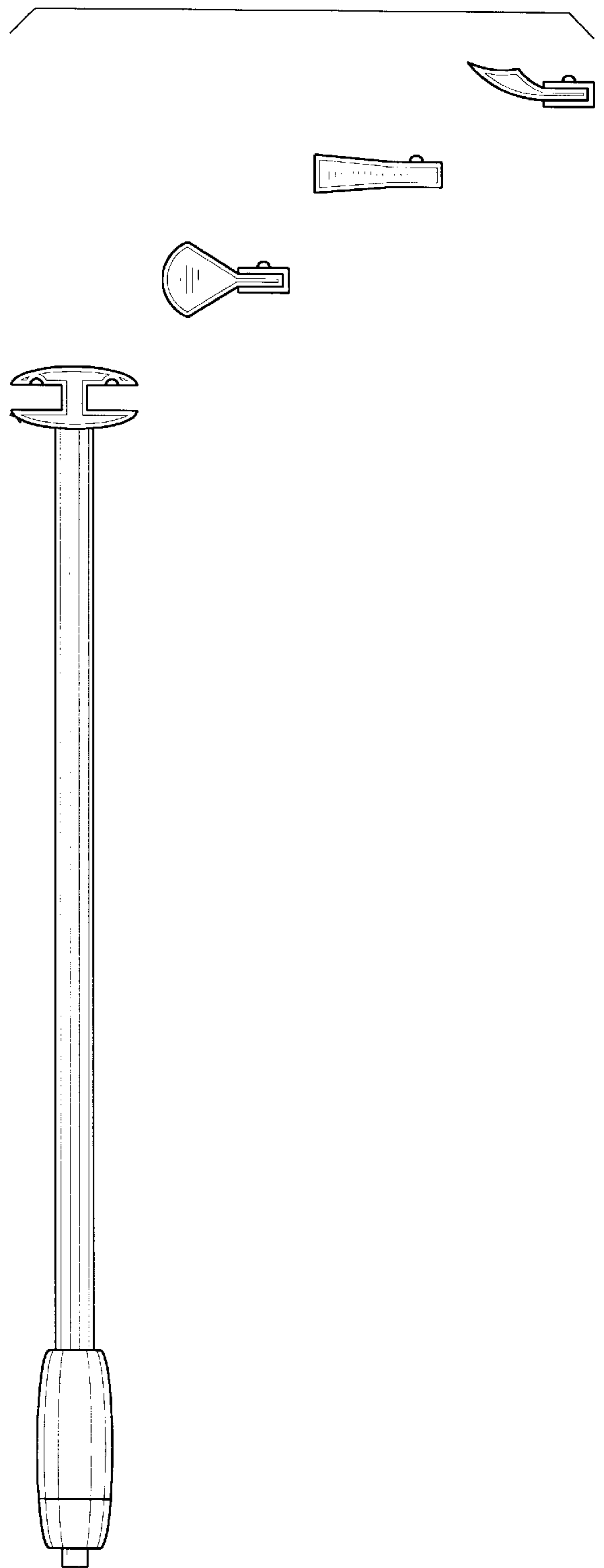


Fig. 4

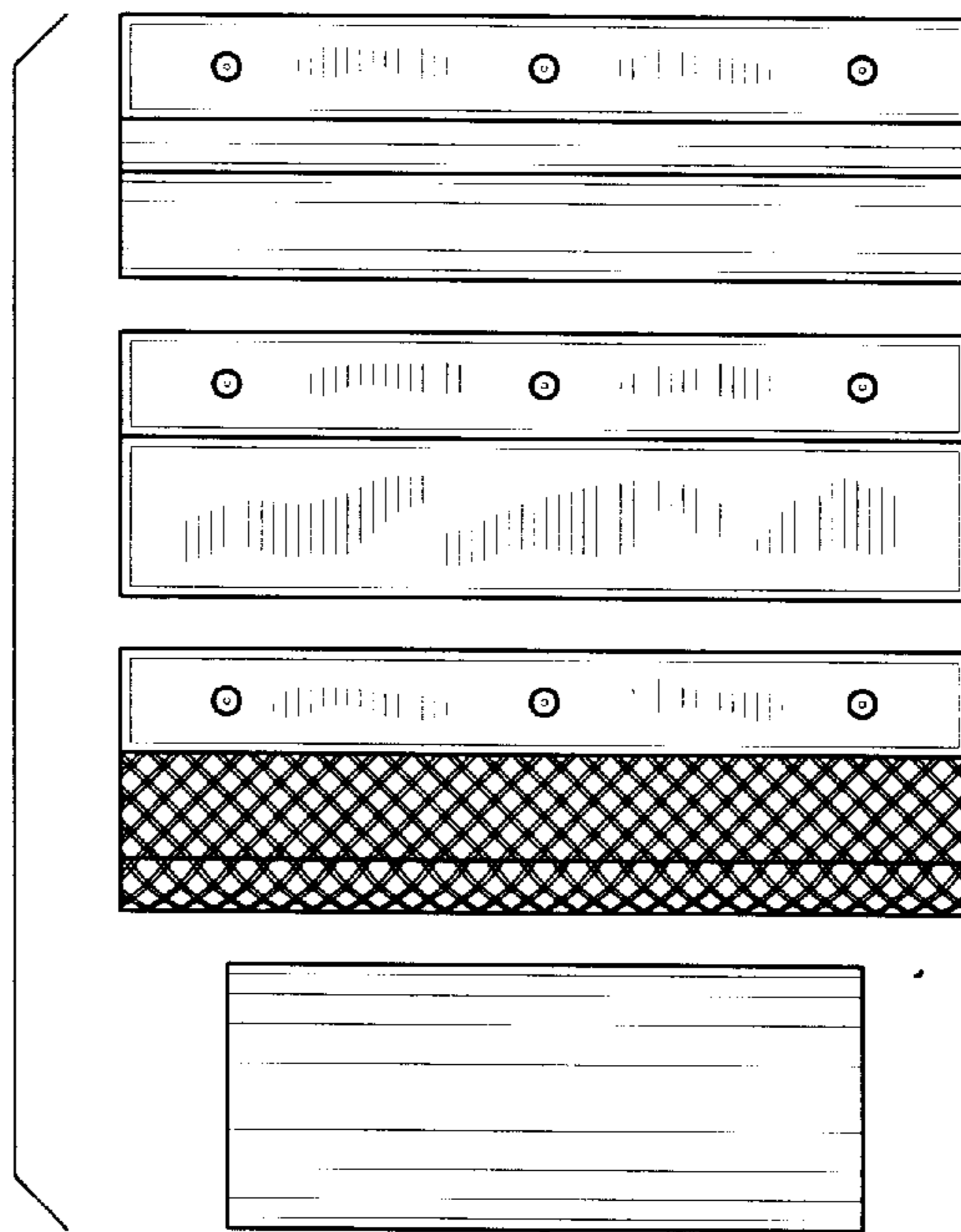


Fig. 5

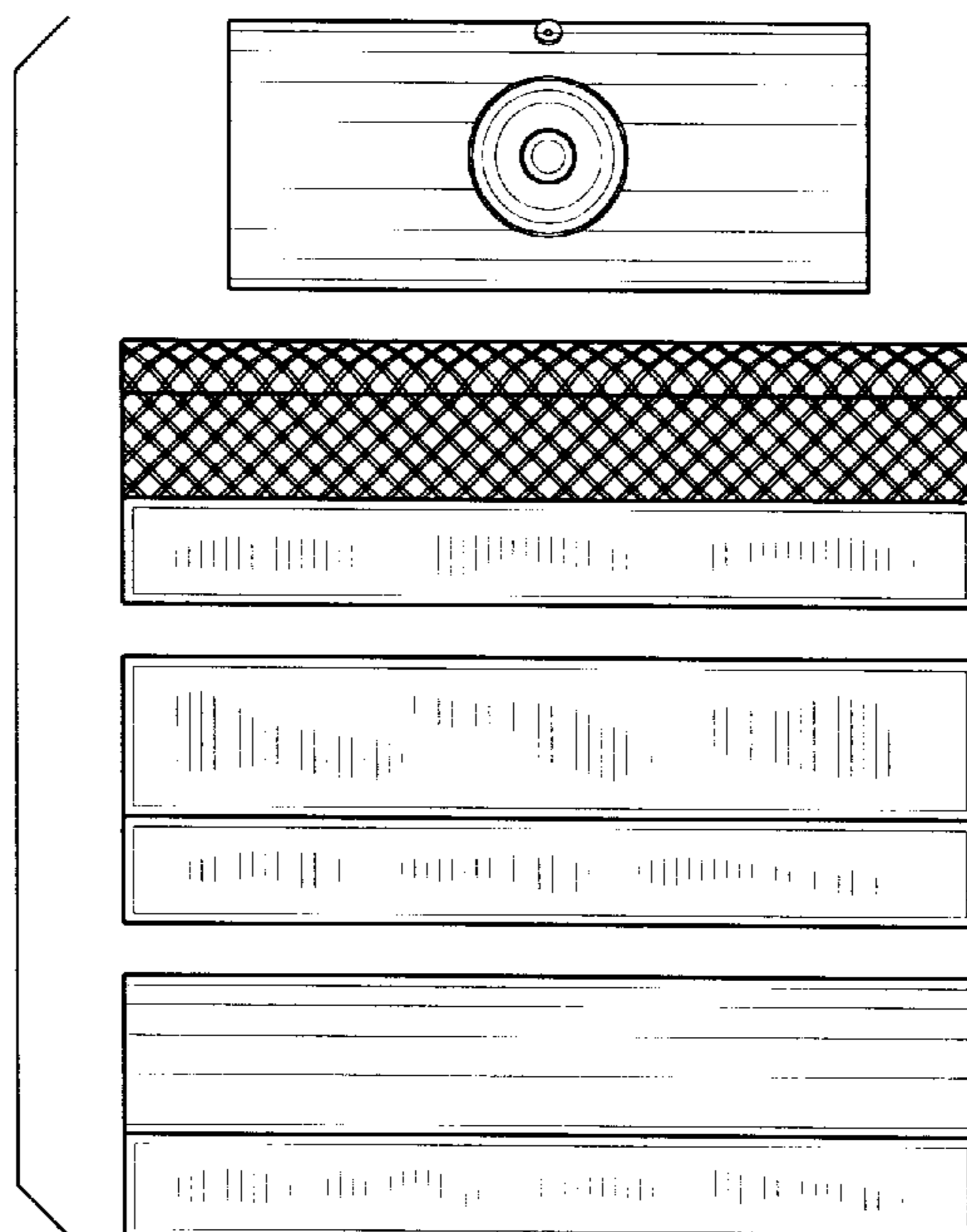


Fig. 6

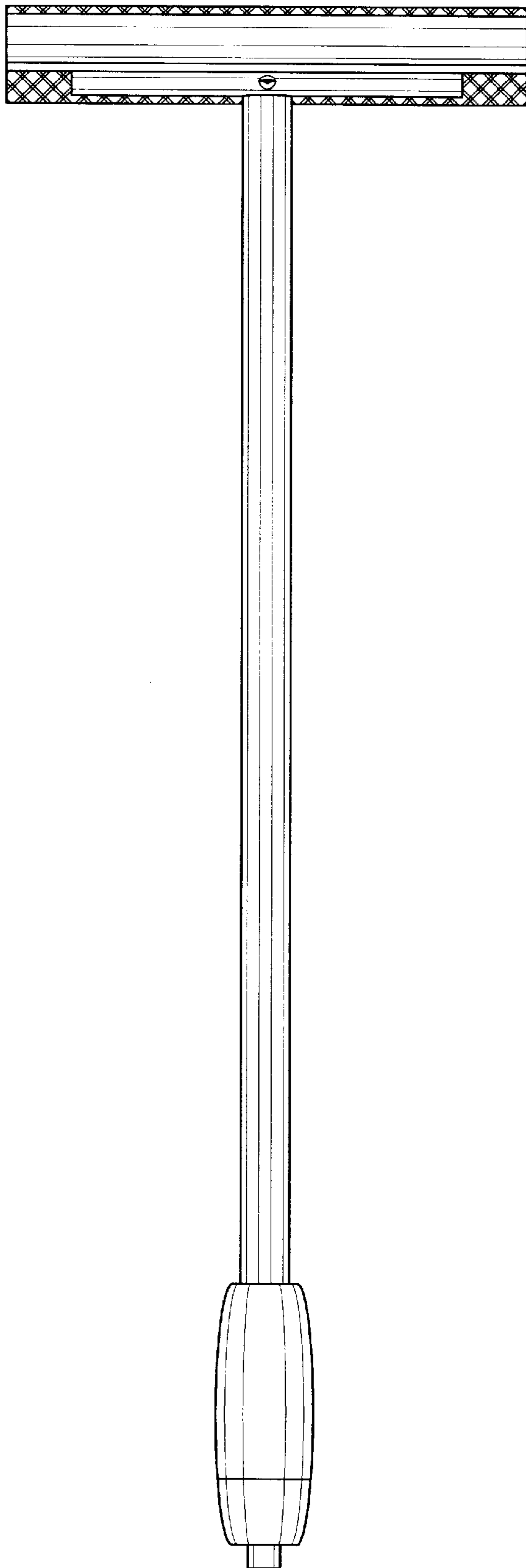


Fig. 7

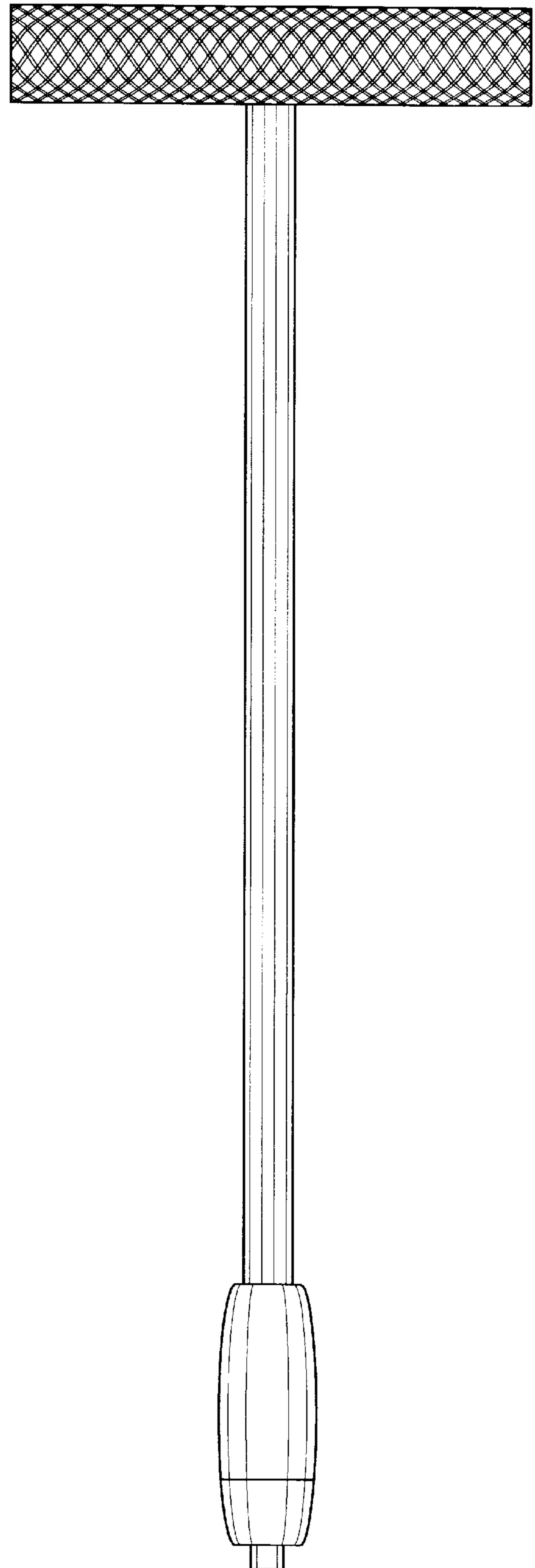


Fig. 8

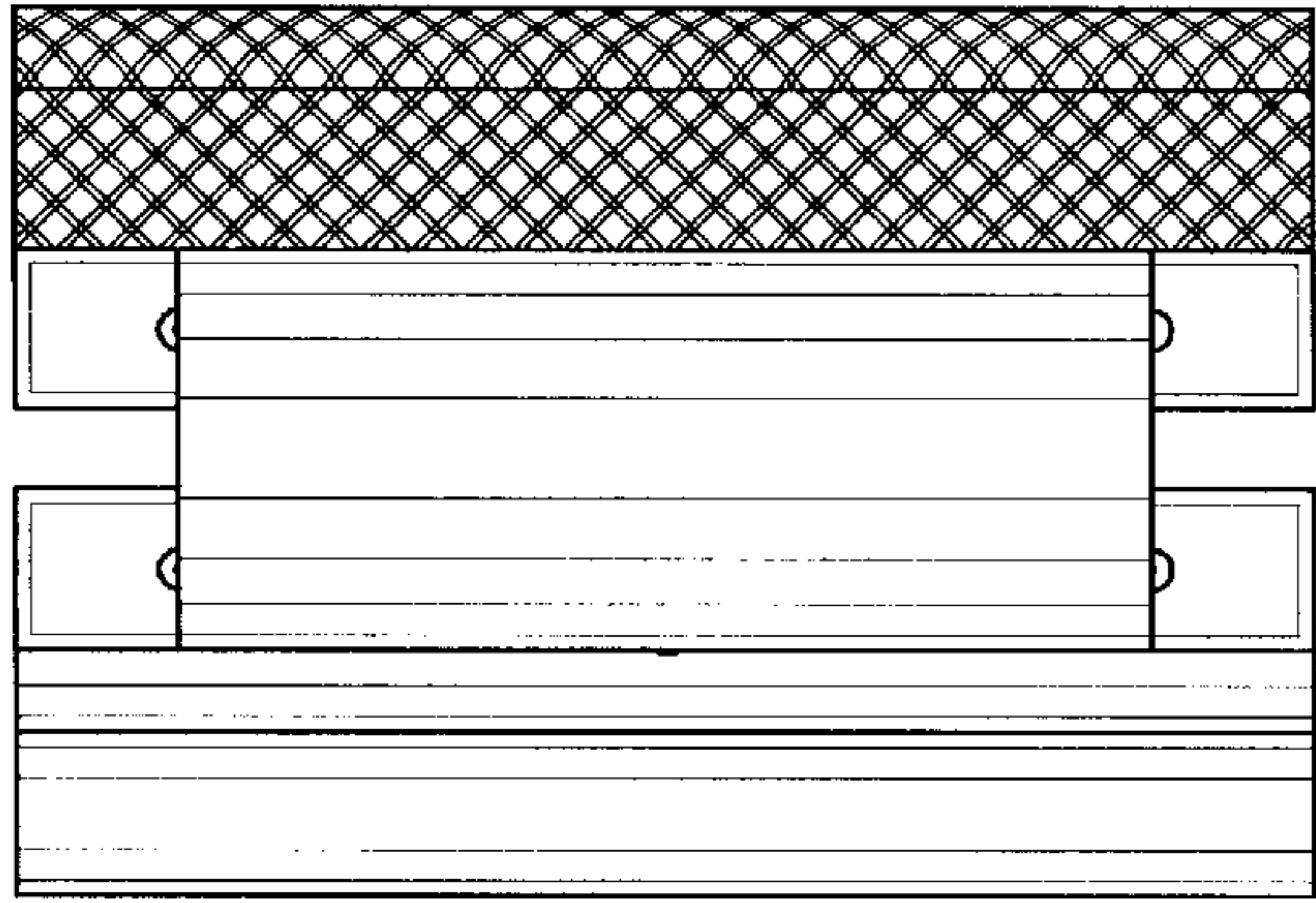


Fig. 9

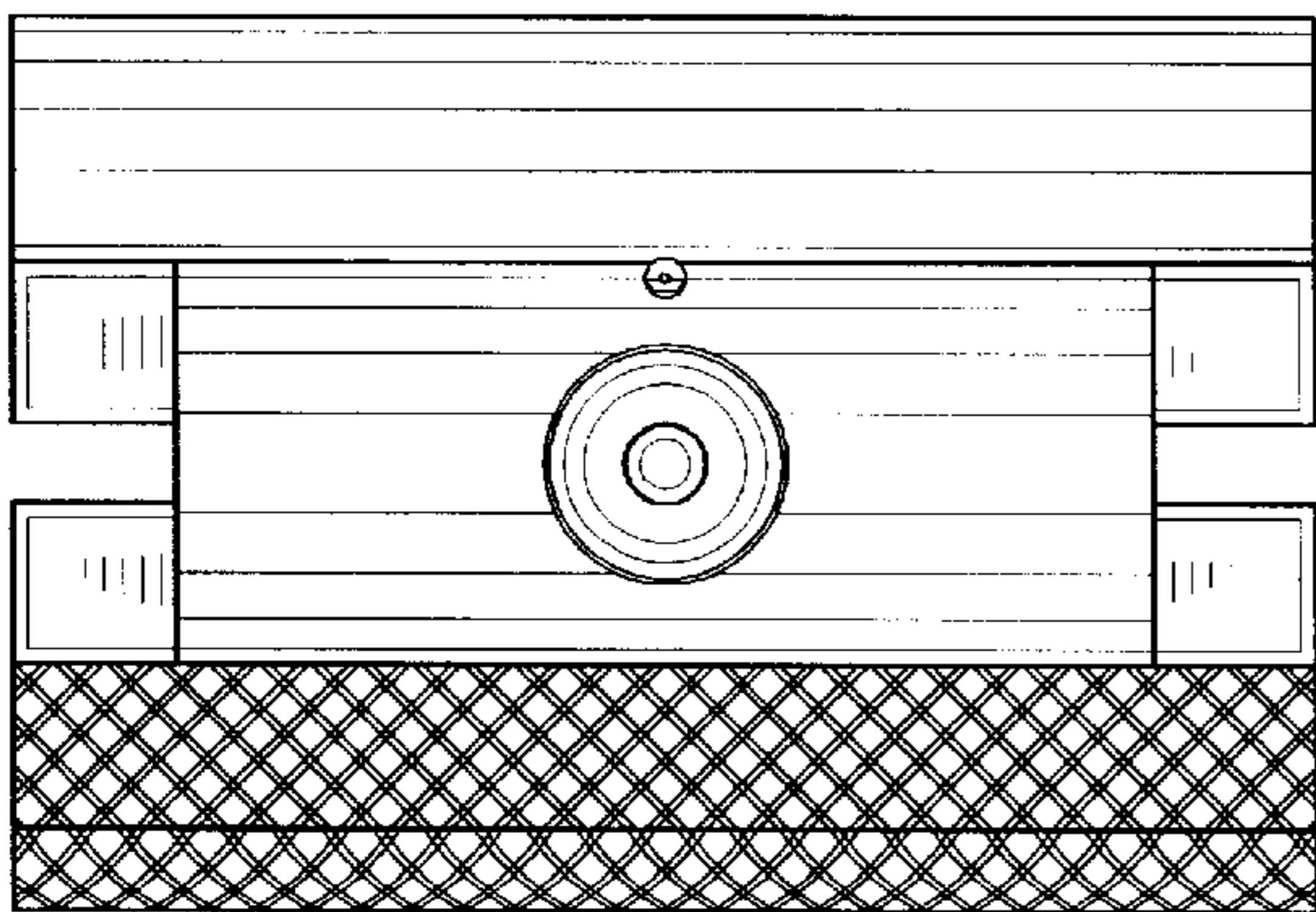


Fig. 10

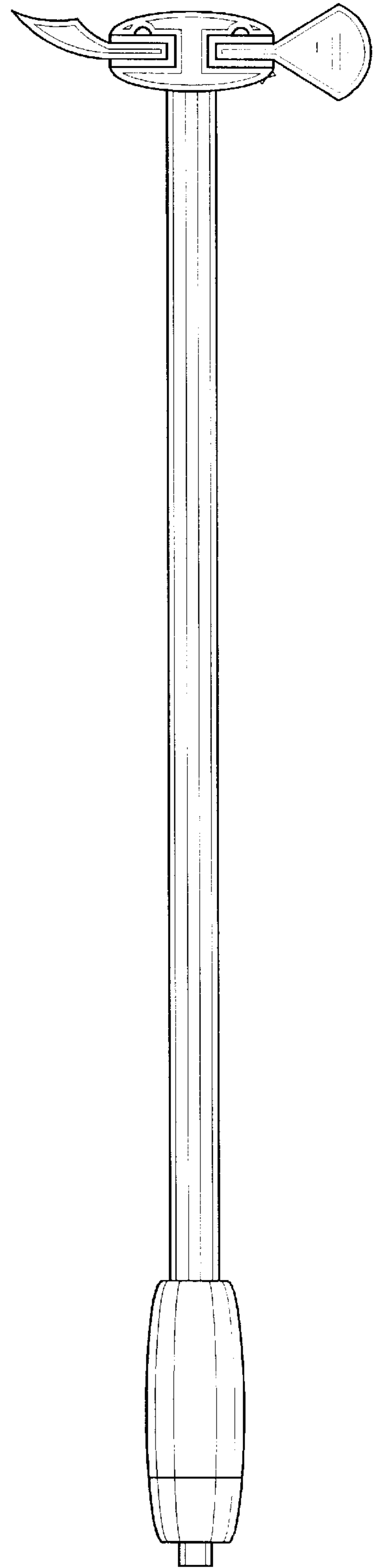


Fig. 11

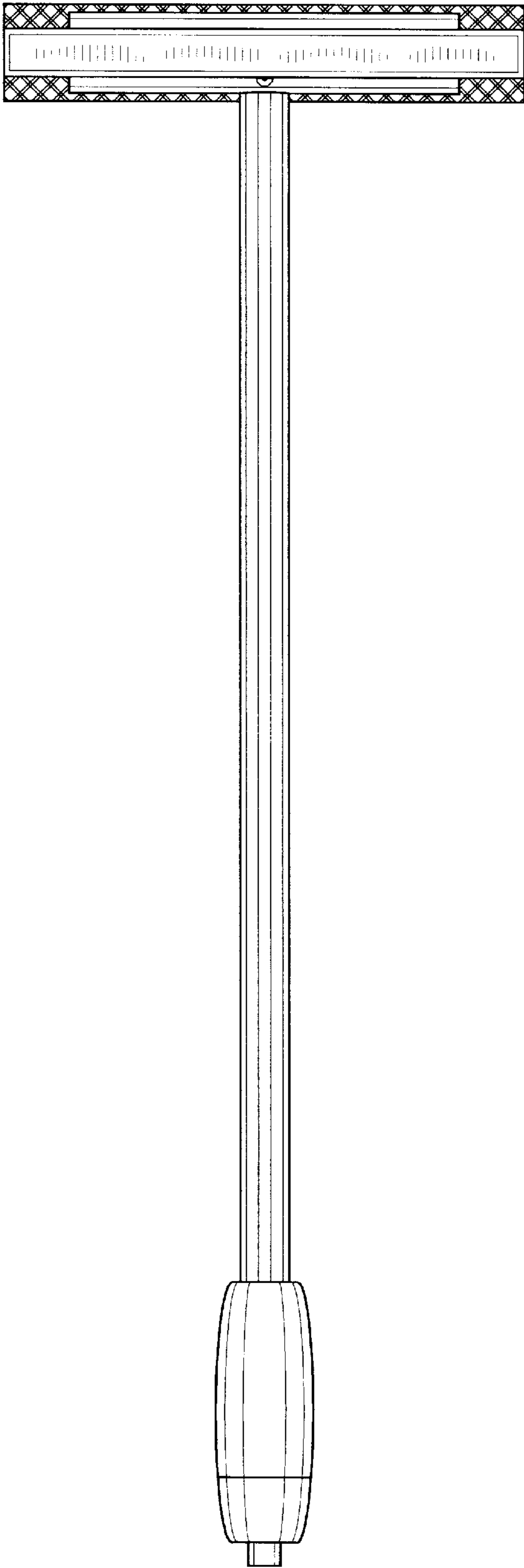


Fig. 12

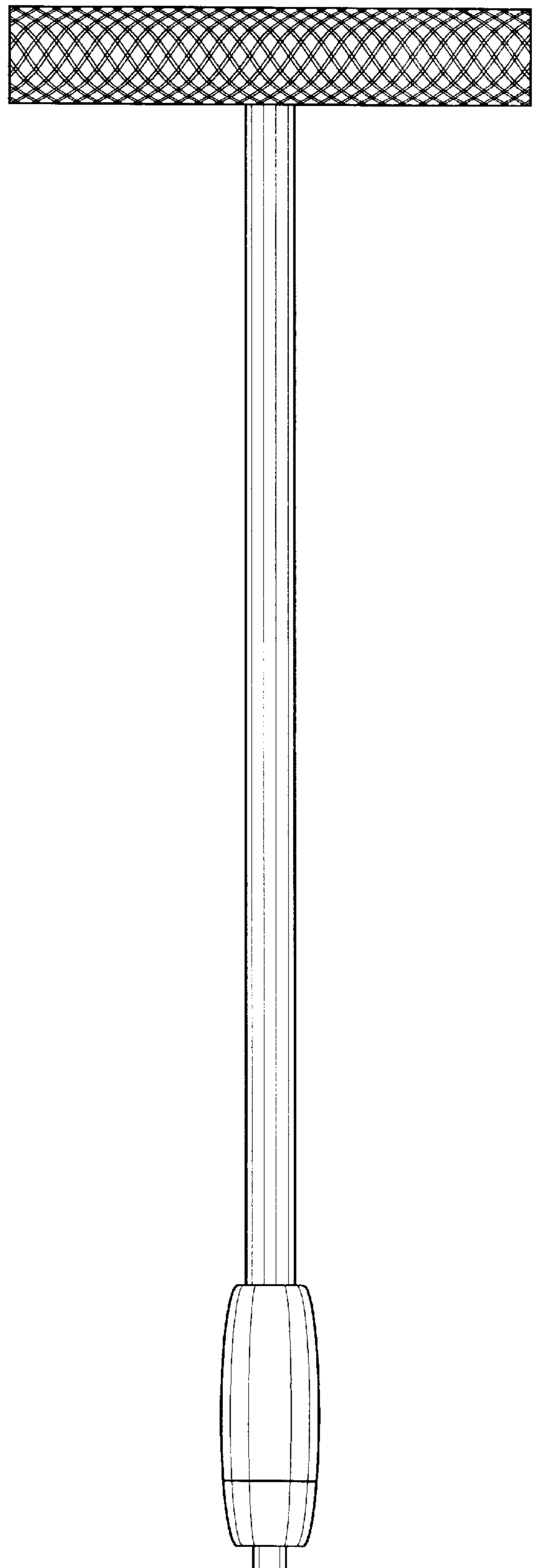


Fig. 13

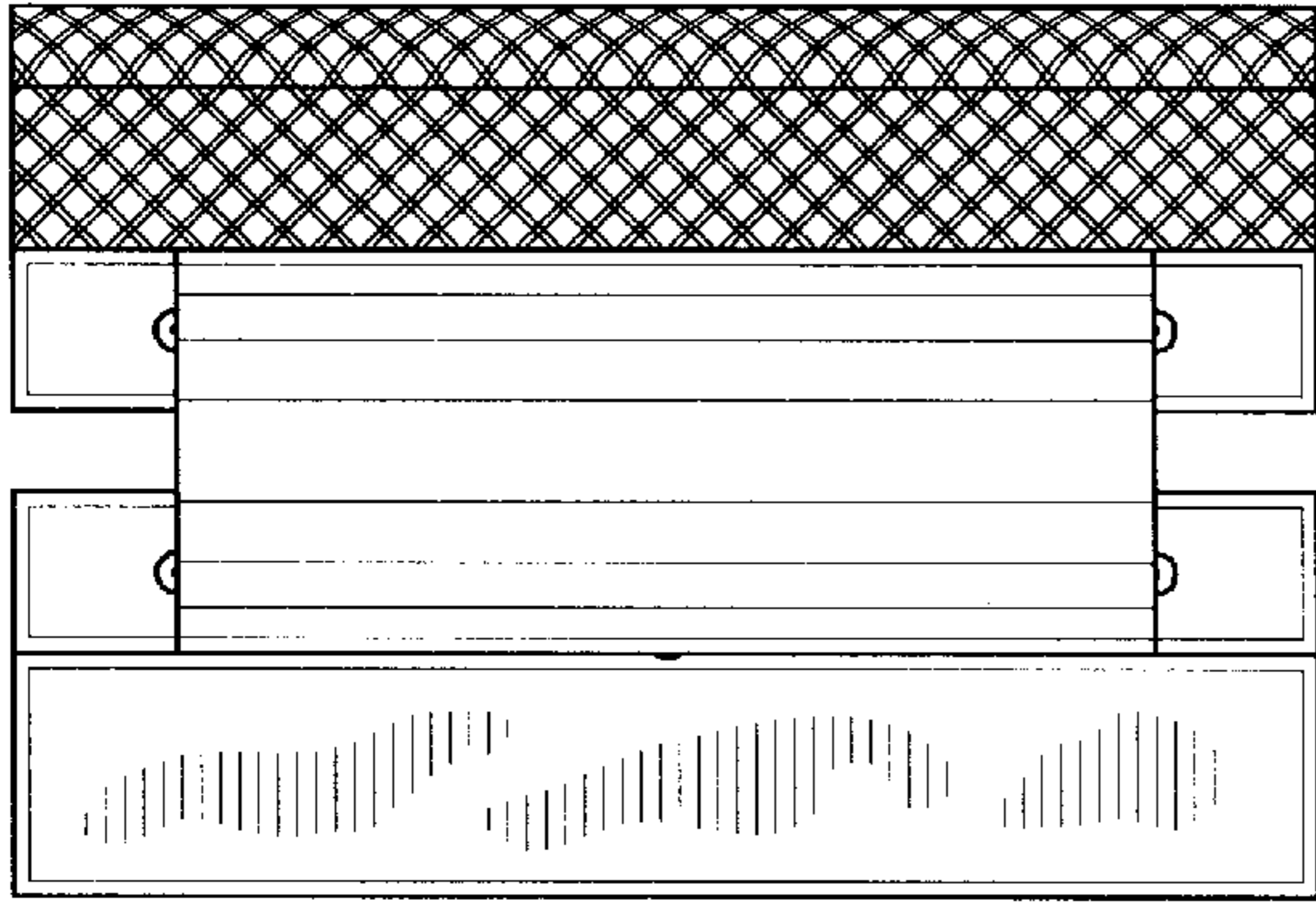


Fig. 14

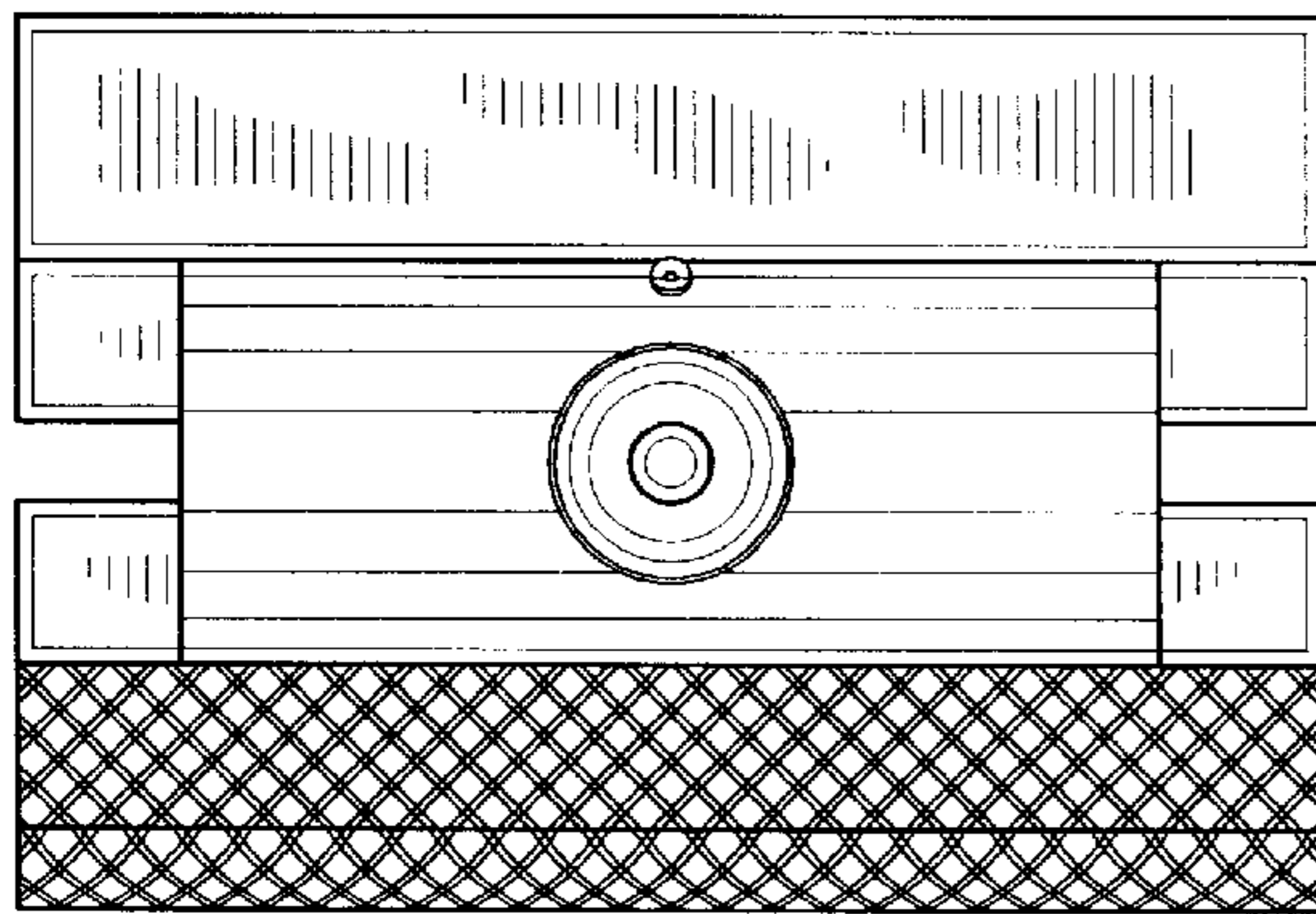


Fig. 15

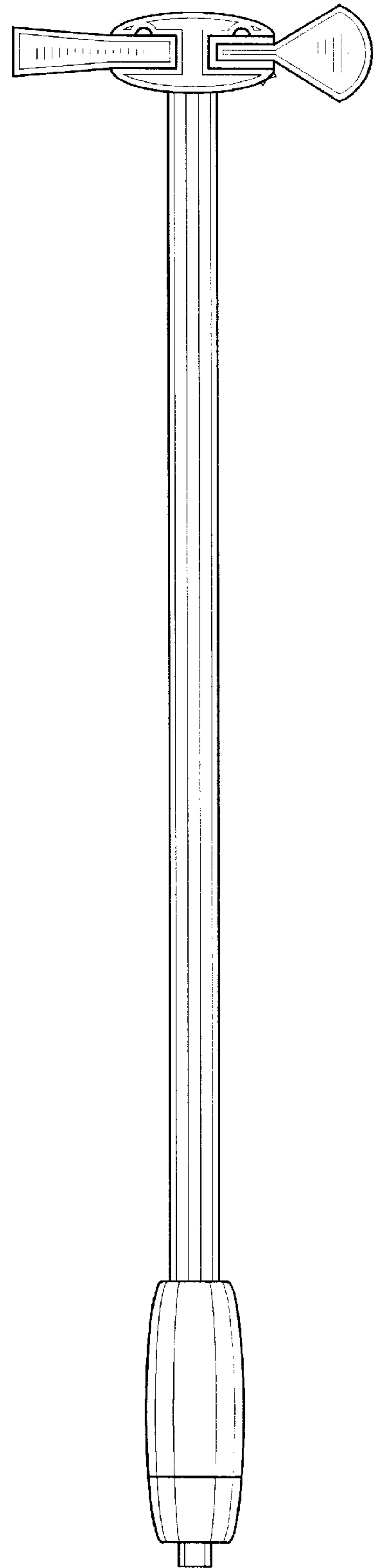


Fig. 16