



US00D407874S

# United States Patent [19]

Burchard et al.

[11] Patent Number: Des. 407,874

[45] Date of Patent: \*\*Apr. 6, 1999

## [54] CHAMBER FOR A VACUUM CLEANER

[75] Inventors: **Thomas H. Burchard**, Winchester;  
**David Malina**, Boston, both of Mass.

[73] Assignee: **Fantom Technologies Inc.**, Welland,  
Canada

[\*\*] Term: **14 Years**

[21] Appl. No.: **80,003**

[22] Filed: **Nov. 28, 1997**

### Related U.S. Application Data

[63] Continuation of Ser. No. 46,951, Nov. 22, 1995.

[51] **LOC (6) Cl.** ..... **15-05**

[52] **U.S. Cl.** ..... **D32/31**

[58] **Field of Search** ..... D32/21-22, 31-34;  
15/320-321, 335, 344, 346-347, 350, 351,  
352, 353, 412, 329; 55/342, 345, 429, 439,  
472, 436, 459.1, DIG. 3, 337

### [56] References Cited

#### U.S. PATENT DOCUMENTS

D. 305,269	12/1989	Dyson	.....	D32/22
D. 309,203	7/1990	Goodrich	.....	D32/22
D. 343,707	1/1994	Dyson	.....	D32/22
D. 365,669	12/1995	Piccaluga et al.	.....	D32/22
D. 375,820	11/1996	Piccaluga et al.	.....	D32/22
4,373,228	2/1983	Dyson	.	
4,571,772	2/1986	Dyson	.	
4,593,429	6/1986	Dyson	.	
5,078,761	1/1992	Dyson	.	
5,101,532	4/1992	Dyson et al.	.....	15/320
5,145,499	9/1992	Dyson	.....	55/337
5,254,147	10/1993	Finke	.....	55/337
5,267,371	12/1993	Soler et al.	.....	15/327.5
5,558,697	9/1996	Dyson et al.	.	
5,743,925	4/1996	Bench	.....	55/274

## FOREIGN PATENT DOCUMENTS

54488 7/1984 Canada .

*Primary Examiner*—Ruth McInroy  
*Attorney, Agent, or Firm*—Philip Mendes da Costa;  
Bereskin & Parr

### [57] CLAIM

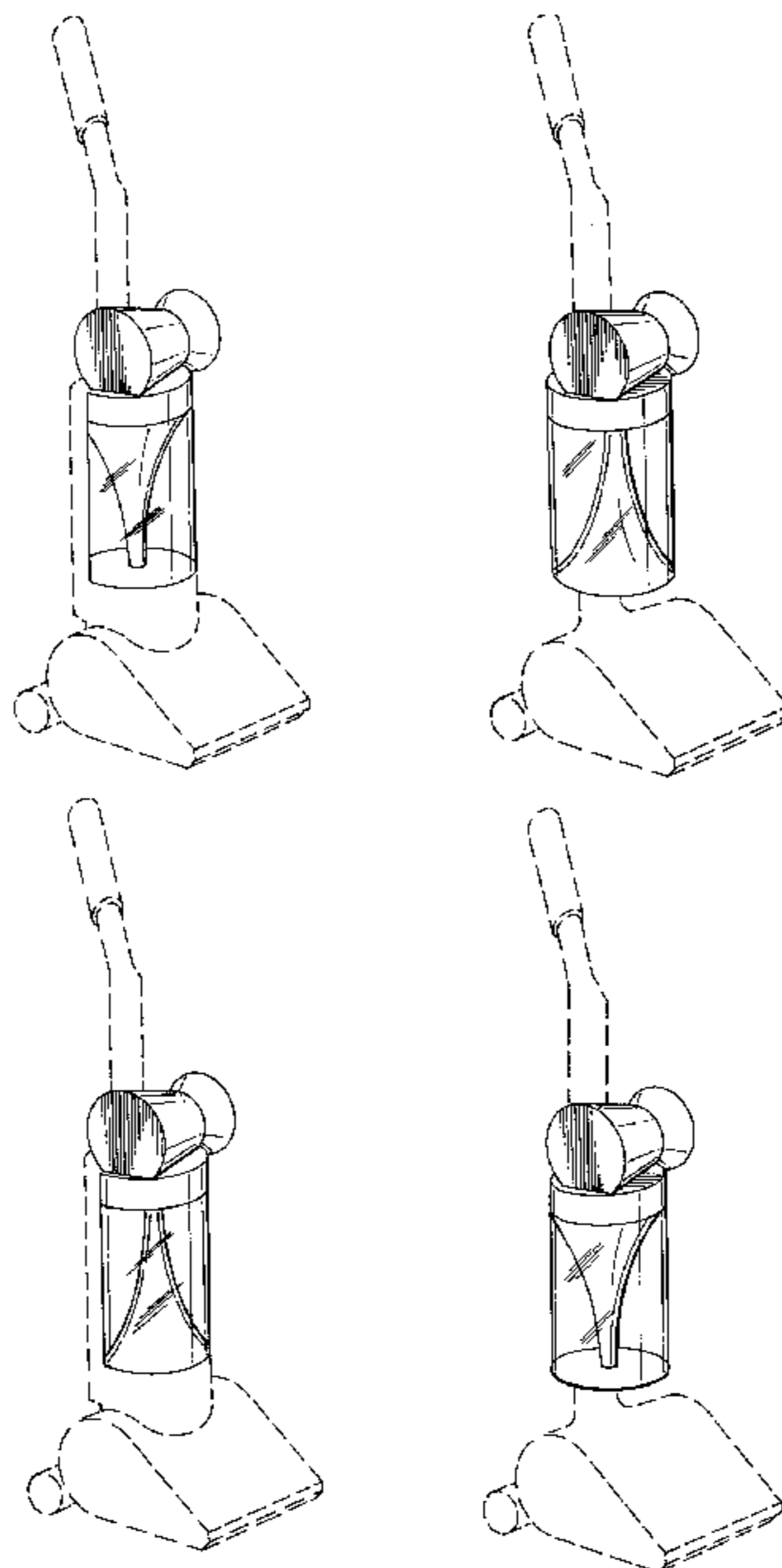
The ornamental design for a chamber for a vacuum cleaner, as shown and described.

### DESCRIPTION

FIG. 1 is a front and side perspective view of a chamber for a vacuum cleaner showing our new design;  
 FIG. 2 is a top plan view thereof;  
 FIG. 3 is a right side elevational view thereof;  
 FIG. 4 is a left side elevational view thereof;  
 FIG. 5 is a front elevational view thereof;  
 FIG. 6 is a front and side perspective view of second embodiment thereof;  
 FIG. 7 is a top plan view thereof;  
 FIG. 8 is a right side elevational view thereof;  
 FIG. 9 is a left side elevational view thereof;  
 FIG. 10 is a front elevational view thereof;  
 FIG. 11 is a front and side perspective view of third embodiment thereof;  
 FIG. 12 is a top plan view thereof;  
 FIG. 13 is a right side elevational view thereof;  
 FIG. 14 is a left side elevational view thereof;  
 FIG. 15 is a front elevational view thereof;  
 FIG. 16 is a front and side perspective view of fourth embodiment thereof;  
 FIG. 17 is a top plan view thereof;  
 FIG. 18 is a right side elevational view thereof;  
 FIG. 19 is a left side elevational view thereof; and,  
 FIG. 20 is a front elevational view thereof.

The portion of the vacuum cleaner shown in broken lines in all views is for illustrative purposes only and forms no part of the claimed design.

**1 Claim, 8 Drawing Sheets**



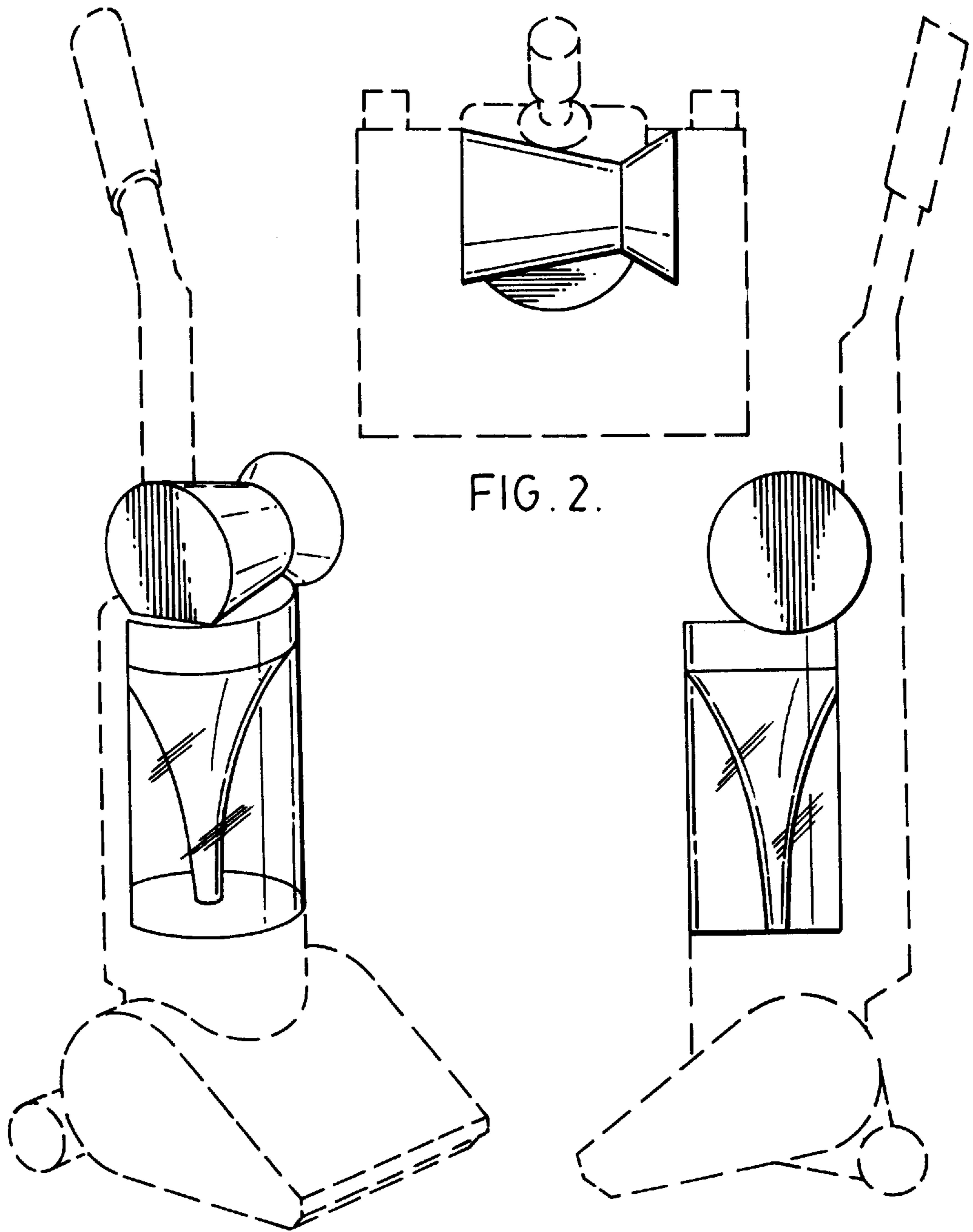


FIG. 2.

FIG. 1.

FIG. 3.

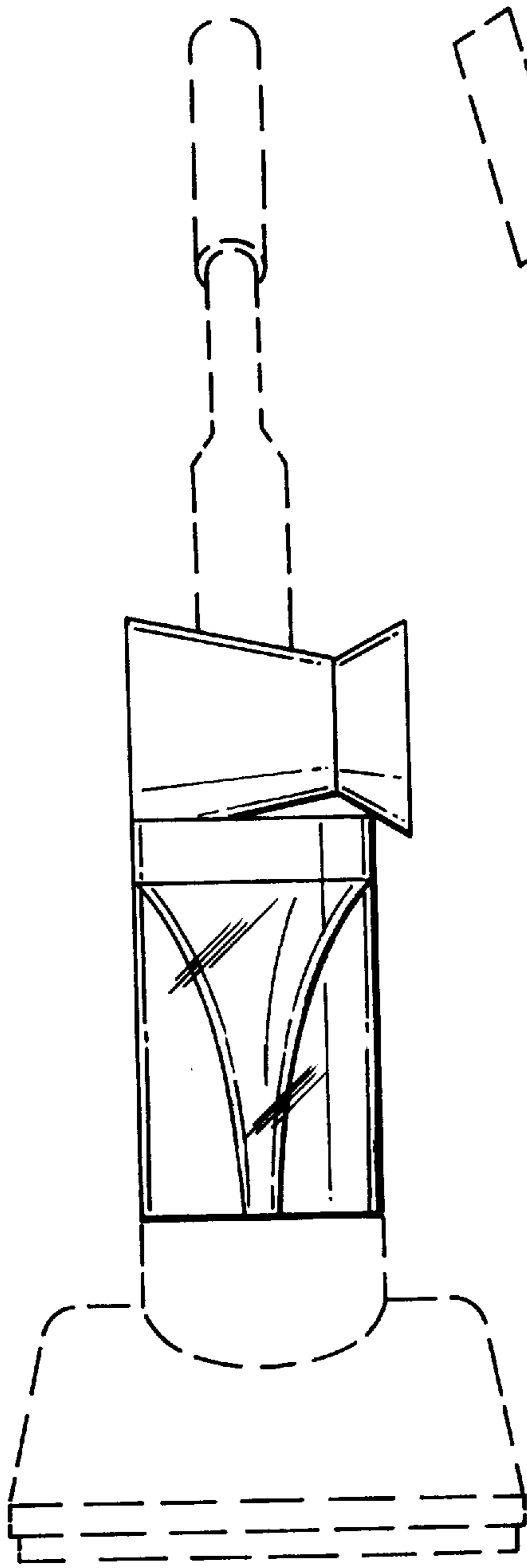


FIG. 5.

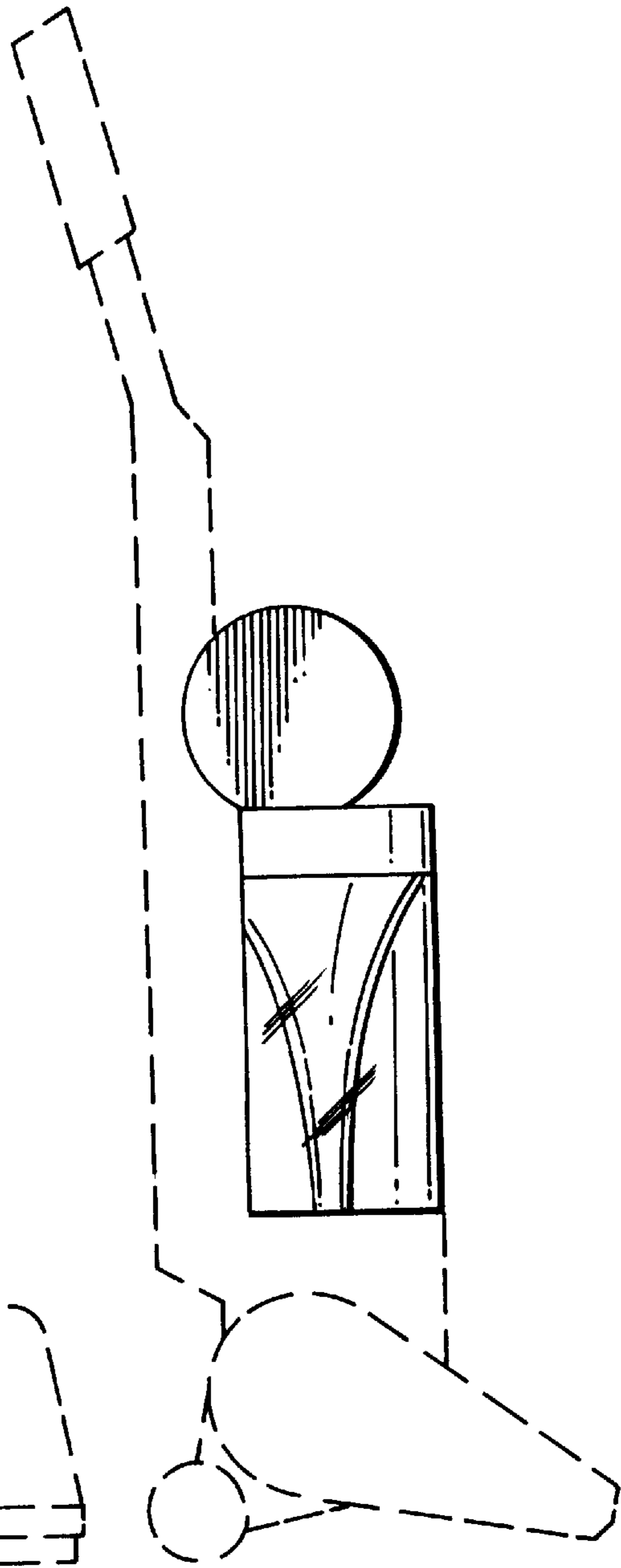


FIG. 4.

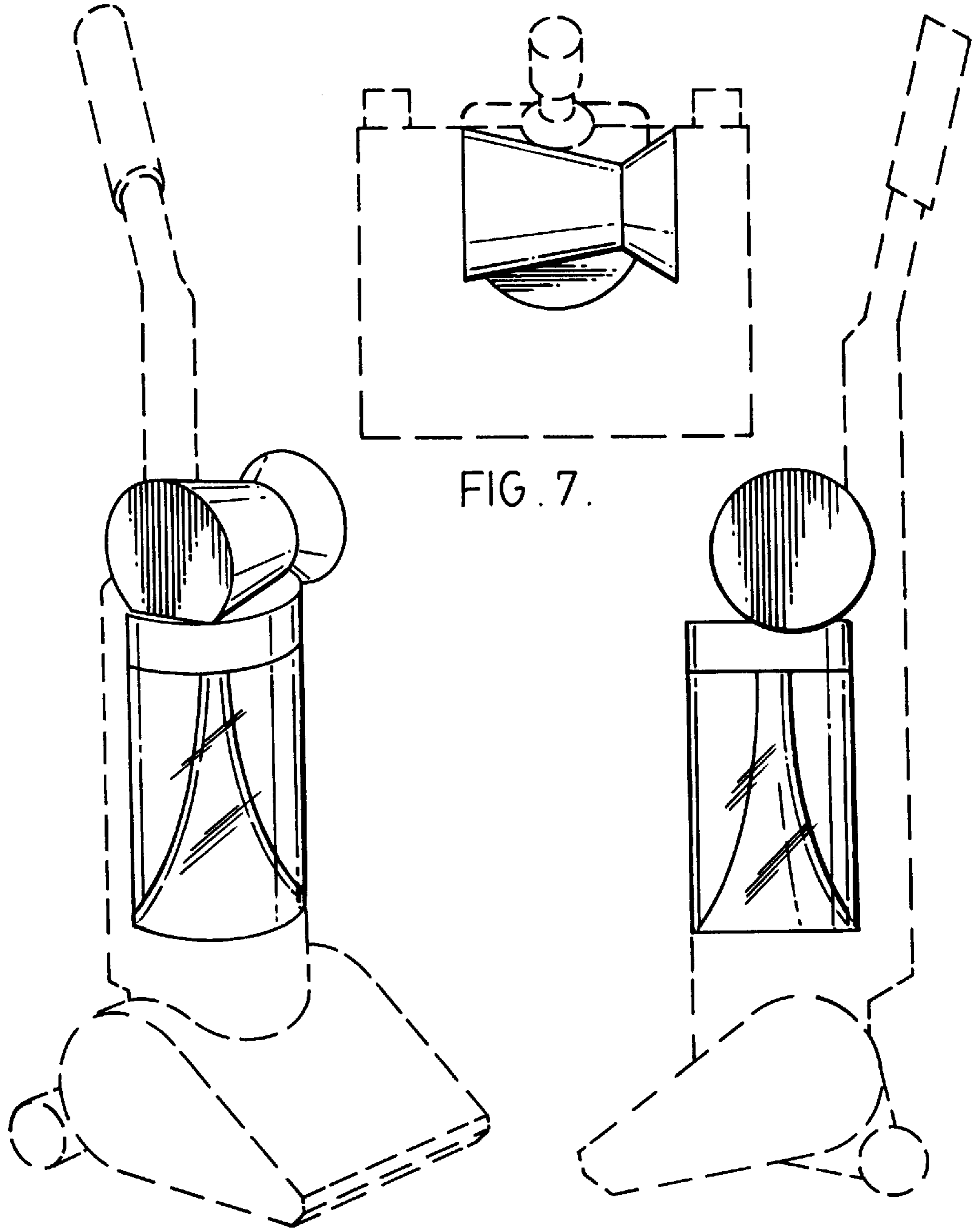


FIG. 6.

FIG. 7.

FIG. 8.

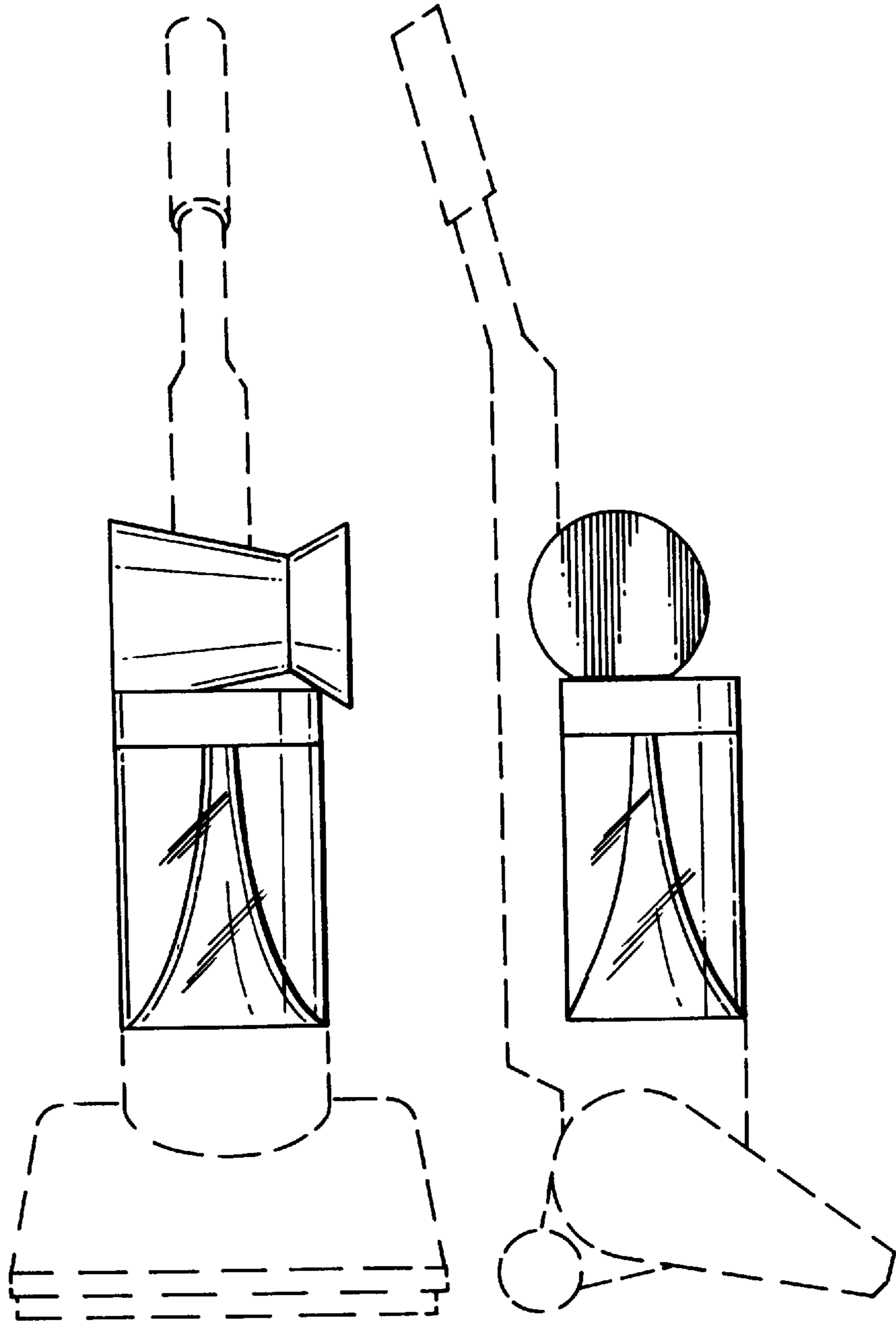


FIG.10.

FIG.9.

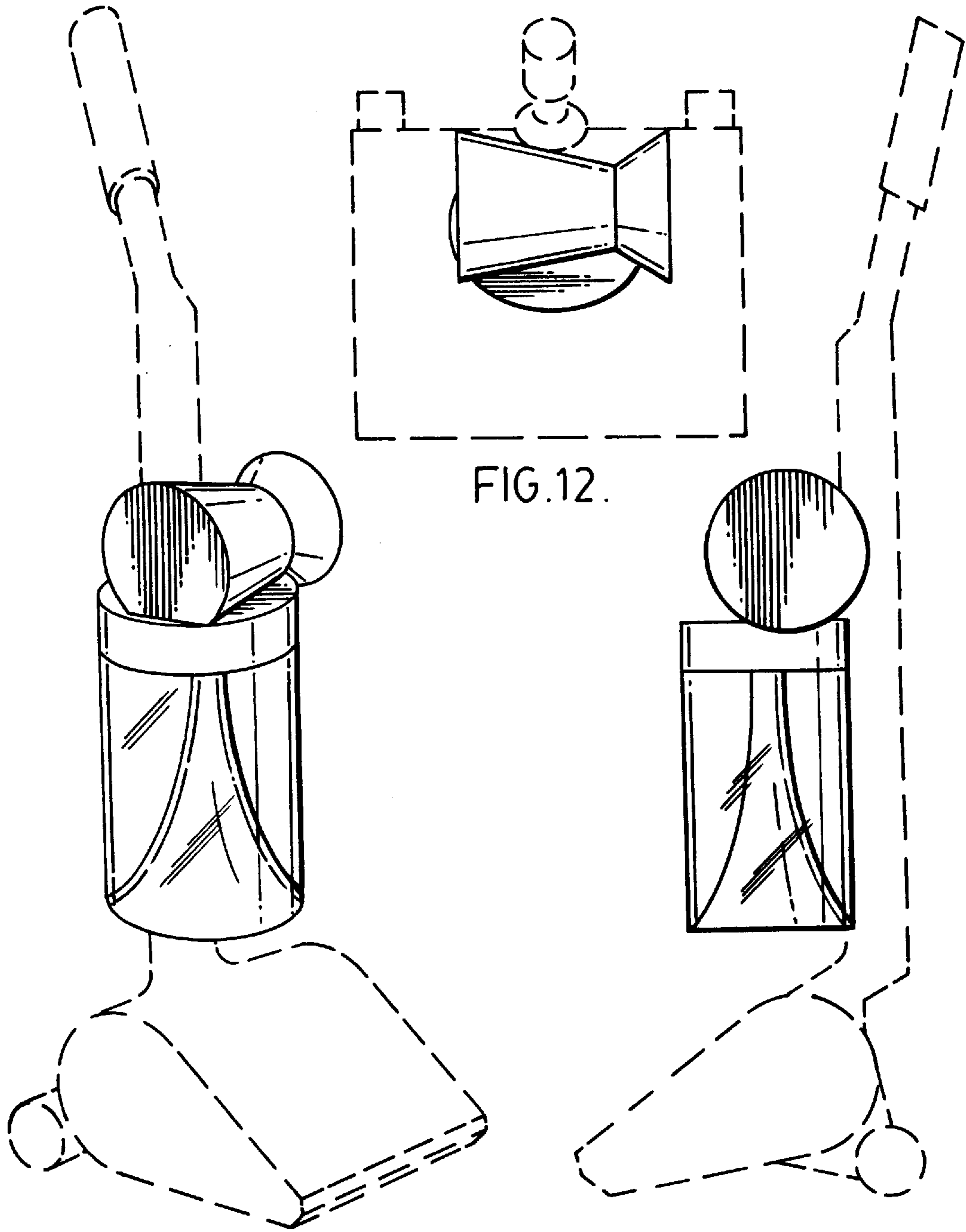


FIG. 11.

FIG. 13.

FIG. 12.

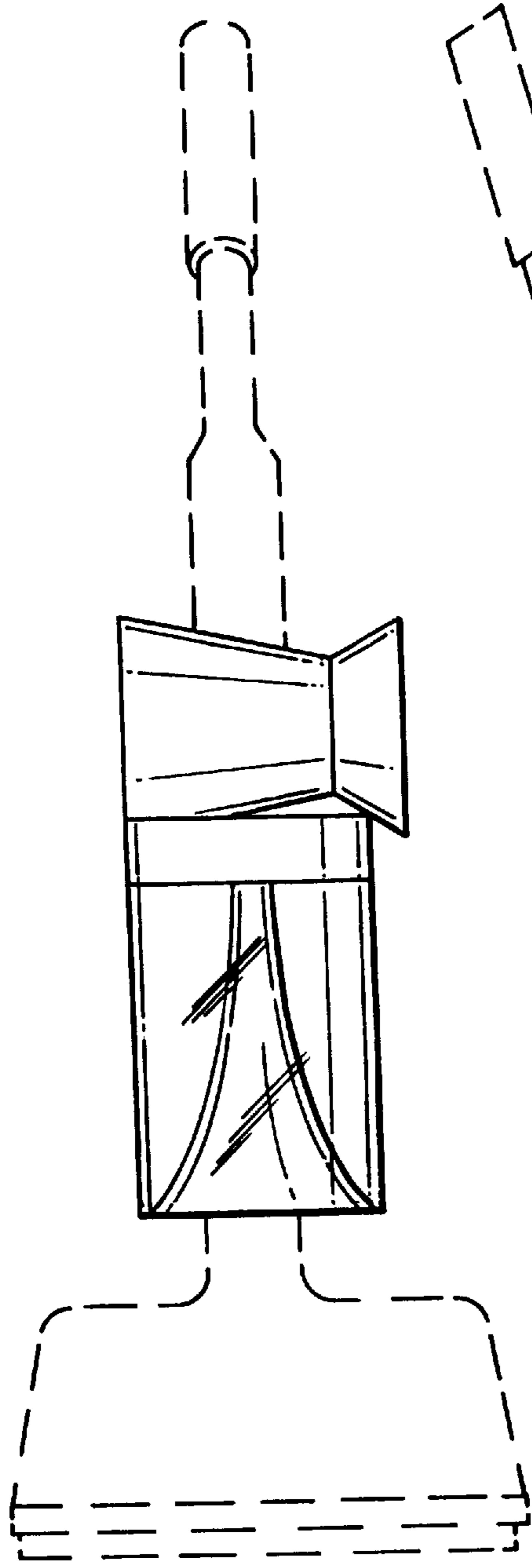


FIG. 15.

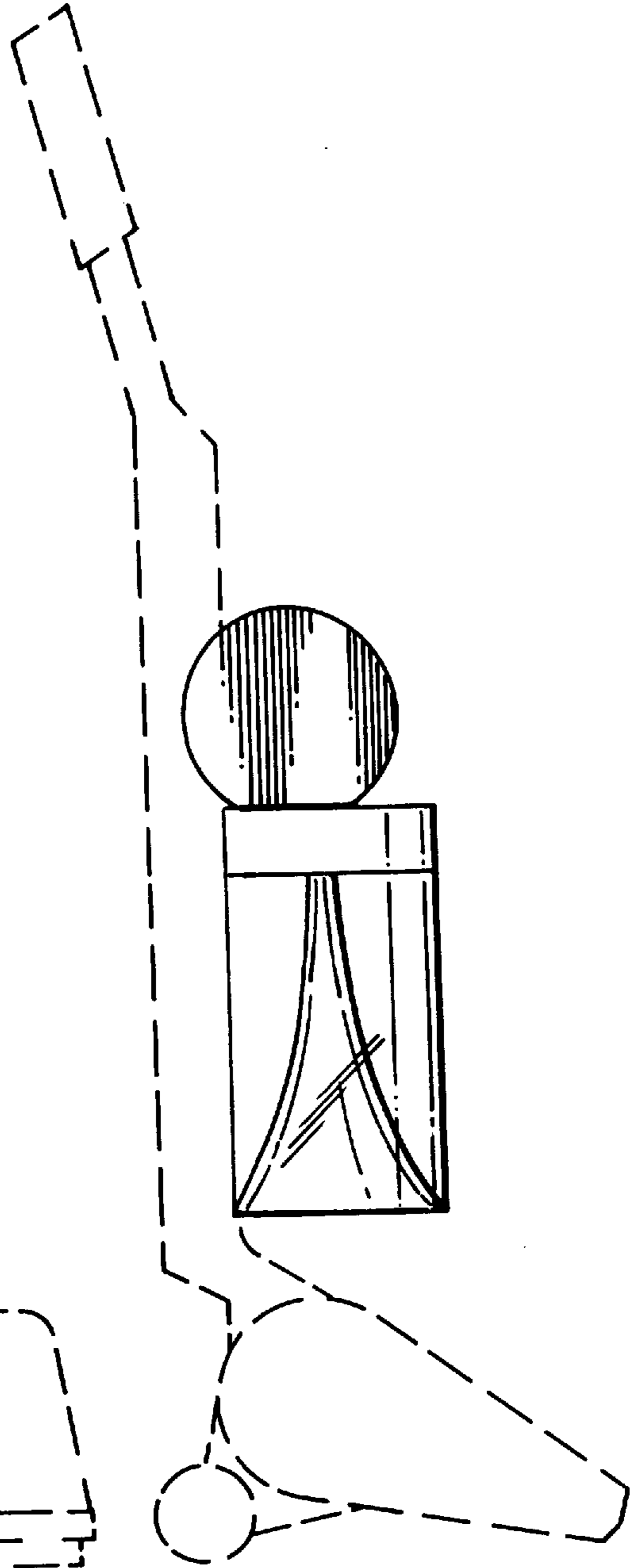


FIG. 14.

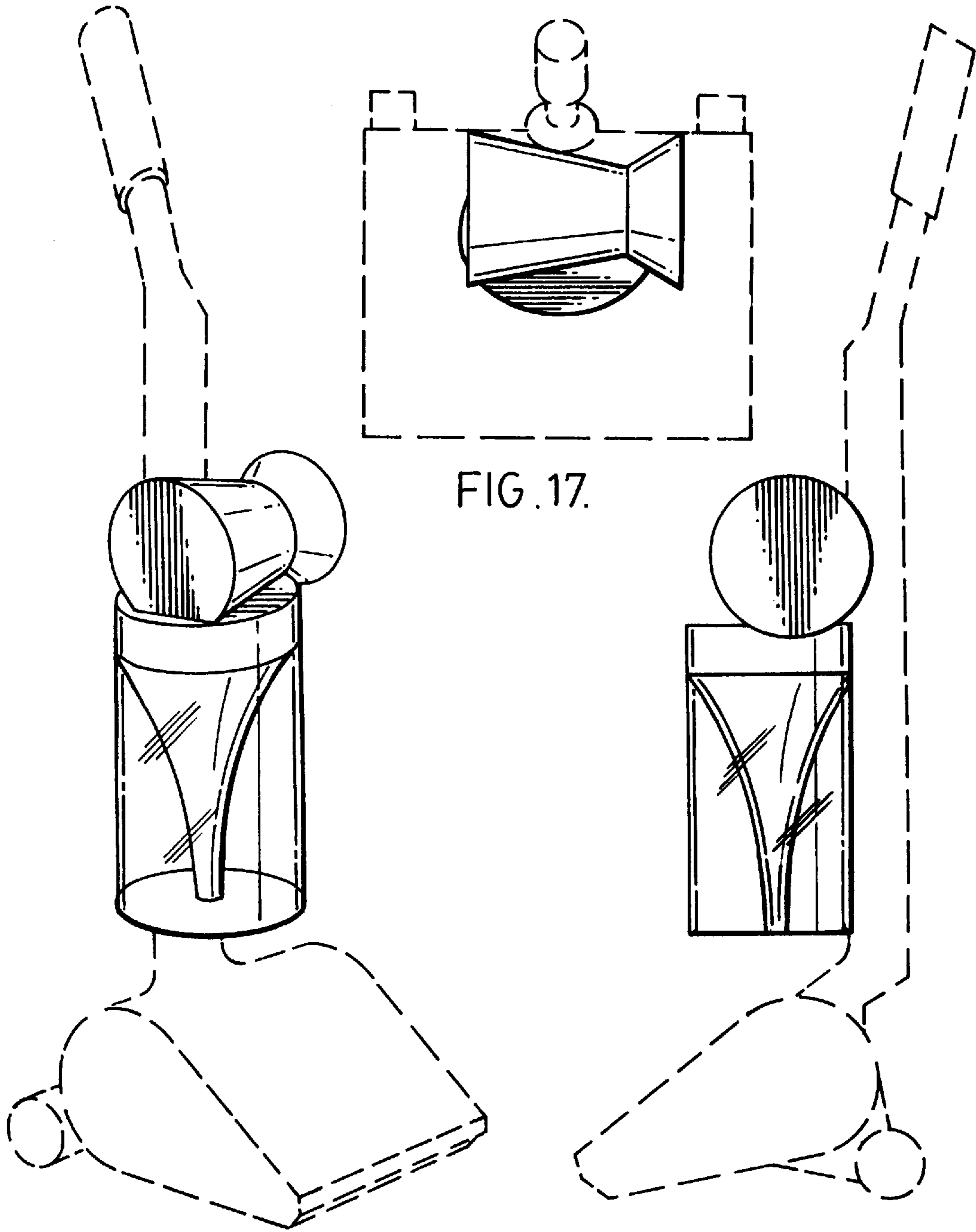


FIG. 17.

FIG. 16.

FIG. 18.



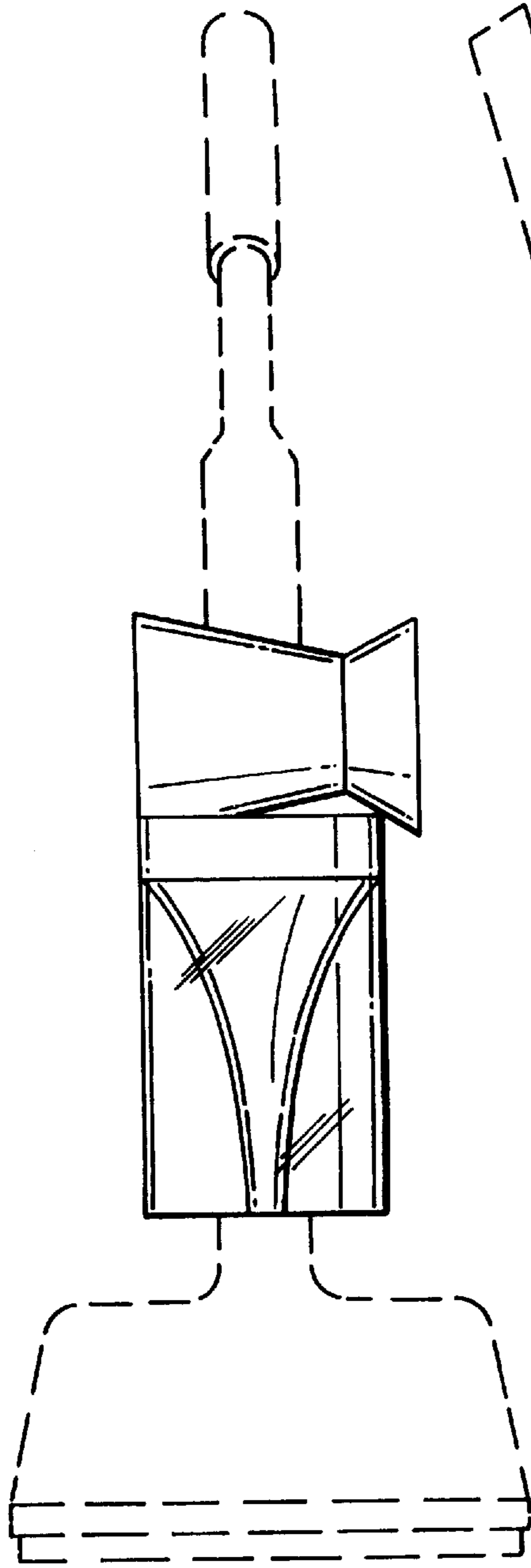


FIG. 20.

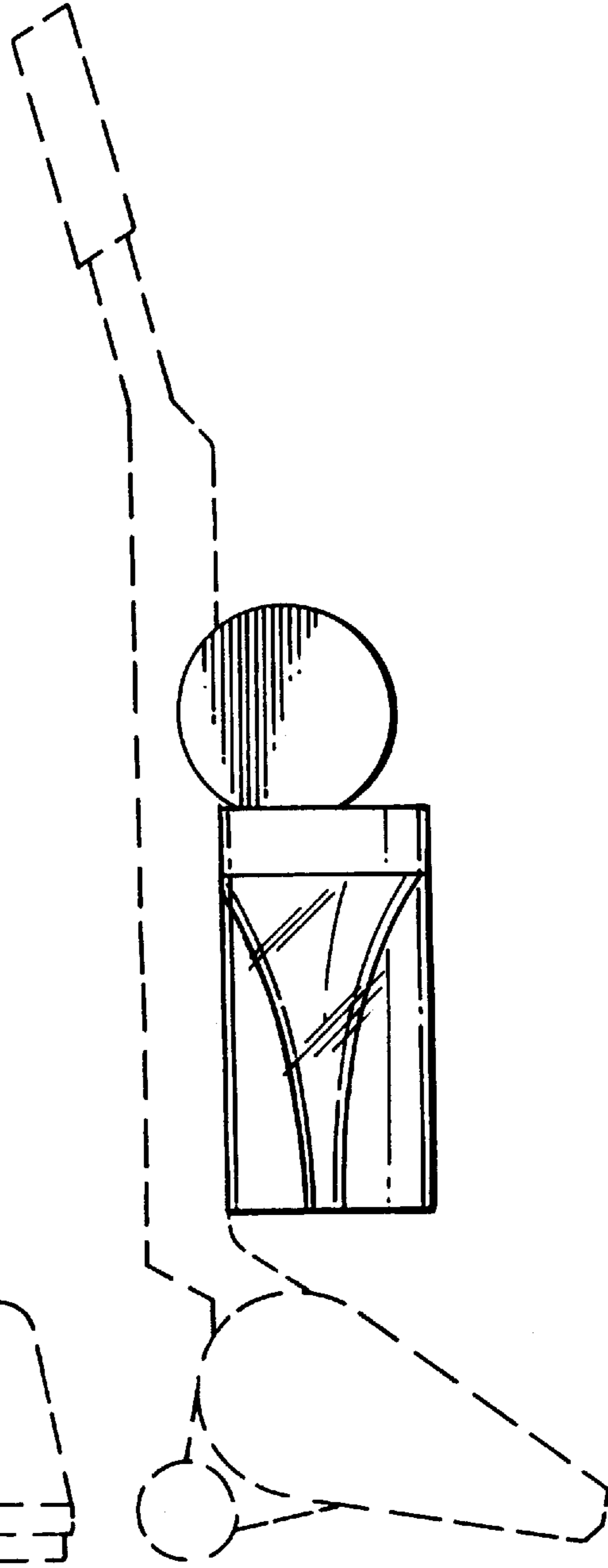


FIG. 19.