



US00D407873S

# United States Patent [19]

Burchard et al.

[11] Patent Number: **Des. 407,873**

[45] Date of Patent: **\*\*Apr. 6, 1999**

[54] **CHAMBER FOR A VACUUM CLEANER**

[75] Inventors: **Thomas H. Burchard**, Winchester;  
**David Malina**, Boston, both of Mass.

[73] Assignee: **Fantom Technologies Inc.**, Welland,  
Canada

[\*\*] Term: **14 Years**

[21] Appl. No.: **80,000**

[22] Filed: **Nov. 28, 1997**

[51] **LOC (6) Cl.** ..... **15-05**

[52] **U.S. Cl.** ..... **D32/31**

[58] **Field of Search** ..... D32/21-22, 31-34;  
15/32-321, 335, 346, 347, 350, 351, 352,  
353, 412; 55/342, 345, 429, 439, 472, 436,  
459.1, DIG. 3, 337

### [56] References Cited

#### U.S. PATENT DOCUMENTS

D. 305,269	12/1989	Dyson .	
D. 309,203	7/1990	Goodrich .....	D32/22
D. 343,707	1/1994	Dyson .	
D. 365,669	12/1995	Piccaluga et al. ....	D32/22
D. 375,820	11/1996	Piccaluga et al. ....	D32/22
4,373,228	2/1983	Dyson .	
4,571,772	2/1986	Dyson .	
4,593,429	6/1986	Dyson .	
5,078,761	1/1992	Dyson .	
5,101,532	4/1992	Dyson et al. ....	15/320
5,145,499	9/1992	Dyson .....	55/337
5,254,147	10/1993	Finke .....	55/37
5,267,371	12/1993	Soler et al. ....	15/327.5
5,558,697	9/1996	Dyson et al. .	
5,743,925	4/1996	Bench .....	55/274

#### FOREIGN PATENT DOCUMENTS

54488 7/1984 Canada .

Primary Examiner—Ruth McInroy

Attorney, Agent, or Firm—Philip Mendes da Costa;  
Bereskin & Parr

### [57] CLAIM

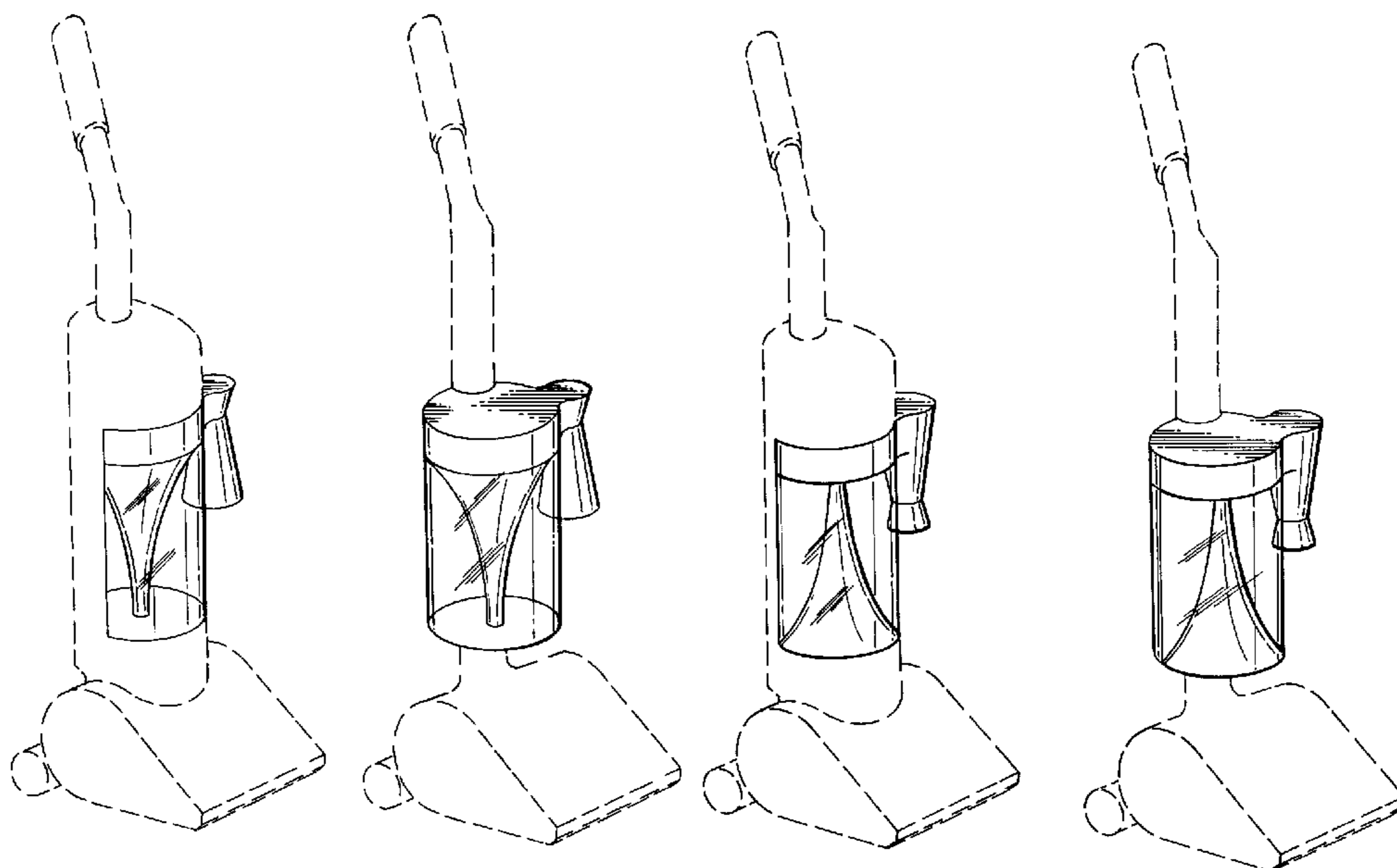
The ornamental design for a chamber for a vacuum cleaner, as shown and described.

### DESCRIPTION

FIG. 1 is a front and side perspective view of a chamber for a vacuum cleaner showing our new design;  
 FIG. 2 is a top plan view thereof;  
 FIG. 3 is a right side elevational view thereof;  
 FIG. 3 is a right side elevational view thereof;  
 FIG. 4 is a left side elevational view thereof;  
 FIG. 5 is a front elevational view thereof;  
 FIG. 6 is a front and side perspective view of second embodiment thereof;  
 FIG. 6 is a front and side perspective view of second embodiment thereof;  
 FIG. 7 is a top plan view thereof;  
 FIG. 8 is a right side elevational view thereof;  
 FIG. 9 is a left side elevational view thereof;  
 FIG. 10 is a front elevational view thereof;  
 FIG. 11 is a front and side perspective view of third embodiment thereof;  
 FIG. 12 is a top plan view thereof;  
 FIG. 13 is a right side elevational view thereof;  
 FIG. 14 is a left side elevational view thereof;  
 FIG. 15 is a front elevational view thereof;  
 FIG. 16 is a front and side perspective view of fourth embodiment thereof;  
 FIG. 17 is a top plan view thereof;  
 FIG. 18 is a right side elevational view thereof;  
 FIG. 19 is a left side elevational view thereof; and,  
 FIG. 20 is a front elevational view thereof.

The portion of the vacuum cleaner shown in broken lines in all views is for illustrative purposes only and forms no part of the claimed design.

1 Claim, 8 Drawing Sheets



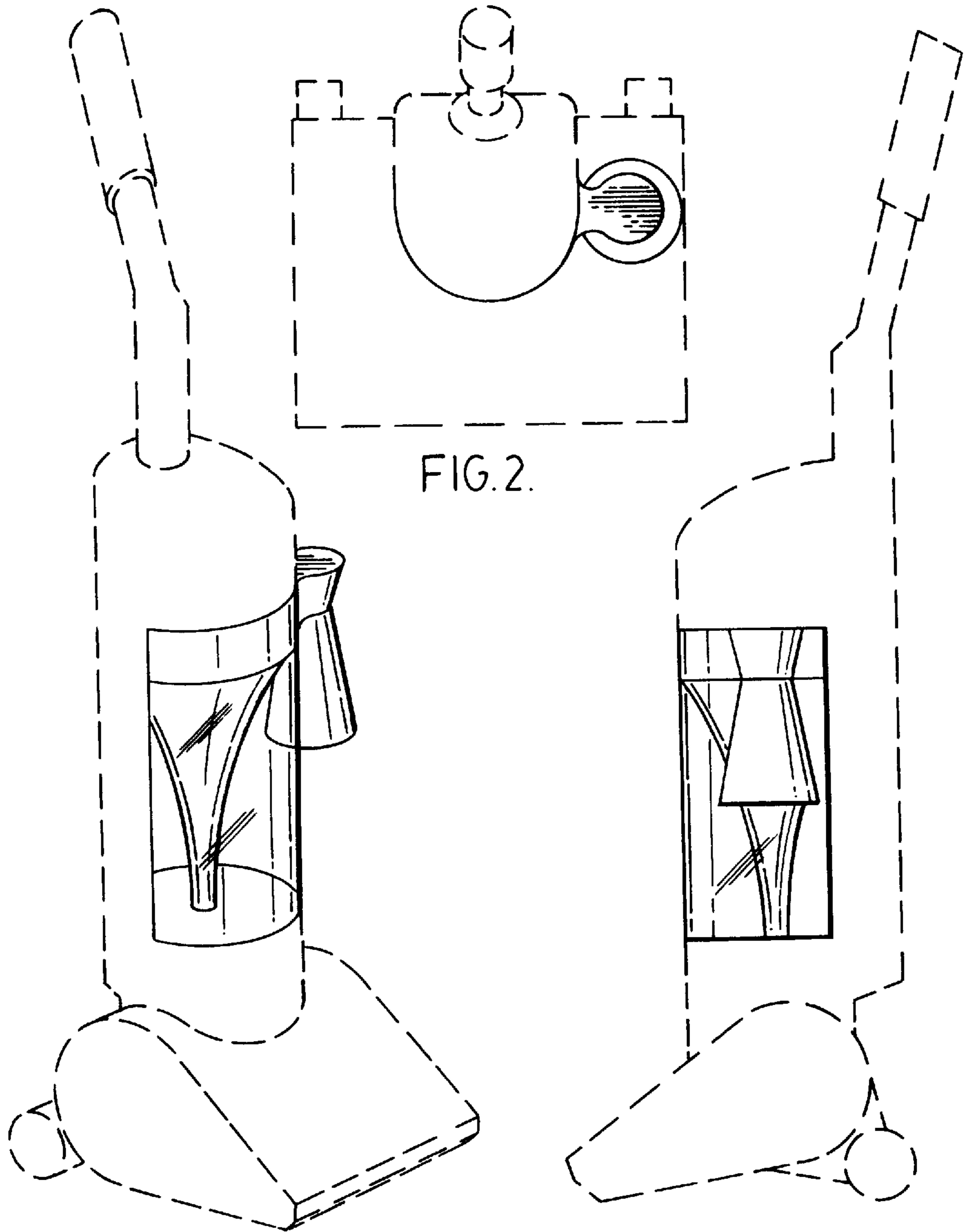


FIG. 2.

FIG. 1.

FIG. 3.

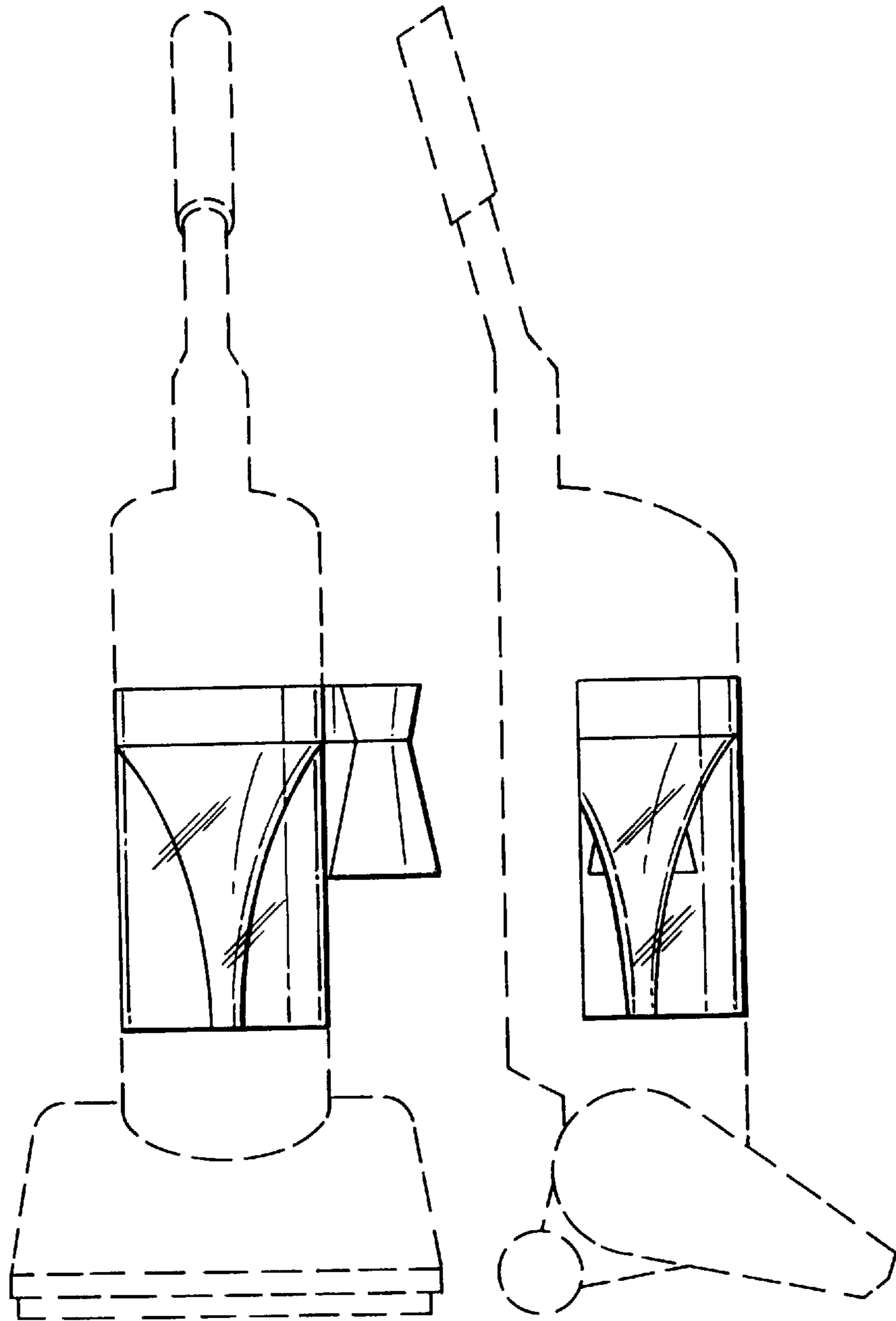


FIG.5.

FIG.4.

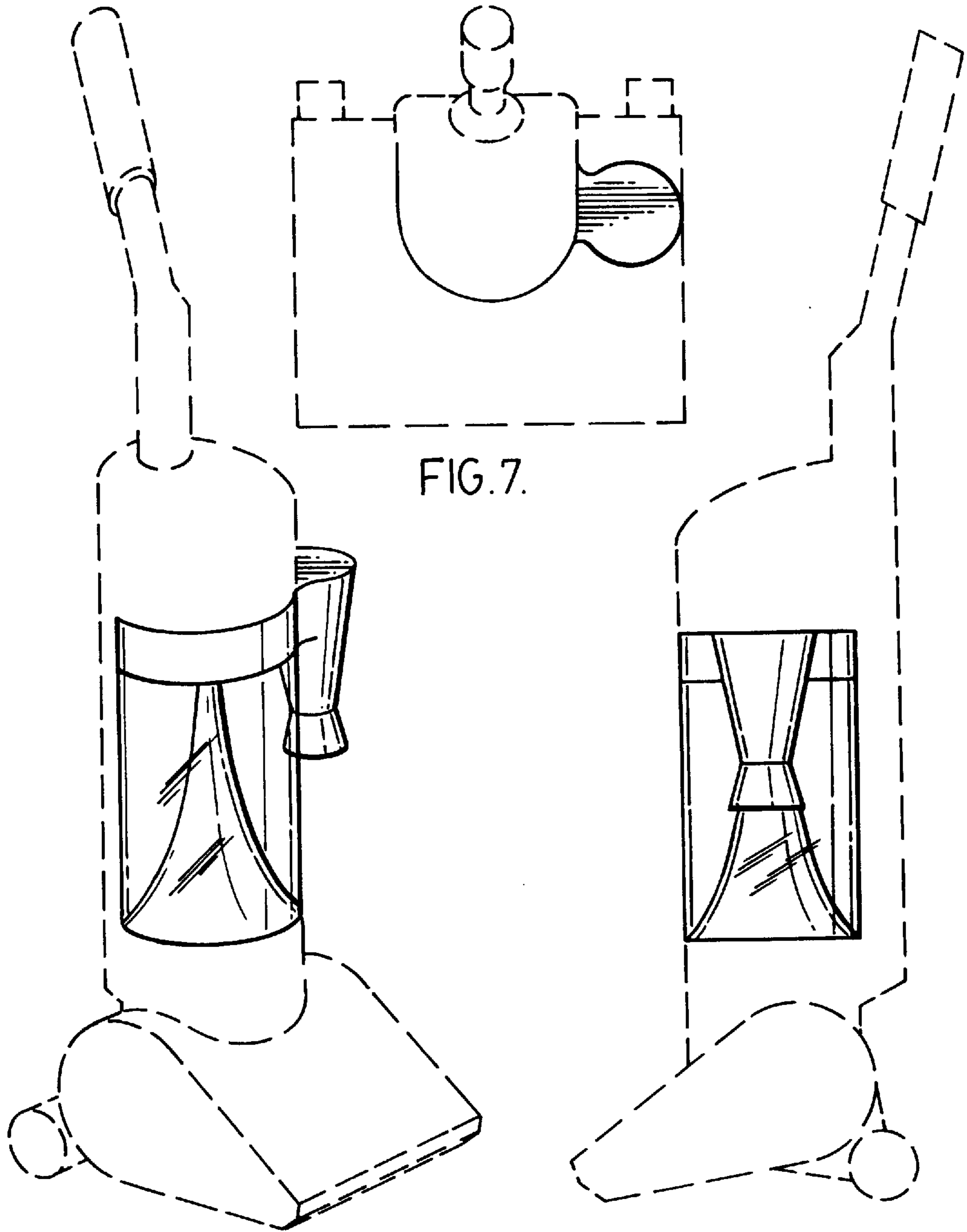


FIG. 7.

FIG. 6.

FIG. 8.

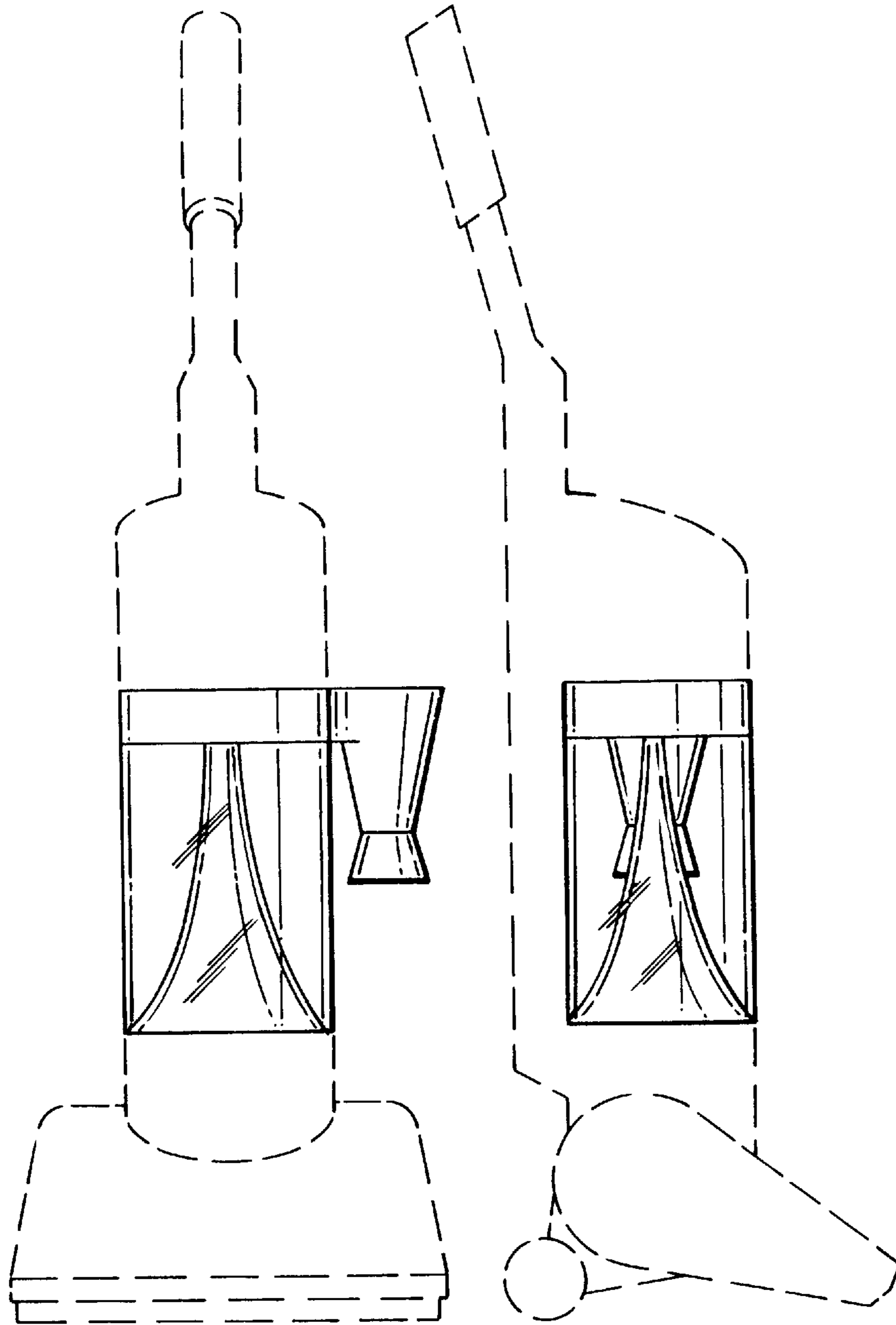


FIG. 10.

FIG. 9.

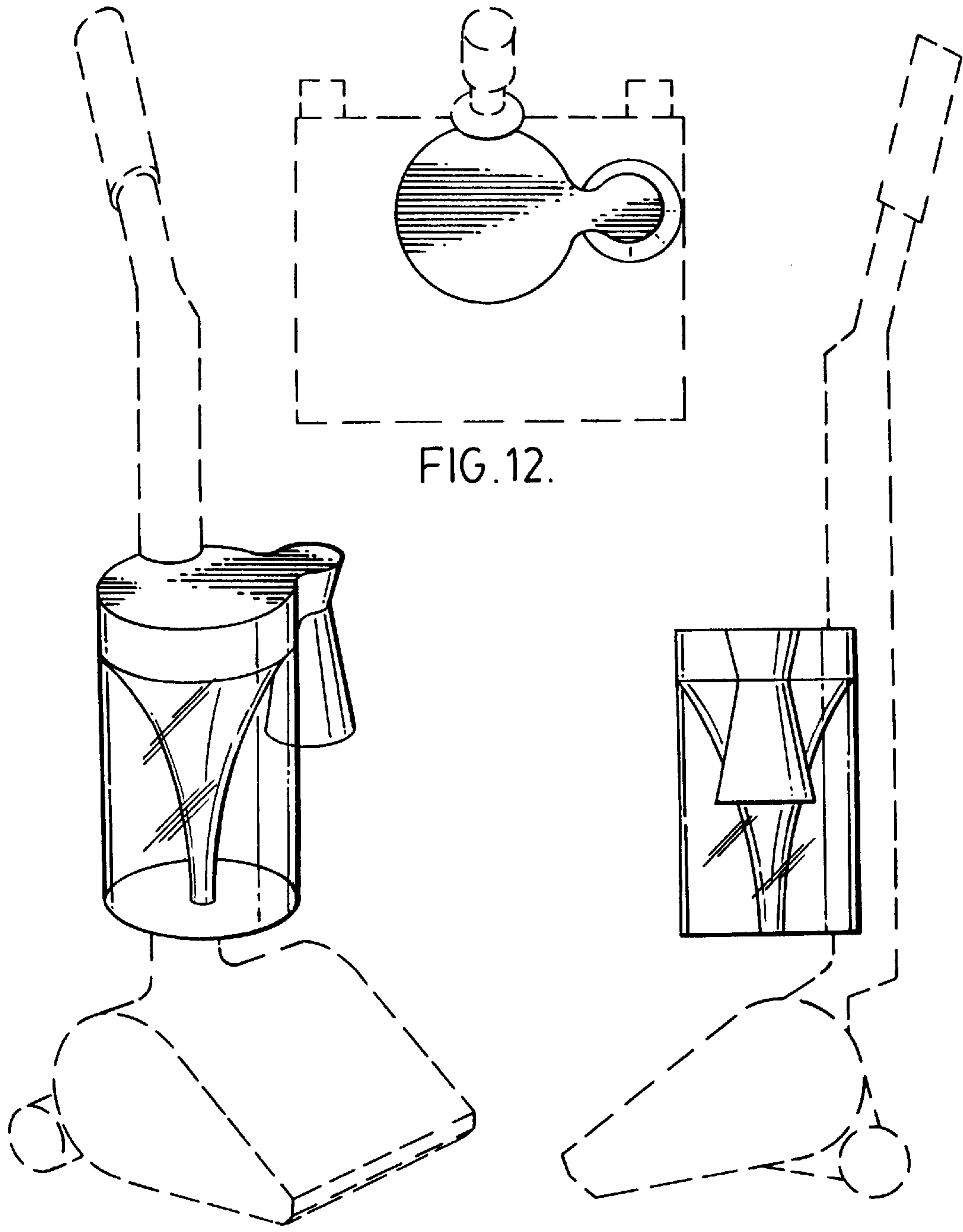


FIG.12.

FIG.11.

FIG.13.

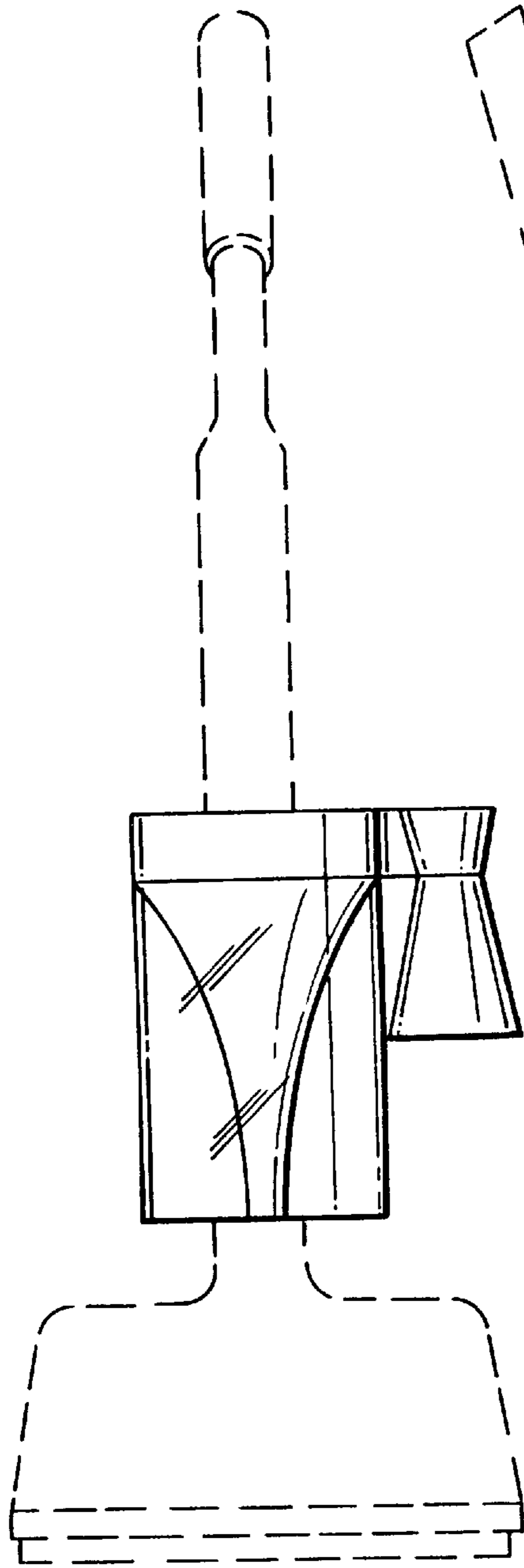


FIG. 15.

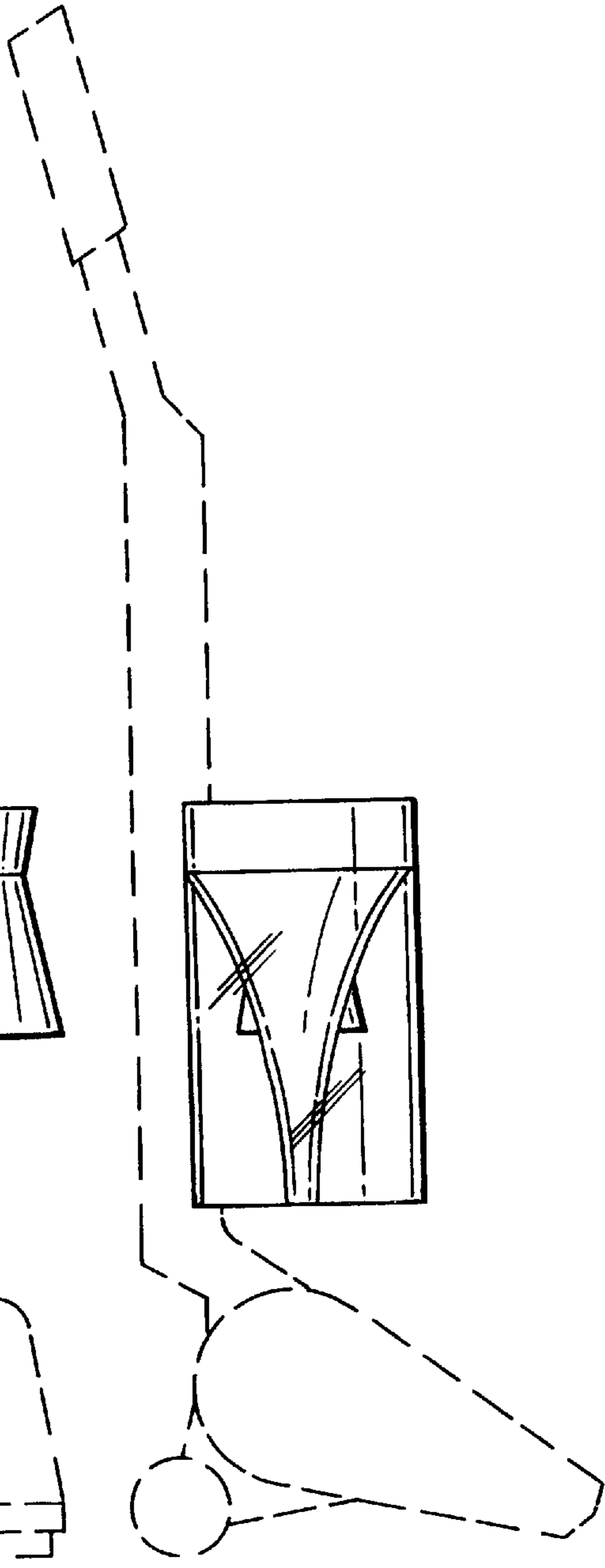
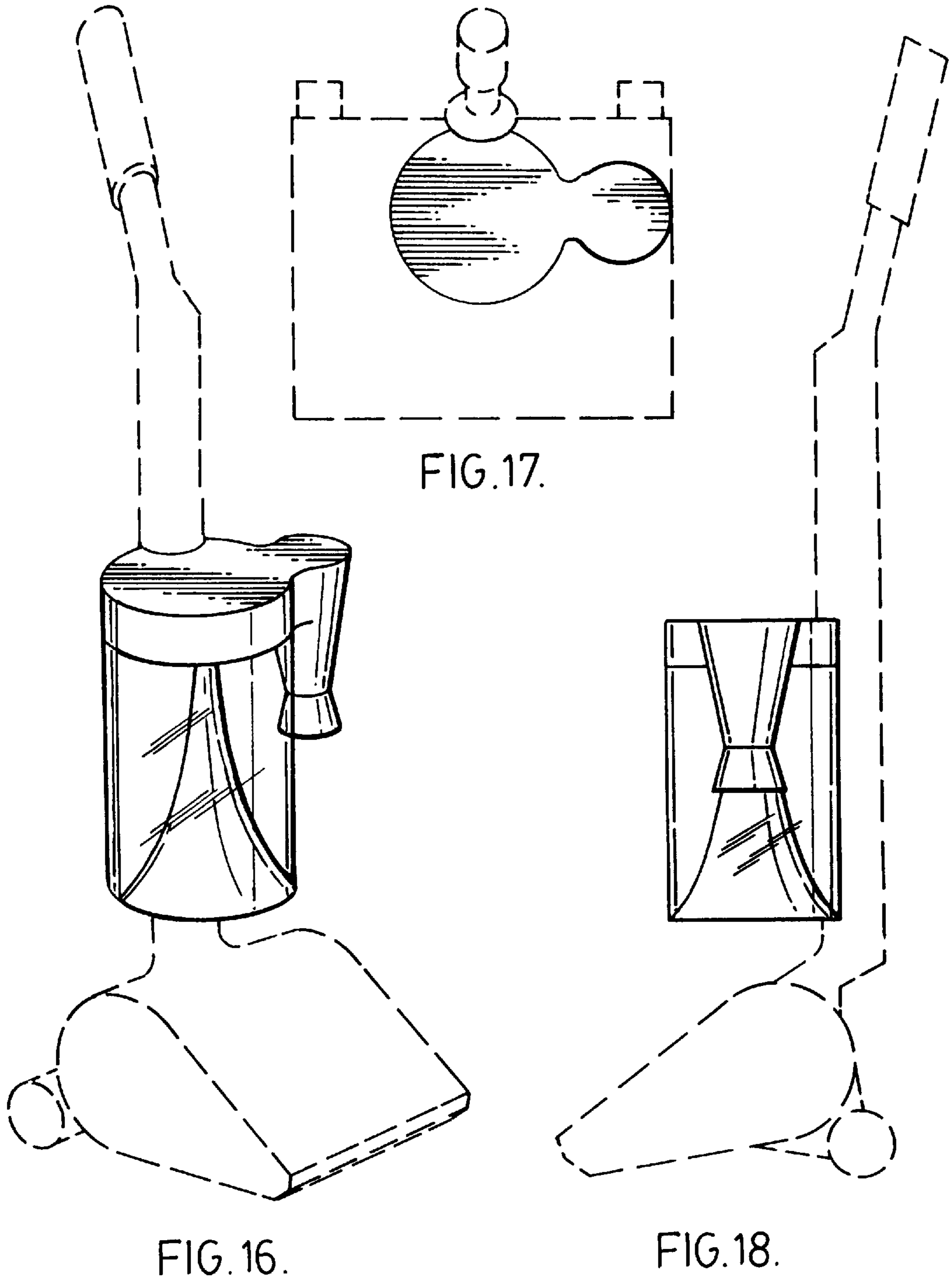


FIG. 14.





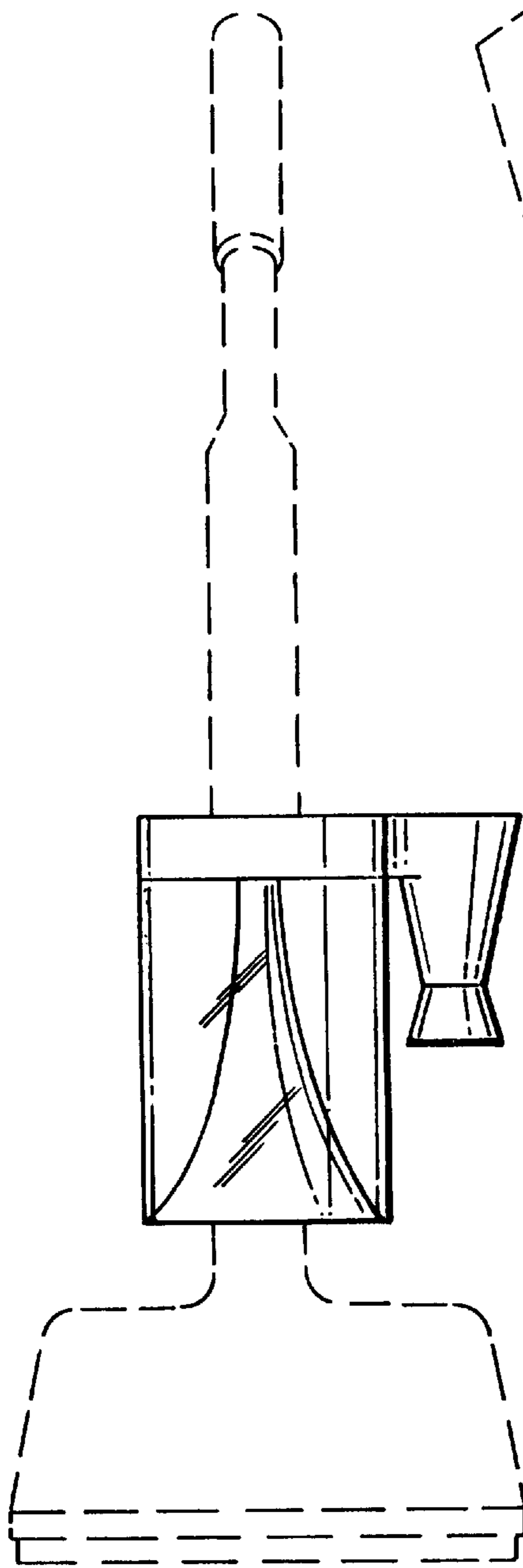


FIG. 20

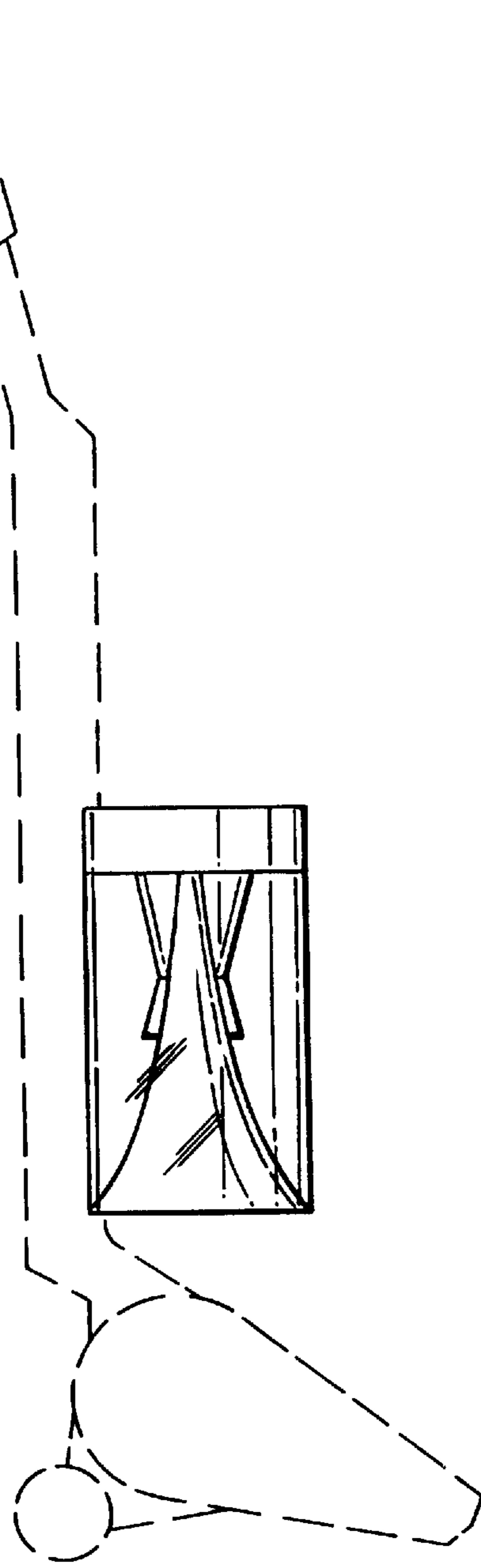


FIG. 19.