



US00D407872S

# United States Patent [19]

[11] **Patent Number: Des. 407,872**

**Wareham et al.**

[45] **Date of Patent: \*\*Apr. 6, 1999**

[54] **MEDIAL FRONT PORTION OF A SUCTION NOZZLE**

D. 356,880 3/1995 Kieft ..... D32/31  
D. 358,242 5/1995 McKnight ..... D32/32  
D. 358,913 5/1995 Sugiyama et al. .... D32/22

[75] Inventors: **Richard A. Wareham; David W. Moine**, both of North Canton, Ohio

### FOREIGN PATENT DOCUMENTS

72101 1/1993 Canada .

[73] Assignee: **The Hoover Company**, North Canton, Ohio

### OTHER PUBLICATIONS

[\*\*] Term: **14 Years**

Photo Goblin Laser 3000i Upright.

[21] Appl. No.: **68,962**

*Primary Examiner*—Ruth McInroy  
*Attorney, Agent, or Firm*—A. Burgess Lowe; Richardson B. Farley

[22] Filed: **Apr. 16, 1997**

[51] **LOC (6) Cl.** ..... **15-05**

[52] **U.S. Cl.** ..... **D32/31**

[58] **Field of Search** ..... D32/31, 32, 33–34;  
15/415.1–422.1, 410, 412, 414, 322

### [57] CLAIM

The ornamental design for a medial front portion of a suction nozzle, as shown and described.

### [56] References Cited

### DESCRIPTION

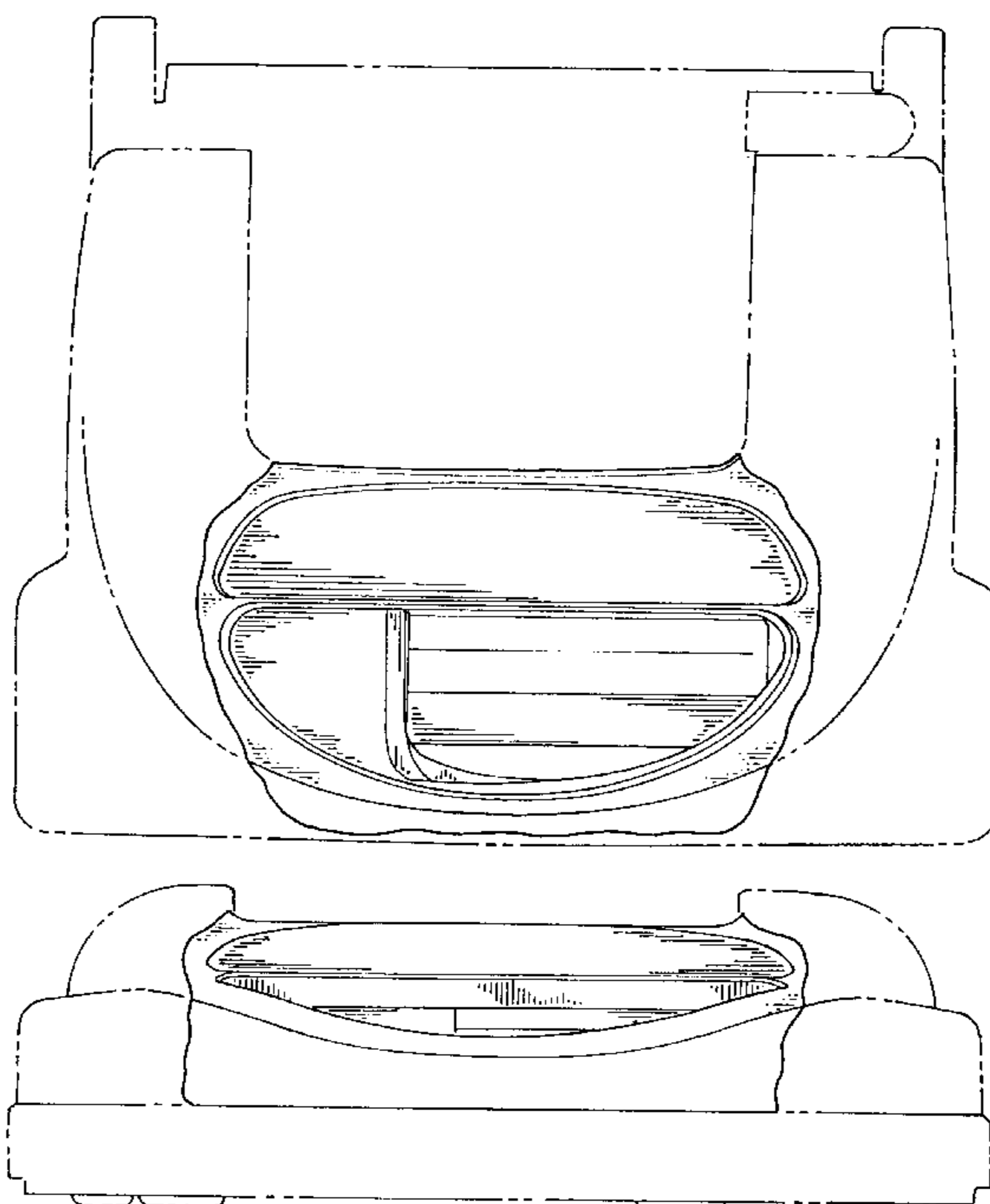
#### U.S. PATENT DOCUMENTS

- D. 98,024 11/1935 White .
- D. 112,236 8/1938 Park .
- D. 127,288 1/1941 Walker .
- D. 133,712 8/1942 Kruck .
- D. 142,433 2/1945 Walker .
- D. 146,124 12/1946 Walker ..... D9/2
- D. 198,435 6/1964 Gantz ..... D32/22
- D. 249,349 9/1978 Wareham ..... D32/32
- D. 262,539 1/1982 Wareham ..... D32/22
- D. 263,235 3/1982 Akita ..... D32/22
- D. 309,807 8/1990 Sovis et al. .... D32/22
- D. 310,438 9/1990 Burns ..... D32/22
- D. 326,006 5/1992 Moine ..... D32/32
- D. 329,513 9/1992 Kieft et al. .... D32/22
- D. 333,892 3/1993 Wareham ..... D32/32
- D. 338,990 8/1993 McKnight ..... D32/32
- D. 346,052 4/1994 Saunders et al. .... D32/22
- D. 347,500 5/1994 Abe et al. .... D32/22

FIG. 1 is a top plan view of a medial front portion of a suction nozzle showing our new design;  
FIG. 2 is a front elevational view thereof;  
FIG. 3 is an enlarged top plan view thereof;  
FIG. 4 is a cross-sectional view thereof taken along lines 4—4 in FIG. 3;  
FIG. 5 is a cross-sectional view thereof taken along lines 5—5 in FIG. 3;  
FIG. 6 is a cross-sectional view thereof taken along lines 6—6 in FIG. 3;  
FIG. 7 is a cross-sectional view thereof taken along lines 7—7 in FIG. 3; and,  
FIG. 8 is a cross-sectional view thereof taken along lines 8—8 in FIG. 3.

The portions shown in broken lines in FIGS. 1 through 8 are shown for illustrative purposes only and form no part of the claimed invention.

**1 Claim, 4 Drawing Sheets**



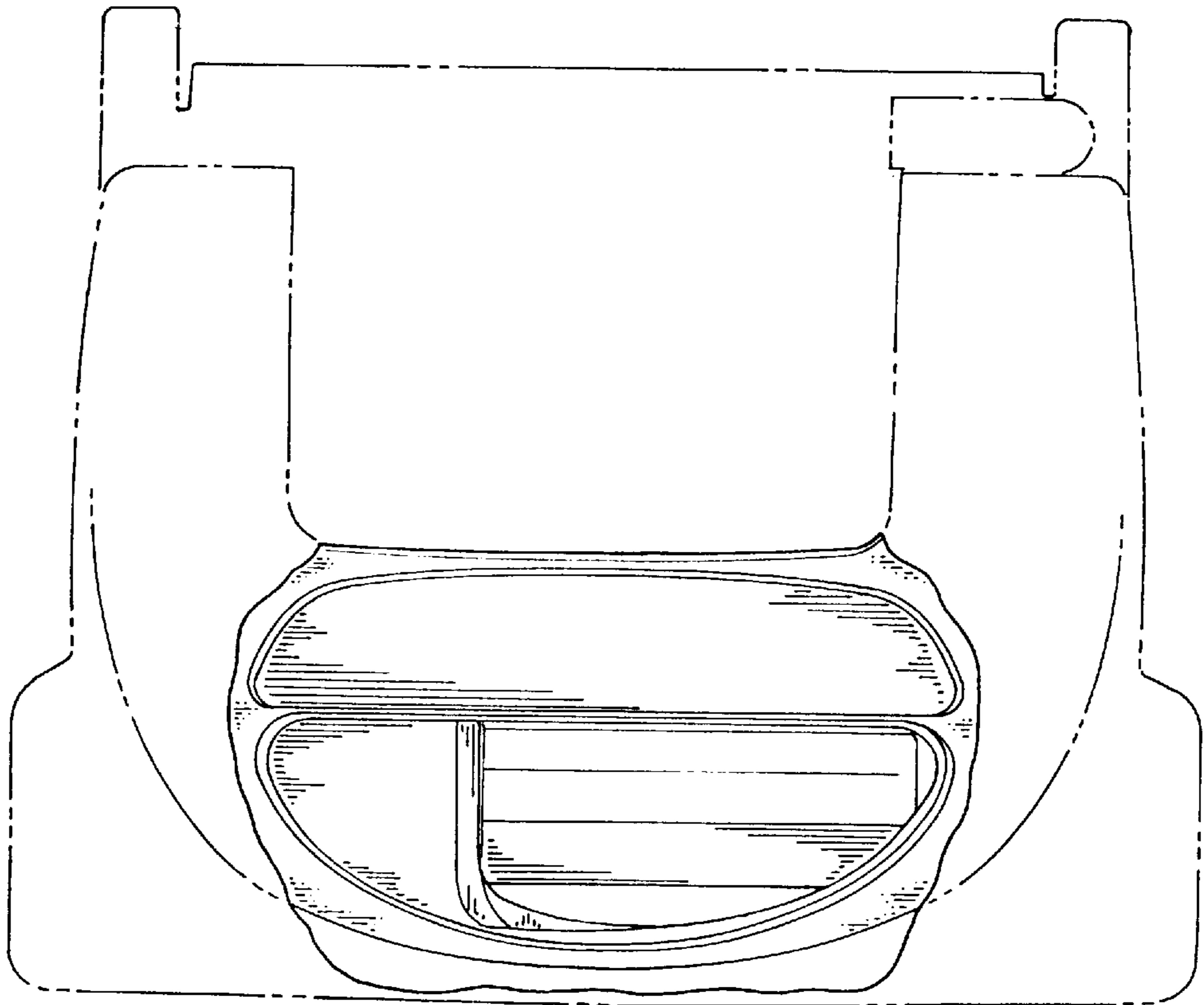


FIG. - 1

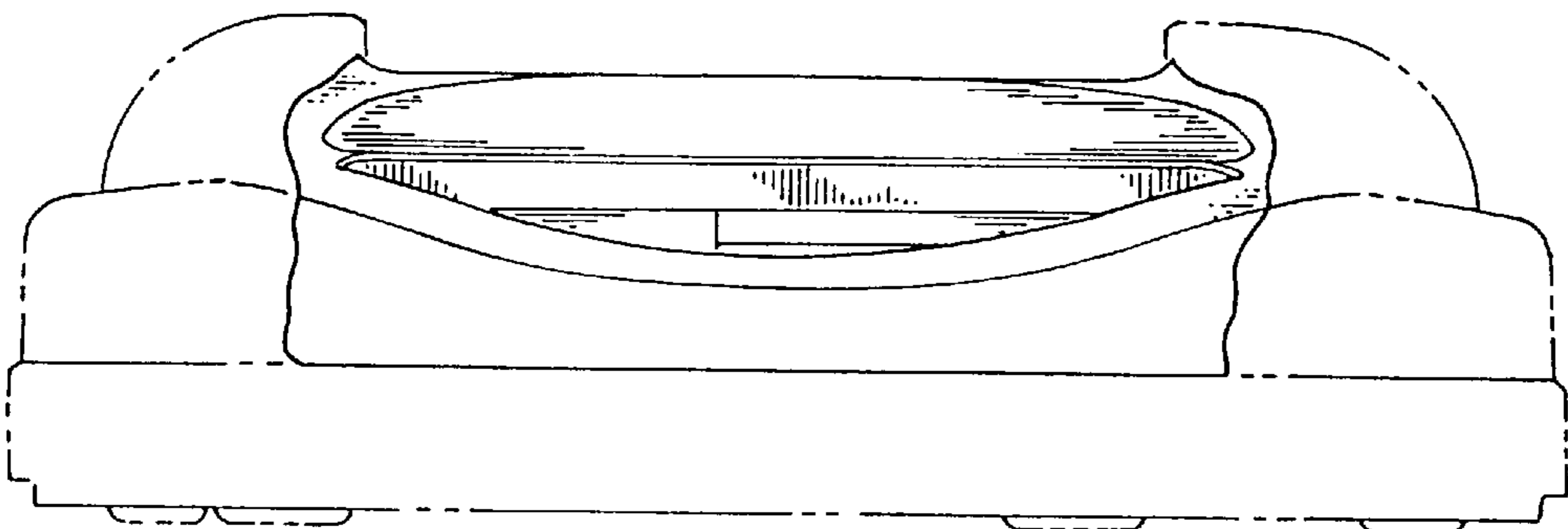


FIG. - 2

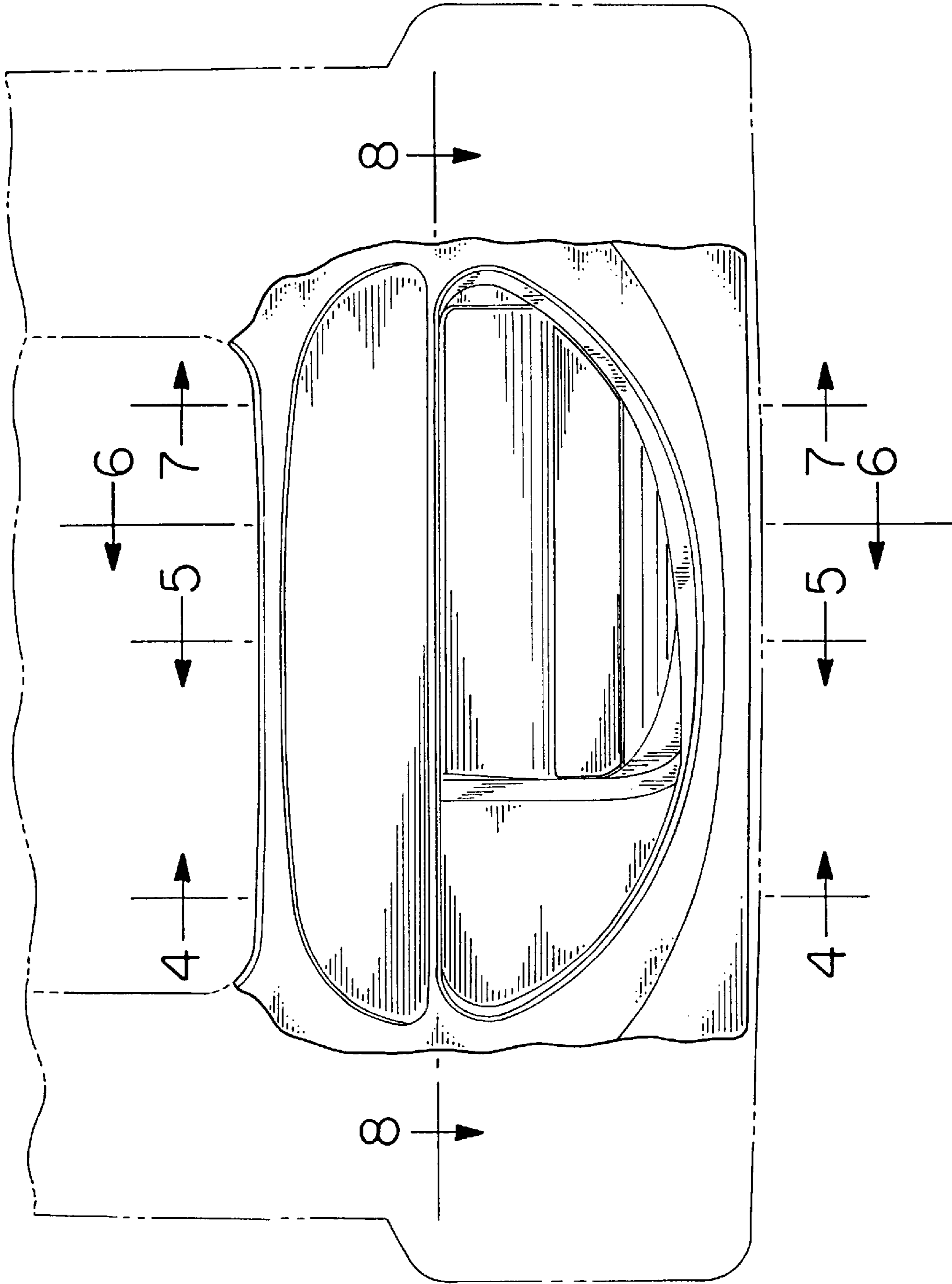


FIG. - 3

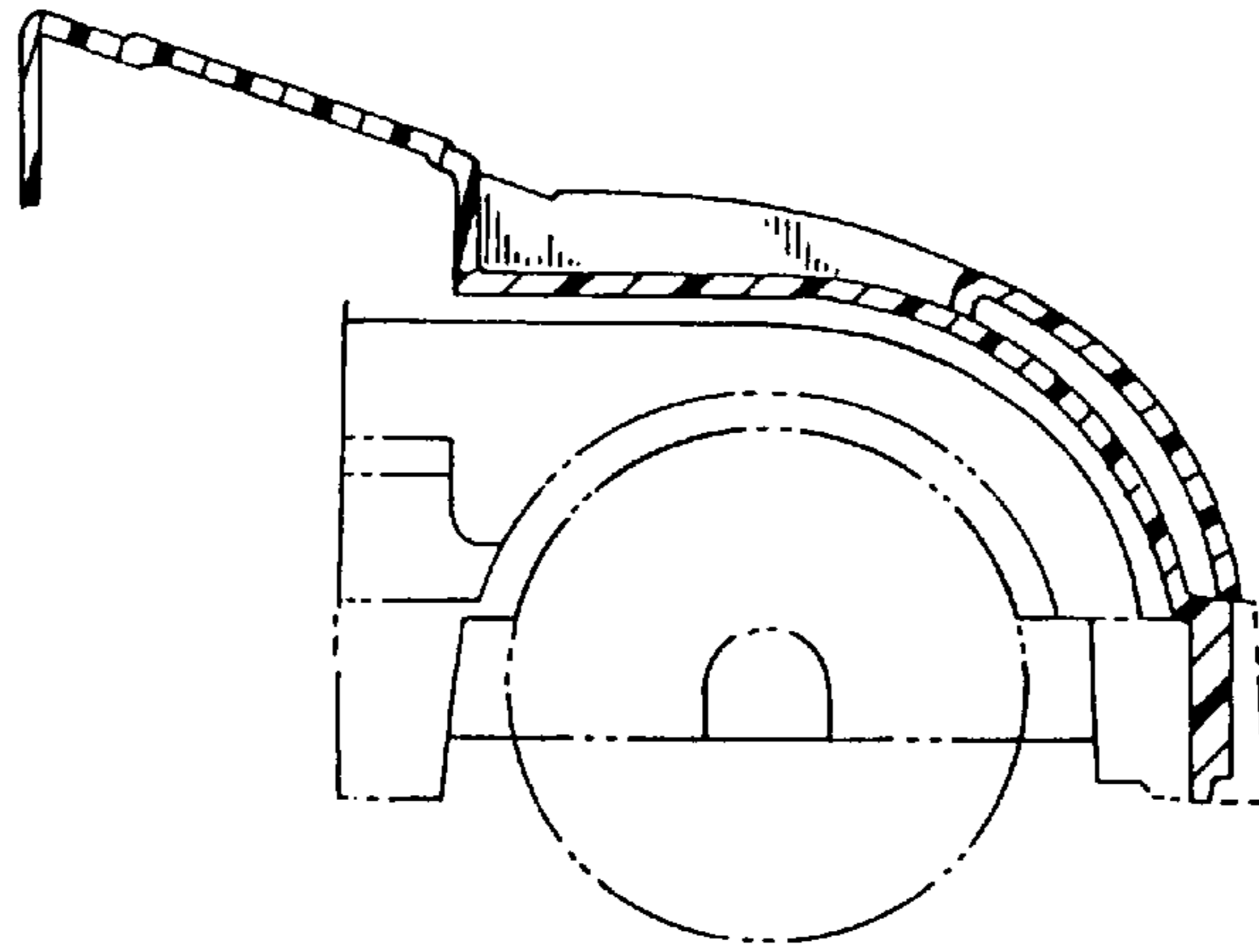


FIG.-4

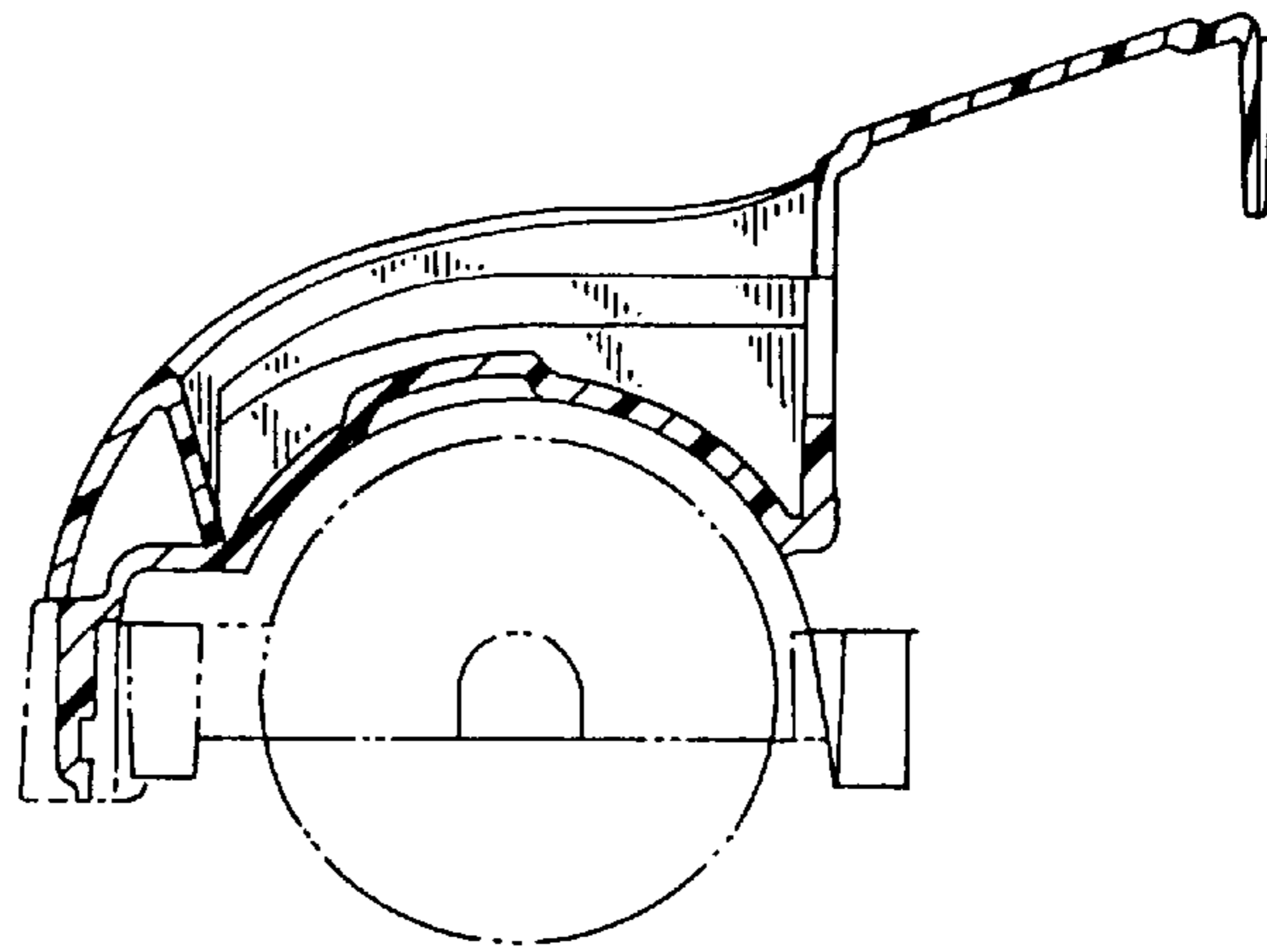


FIG.-5

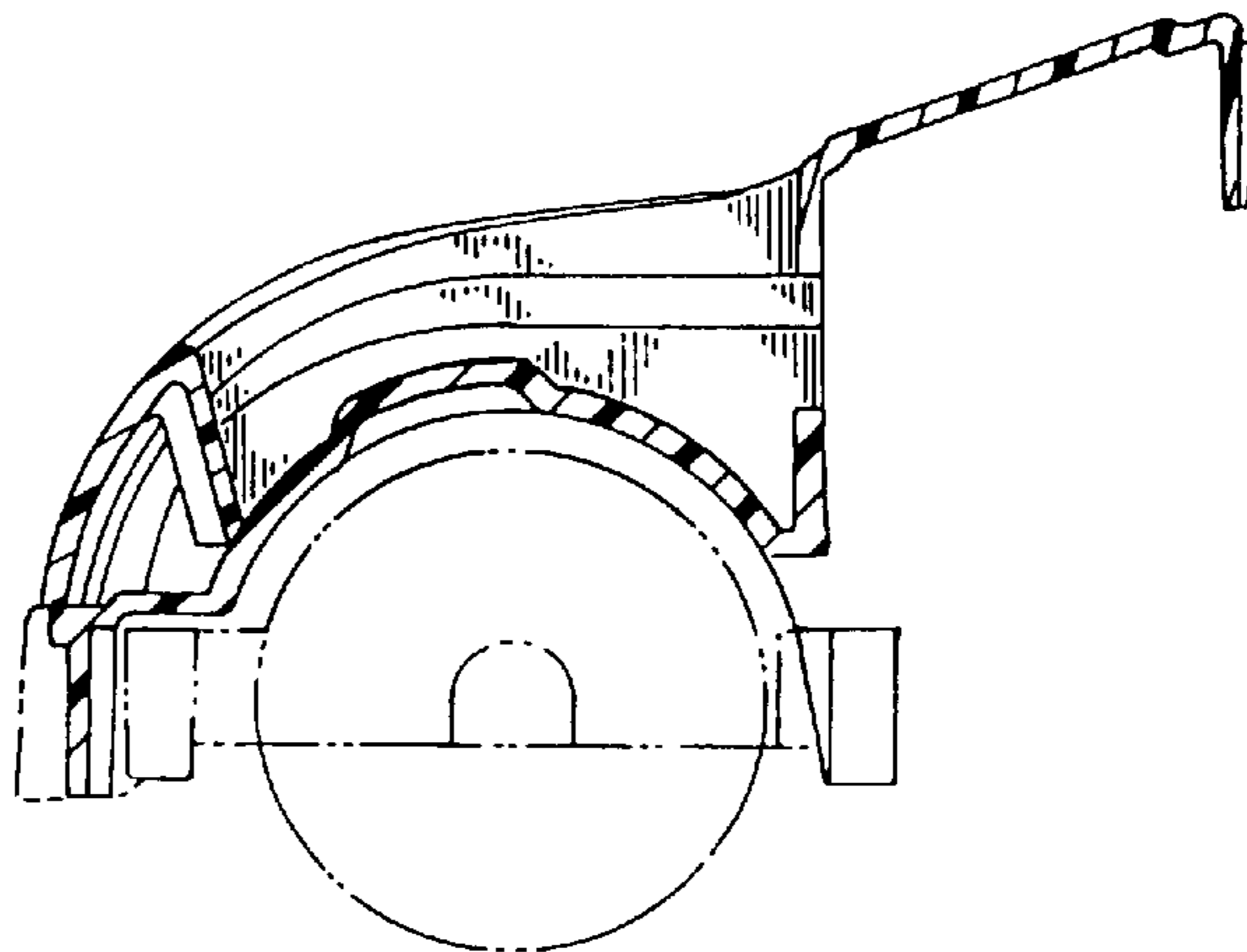


FIG.-6

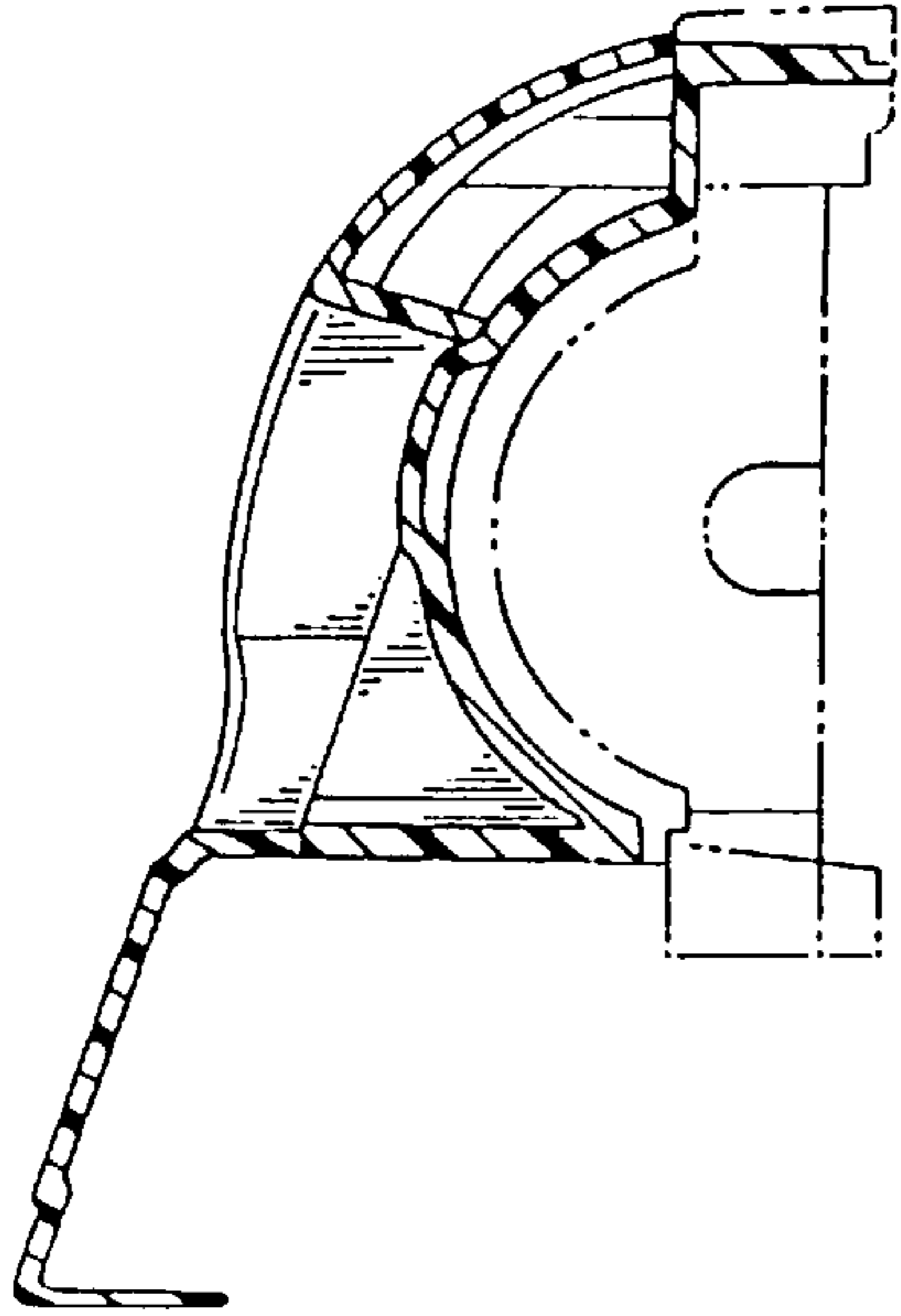


FIG. -7

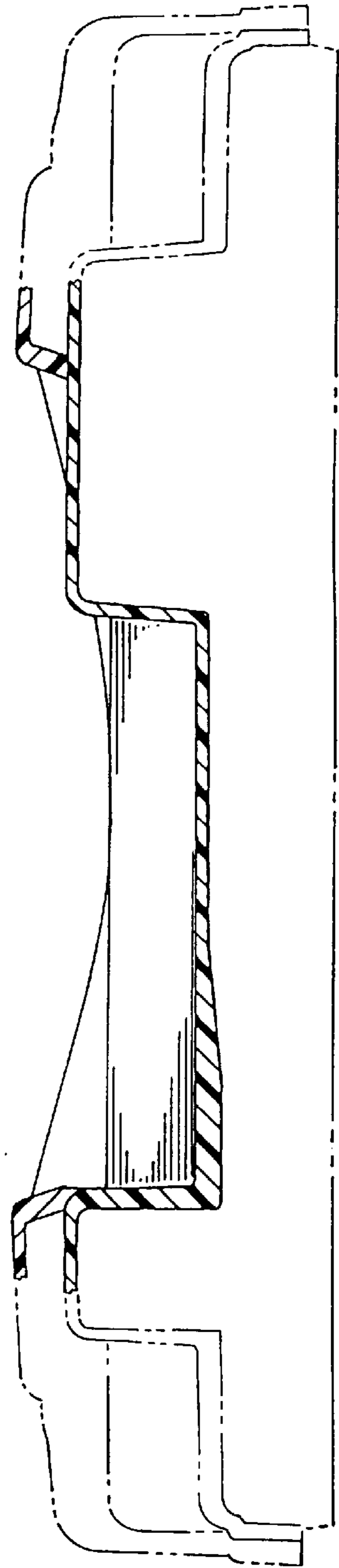


FIG. -8