



US00D407871S

# United States Patent [19]

Truan et al.

[11] Patent Number: **Des. 407,871**

[45] Date of Patent: **\*\*Apr. 6, 1999**

[54] **VEHICLE MOUNTED BROOM**

[75] Inventors: **Charles Joseph Truan**, Royal Oak;  
**James Phillip Truan**, Berkley;  
**Timothy William Hewitt**, Pleasant Ridge, all of Mich.

[73] Assignee: **Trynex, Inc.**, Royal Oak, Mich.

[\*\*] Term: **14 Years**

[21] Appl. No.: **83,416**

[22] Filed: **Feb. 5, 1998**

[51] **LOC (6) Cl.** ..... **15-05**

[52] **U.S. Cl.** ..... **D32/25**

[58] **Field of Search** ..... D32/4, 15, 25;  
D4/130, 135; 15/78, 160

[56] **References Cited**

**U.S. PATENT DOCUMENTS**

D. 307,517	5/1990	Mallory et al.	.....	D4/135
D. 321,793	11/1991	Bryant	.....	D4/135
D. 331,151	11/1992	Kiefer	.....	D4/130
2,101,769	12/1937	Westmoreland	.	

2,300,192	10/1942	Allen	.
2,561,025	7/1951	Febvre	.
2,789,298	4/1957	Peterson	.
2,855,618	10/1958	Jones	.
2,973,535	3/1961	Olay	.
2,989,766	6/1961	Hoag	.
3,086,236	4/1963	Anonsen	.
3,129,944	4/1964	Amos et al.	.
5,182,830	2/1993	Viola	.
5,549,413	8/1996	Bolden	.
5,621,940	4/1997	Lewis et al.	.

*Primary Examiner*—Phillip S. Hyder  
*Assistant Examiner*—Mitchell I. Siegel  
*Attorney, Agent, or Firm*—Howard & Howard

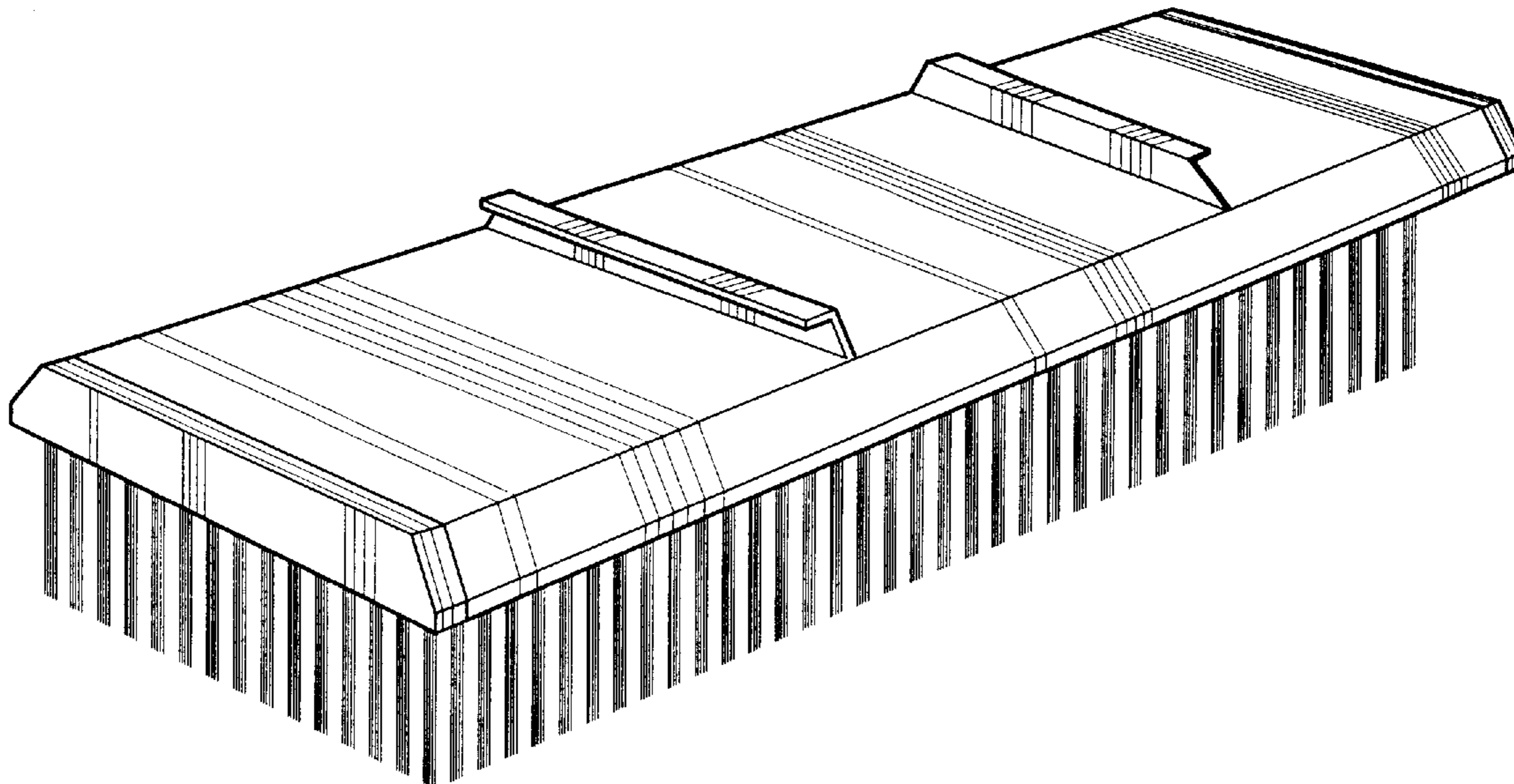
[57] **CLAIM**

The ornamental design for the vehicle mounted broom, as shown.

**DESCRIPTION**

FIG. 1 is a perspective view of the vehicle mounted broom; FIG. 2 is a top view of the vehicle mounted broom; FIG. 3 is a front view of the vehicle mounted broom; and, FIG. 4 is a side view of the vehicle mounted broom.

**1 Claim, 1 Drawing Sheet**



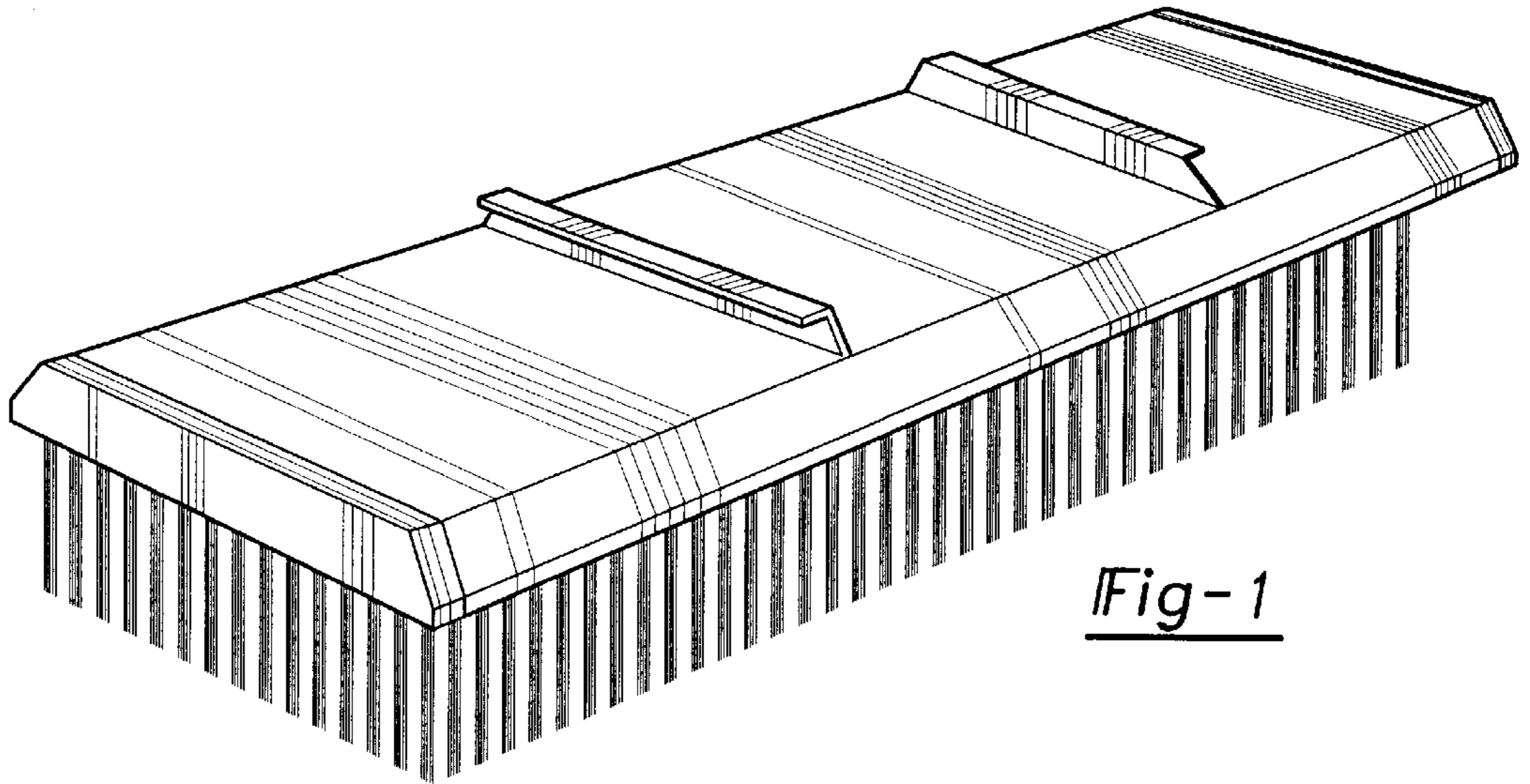


Fig-1

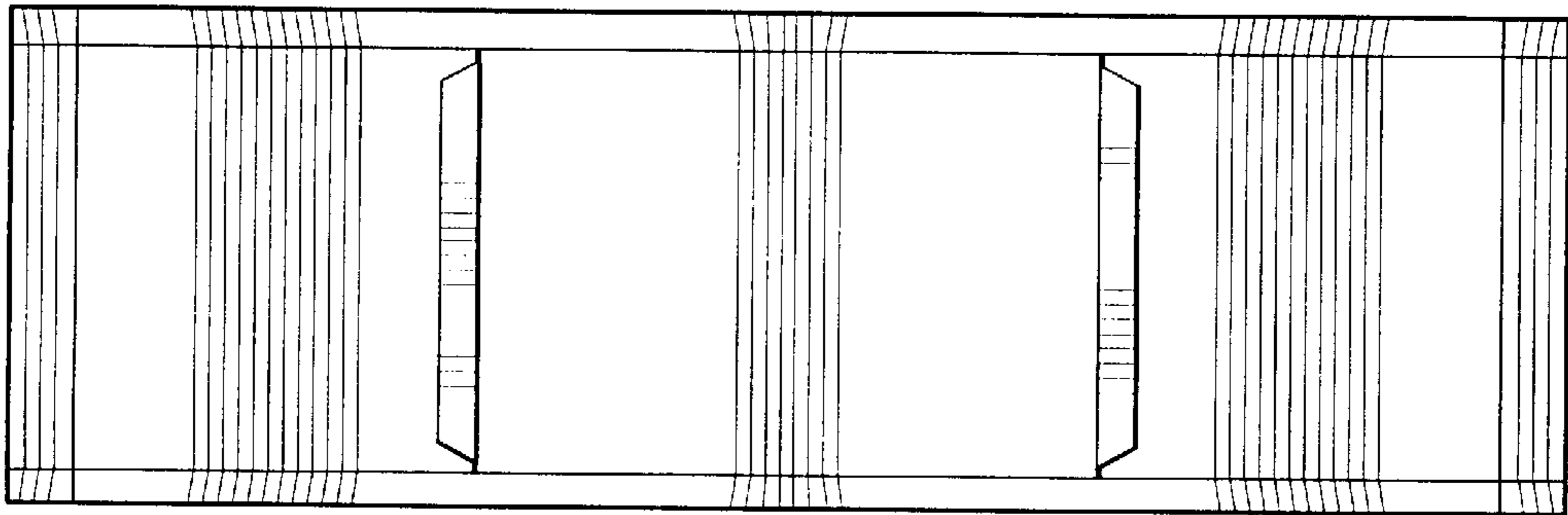


Fig-2

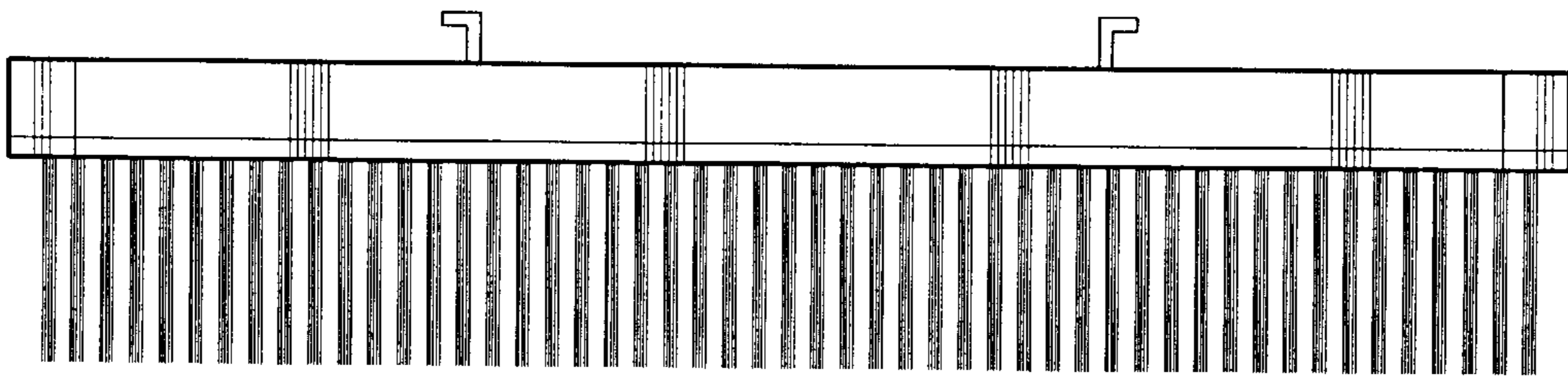


Fig-3

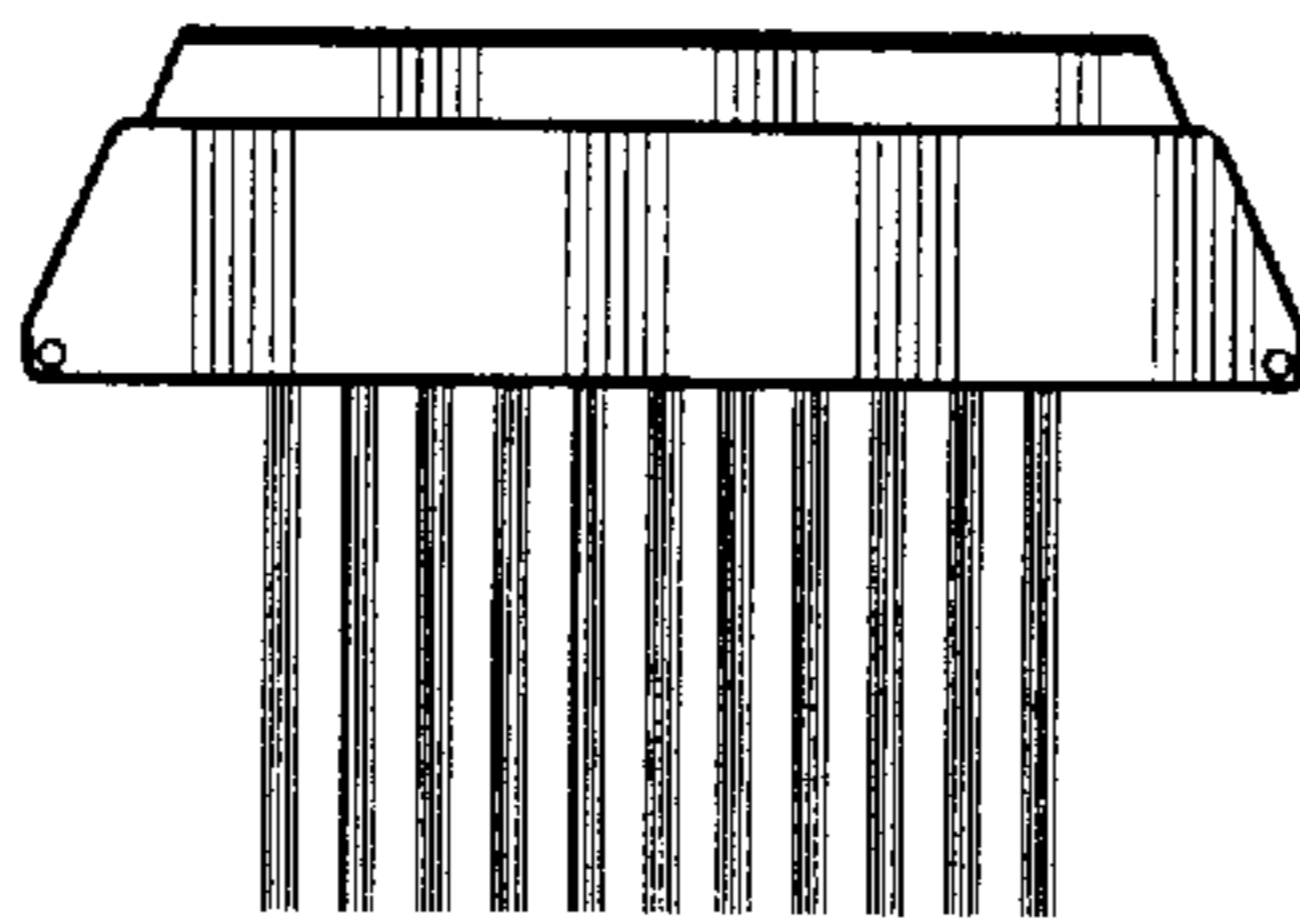


Fig-4