



US00D407870S

United States Patent [19]
Pappas

[11] **Patent Number: Des. 407,870**

[45] **Date of Patent: **Apr. 6, 1999**

[54] **LAUNDRY LINT TRAP**

5,651,188 7/1997 Swanson et al. 34/82

[76] Inventor: **Steven D. Pappas**, 8233 Grayfield,
Dearborn Heights, Mich. 48127

Primary Examiner—Ted Shooman
Assistant Examiner—Mitchell I. Siegel

[**] Term: **14 Years**

[57] **CLAIM**

The ornamental design for a laundry lint trap, as shown.

[21] Appl. No.: **72,307**

DESCRIPTION

[22] Filed: **Jun. 12, 1997**

[51] **LOC (6) Cl.** **15-05**

[52] **U.S. Cl.** **D32/25**

[58] **Field of Search** D34/1, 6, 8, 25;
34/82, 55, 133

FIG. 1 is a front view of the laundry lint trap of the present invention;

FIG. 2 is a rear view of the laundry lint trap of FIG. 1;

FIG. 3 is a right side view of the laundry lint trap of FIG. 1;

FIG. 4 is a left side view of the laundry lint trap of FIG. 1;

FIG. 5 is a top plan view of the laundry lint trap of FIG. 1;

FIG. 6 is a bottom plan view of the laundry lint trap of FIG. 1;

FIG. 7 is a cross sectional view along line 7—7 of FIG. 1 of

the laundry lint trap of FIG. 1.

[56] **References Cited**

U.S. PATENT DOCUMENTS

D. 314,261	1/1991	Carr et al.	D32/25
3,378,934	4/1968	Erickson	34/82
3,579,851	5/1971	Elmy	34/82
3,648,381	3/1972	Fox	34/82

1 Claim, 3 Drawing Sheets

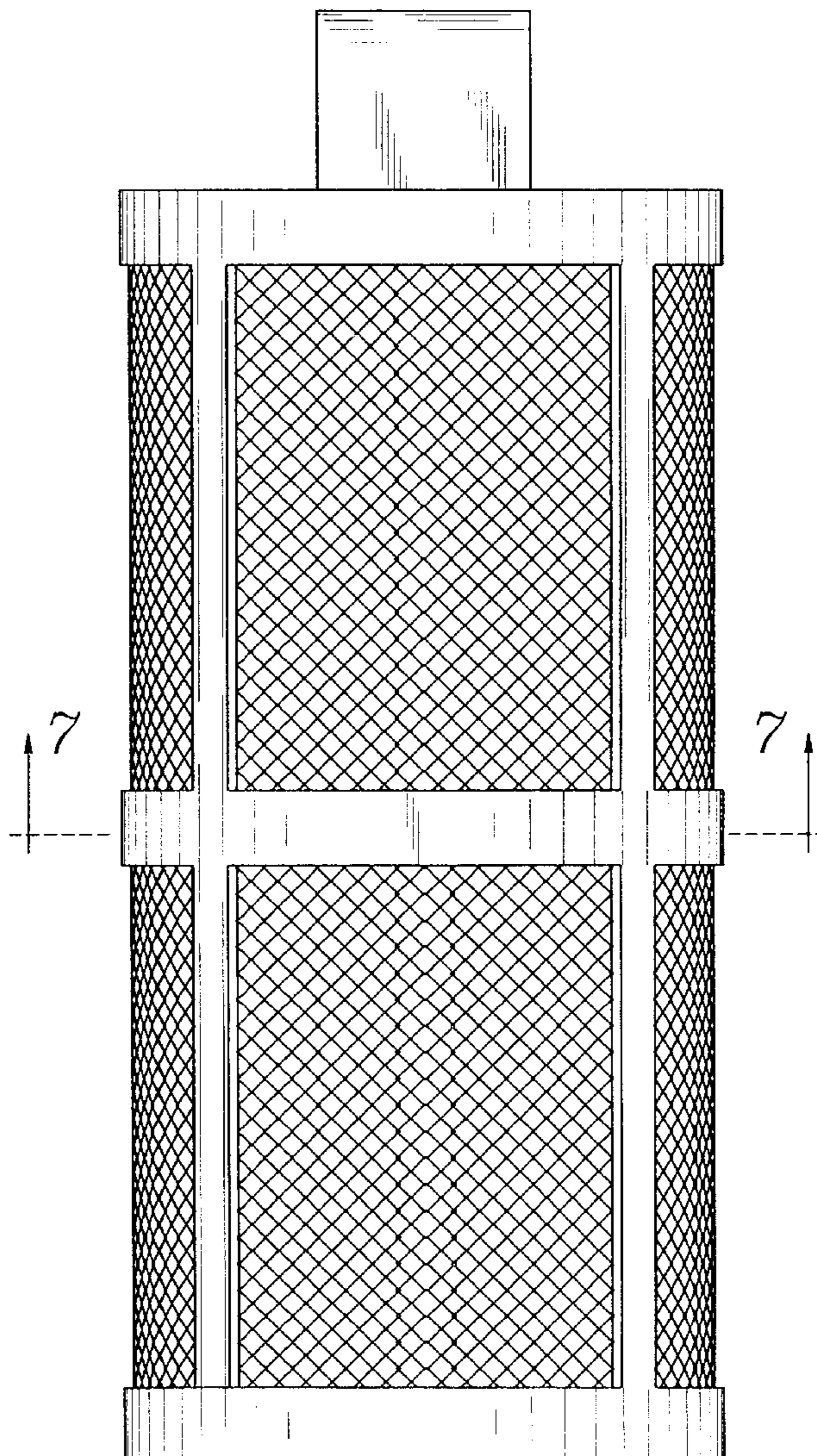


FIG. 1

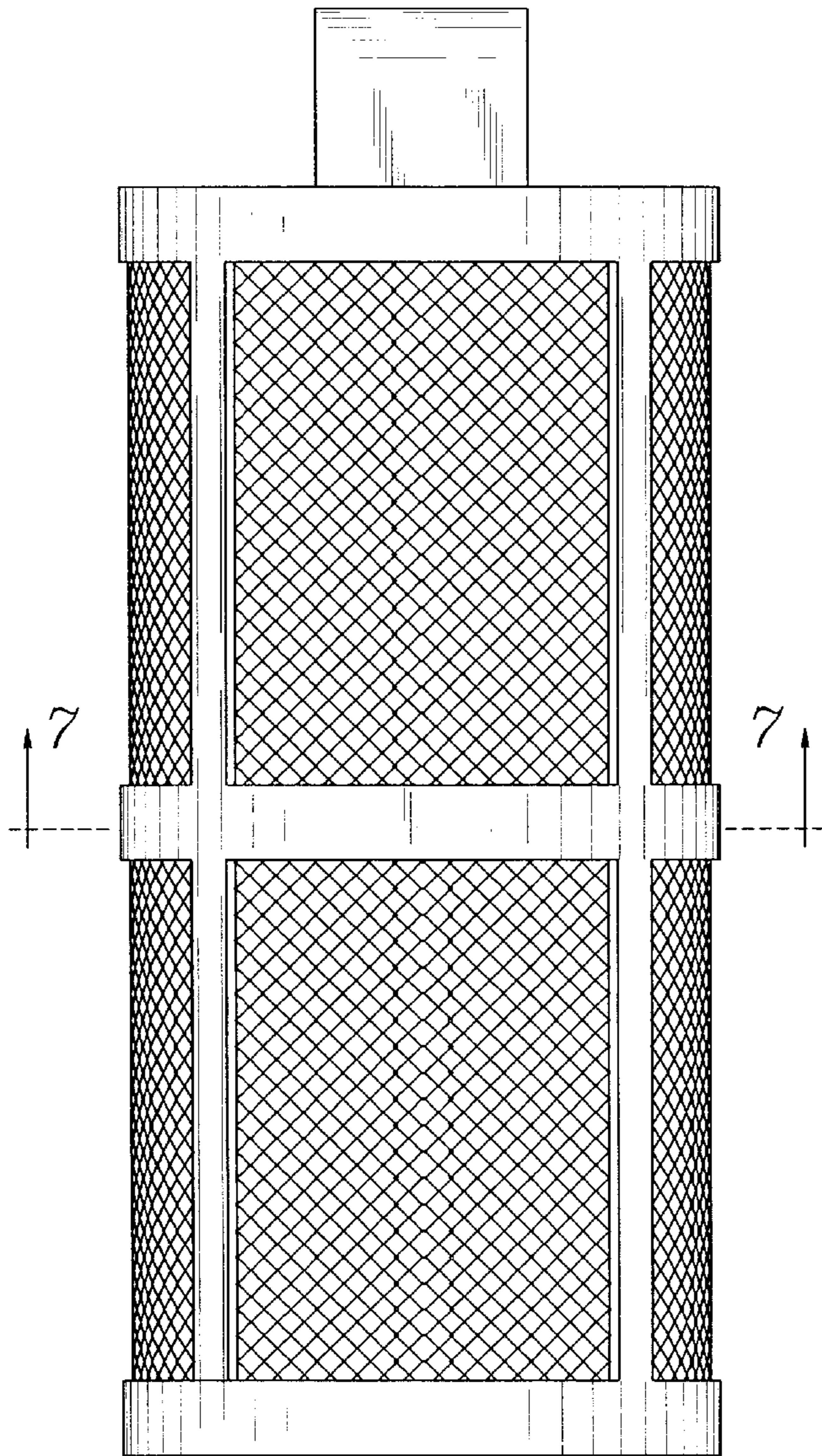


FIG. 2

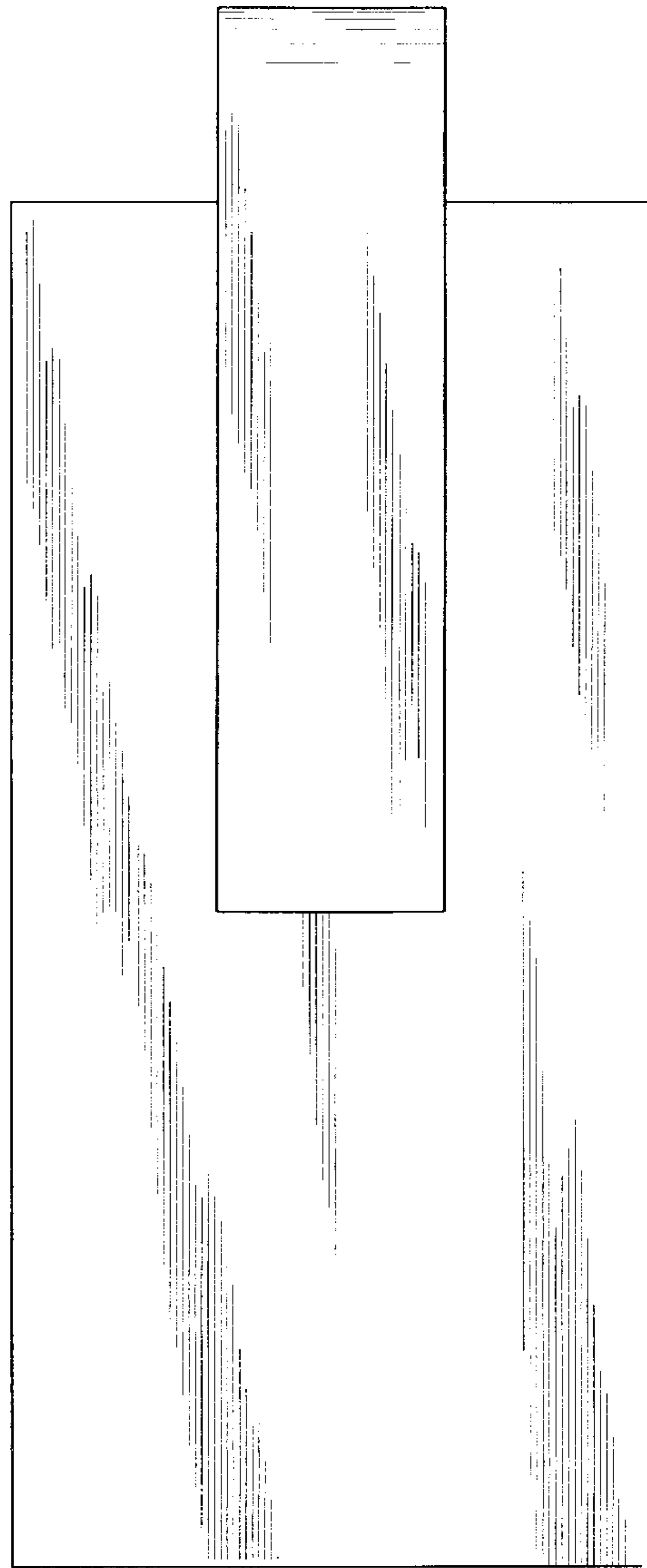


FIG. 3

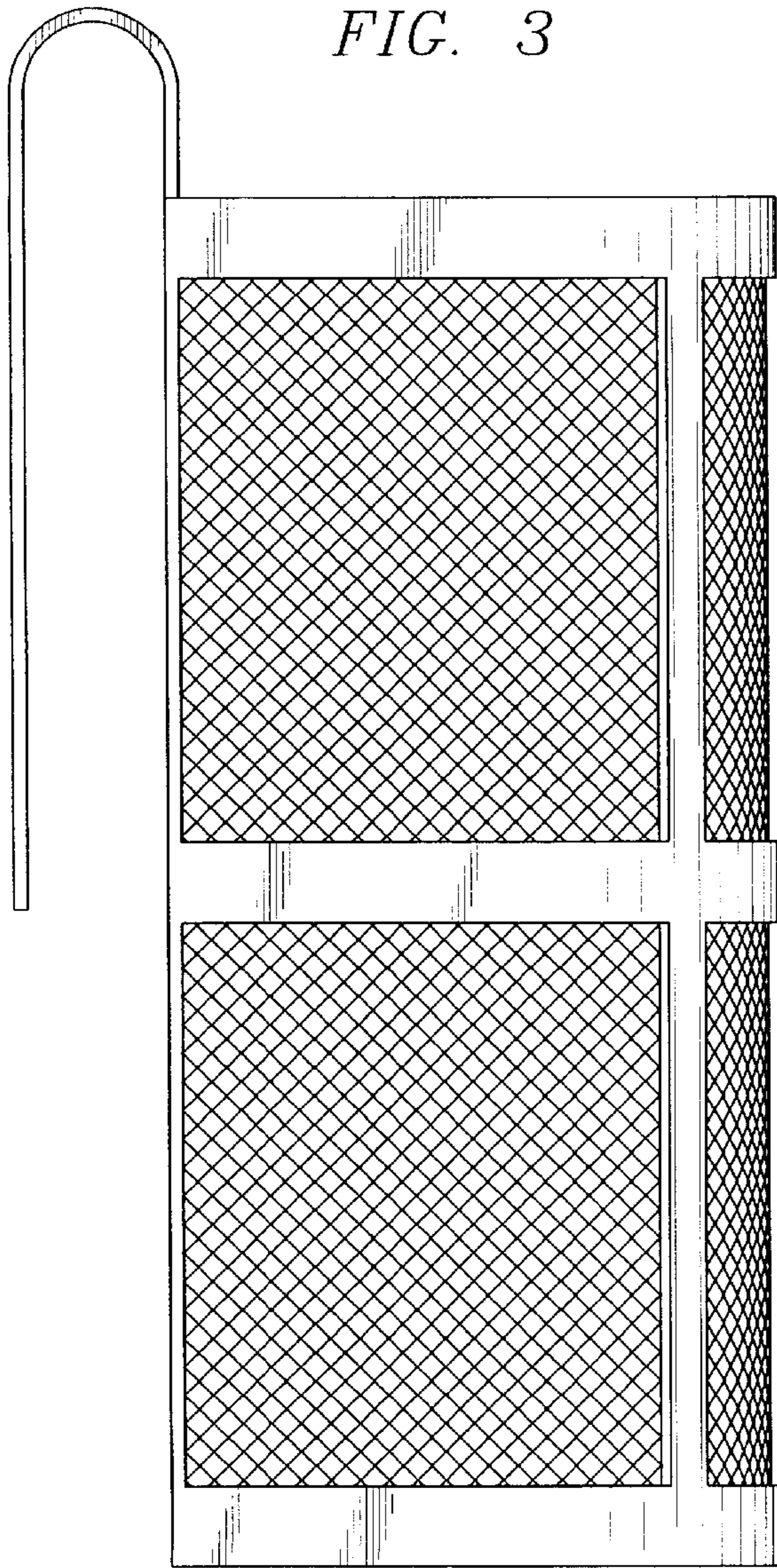


FIG. 4

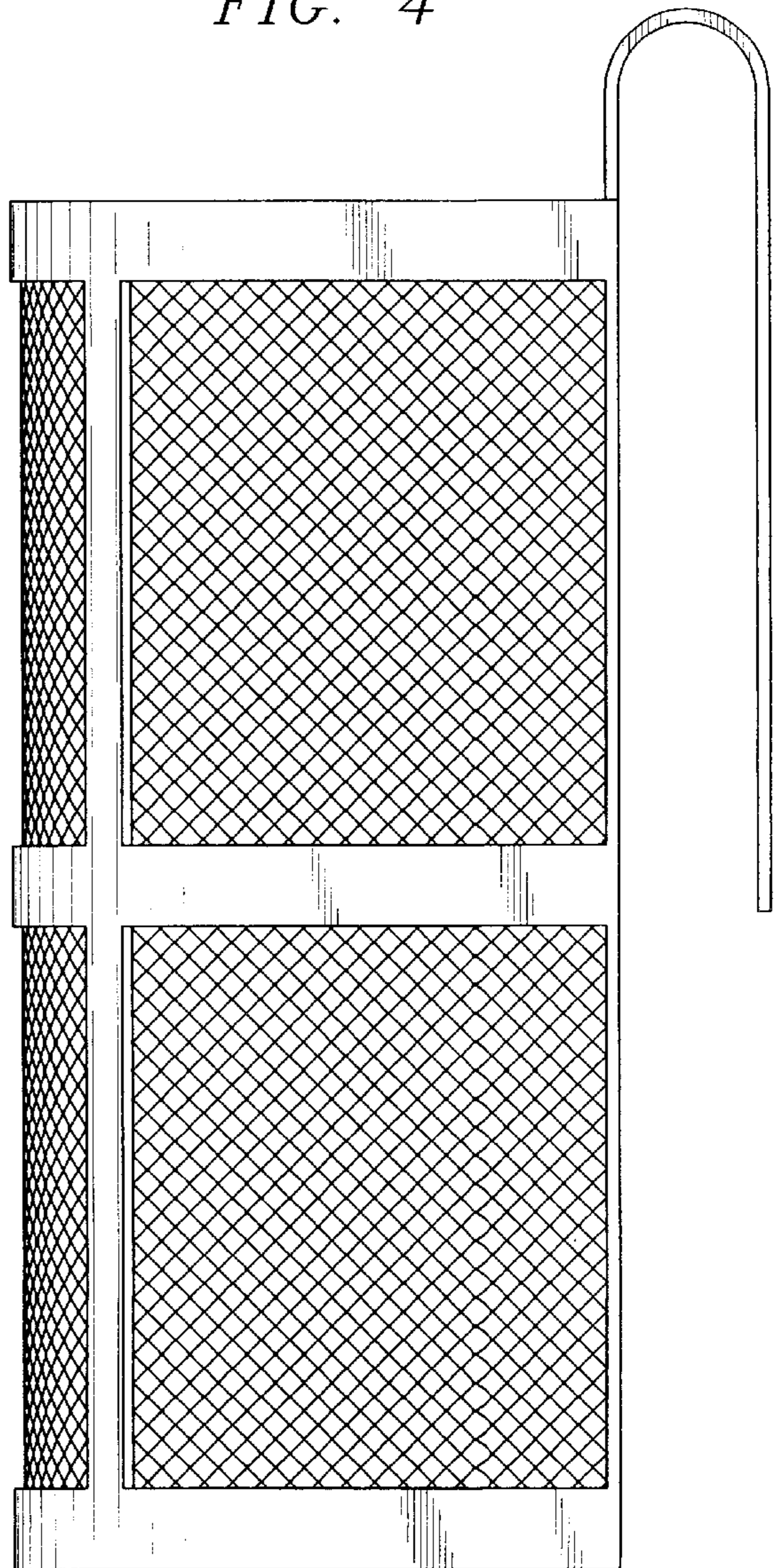


FIG. 5

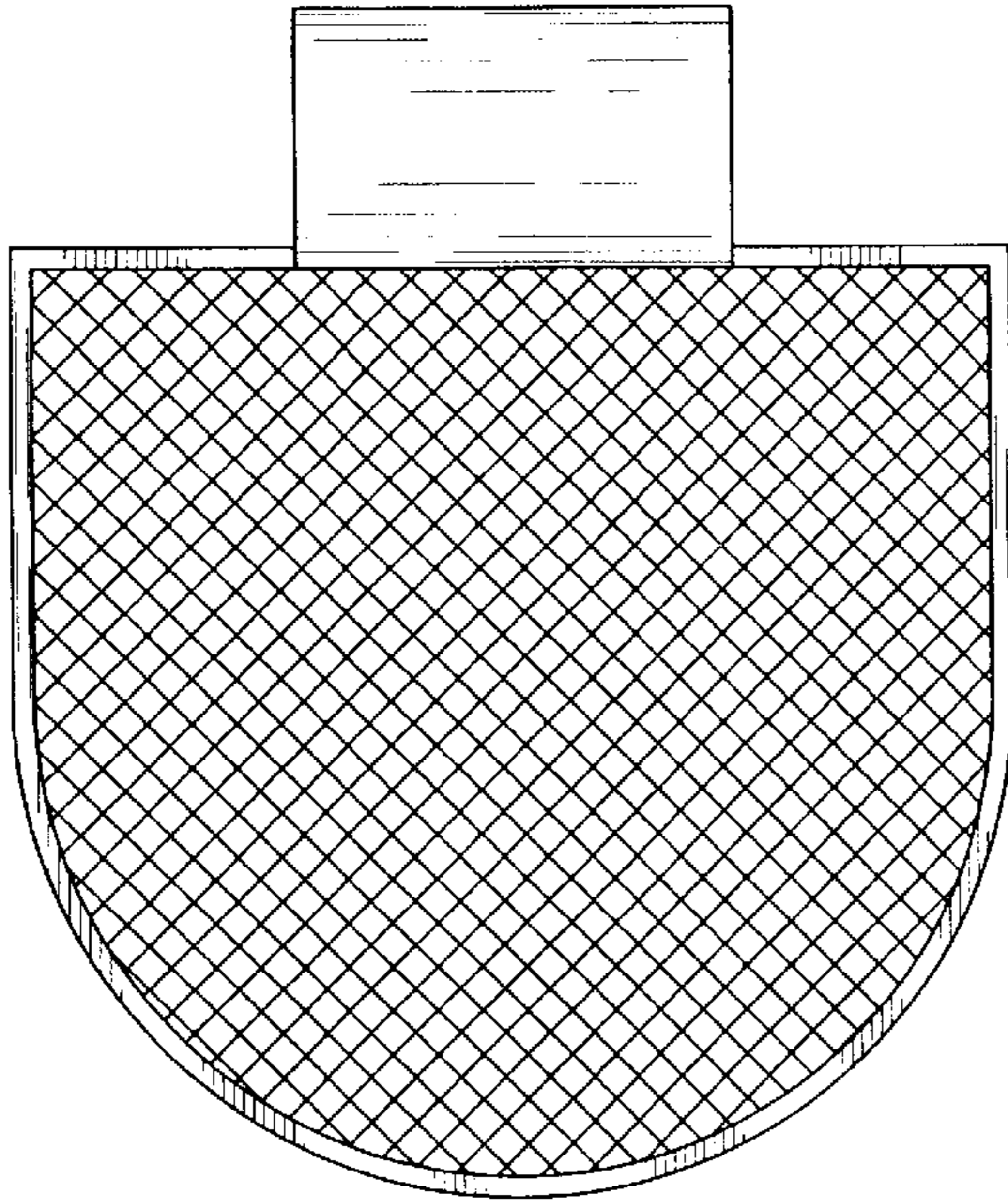


FIG. 6

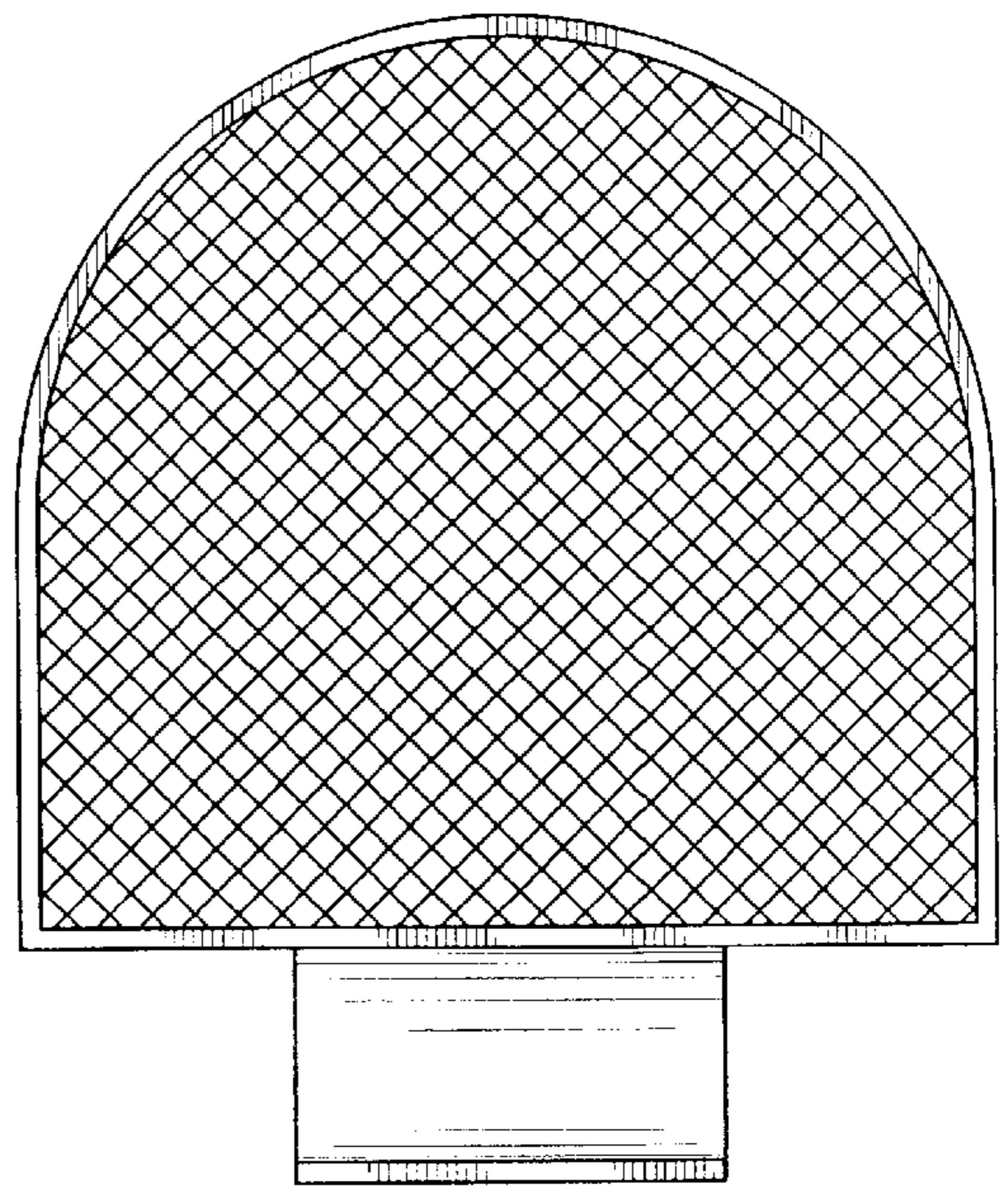


FIG. 7

