



US00D407865S

# United States Patent [19] Rylander

[11] Patent Number: **Des. 407,865**

[45] Date of Patent: **\*\*Apr. 6, 1999**

[54] **DETACHABLE WEIGHT BAG FOR HORSES**

[76] Inventor: **Sven Rylander**, Lungviksgatan 3KV,  
Örnsköldsvik, Sweden, S-891 33

[\*\*] Term: **14 Years**

[21] Appl. No.: **79,811**

[22] Filed: **Nov. 19, 1997**

[51] **LOC (6) Cl.** ..... **30-01**

[52] **U.S. Cl.** ..... **D30/144**

[58] **Field of Search** ..... D30/144-146;  
119/725-726, 212, 814, 816-819, 850-851,  
854; 606/241; 482/105; 54/71, 82, 80.1;  
199/600

[56] **References Cited**

**U.S. PATENT DOCUMENTS**

D. 329,108	9/1992	Boyd	.....	D30/146
D. 352,369	11/1994	Figoni	.....	D30/144
581,042	4/1897	Sites	.....	54/82
1,479,000	1/1924	Keller	.....	54/82
3,209,517	10/1965	Hyman	.....	54/82
3,490,766	1/1970	Gardner	.....	482/105
4,424,809	1/1984	Yonankin	.....	54/82
4,834,079	5/1989	Benckhuijsen	.....	54/82
4,974,398	12/1990	Kaski	.....	
4,997,183	3/1991	Winston	.....	482/78

5,025,613	6/1991	Connors	.....	54/78
5,076,575	12/1991	Eylander	.....	119/82
5,137,508	8/1992	Engman	.....	54/950
5,389,061	2/1995	Nor	.....	54/81
5,458,617	10/1995	Byström	.....	
5,676,094	10/1997	Gun-Munro	.....	119/850

*Primary Examiner*—Cathy Anne MacCormac  
*Attorney, Agent, or Firm*—Fasth Law Offices; Rolf Fasth

[57] **CLAIM**

The ornamental design of a detachable weight bag for horses, as shown and described.

**DESCRIPTION**

FIG. 1 is a front perspective view of a detachable weight for horses showing my new design; FIG. 2 is a front view thereof; FIG. 3 is a rear view thereof; FIG. 4 is a top view thereof; FIG. 5 is a bottom view thereof; FIG. 6 is a left side view of FIG. 2; FIG. 7 is a right side view of FIG. 2; and, FIG. 8 is a perspective view thereof in a rolled position. The broken lines in FIGS. 1 and 2 are for purposes of illustration only and form no part of the claimed design while the dashed lines in FIGS. 1, 2, 3, and 6 represent conventional stitching.

**1 Claim, 3 Drawing Sheets**

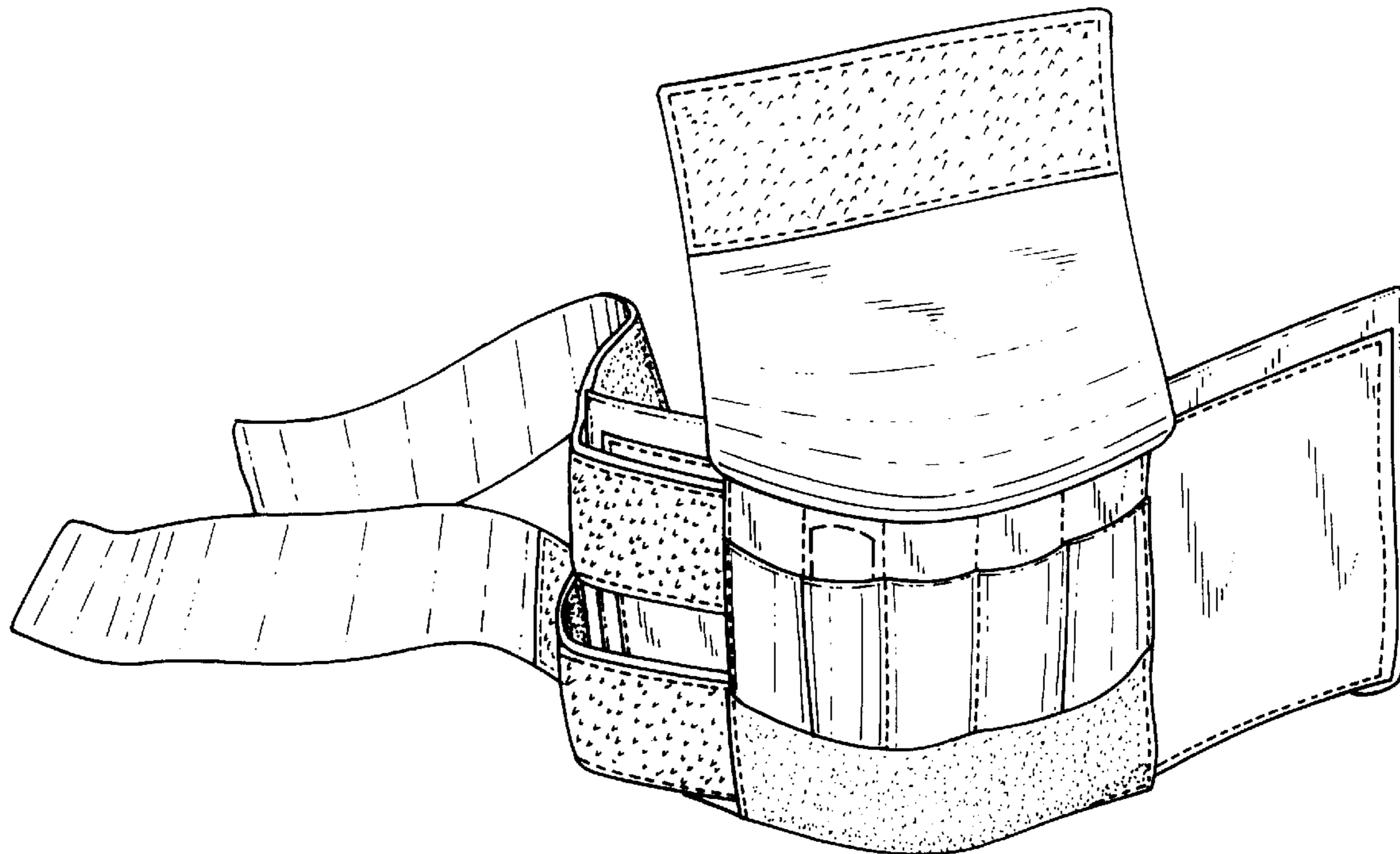


FIG. 1

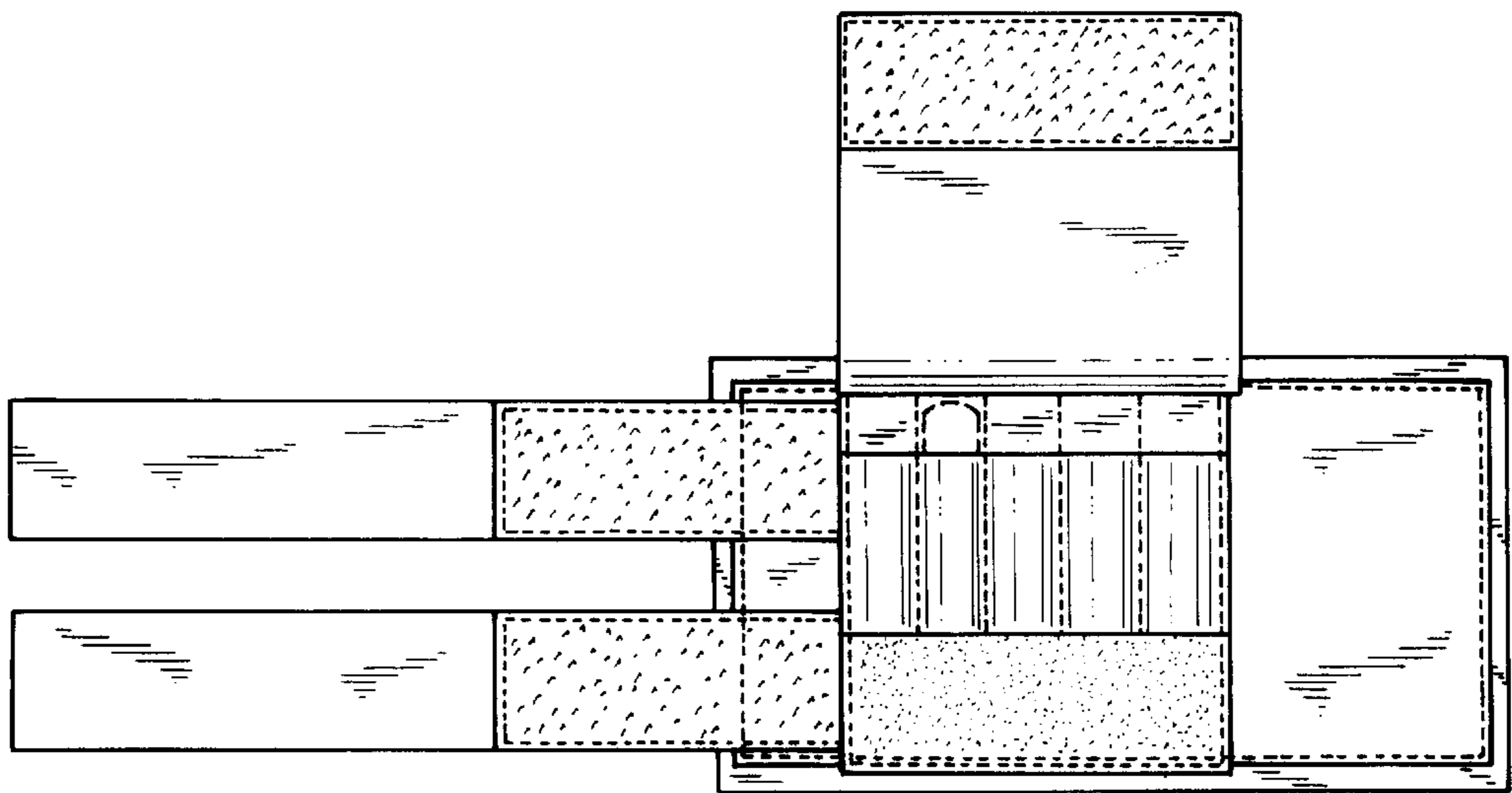
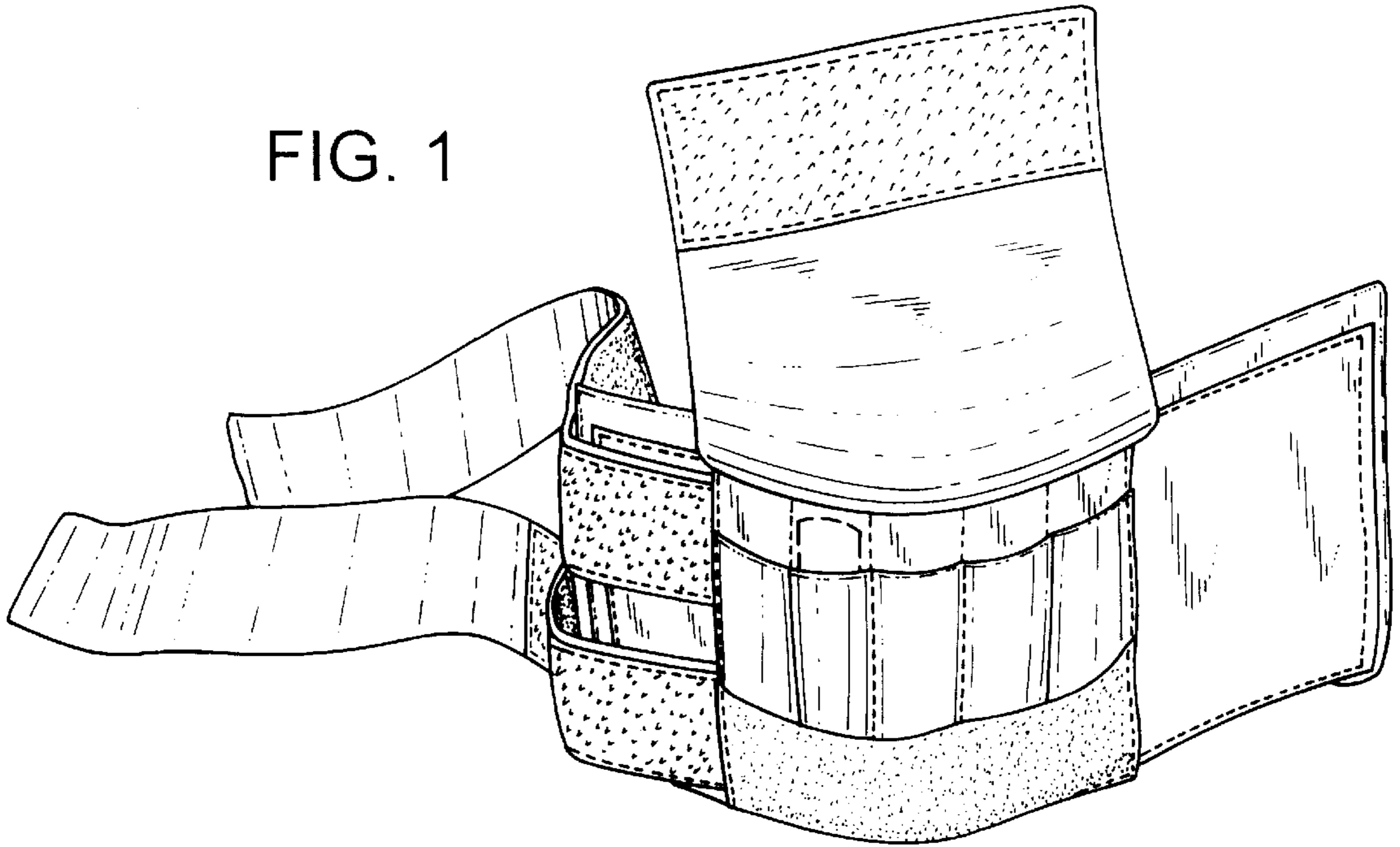


FIG. 2

FIG. 3

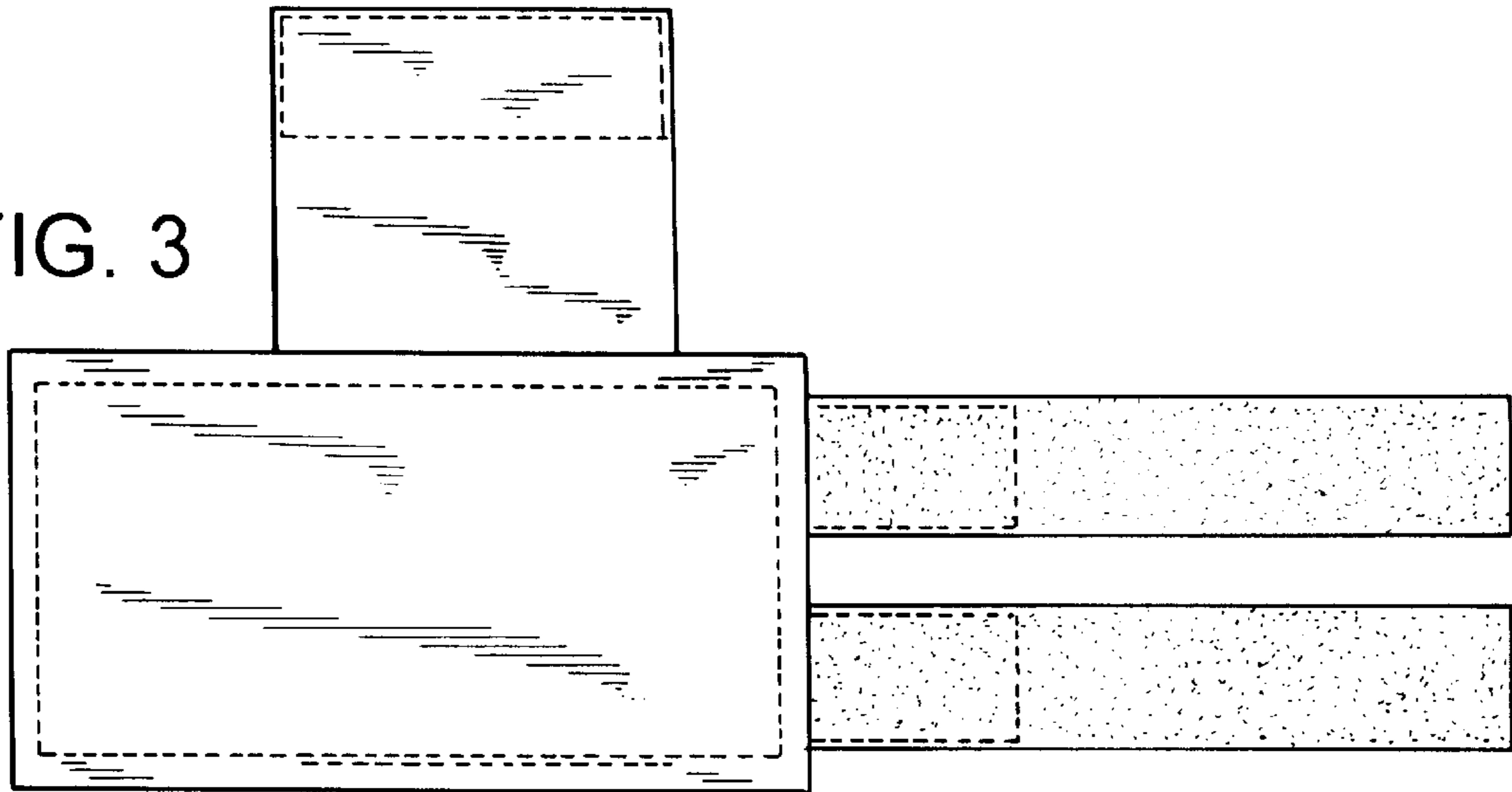


FIG. 4



FIG. 5



FIG. 6



FIG. 7



FIG. 8

