



US00D407863S

# United States Patent [19]

Leal et al.

[11] Patent Number: **Des. 407,863**

[45] Date of Patent: **\*\*Apr. 6, 1999**

[54] **HOPPER-TYPE BIRD FEEDER**

[75] Inventors: **Manuel A. Leal; Robert E. Bescherer,**  
both of Bristol, R.I.

[73] Assignee: **Aspects, Inc.,** Warren, R.I.

[\*\*] Term: **14 Years**

[21] Appl. No.: **71,689**

[22] Filed: **Jun. 4, 1997**

[51] **LOC (6) Cl.** ..... **30-03**

[52] **U.S. Cl.** ..... **D30/124**

[58] **Field of Search** ..... D30/110-111,  
D30/123-124, 126, 128, 133; 119/57.8-57.9,  
77, 51.03, 52.1-52.3, 51.5, 69.5, 428, 433

[56] **References Cited**

**U.S. PATENT DOCUMENTS**

D. 194,109	11/1962	Dilley	.....	D30/126
D. 249,087	8/1978	Simmons	.....	D30/126
D. 290,414	6/1987	Gerger	.....	D30/128
3,086,499	4/1963	Dilley	.....	119/57.9
4,261,294	4/1981	Bescherer	.....	119/57.8
4,958,595	9/1990	Richman et al.	.....	119/52.2

**OTHER PUBLICATIONS**

Handcrafted Metal Ornaments by Hagerstrom; p. 21; No. 251; Glass Swing Feeder; May 1954.

Winterthur Catalog; p. 26; Lucite Bird Feeder; #986; 1990.

National Audubon Society Catalog; p. 4; No. 75701 Audobon Shetlerd Classic windowpane feeder; Aug. 1995.

Old Village Shop Catalog; p. 42; Acrylic Bird Feeder & Thermometer No. 459388; Aug. 1990.

Duncraft Catalog; photo on rear cover; No. 755XL—Grande Chalet; Birds Catalogs Box; Feb. 1981.

*Primary Examiner*—Cathy Anne MacCormac  
*Attorney, Agent, or Firm*—Barlow & Josephs, Ltd.

[57] **CLAIM**

The ornamental design for a hopper-type bird feeder, as shown.

**DESCRIPTION**

FIG. 1 is a perspective view of a hopper-type bird feeder showing our new design;

FIG. 2 is a front elevational view thereof;

FIG. 3 is a rear elevational view thereof;

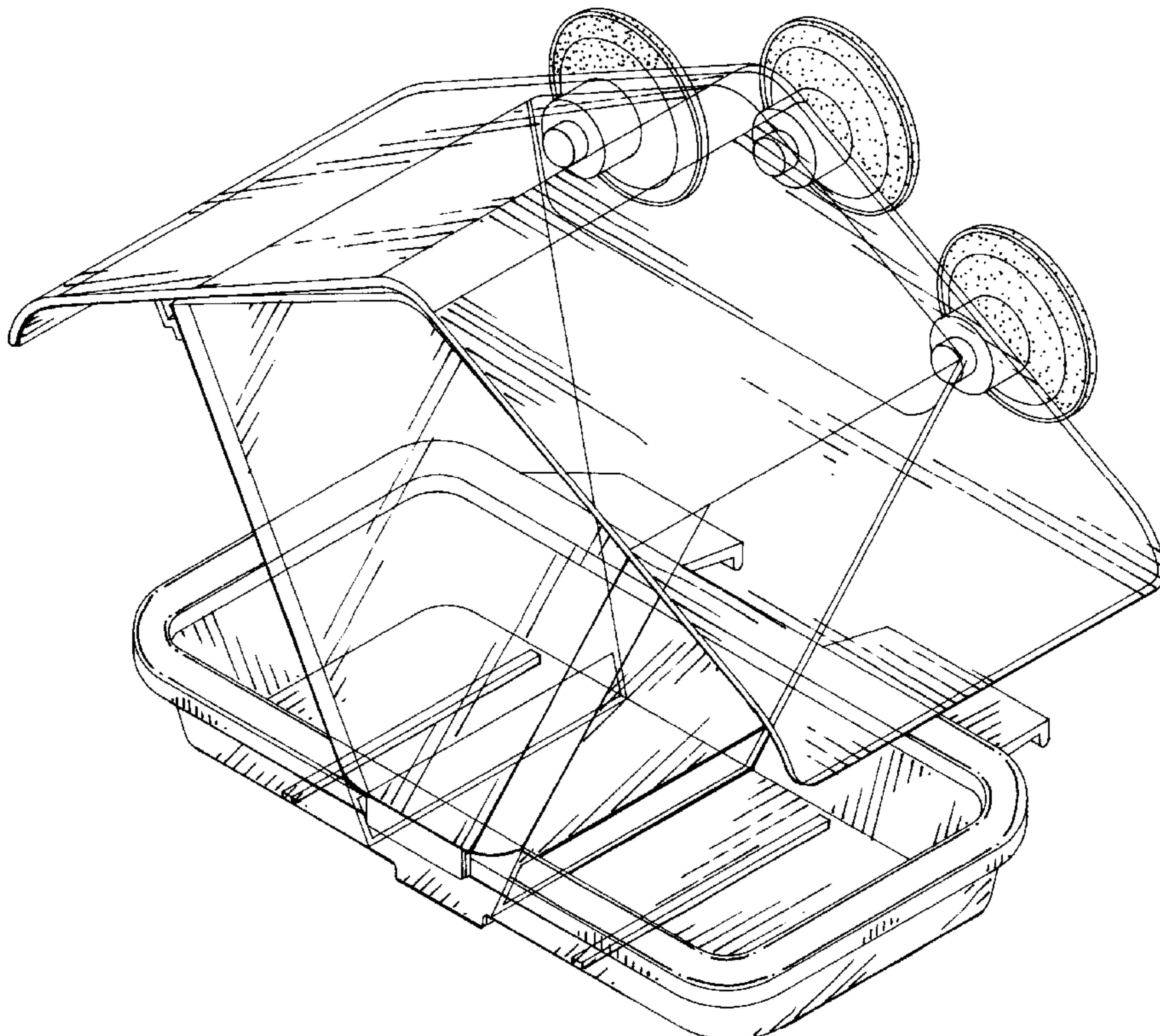
FIG. 4 is a right side elevational view thereof;

FIG. 5 is a left side elevational view thereof;

FIG. 6 is a top view thereof; and,

FIG. 7 is a bottom view thereof.

**1 Claim, 4 Drawing Sheets**



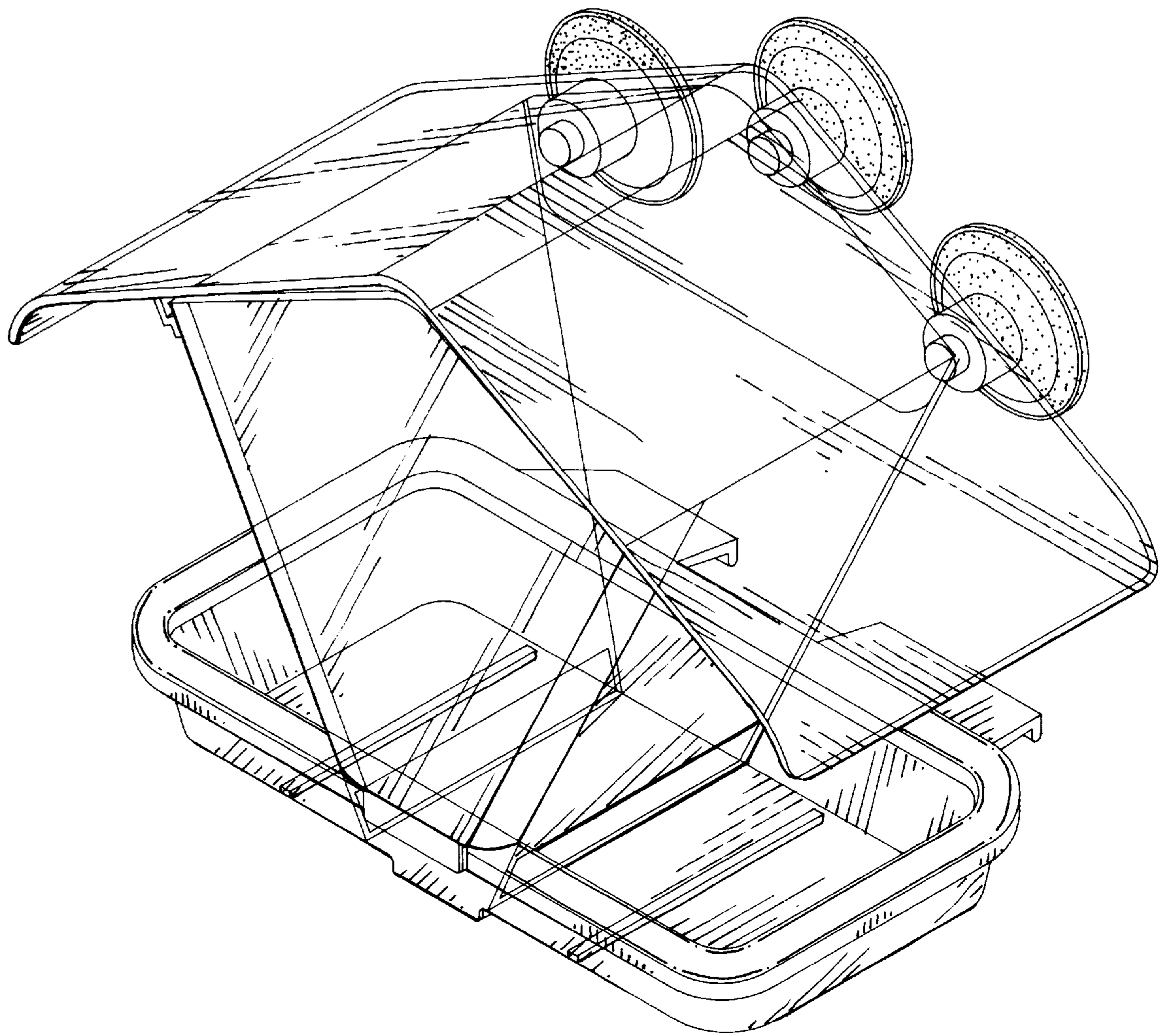


FIG. 1



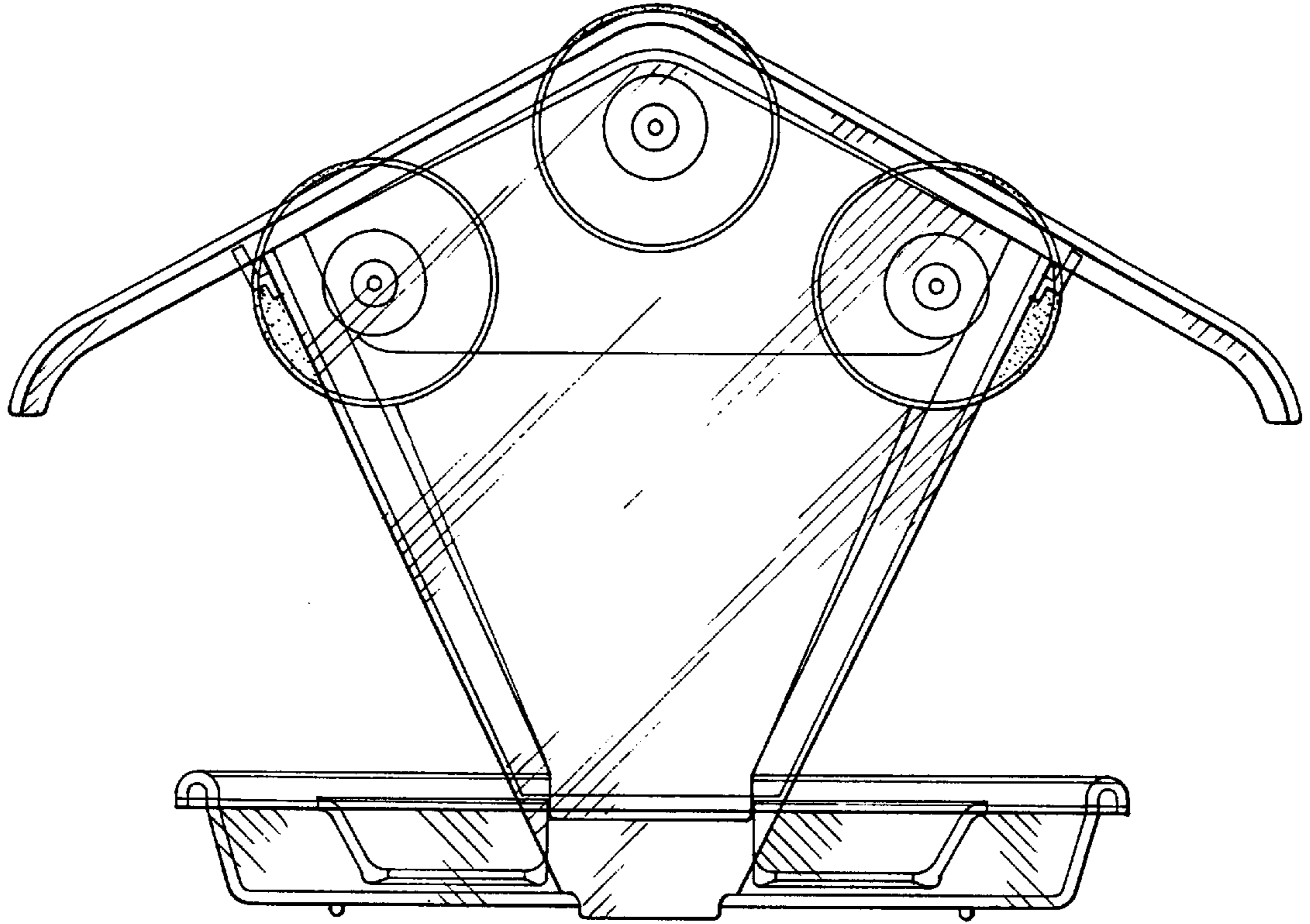


FIG. 2

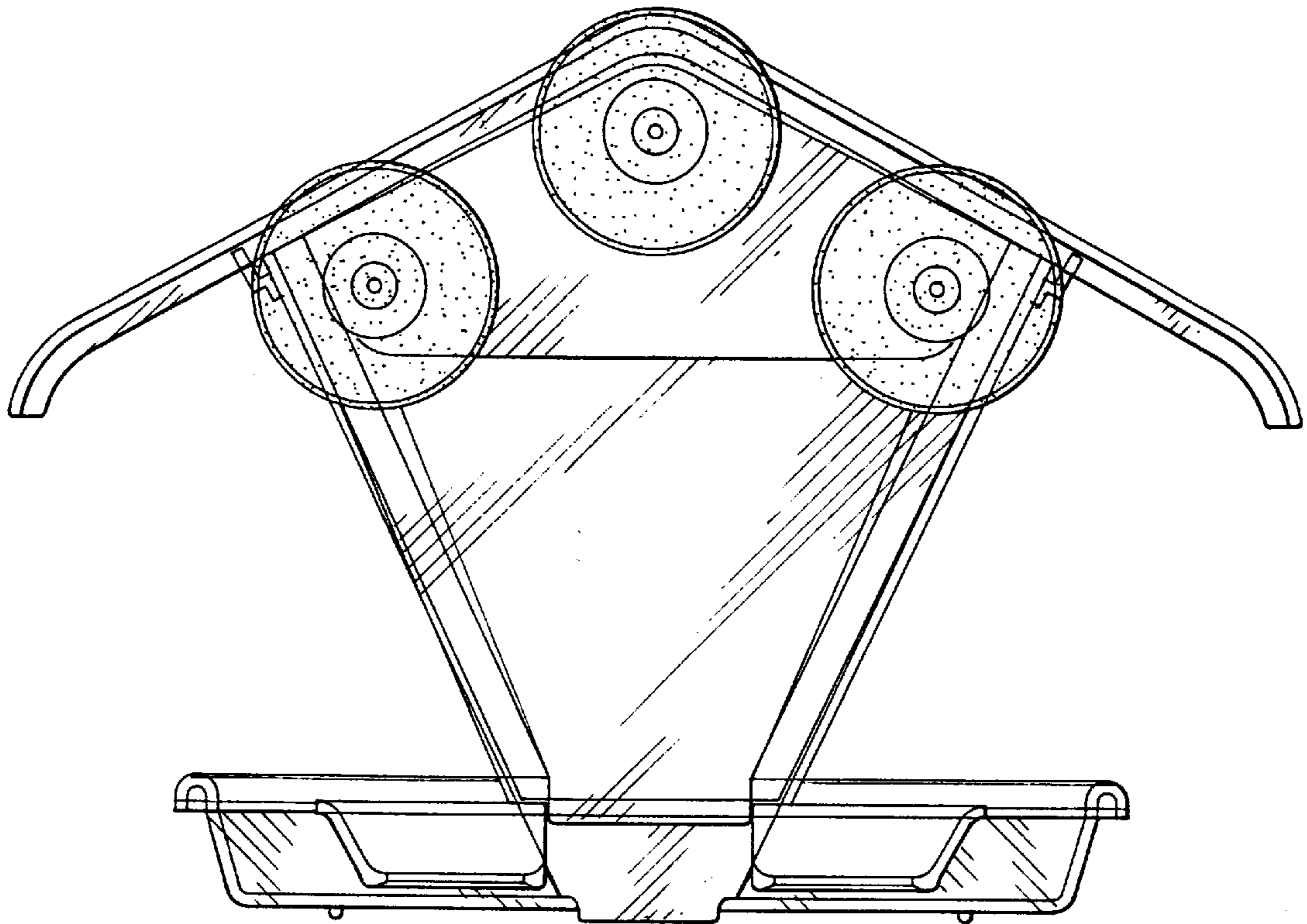


FIG. 3

FIG. 4

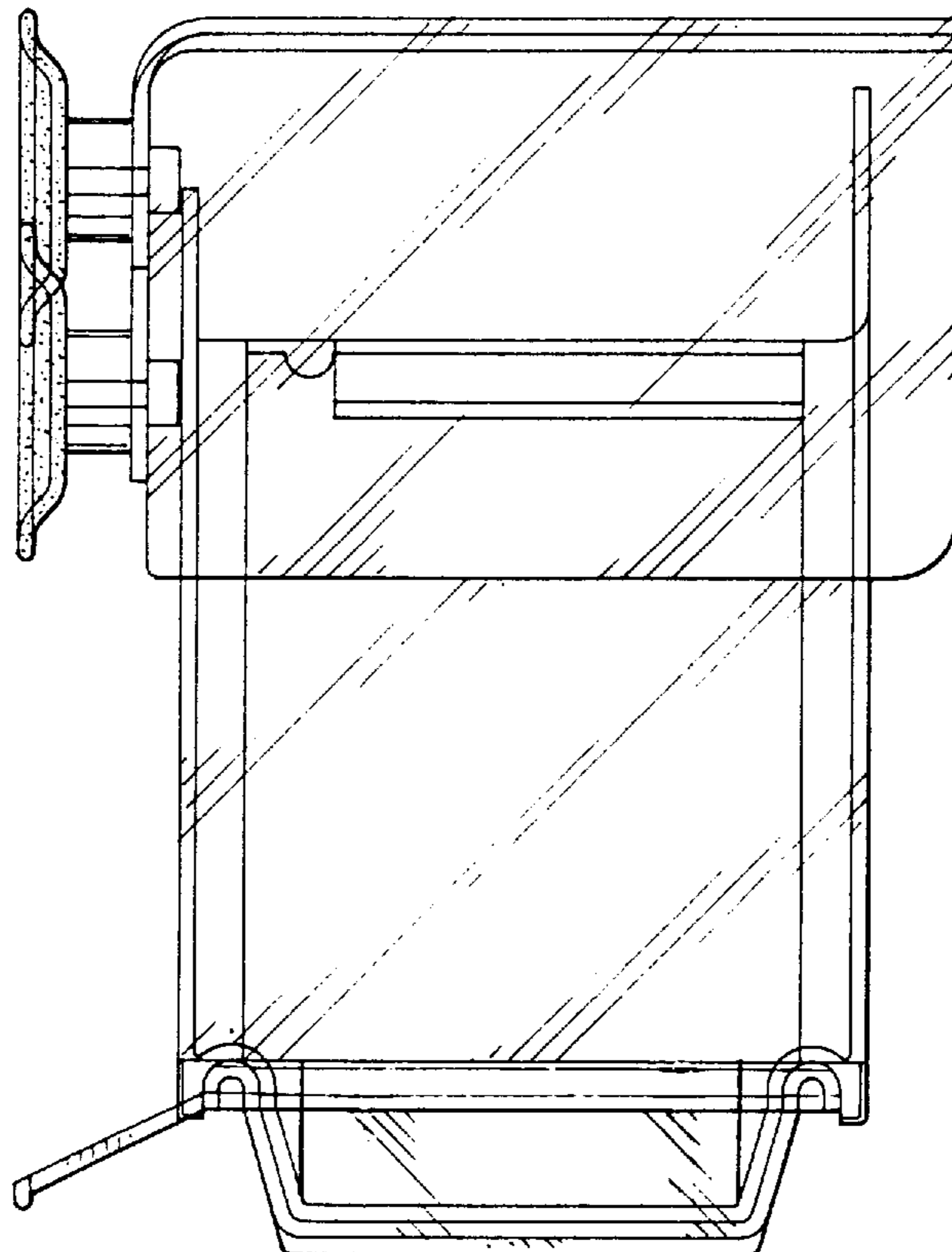
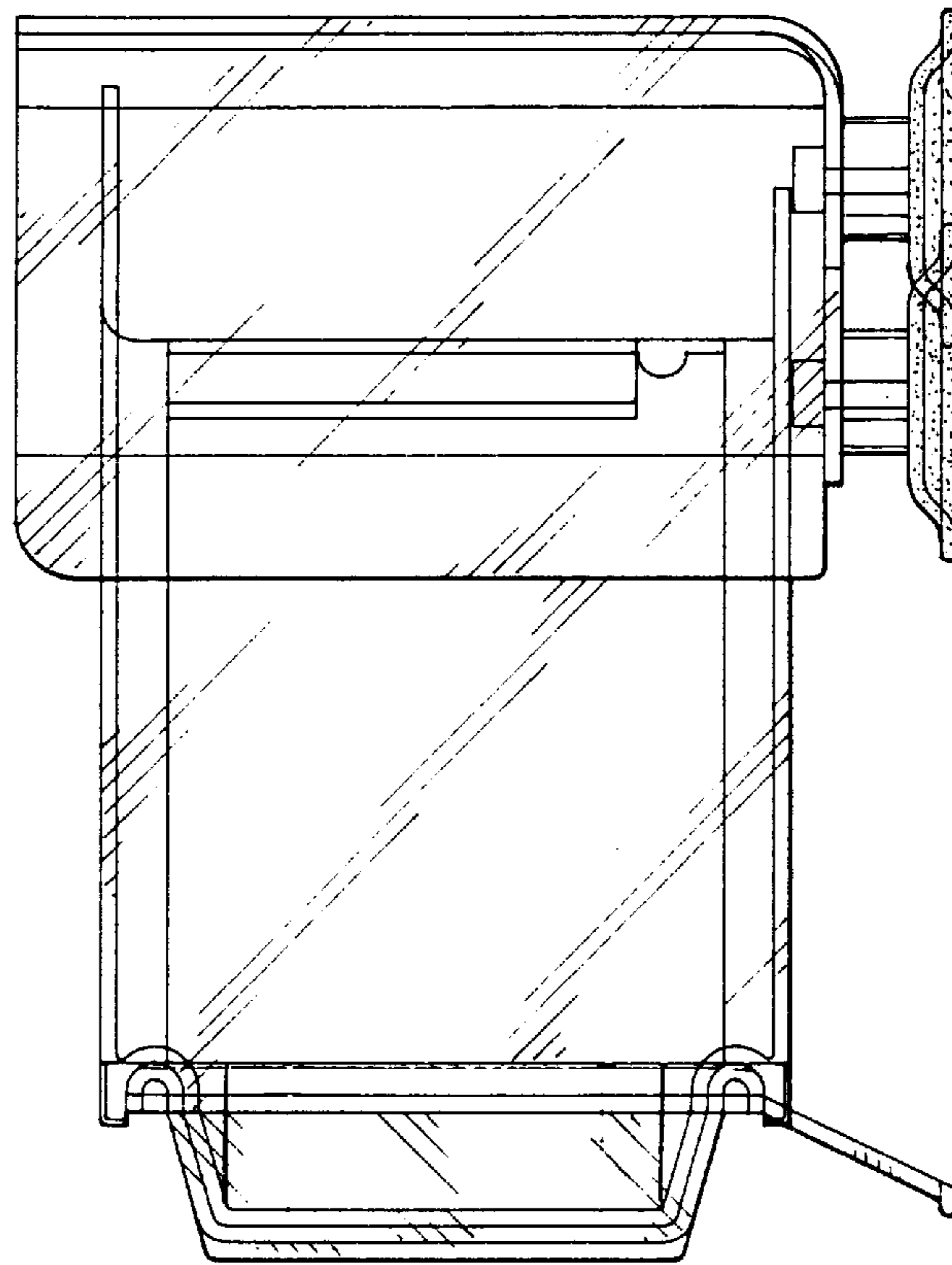


FIG. 5

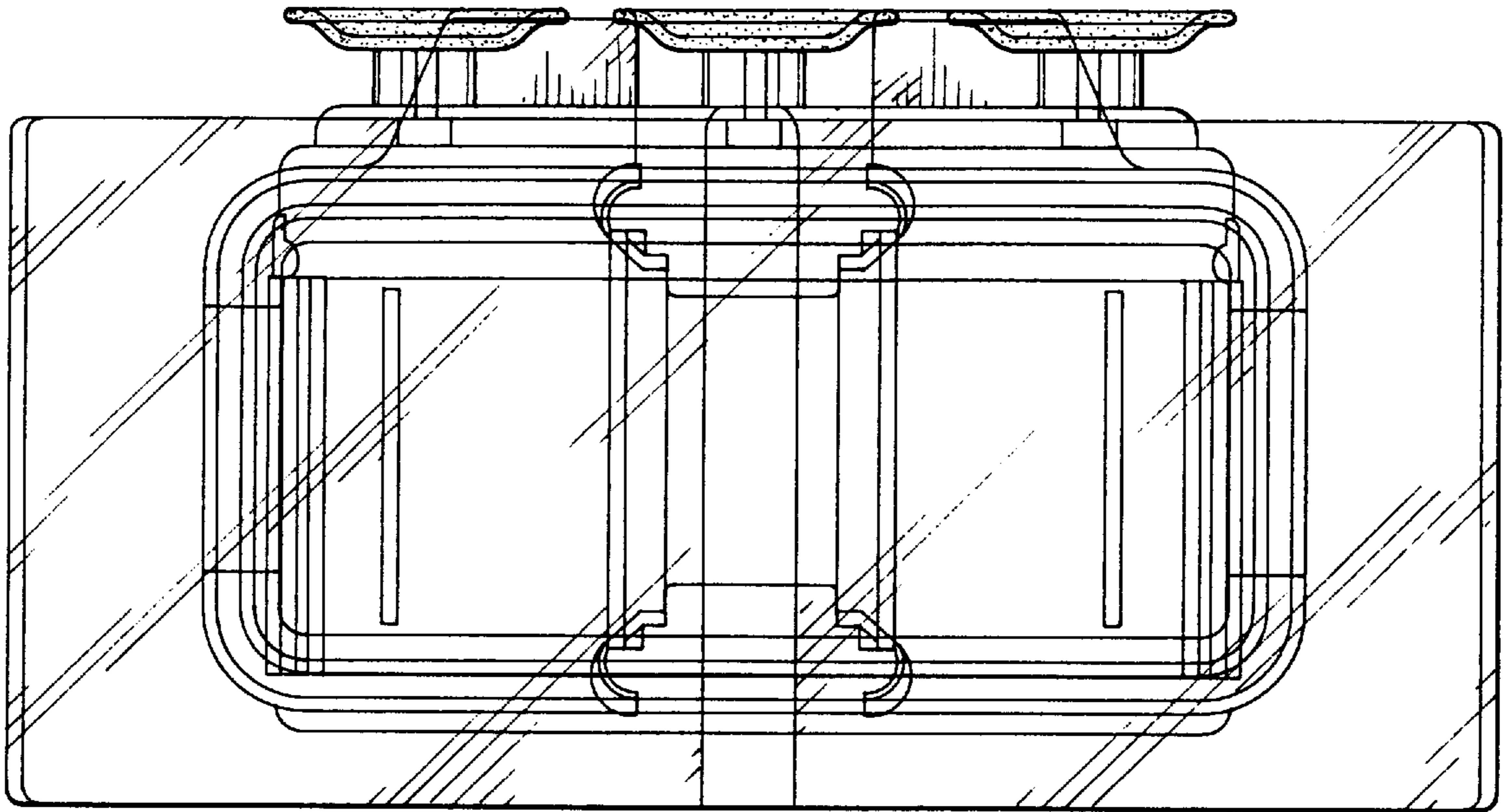


FIG. 6

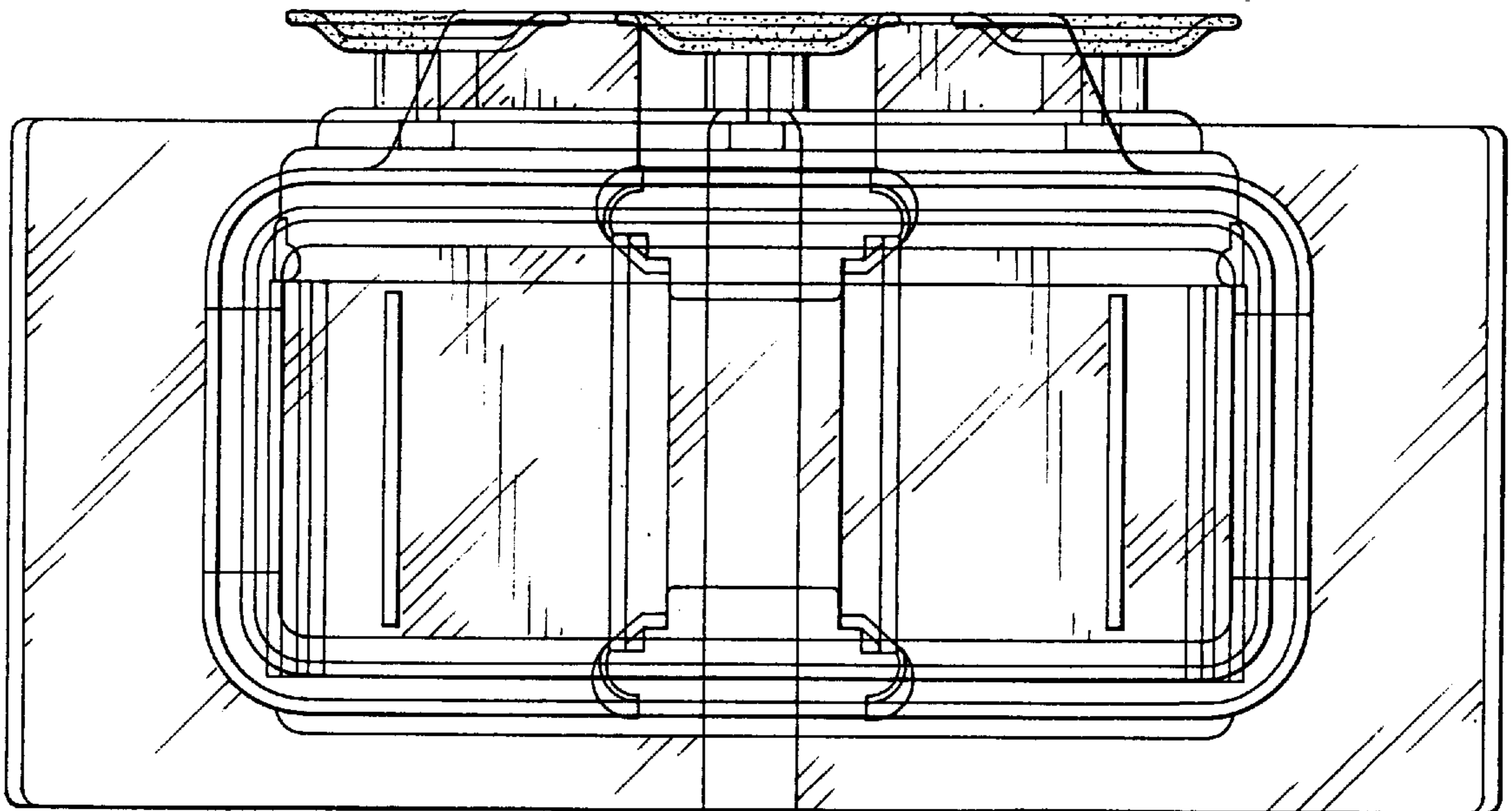


FIG. 7