

US00D407862S

United States Patent [19]
Gasiorek

[11] **Patent Number: Des. 407,862**

[45] **Date of Patent: **Apr. 6, 1999**

[54] **PET BED**

[76] **Inventor: Dorothy Gasiorek, 14501 Empanada, #2902, Houston, Tex. 77083**

[**] **Term: 14 Years**

[21] **Appl. No.: 82,622**

[22] **Filed: Jan. 27, 1998**

[51] **LOC (6) Cl. 30-06**

[52] **U.S. Cl. D30/118; D6/388**

[58] **Field of Search D30/108-118, D30/112, 117; 119/28.5, 496, 482, 484, 502; D6/388**

[56] **References Cited**

U.S. PATENT DOCUMENTS

D. 89,646	4/1933	Larson	D30/118
D. 100,281	7/1936	Norton .	
D. 172,960	9/1954	Frazin	D30/118
D. 189,741	2/1961	Gatov	D6/388
D. 194,783	3/1963	Cliffgard .	
D. 241,357	9/1976	Long .	
D. 246,540	11/1977	Burleson .	
D. 275,912	10/1984	Hydrusko et al.	D6/388
D. 292,758	11/1987	Bethune	D6/388
D. 292,952	12/1987	Mercurio	D6/388
D. 296,596	7/1988	Taylor et al. .	
D. 299,769	2/1989	James .	
D. 316,464	4/1991	Kelley .	
D. 319,271	8/1991	Senitt .	
D. 324,461	3/1992	Soulard	D6/388
D. 328,162	7/1992	Barreto, III et al.	D30/118

D. 336,387	6/1993	Martin	D6/388
D. 338,284	8/1993	Barreto, III et al. .	
D. 340,322	10/1993	Merritt .	
D. 346,246	4/1994	Barreto et al.	D30/118
D. 348,958	7/1994	McLellan	D30/118
D. 358,906	5/1995	Myers .	
D. 360,489	7/1995	Sylor .	
D. 366,736	1/1996	Northrop et al. .	
D. 368,335	3/1996	St. John .	
D. 377,545	1/1997	Iben .	
D. 390,035	2/1998	Suarez	D6/388
5,044,024	9/1991	Del Rose	D6/388
5,184,360	2/1993	Gonzalez	D6/388

Primary Examiner—Cathy Anne MacCormac
Attorney, Agent, or Firm—Joseph N. Breaux

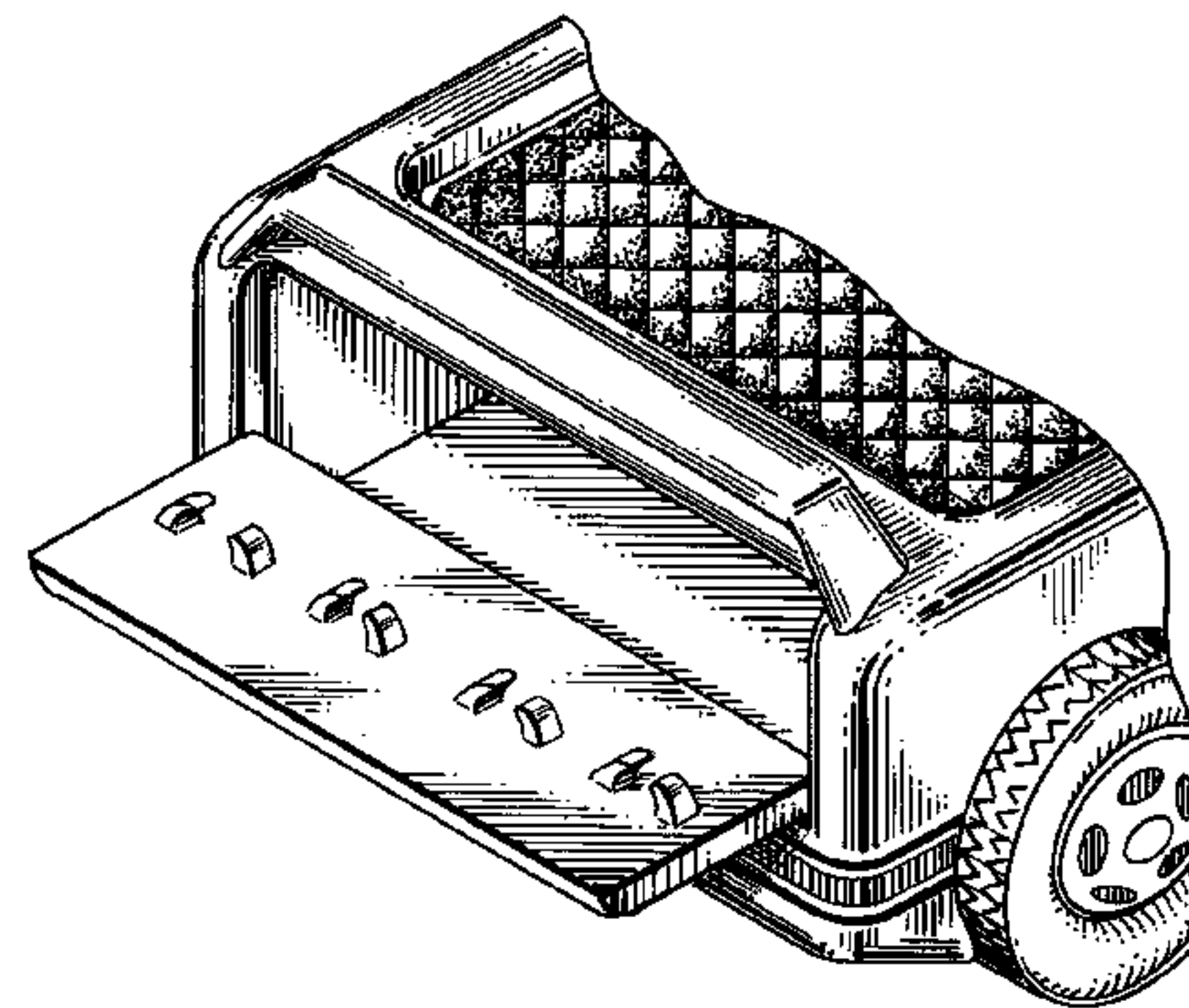
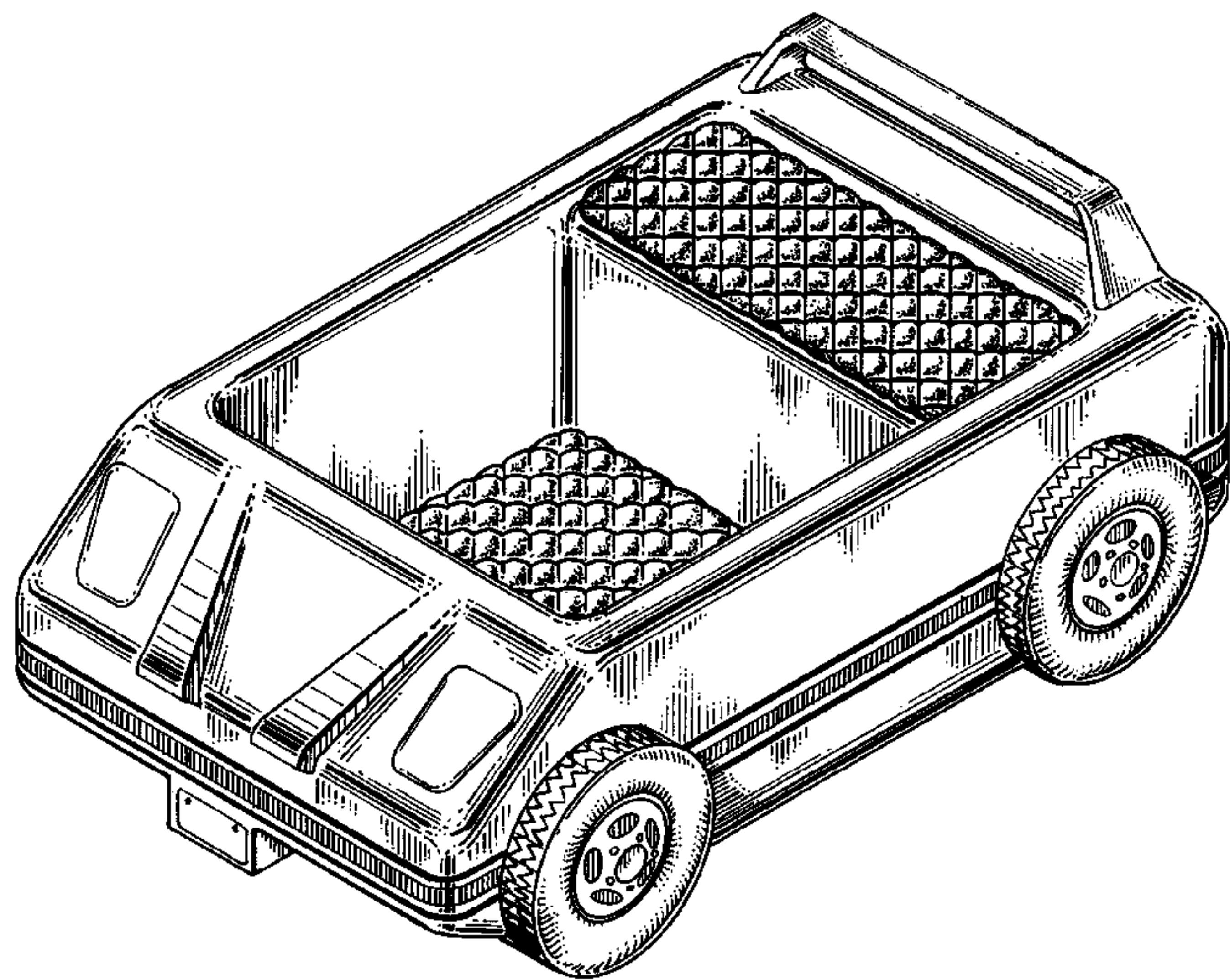
[57] **CLAIM**

I claim the ornamental design for a pet bed, as shown and described.

DESCRIPTION

FIG. 1 is a perspective view of a pet bed showing my new design;
FIG. 2 is a right side elevational view thereof, the left side being a mirror image;
FIG. 3 is a front elevational view thereof;
FIG. 4 is a rear elevational view thereof;
FIG. 5 is a top plan view thereof; and,
FIG. 6 is a perspective view of the rear of the pet bed showing the fold down compartment lid seen in FIG. 4 in open position.
The bottom is plain and unornamented.

1 Claim, 3 Drawing Sheets



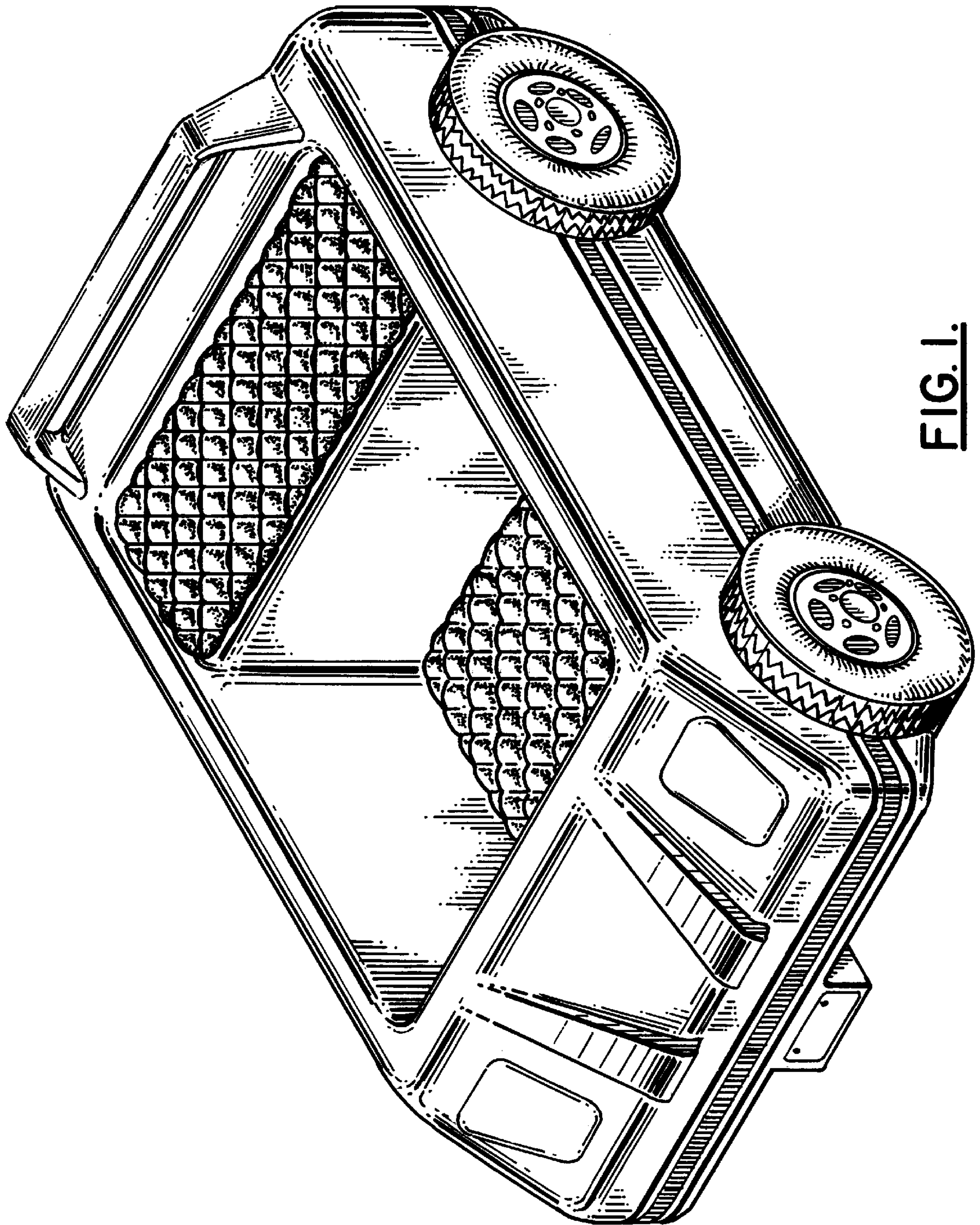


FIG. 1.

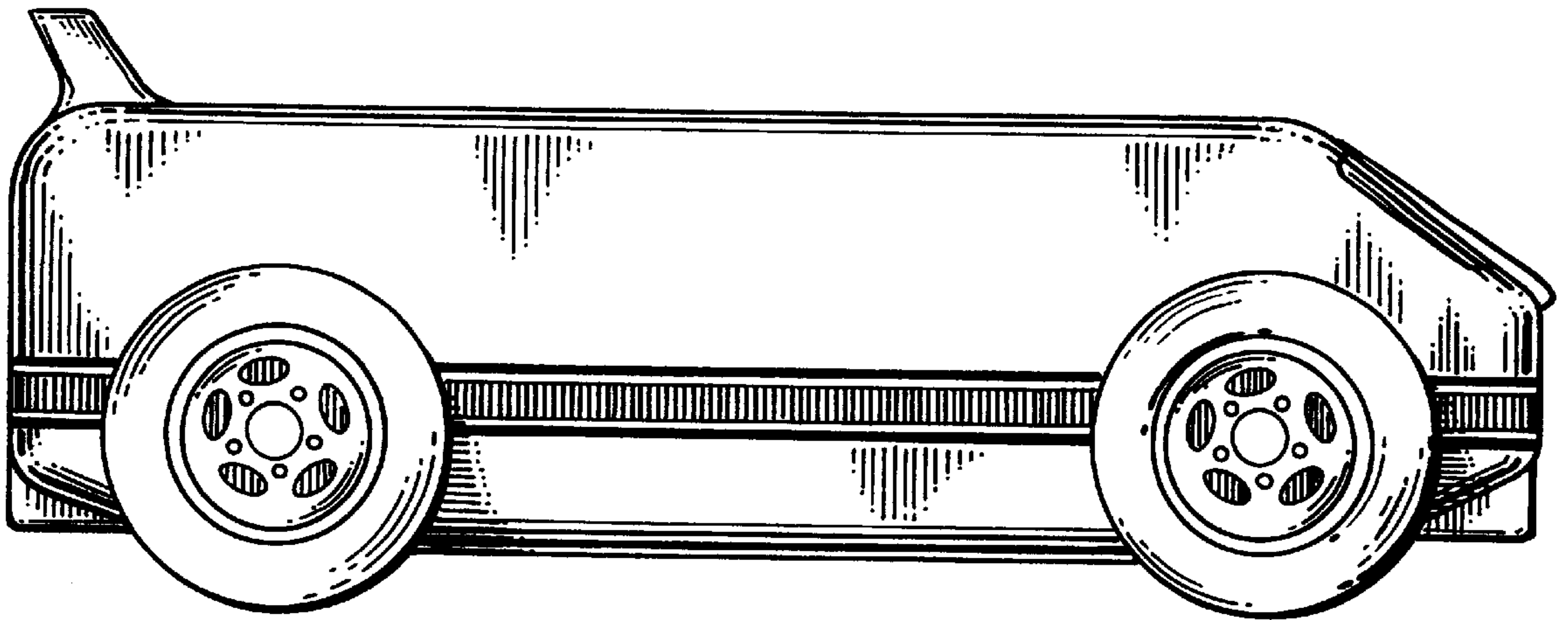


FIG. 2.

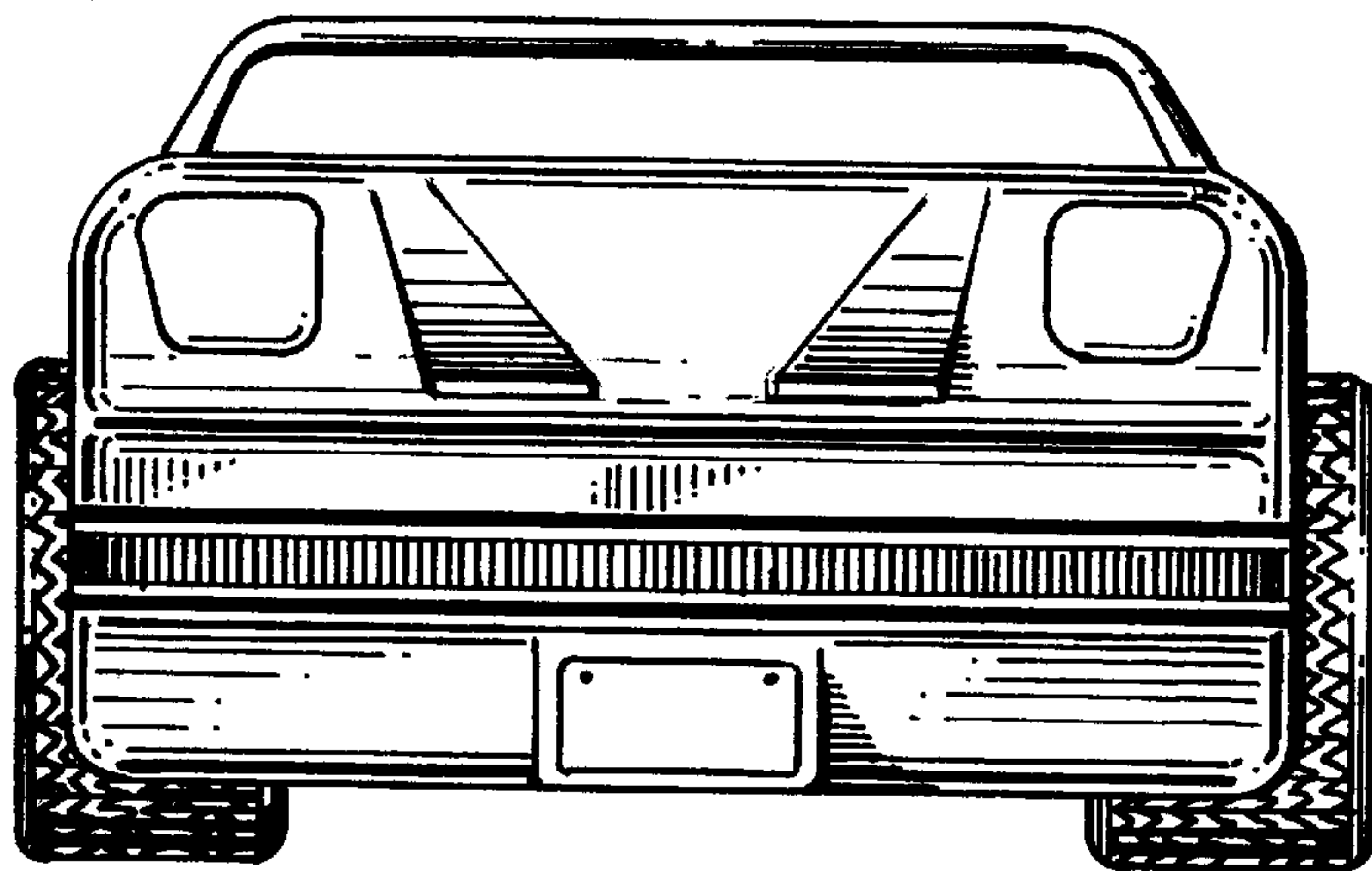


FIG. 3.

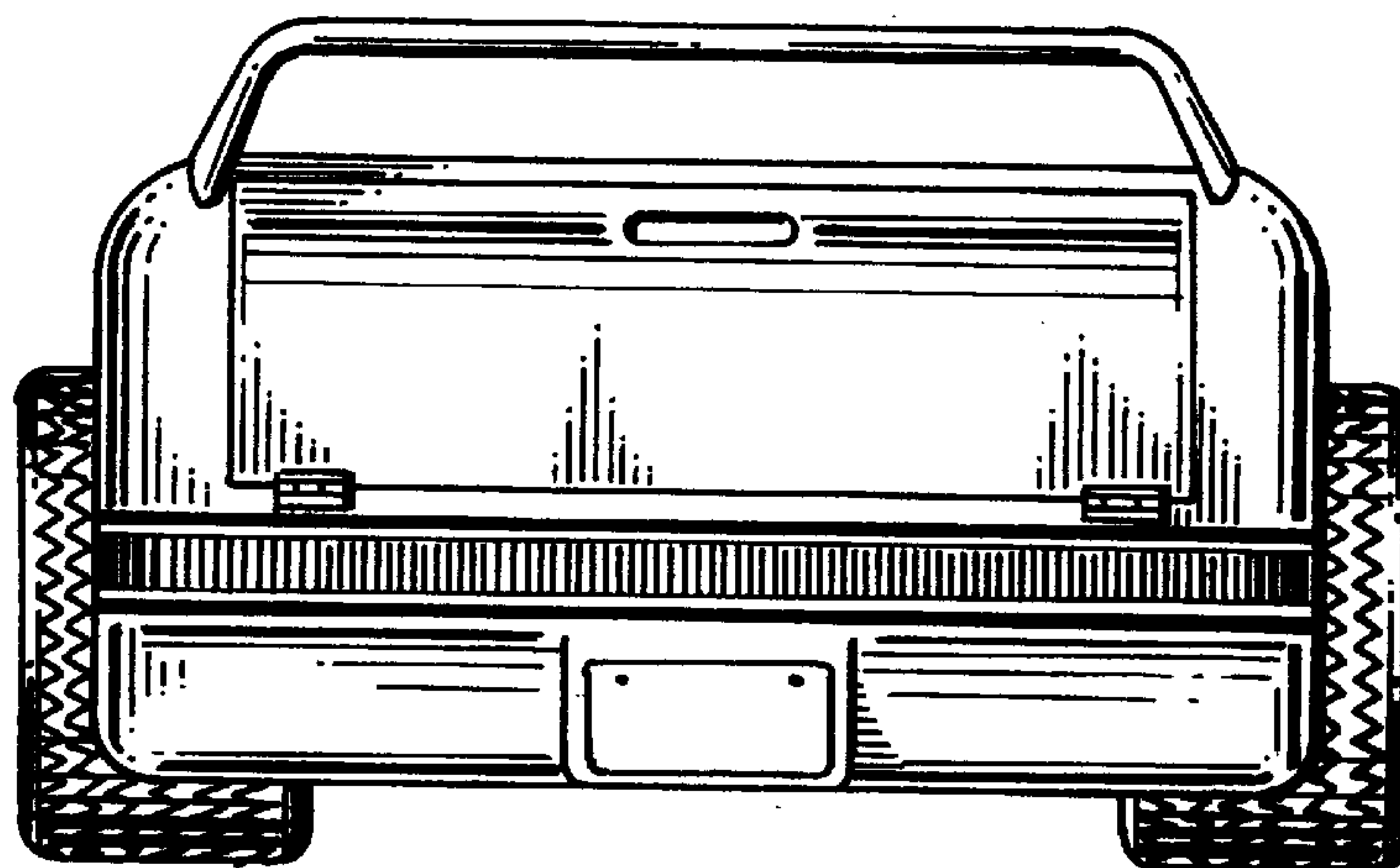


FIG. 4.

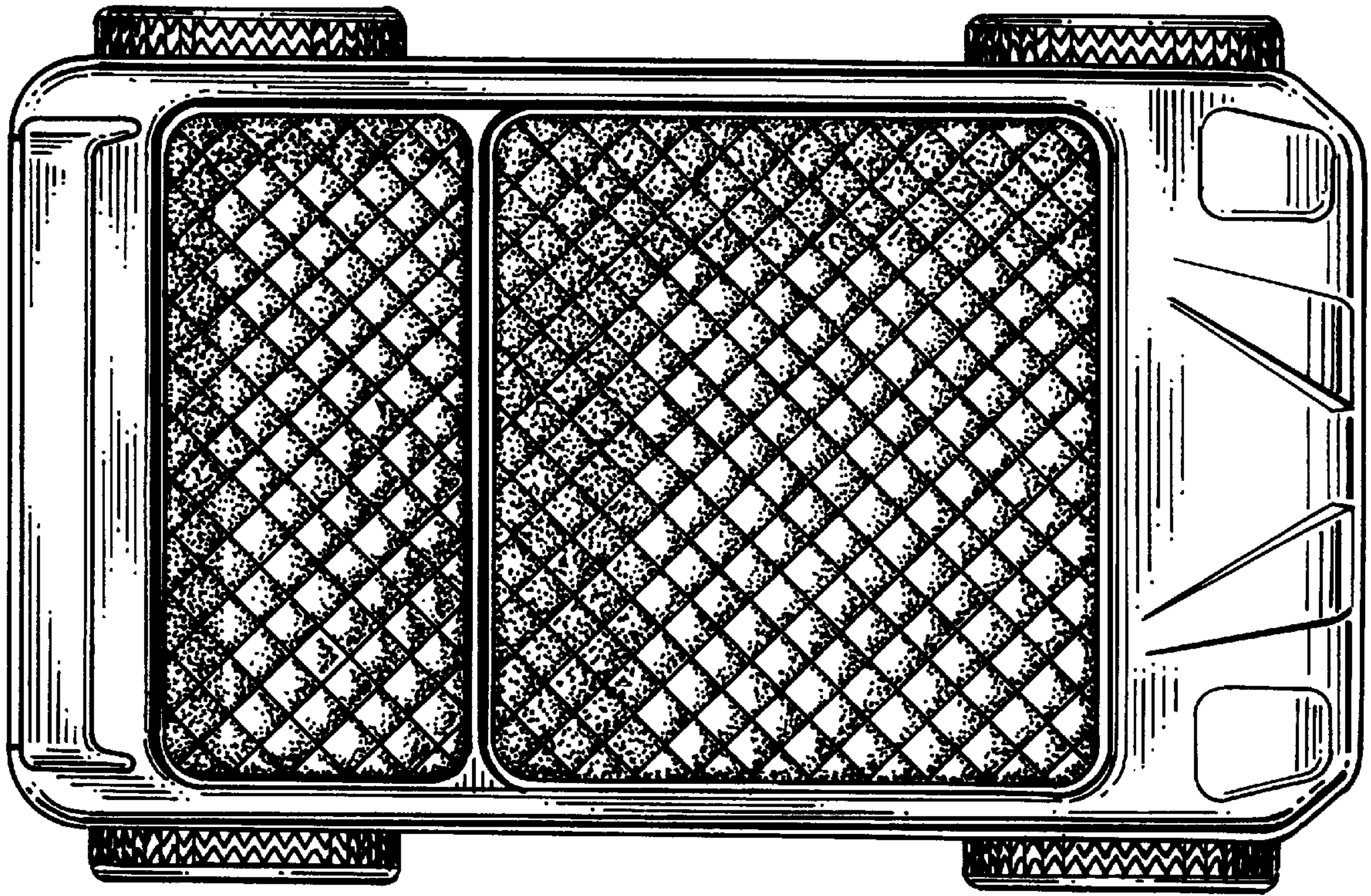


FIG. 5.

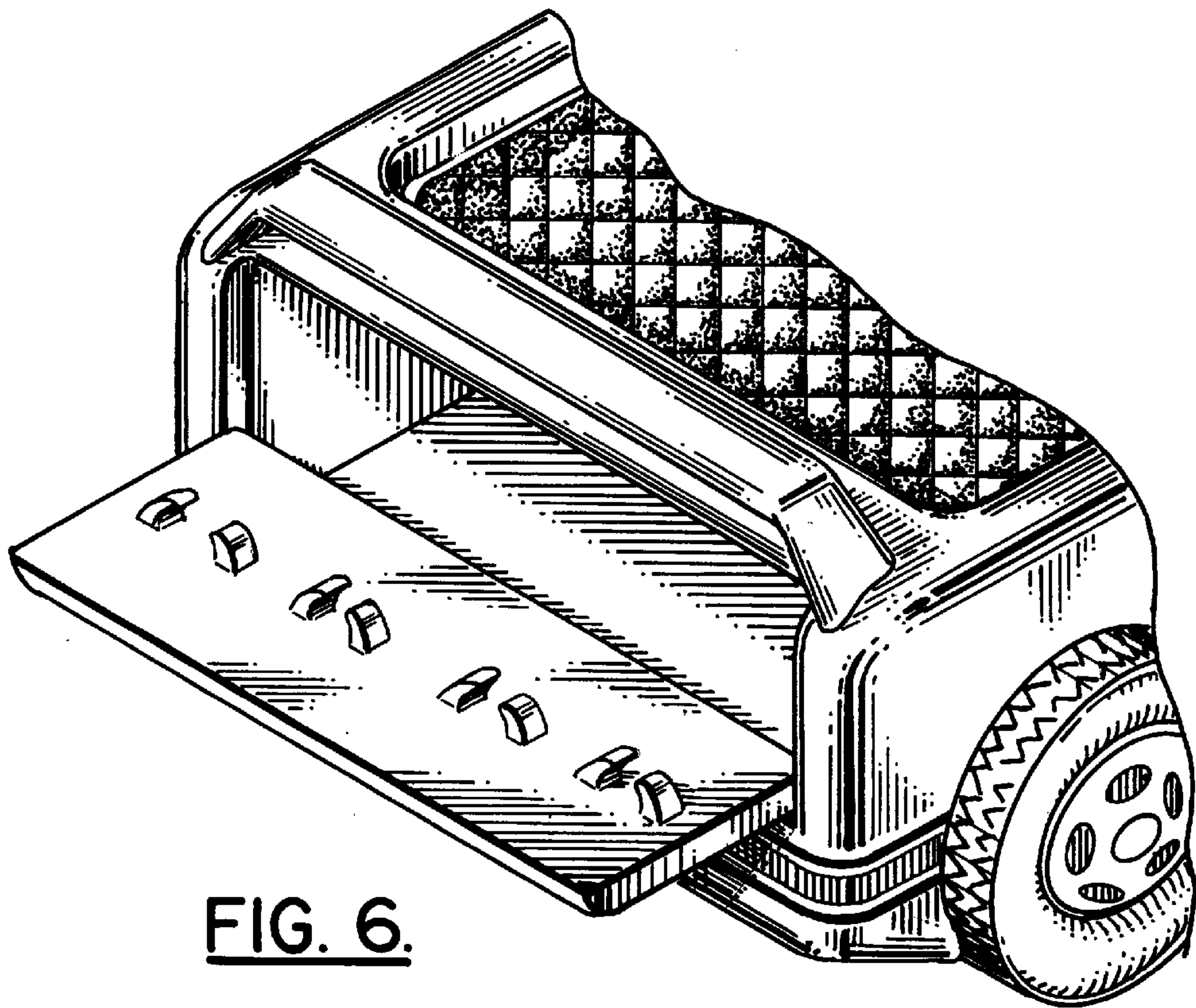


FIG. 6.