

US00D407848S

# United States Patent [19] Celik

[11] Patent Number: Des. 407,848

[45] Date of Patent: \*\*Apr. 6, 1999

[54] **COMBINED HAIR BLOWER AND MOVABLE DIFFUSER PLATE WITH STYLING ELEMENTS**

[76] Inventor: **Cezahir Celik**, 36 Lake Dr., Howell, N.J. 07731

[\*\*] Term: **14 Years**

[21] Appl. No.: **58,289**

[22] Filed: **May 10, 1996**

[51] **LOC (6) Cl.** ..... **28-03**

[52] **U.S. Cl.** ..... **D28/15; D28/13; D28/18**

[58] **Field of Search** ..... **D28/13-18; 132/212, 132/271, 272; 34/96-101; 392/380, 383-385**

[56] **References Cited**

**U.S. PATENT DOCUMENTS**

D. 253,253	10/1979	Rokocy	.....	D28/18 X
D. 259,665	6/1981	Cousins	.....	D28/13
D. 265,136	6/1982	Madl	.....	D28/13
D. 265,137	6/1982	Long	.....	D28/13
D. 286,924	11/1986	Muller	.....	D28/13
D. 349,585	8/1994	Rizzuto, Jr.	.....	D28/13
5,488,783	2/1996	Parkinson	.....	34/98

**OTHER PUBLICATIONS**

Hong Kong Enterprise Jun. 1991, p. 187: H4 with diffuser.

*Primary Examiner*—Ted Shooman

*Assistant Examiner*—C Tuttle

*Attorney, Agent, or Firm*—Patrick J. Pinto

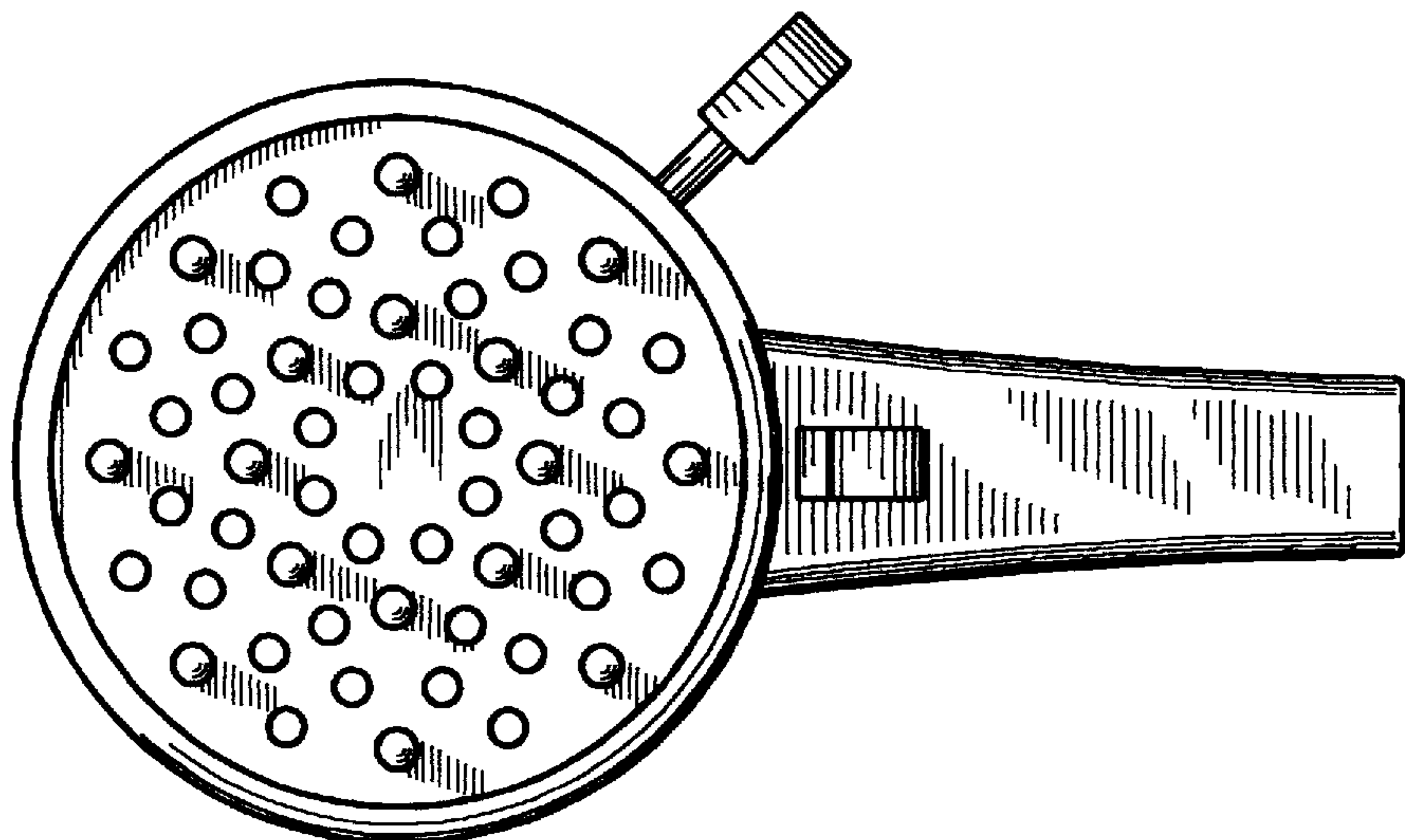
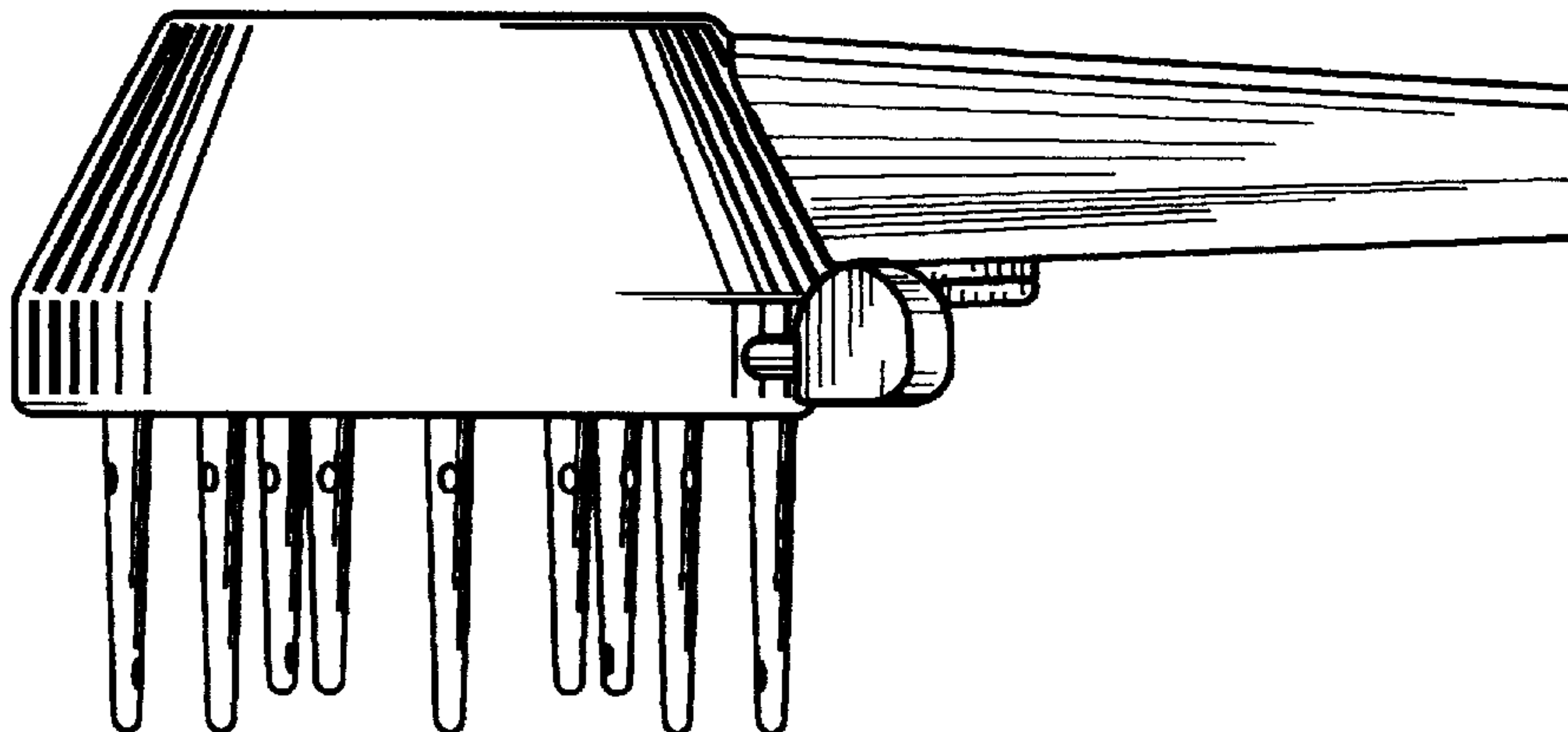
[57] **CLAIM**

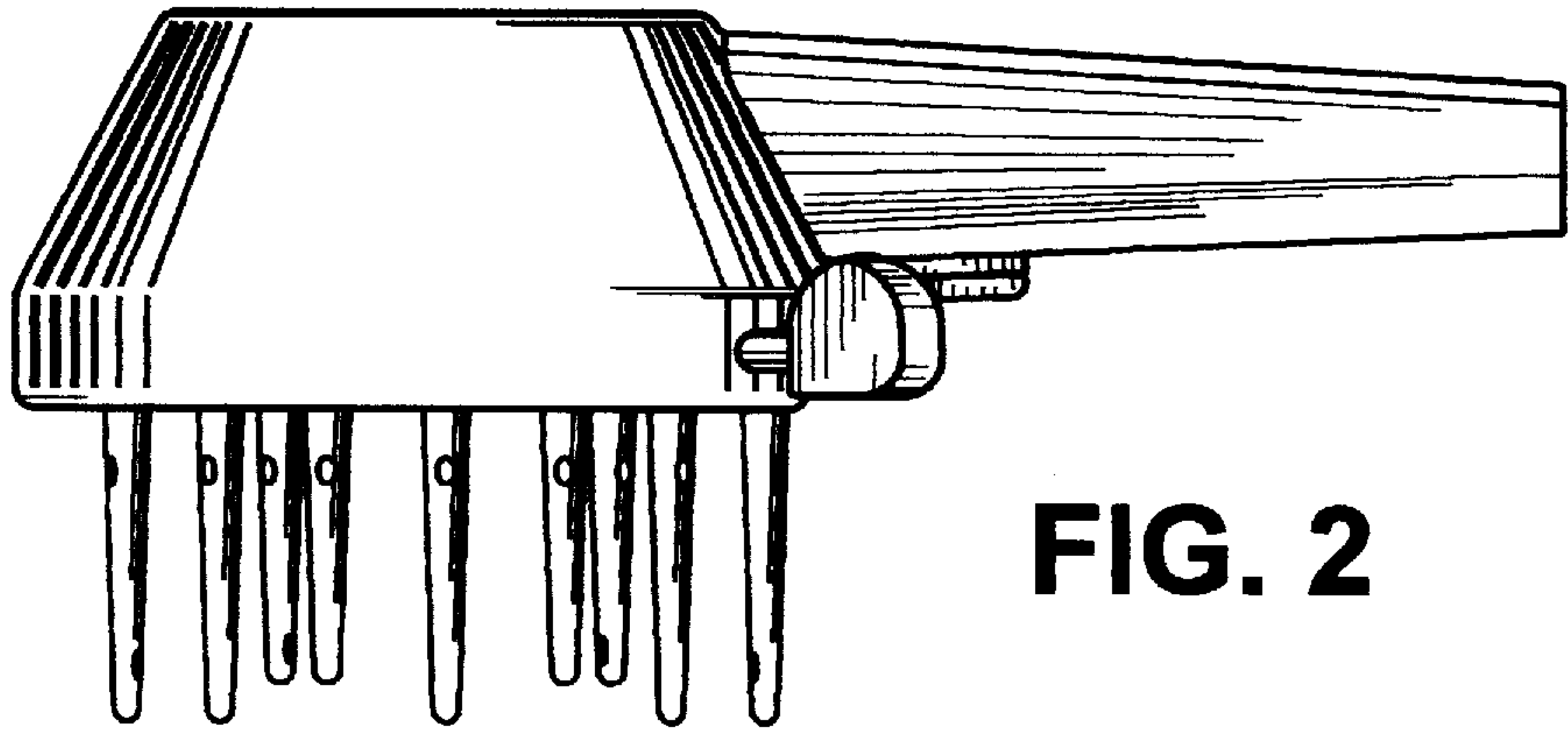
The ornamental design for a combined hair blower and movable diffuser plate with styling elements, as shown and described.

**DESCRIPTION**

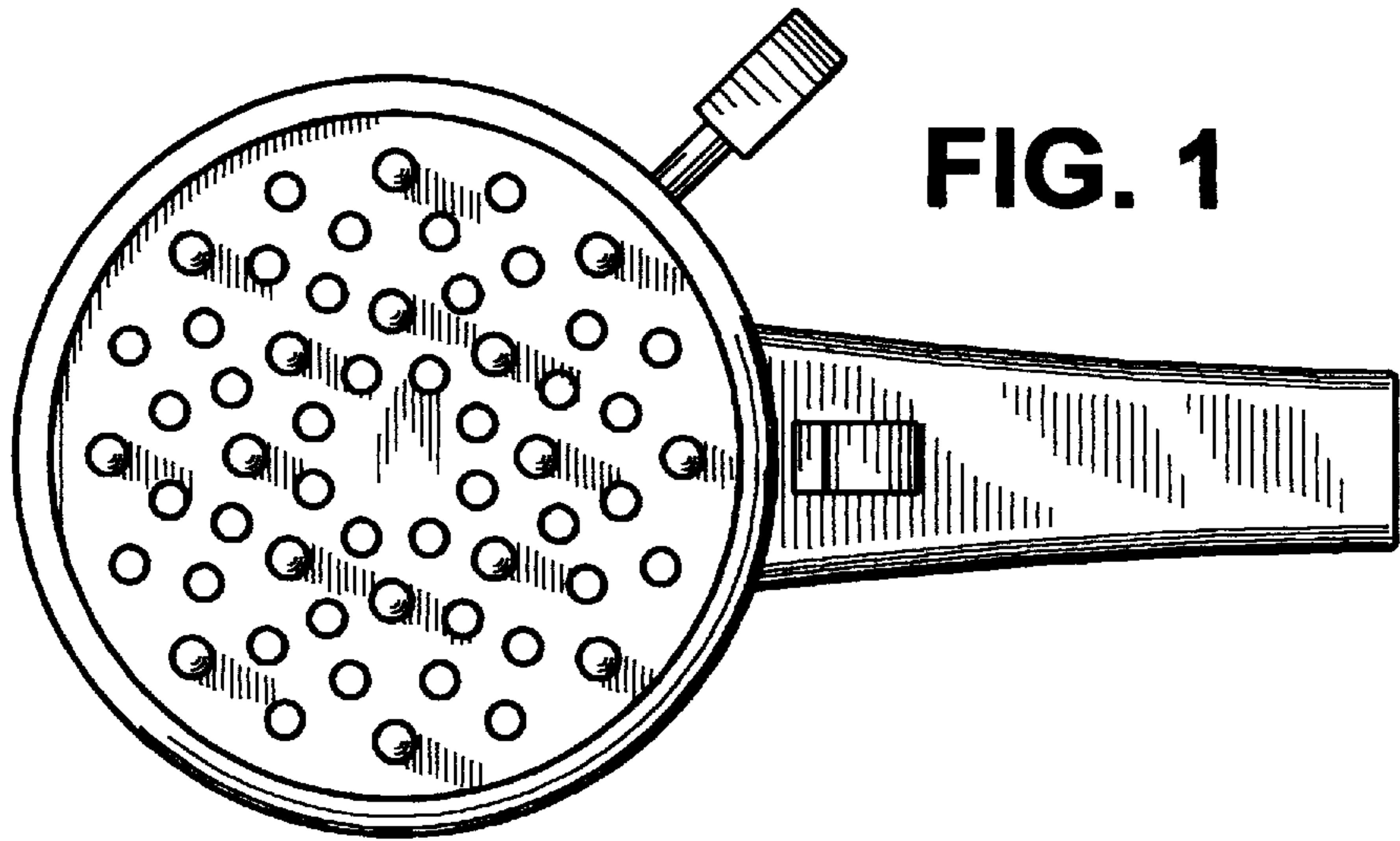
FIG. 1 is a front elevational view of a combined hair blower and movable diffuser plate with styling elements, showing my new design; a side handle attached to the movable diffuser plate being shown in a first position; FIG. 2 is a top plan view thereof; FIG. 3 is a bottom plan view thereof; FIG. 4 is a rear elevational view thereof; FIG. 5 is a left side elevation view thereof; FIG. 6 is a right side elevation view thereof; and, FIG. 7 is a plan view taken in the direction of FIG. 1 showing the side handle after manipulation to a second position.

**1 Claim, 3 Drawing Sheets**

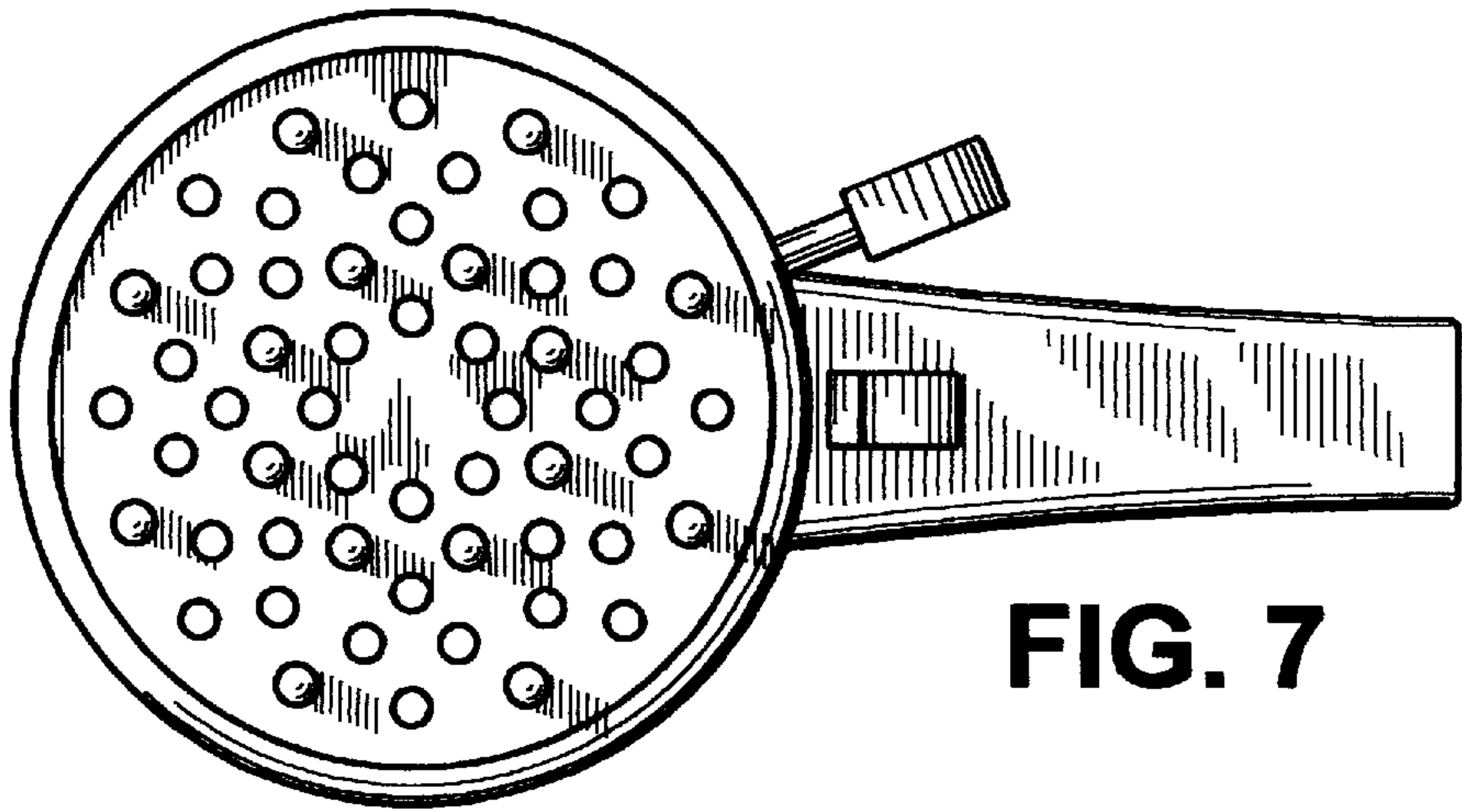




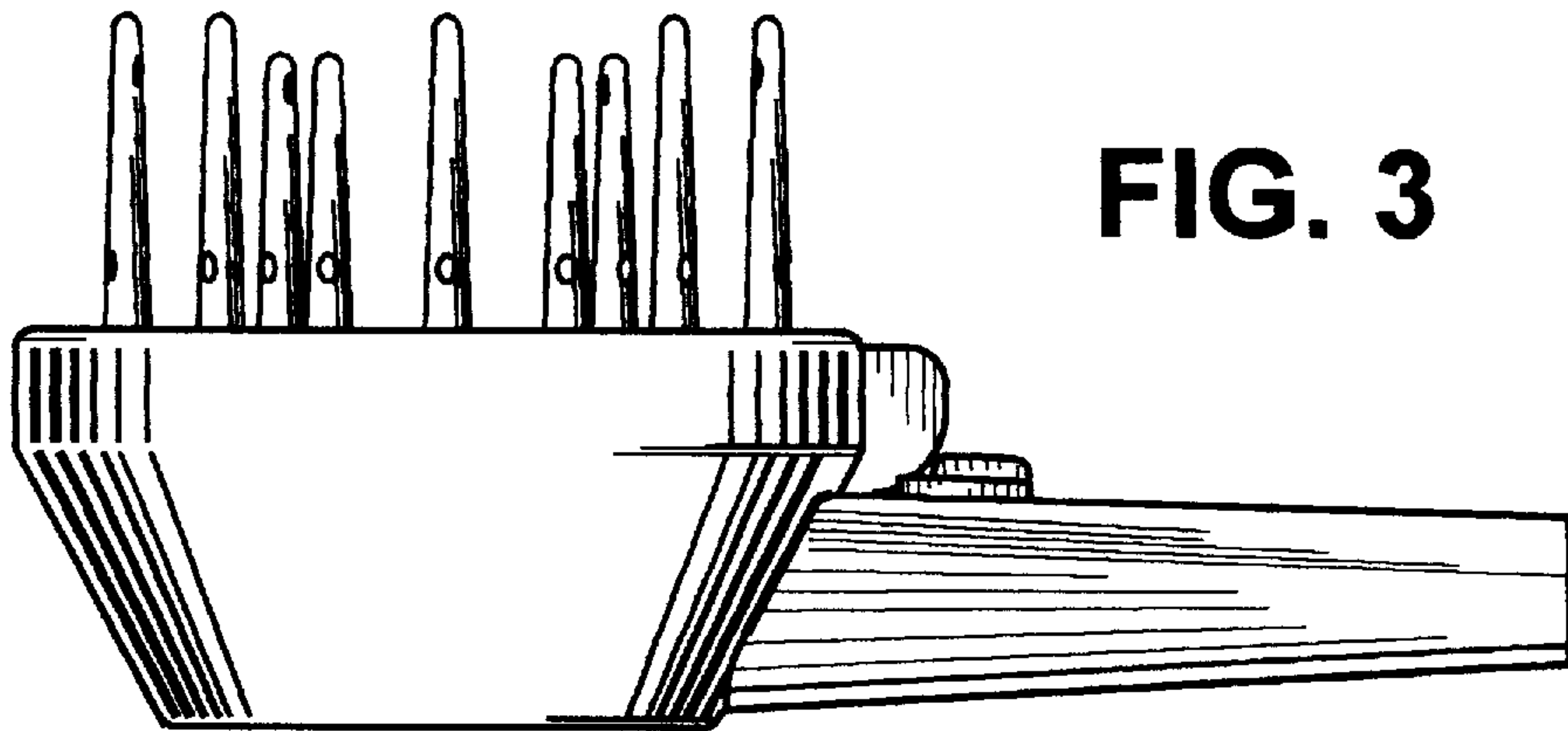
**FIG. 2**



**FIG. 1**

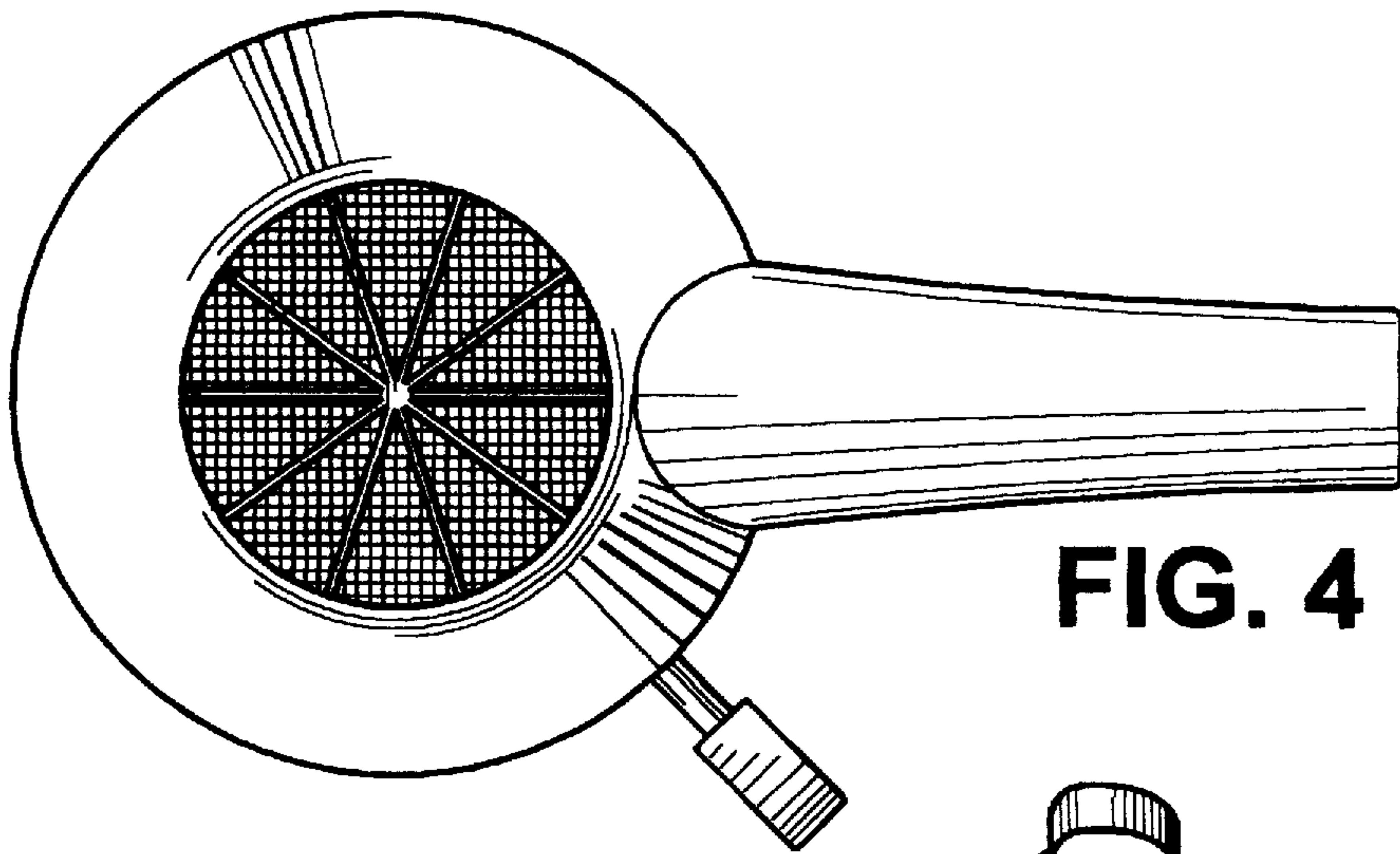
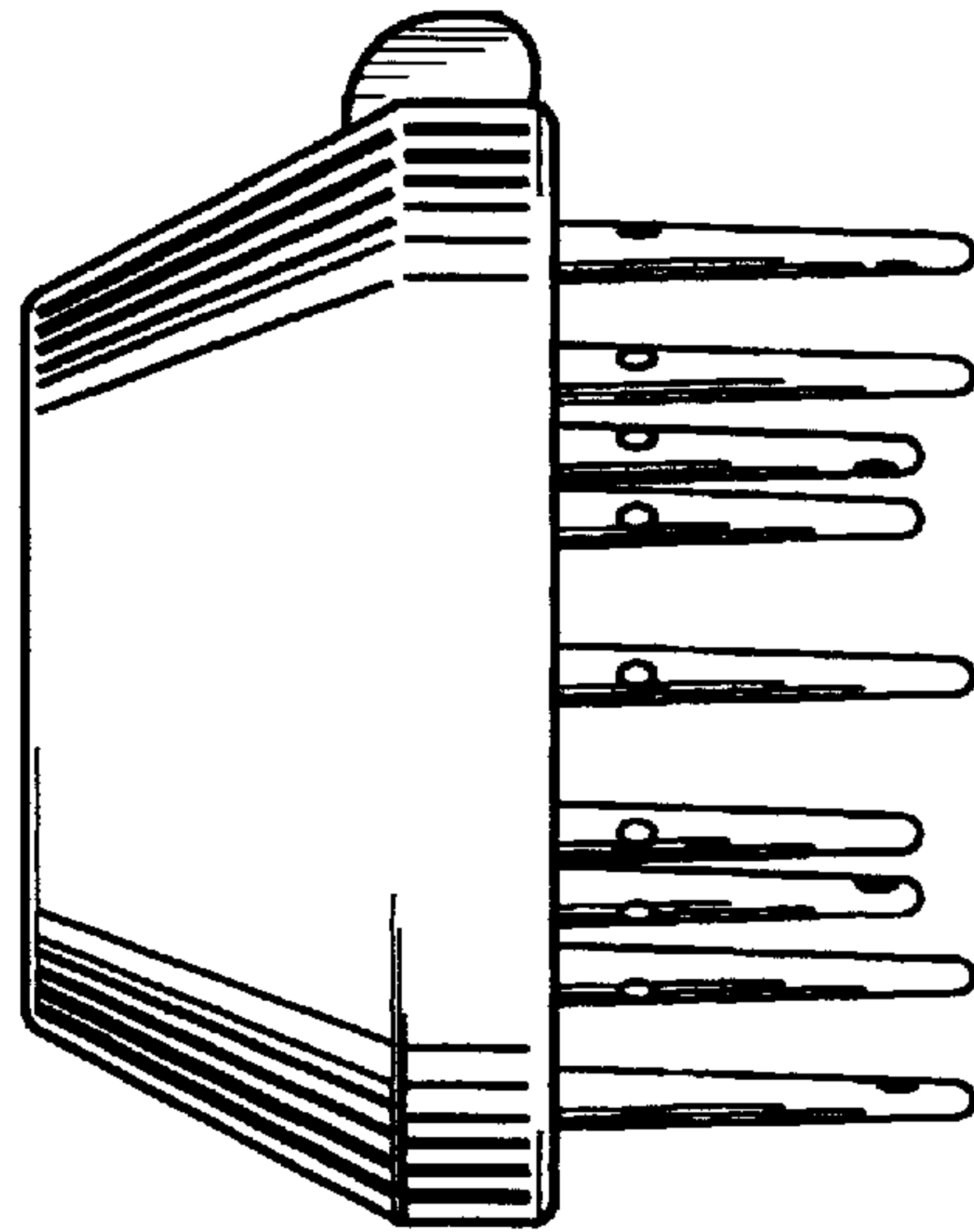


**FIG. 7**



**FIG. 3**

**FIG. 5**



**FIG. 4**

**FIG. 6**

