



US00D407846S

United States Patent [19] Morrison et al.

[11] **Patent Number: Des. 407,846**

[45] **Date of Patent: **Apr. 6, 1999**

[54] **HAIR TREATMENT DEVICE**

5,535,764 7/1996 Abramson 132/222 X

[75] Inventors: **Richard Q. Morrison; Angus S.P. Mitchell**, both of Pacific Palisades; **Jeff Ruch**, Laguna Beach, all of Calif.

FOREIGN PATENT DOCUMENTS

126618 11/1984 European Pat. Off. 132/222
136896 4/1985 European Pat. Off. 132/270
421767 5/1948 Italy 132/222
441584 1/1936 United Kingdom 132/246

[73] Assignee: **Foil Concepts**, Pacific Palisades, Calif.

[**] Term: **14 Years**

Primary Examiner—Ted Shooman
Assistant Examiner—C. Tuttle
Attorney, Agent, or Firm—Blackwell Sanders Peper Martin

[21] Appl. No.: **54,392**

[22] Filed: **May 14, 1996**

[57] CLAIM

[51] **LOC (6) Cl.** **28-03**

The ornamental design for a hair treatment device, as shown and described.

[52] **U.S. Cl.** **D28/10**

[58] **Field of Search** D28/7, 9, 10, 20;
132/202-5, 207-209, 212, 270

DESCRIPTION

[56] References Cited

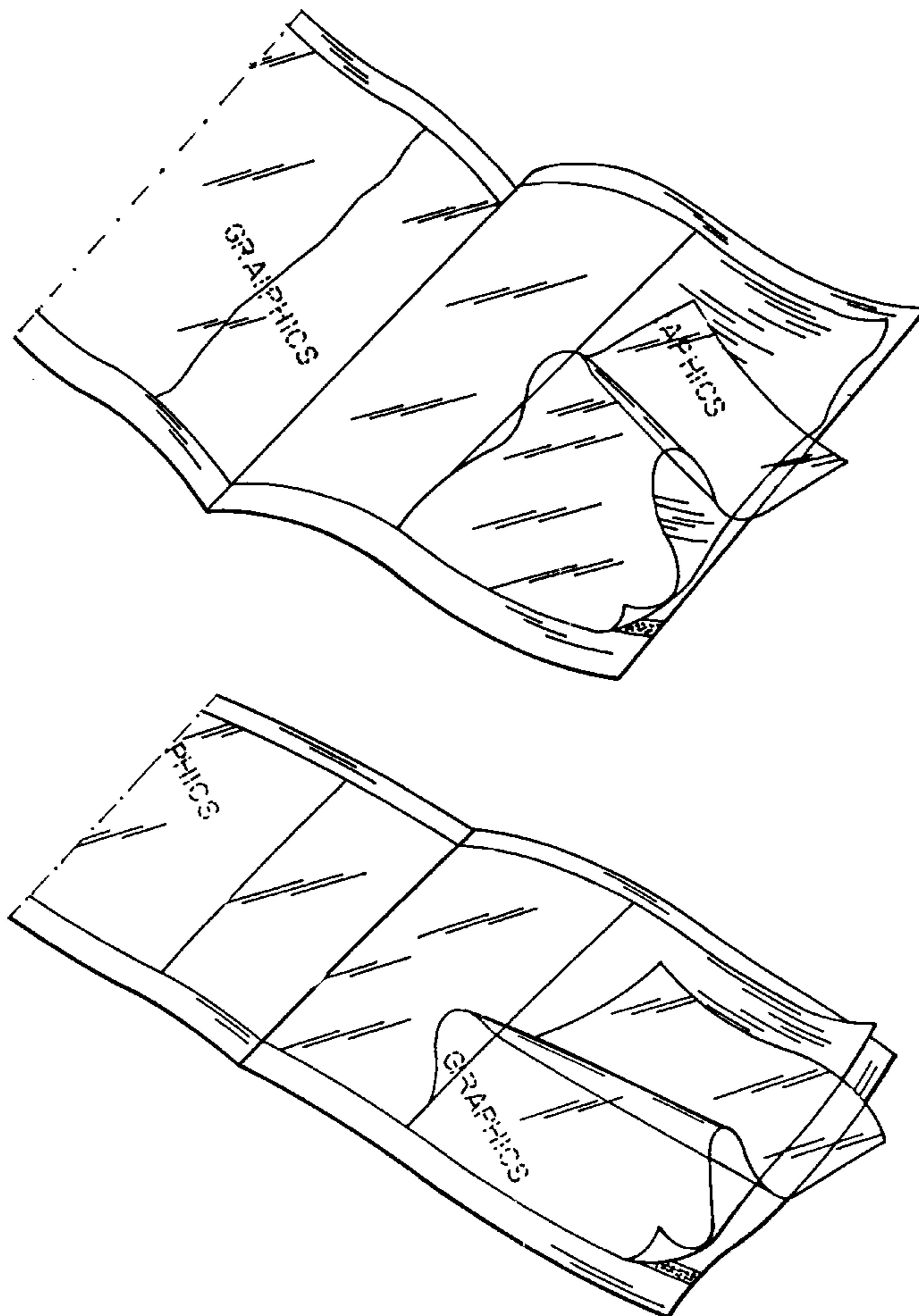
U.S. PATENT DOCUMENTS

2,132,681 10/1938 Davis et al. 132/222 X
2,173,269 9/1939 Brown 132/222 X
2,602,459 7/1952 Gudat 132/248
4,196,741 4/1980 Minghenelli 132/222 X
4,298,014 11/1981 MacLennan 132/270
5,056,538 10/1991 Matula 132/208
5,056,539 10/1991 Abramson 132/270
5,456,963 10/1995 Bettanny 132/210 X

FIG. 1 is a top perspective view of a hair treatment device showing my new design;
FIG. 2 is a bottom perspective view thereof;
FIG. 3 is a top perspective view of a second embodiment of the design shown in FIG. 1; and,
FIG. 4 is a bottom perspective view thereof.

The broken lines which defines the bounds of the claimed design forms no part thereof. The broken lines showing the indicia are for illustrative purposes only and form no part of the claimed design.

1 Claim, 2 Drawing Sheets



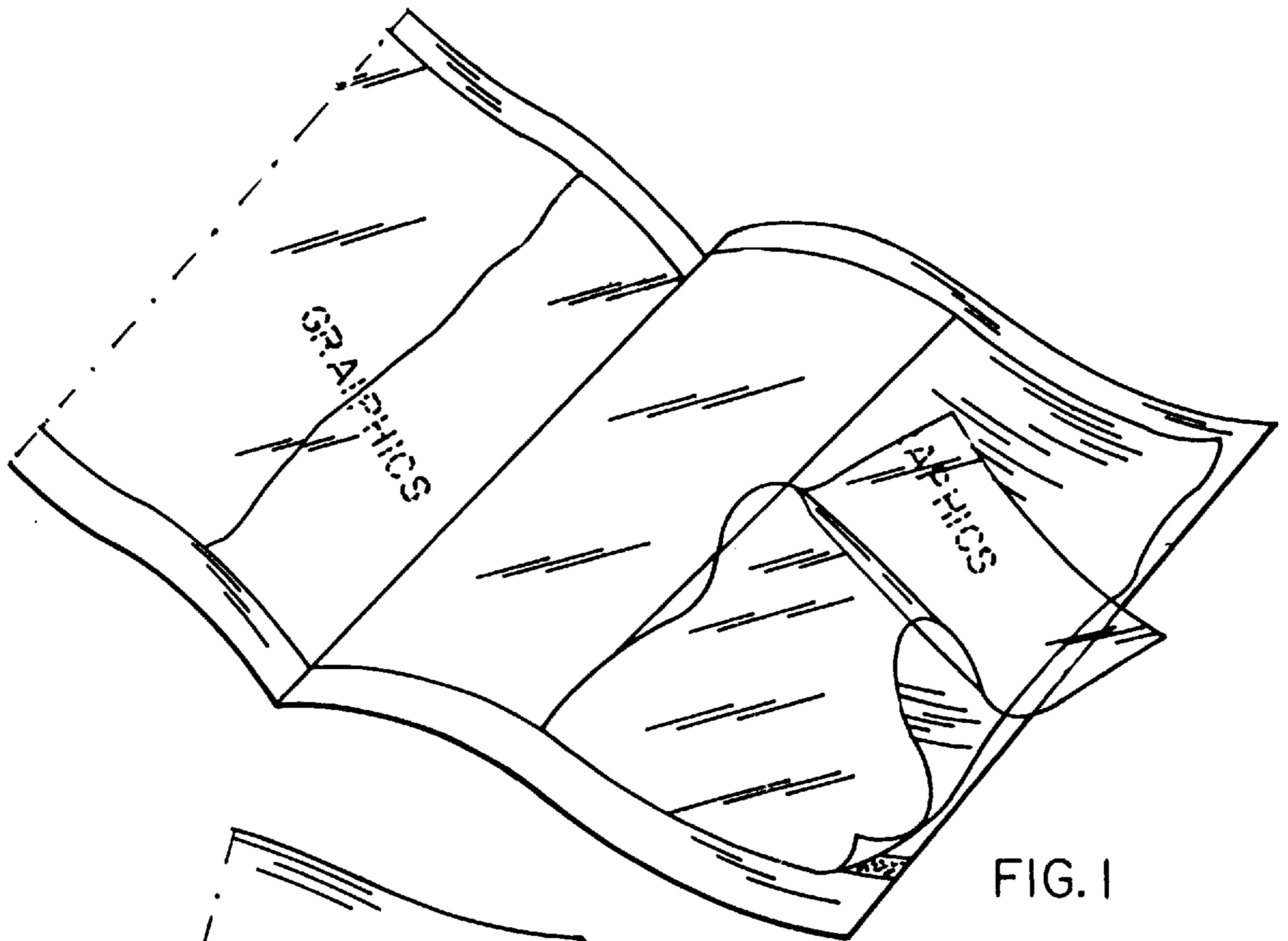


FIG. 1

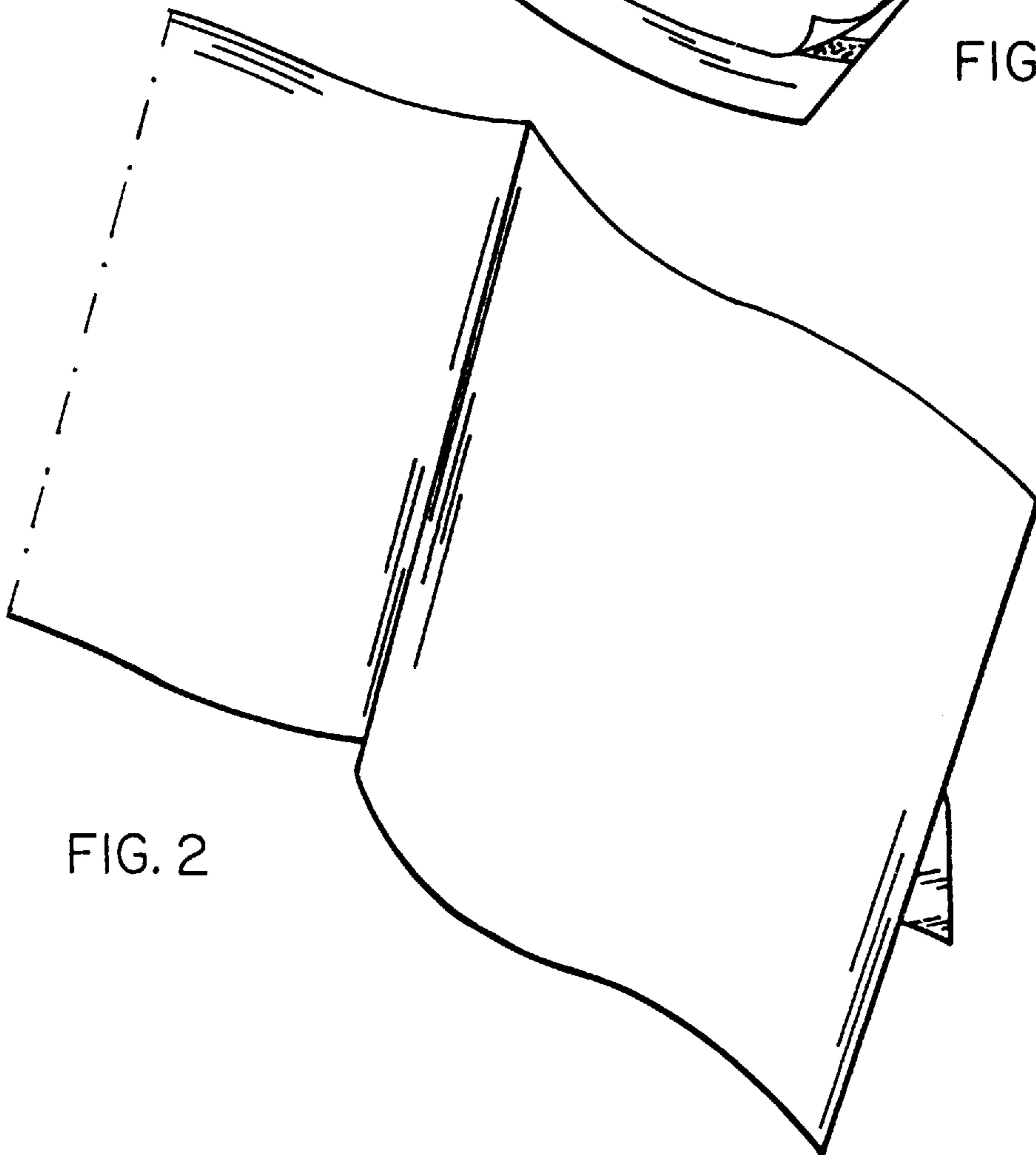


FIG. 2

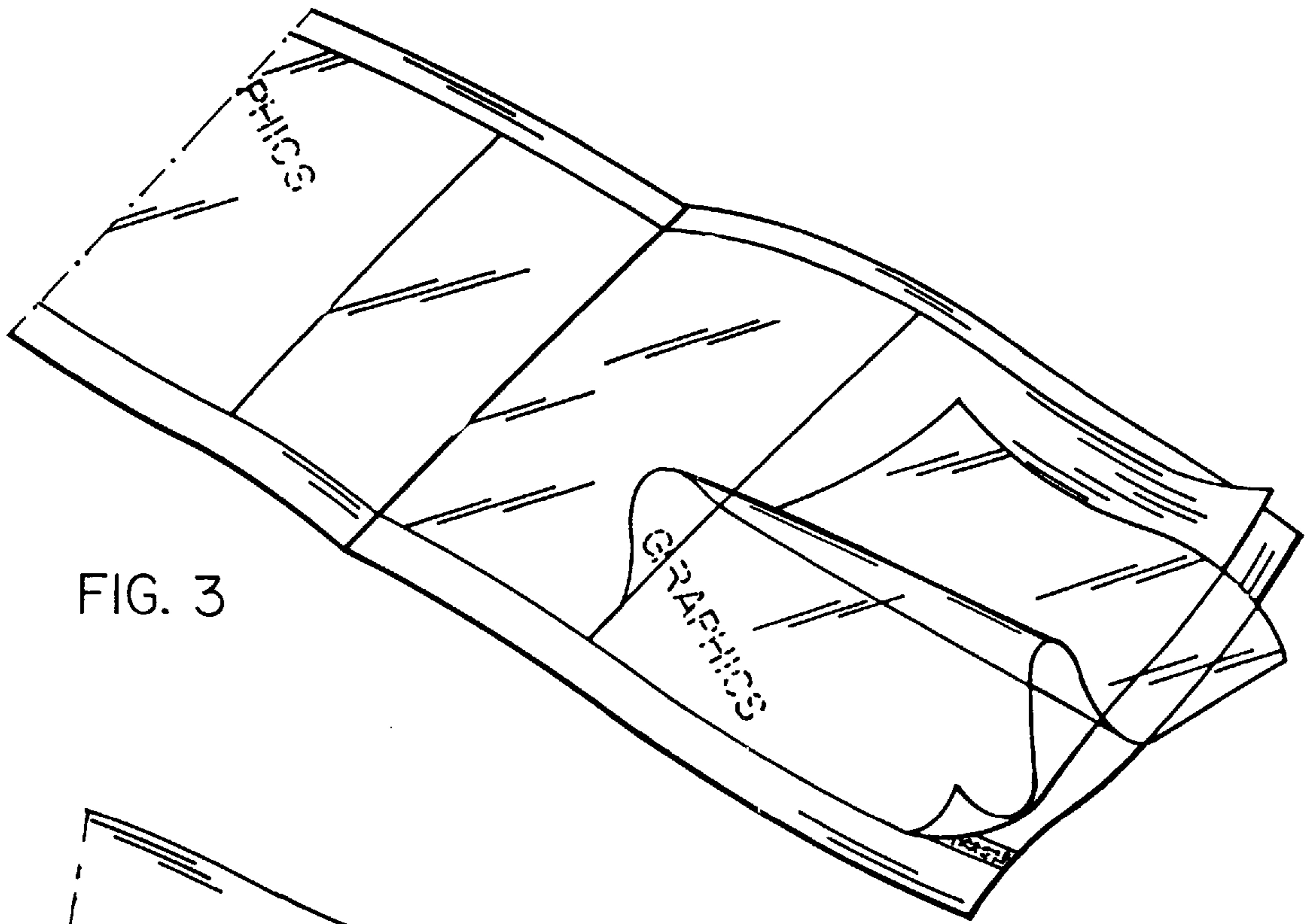


FIG. 3

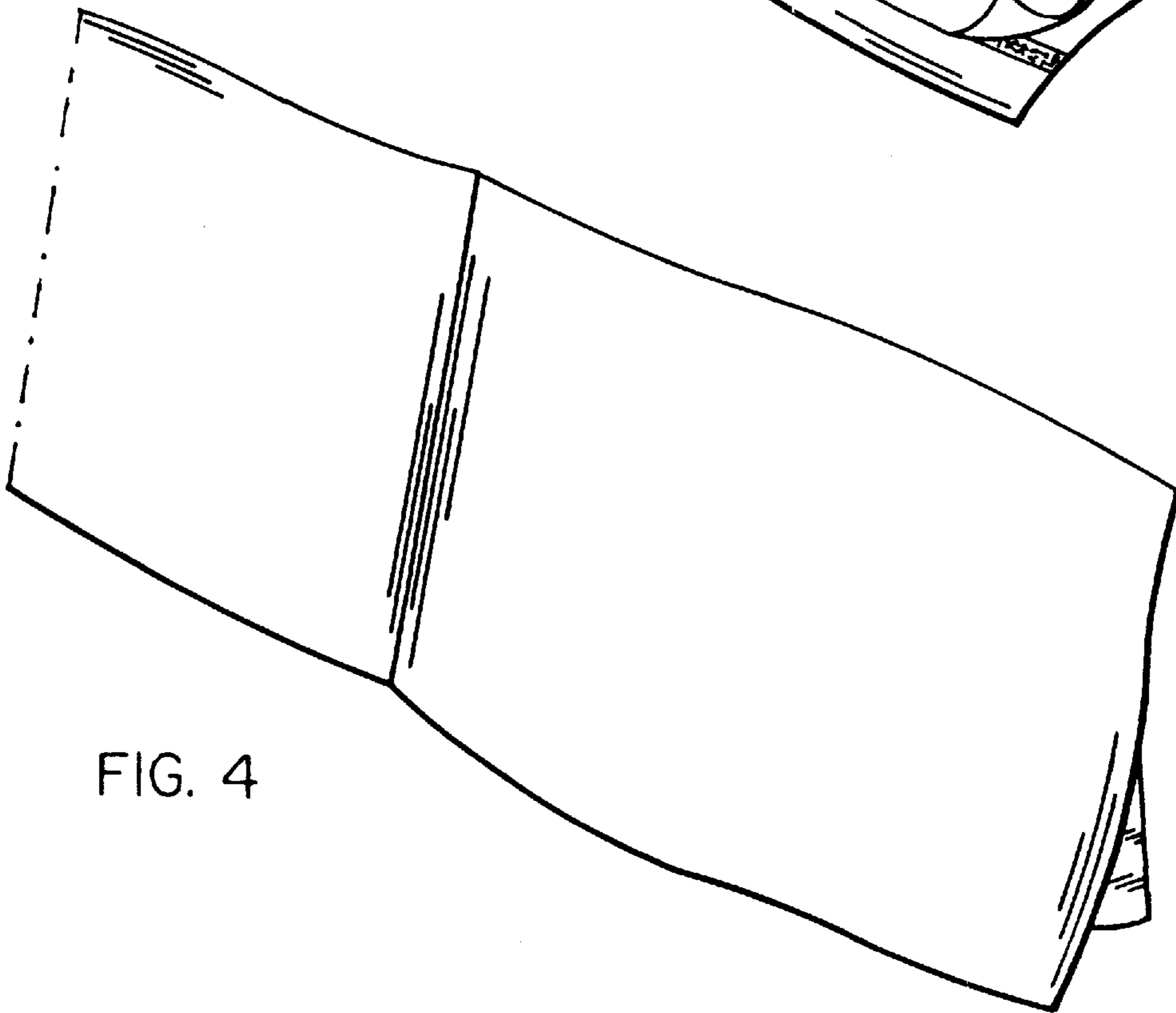


FIG. 4