



US00D407843S

United States Patent [19]

Leen

[11] **Patent Number: Des. 407,843**

[45] **Date of Patent: ***Apr. 6, 1999**

[54] **MERCURY VAPOR LIGHT BASE FOR EXTERIOR LIGHTING FIXTURE**

[76] Inventor: **Monte A. Leen**, 1804 W. Lake Sammamish Pkwy. NE., Bellevue, Wash. 98008

[*] Notice: The portion of the term of this patent subsequent to Nov. 10, 2012, has been disclaimed.

[**] Term: **14 Years**

[21] Appl. No.: **67,739**

[22] Filed: **Mar. 11, 1997**

[51] **LOC (6) Cl. 26-03**

[52] **U.S. Cl. D26/71**

[58] **Field of Search** D26/24, 67-70, D26/72, 87, 92, 142; 362/147, 153, 362, 431, 432

[56] **References Cited**

U.S. PATENT DOCUMENTS

D. 184,007 12/1958 Corwin D26/71

D. 313,483	1/1991	Blake	D26/71
D. 329,714	9/1992	McIngvale, Jr.	D26/71
D. 358,226	5/1995	Osteen et al.	D26/71
4,595,971	6/1986	Dean	362/431 X
4,905,132	2/1990	Singarayar et al.	362/431 X

Primary Examiner—Susan J. Lucas
Attorney, Agent, or Firm—Christensen, O'Connor, Johnson & Kindness PLLC

[57] **CLAIM**

The ornamental design for a mercury vapor light base for exterior lighting fixture, as shown and described.

DESCRIPTION

FIG. 1 is a top isometric view of a mercury vapor light base for exterior lighting fixture showing my new design; FIG. 2 is a bottom isometric view thereof; FIG. 3 is a top plan view thereof; FIG. 4 is a bottom plan view thereof; FIG. 5 is a back elevational view thereof; FIG. 6 is a front elevational view thereof; and, FIG. 7 is a side elevational view thereof with other elements of a mercury vapor light shown in phantom for illustrative purposes only and forming no part of the claimed design.

1 Claim, 4 Drawing Sheets

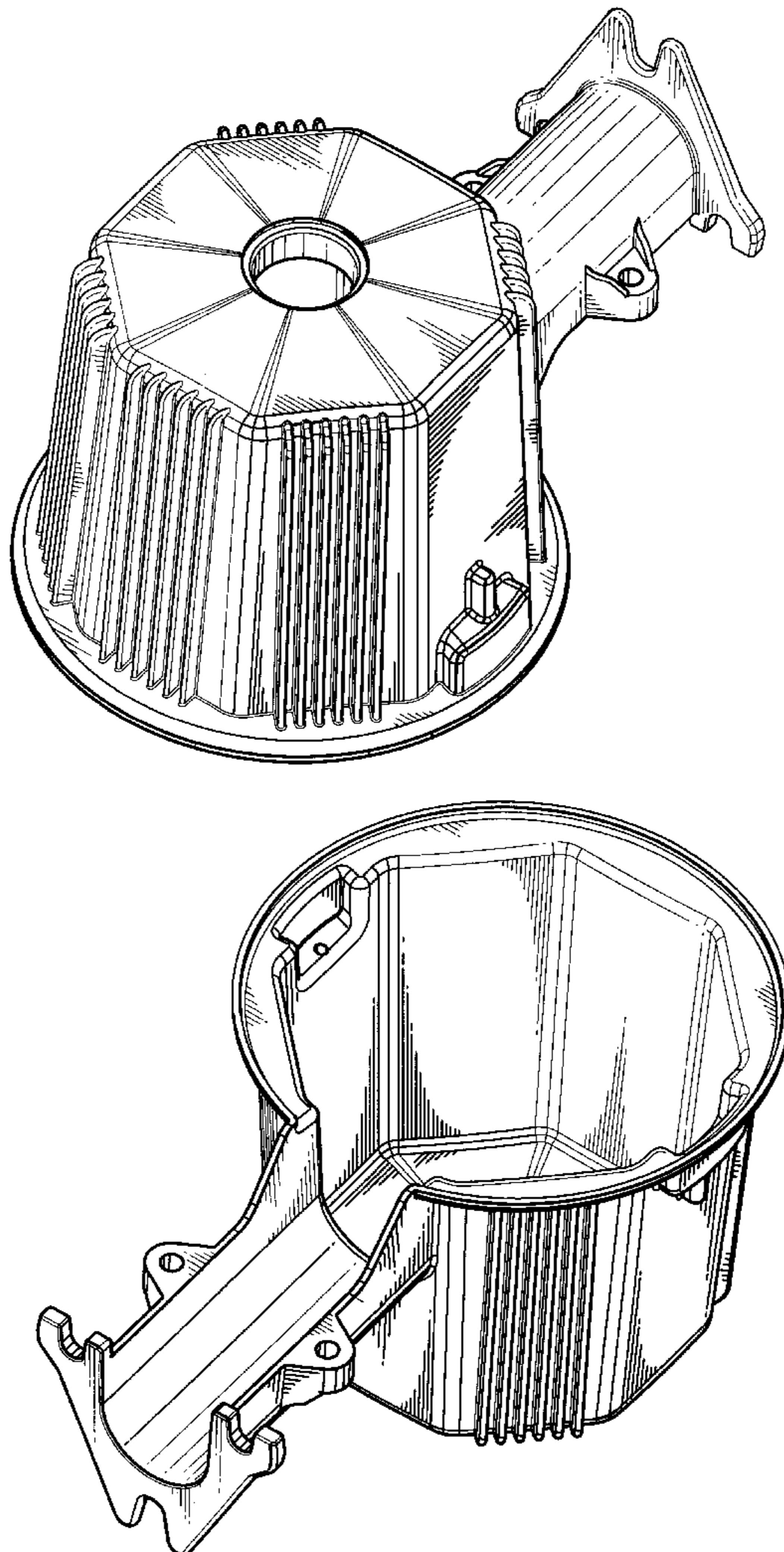


Fig. 1

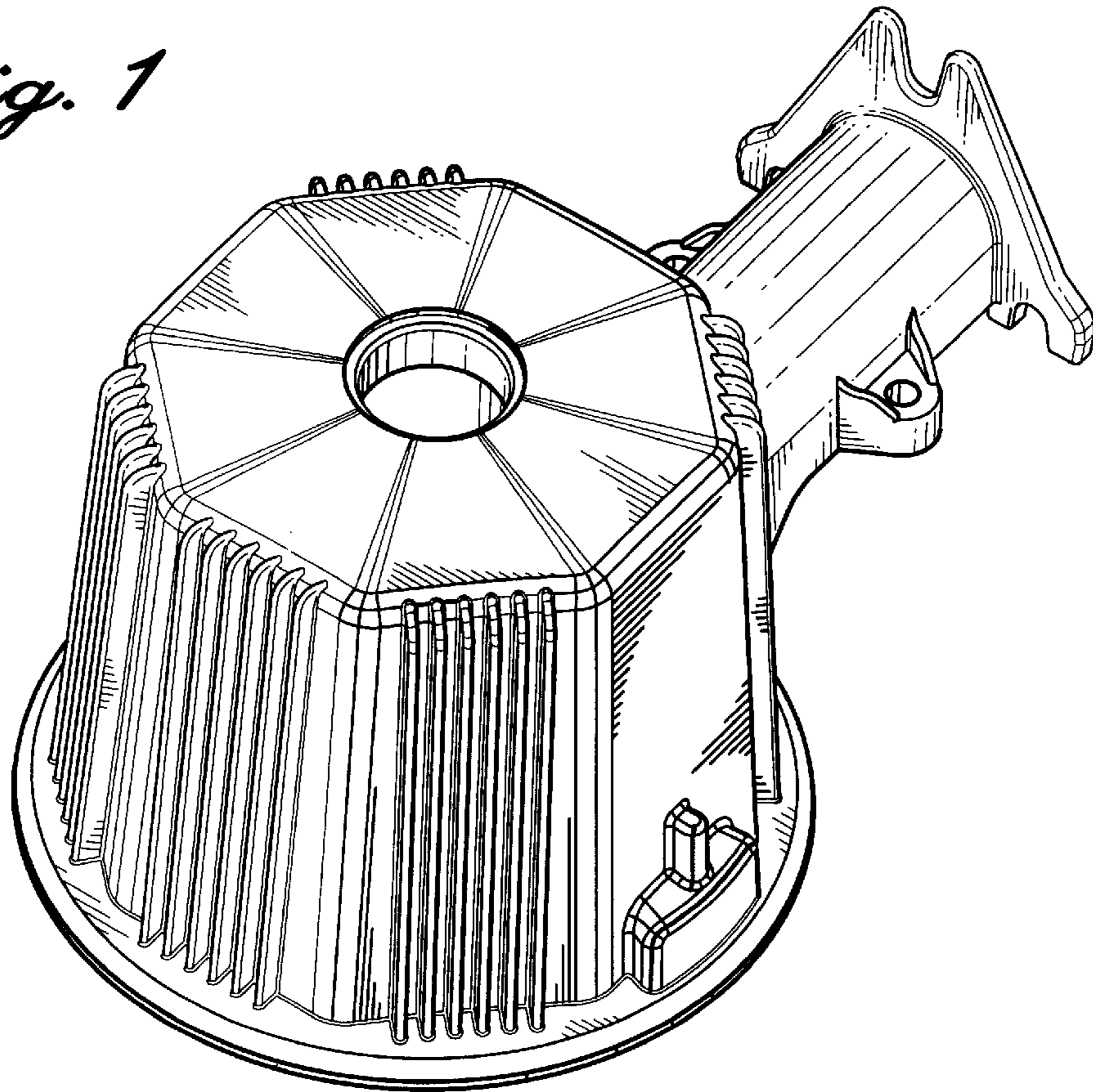
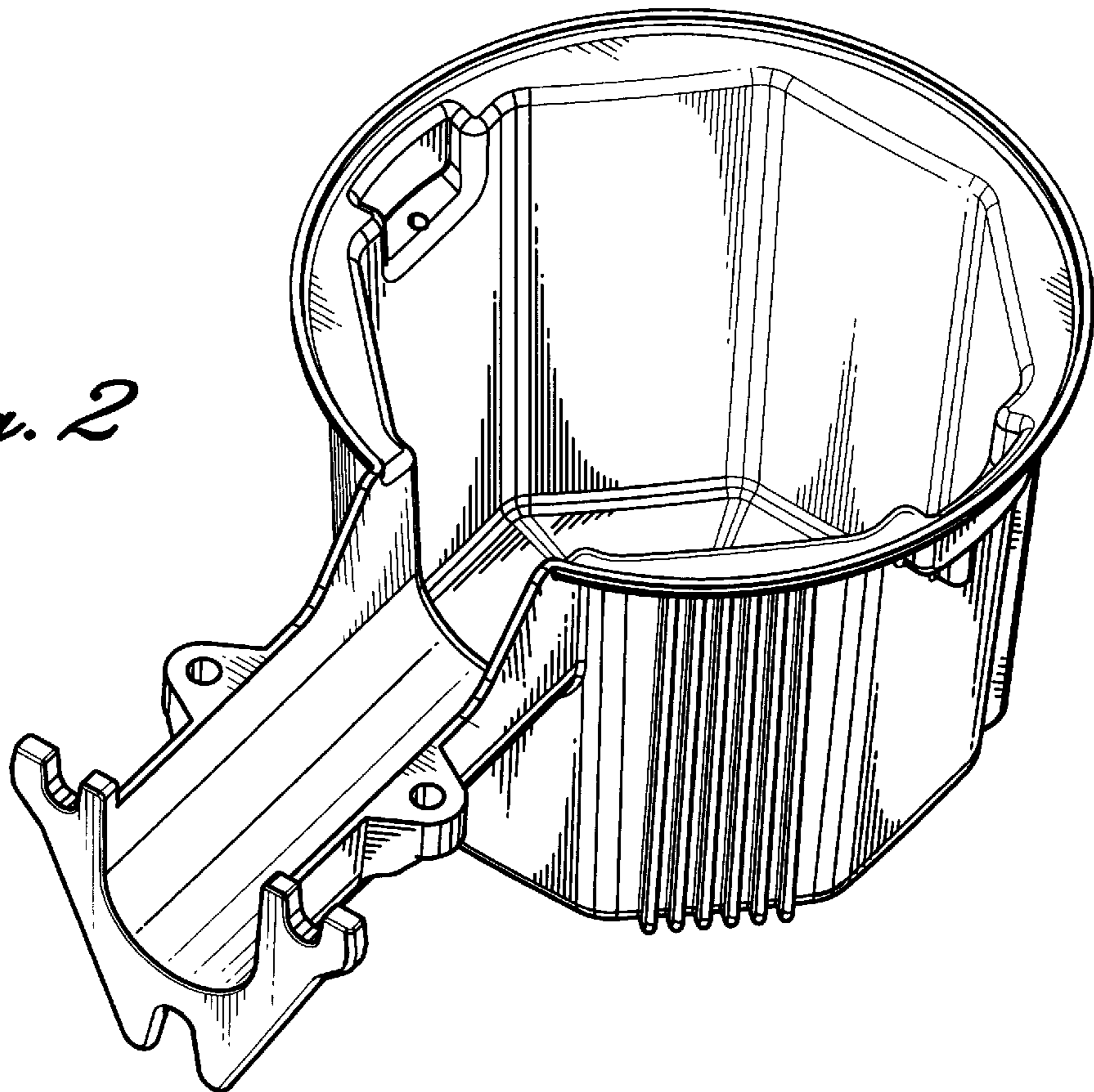


Fig. 2



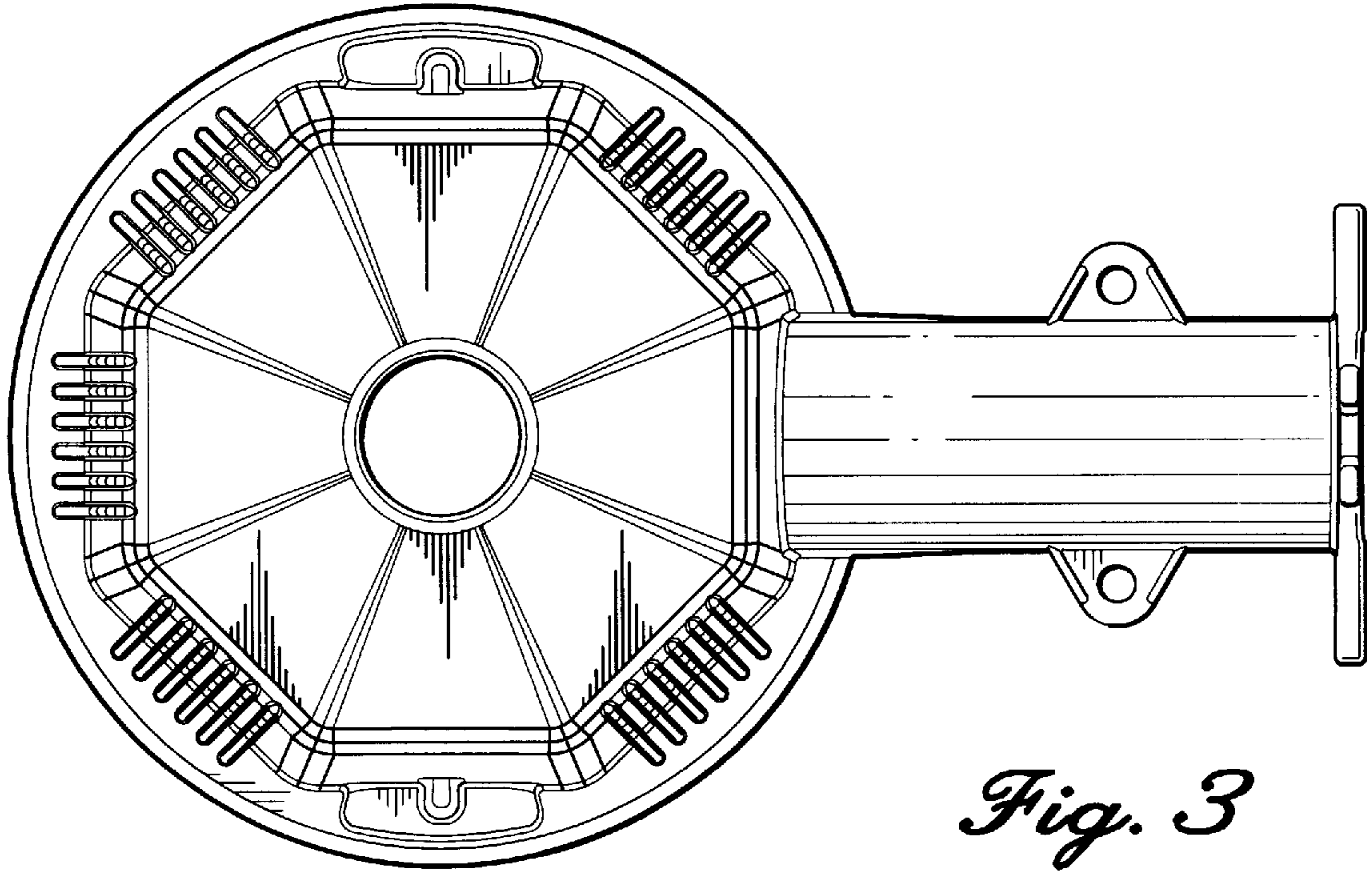


Fig. 3

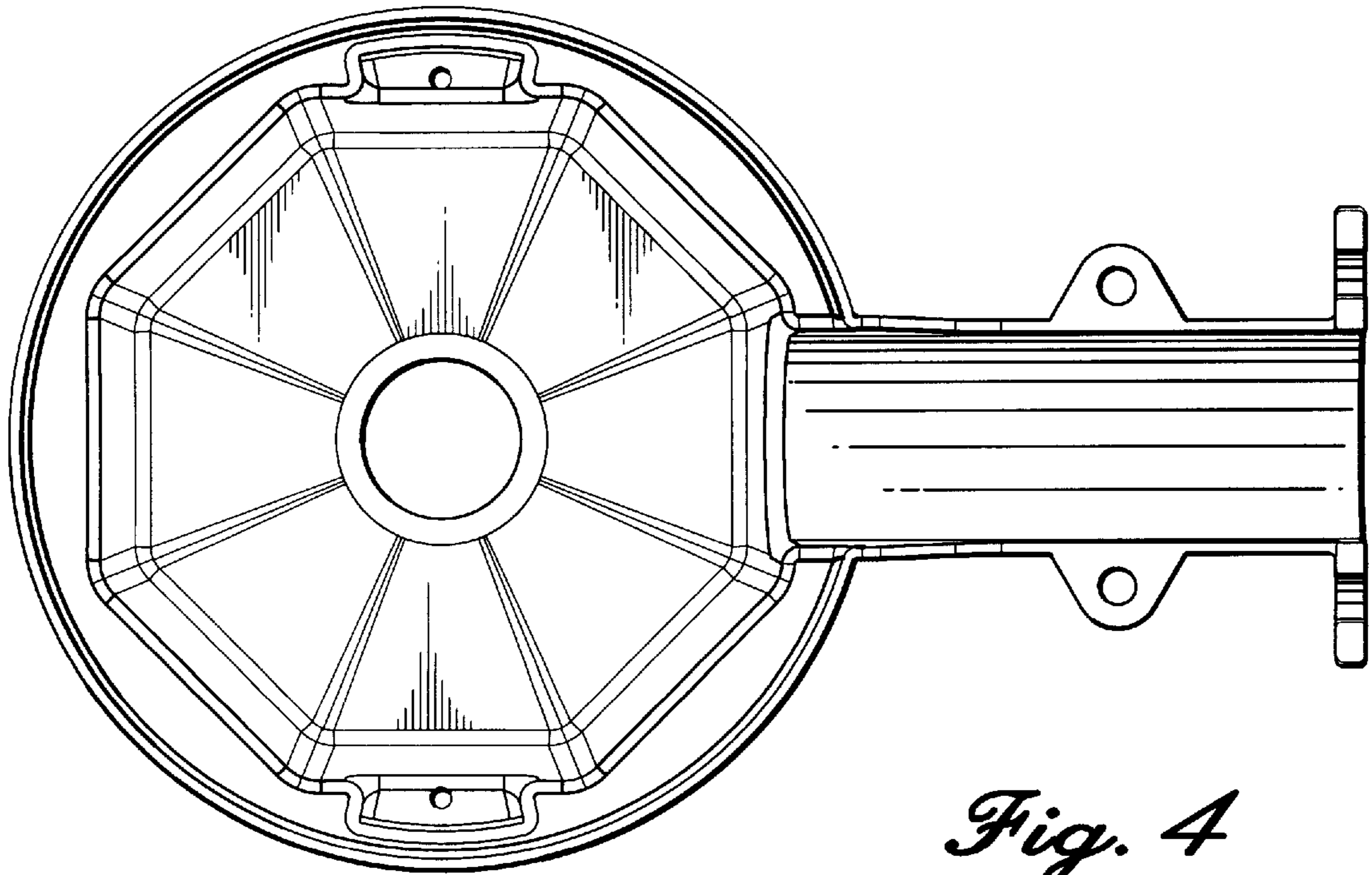


Fig. 4

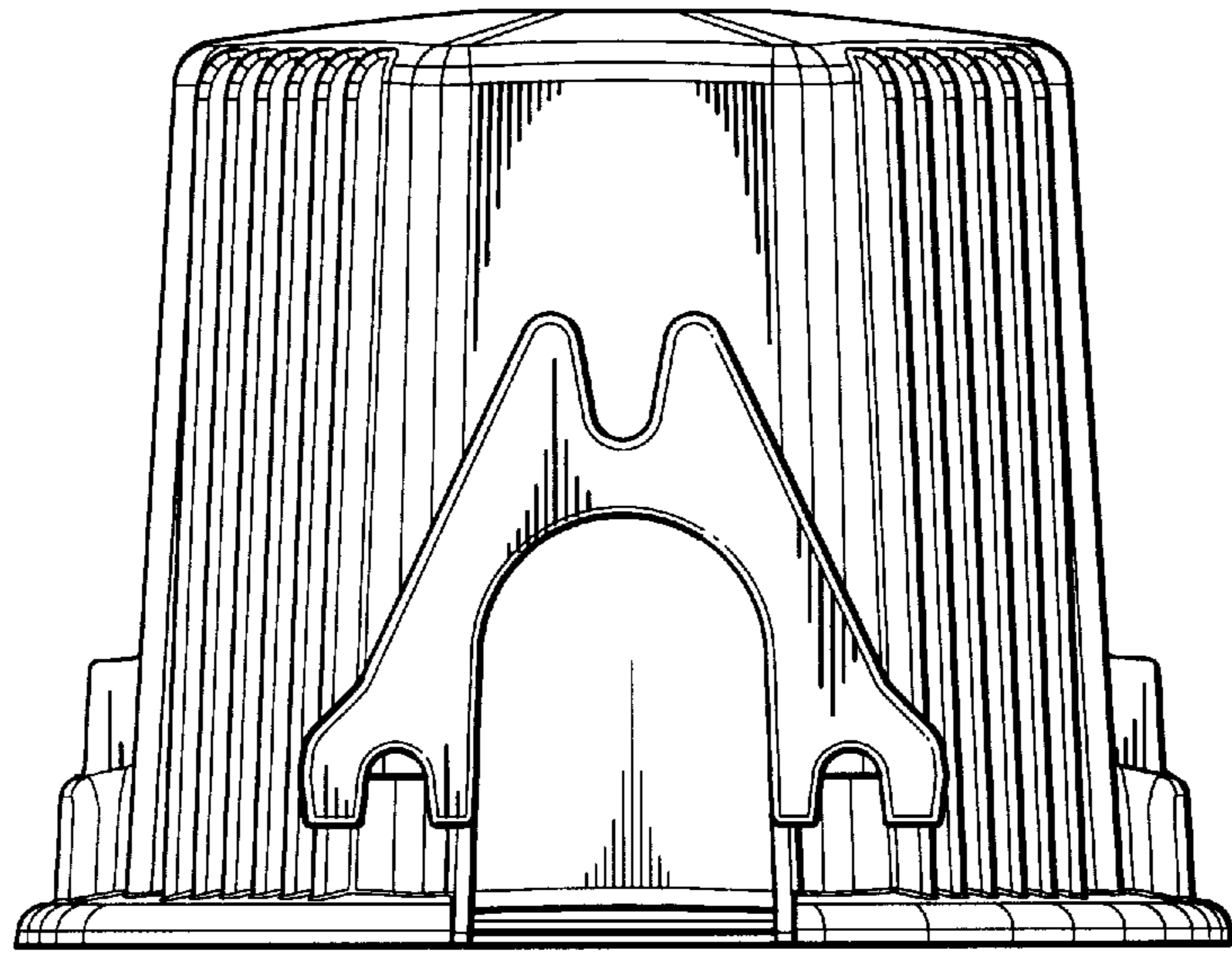


Fig. 5

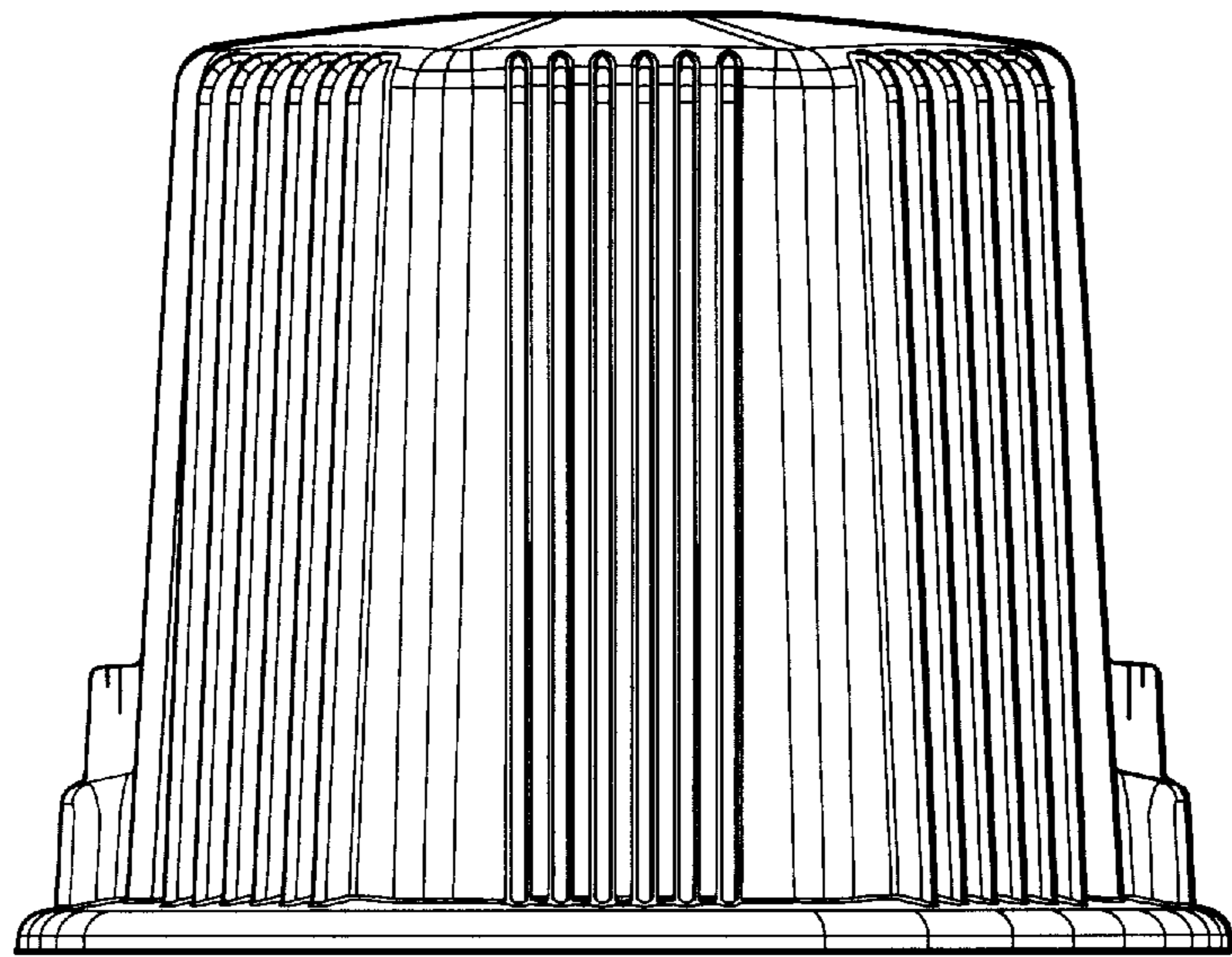


Fig. 6

