



US00D407836S

United States Patent [19]

Leen

[11] **Patent Number: Des. 407,836**

[45] **Date of Patent: **Apr. 6, 1999**

[54] **FLOODLIGHT**

[76] Inventor: **Monte A. Leen**, 1804 W. Lake Sammamish Pkwy NW., Bellevue, Wash. 98008

[**] Term: **14 Years**

[21] Appl. No.: **87,426**

[22] Filed: **May 1, 1998**

[51] **LOC (6) Cl.** **26-05**

[52] **U.S. Cl.** **D26/63**

[58] **Field of Search** D26/60-66; 362/267, 362/275, 285, 287, 418, 419, 427

[56] **References Cited**

U.S. PATENT DOCUMENTS

D. 345,226	3/1994	Tsao	D26/63
4,626,975	12/1986	Miletich	362/418

Primary Examiner—Susan J. Lucas
Attorney, Agent, or Firm—Christensen O'Connor Johnson & Kindness PLLC

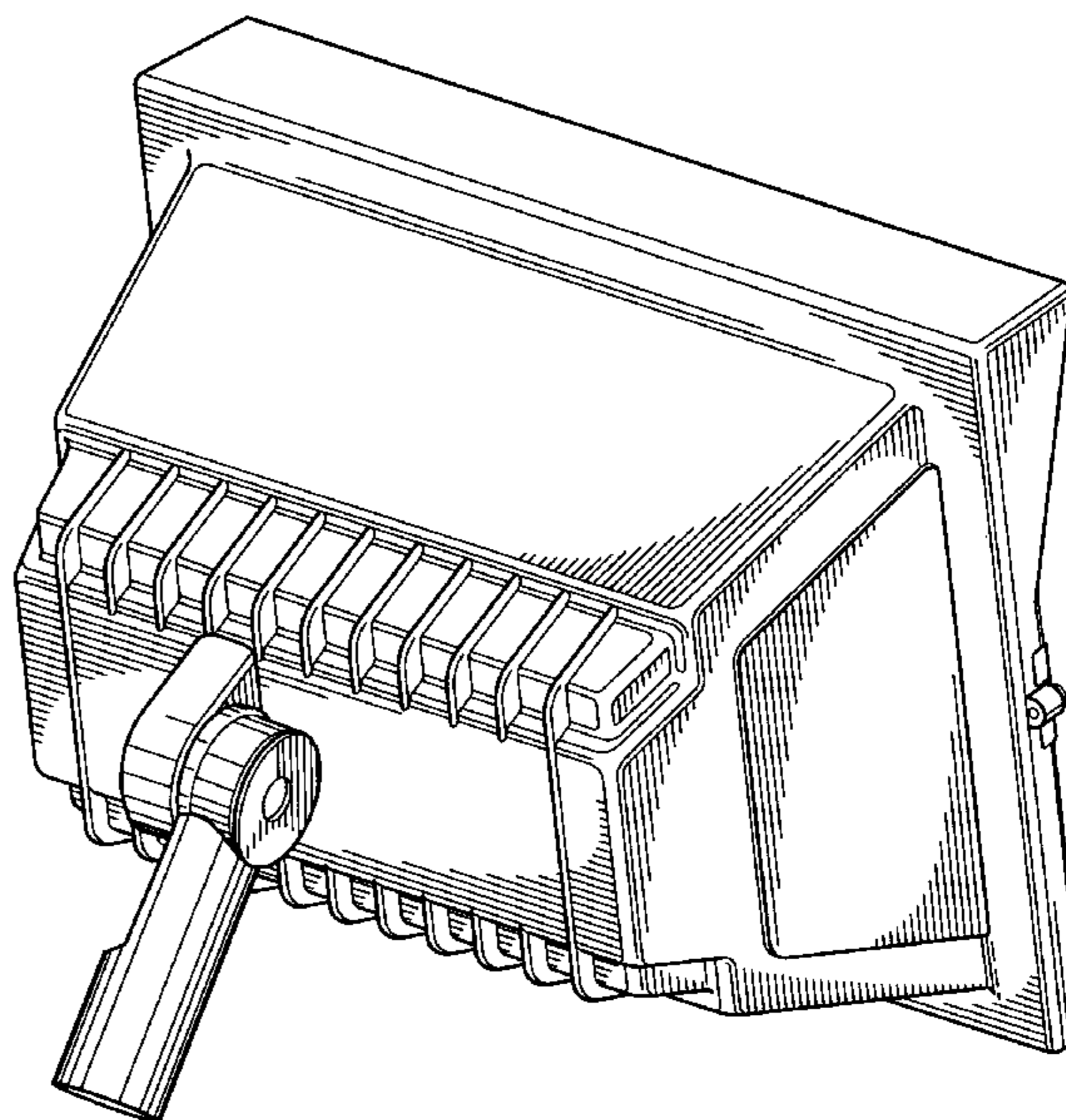
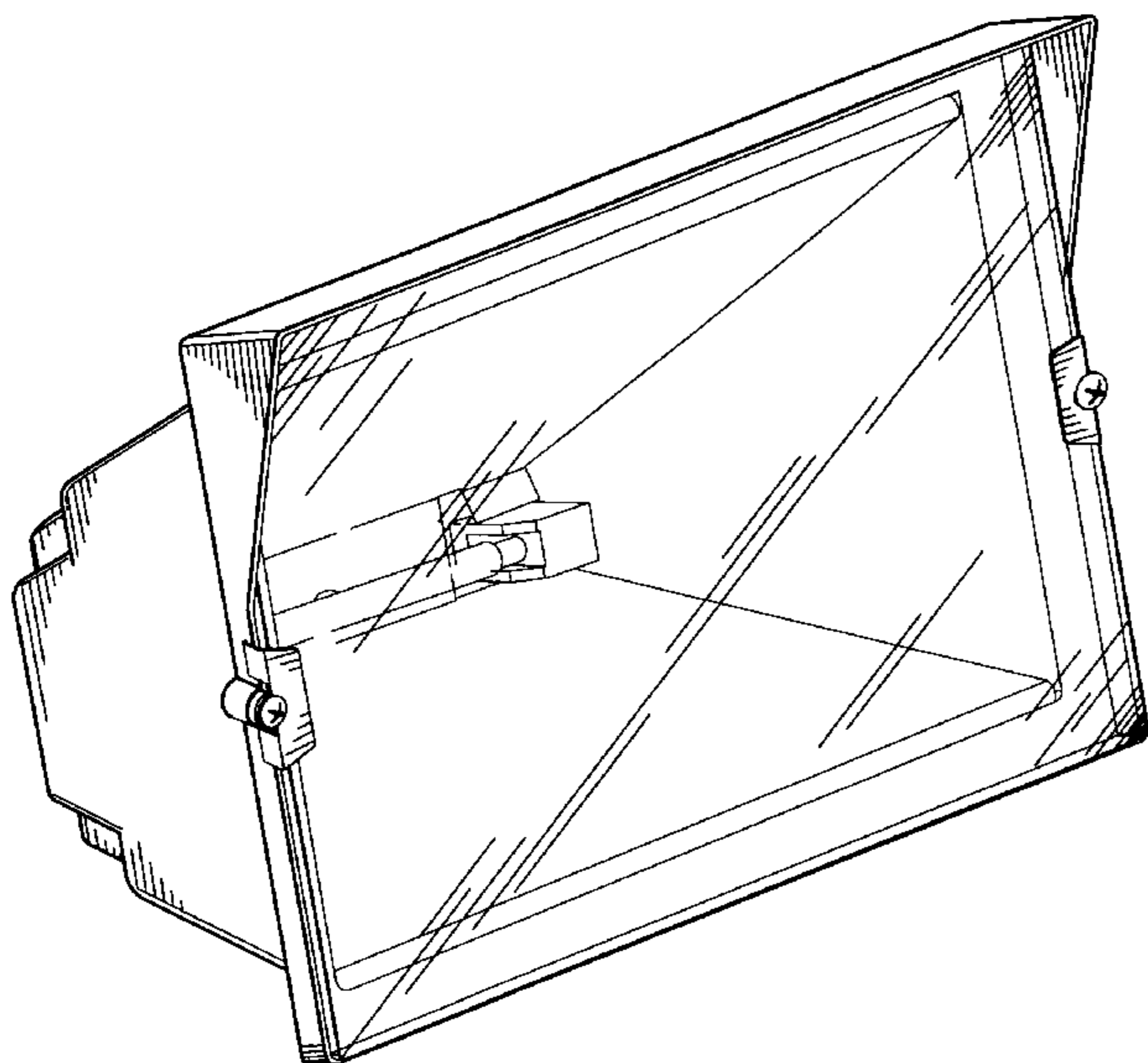
[57] **CLAIM**

The ornamental design for a floodlight, as shown and described.

DESCRIPTION

FIG. 1 is a front isometric view of a floodlight showing my new design;
FIG. 2 is a back isometric view thereof;
FIG. 3 is a front elevational view thereof;
FIG. 4 is a back elevational view thereof;
FIG. 5 is a right side elevational view thereof;
FIG. 6 is a left side elevational view thereof;
FIG. 7 is a top plan view thereof; and,
FIG. 8 is a bottom view plan thereof.

1 Claim, 4 Drawing Sheets



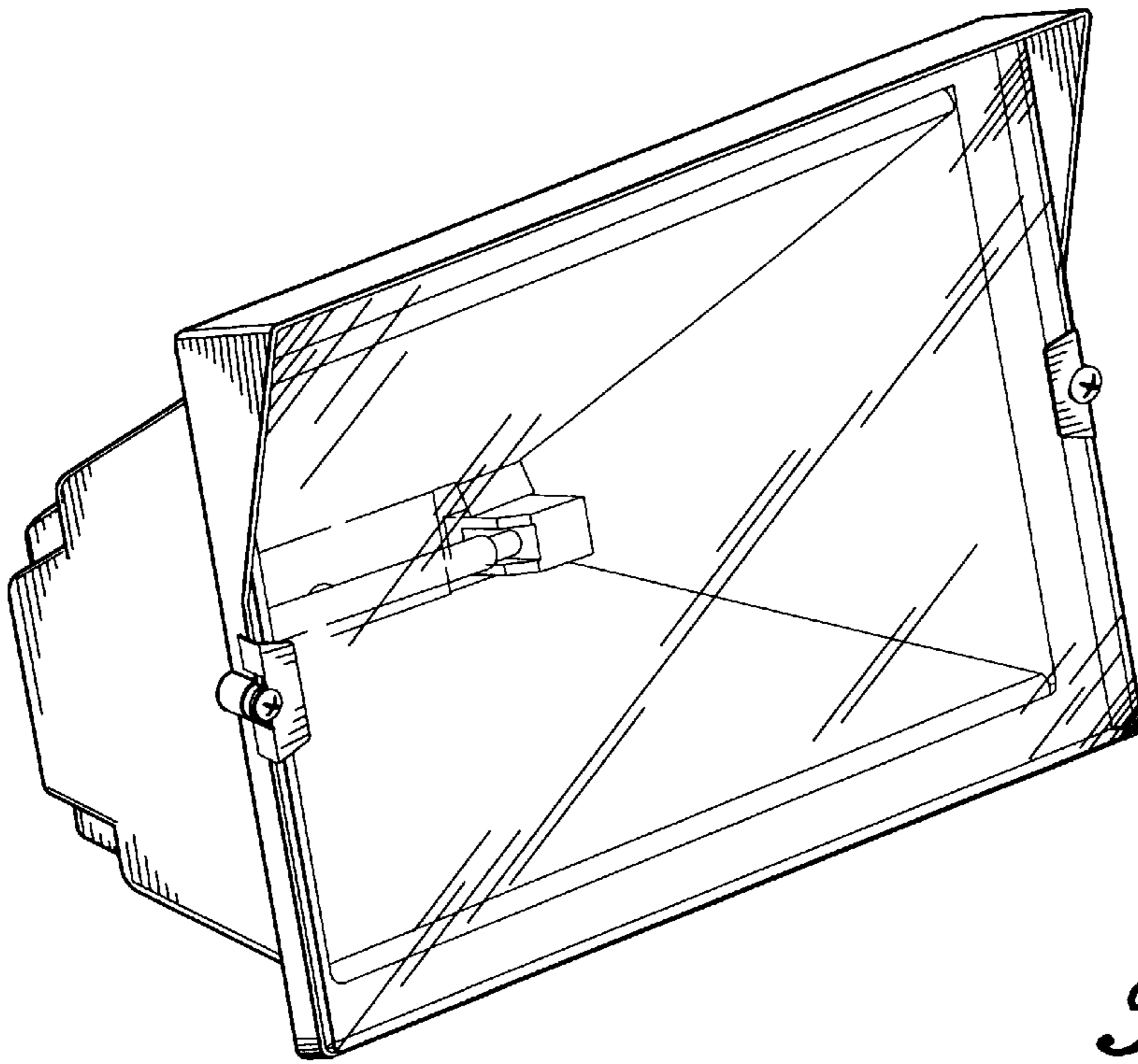


Fig. 1.

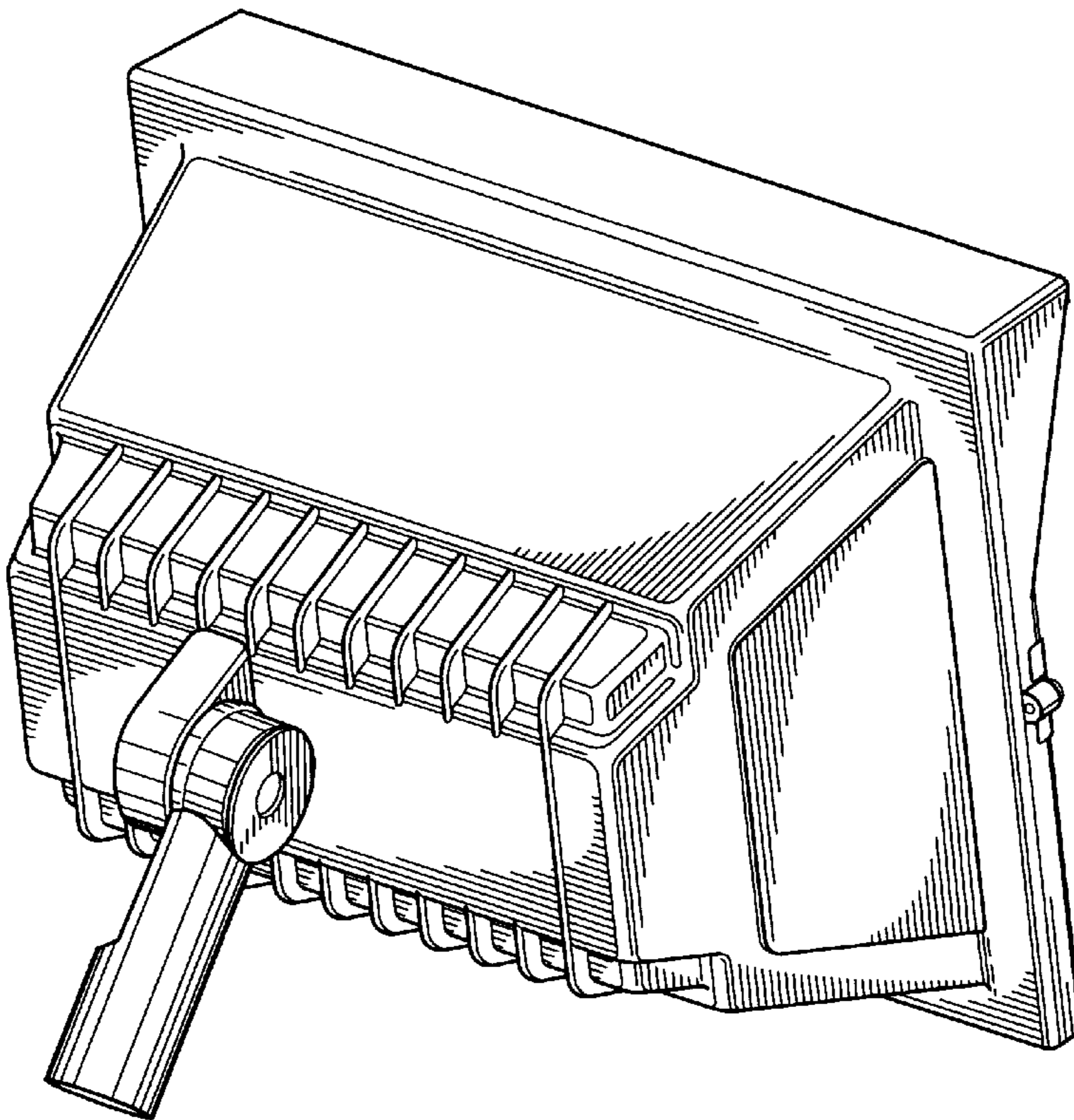


Fig. 2.

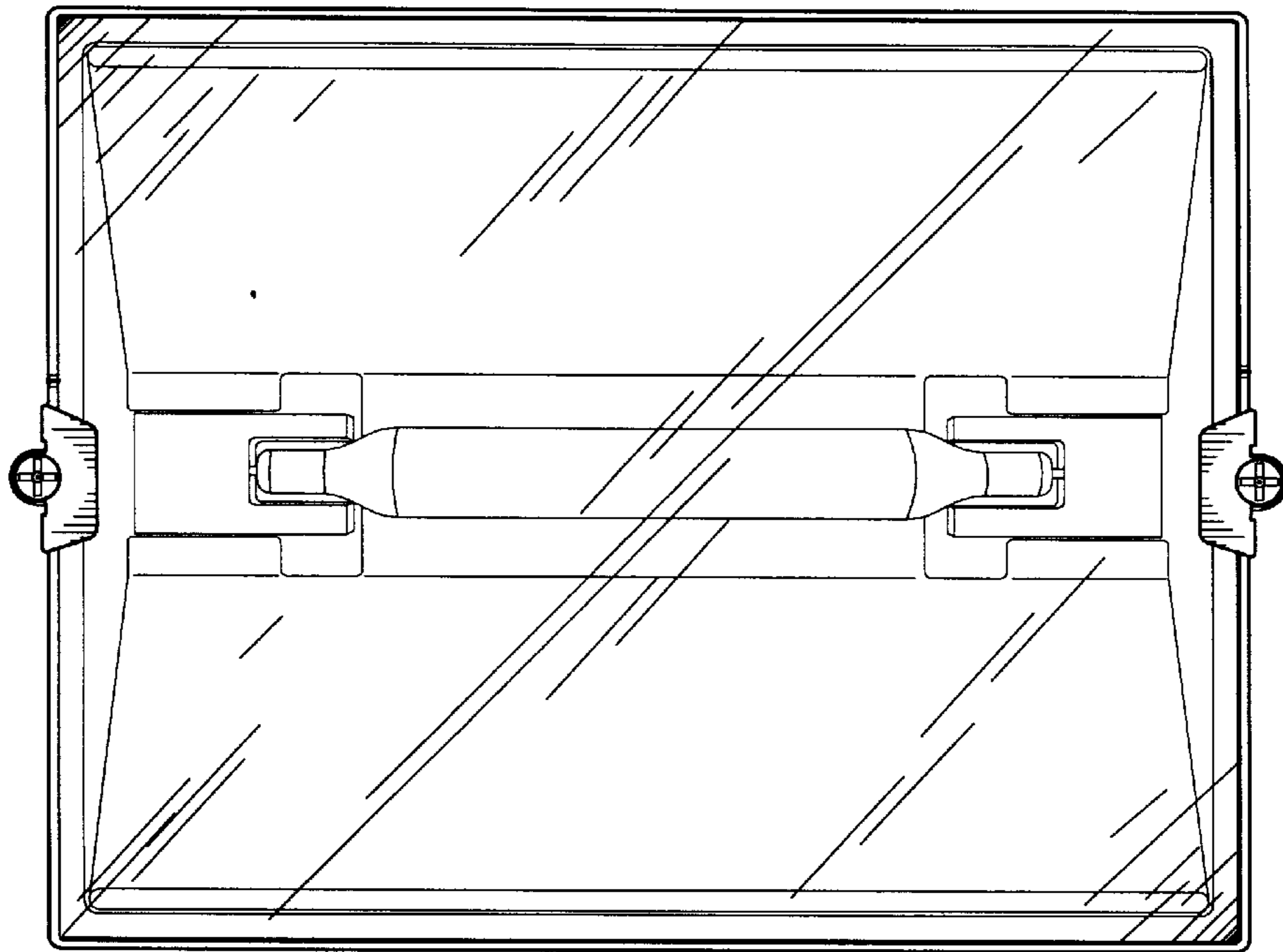


Fig. 3.

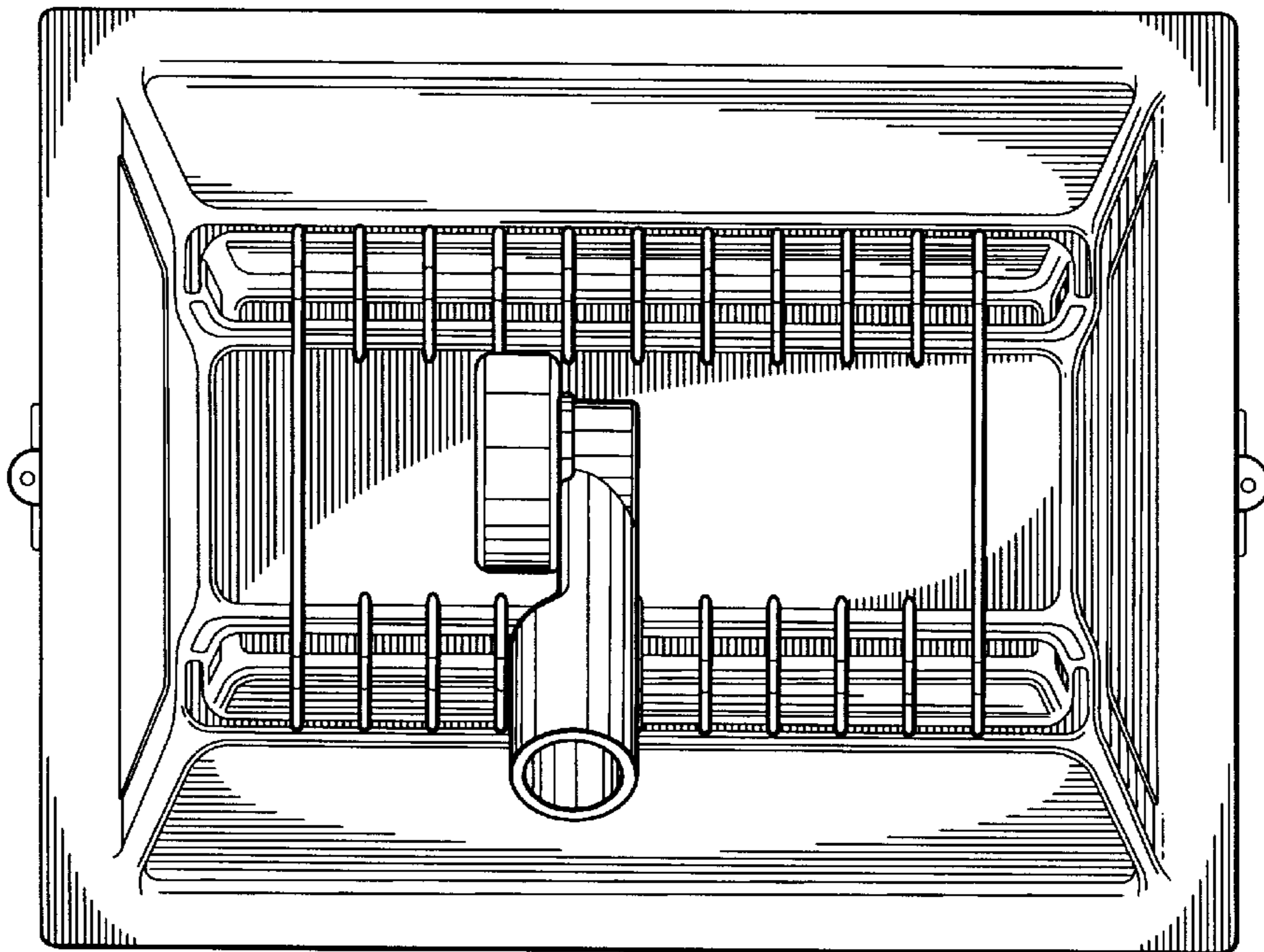


Fig. 4.

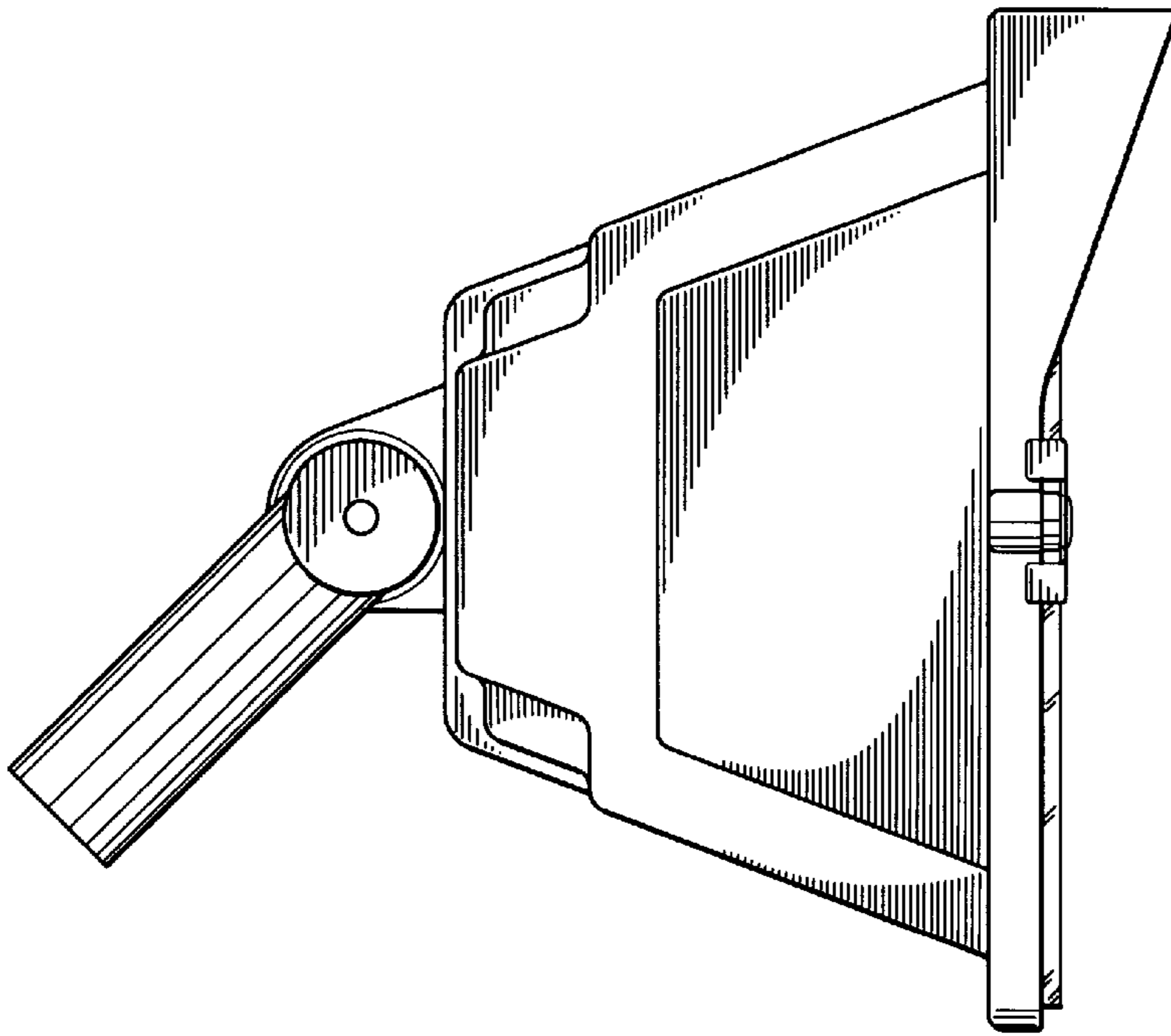


Fig. 5.

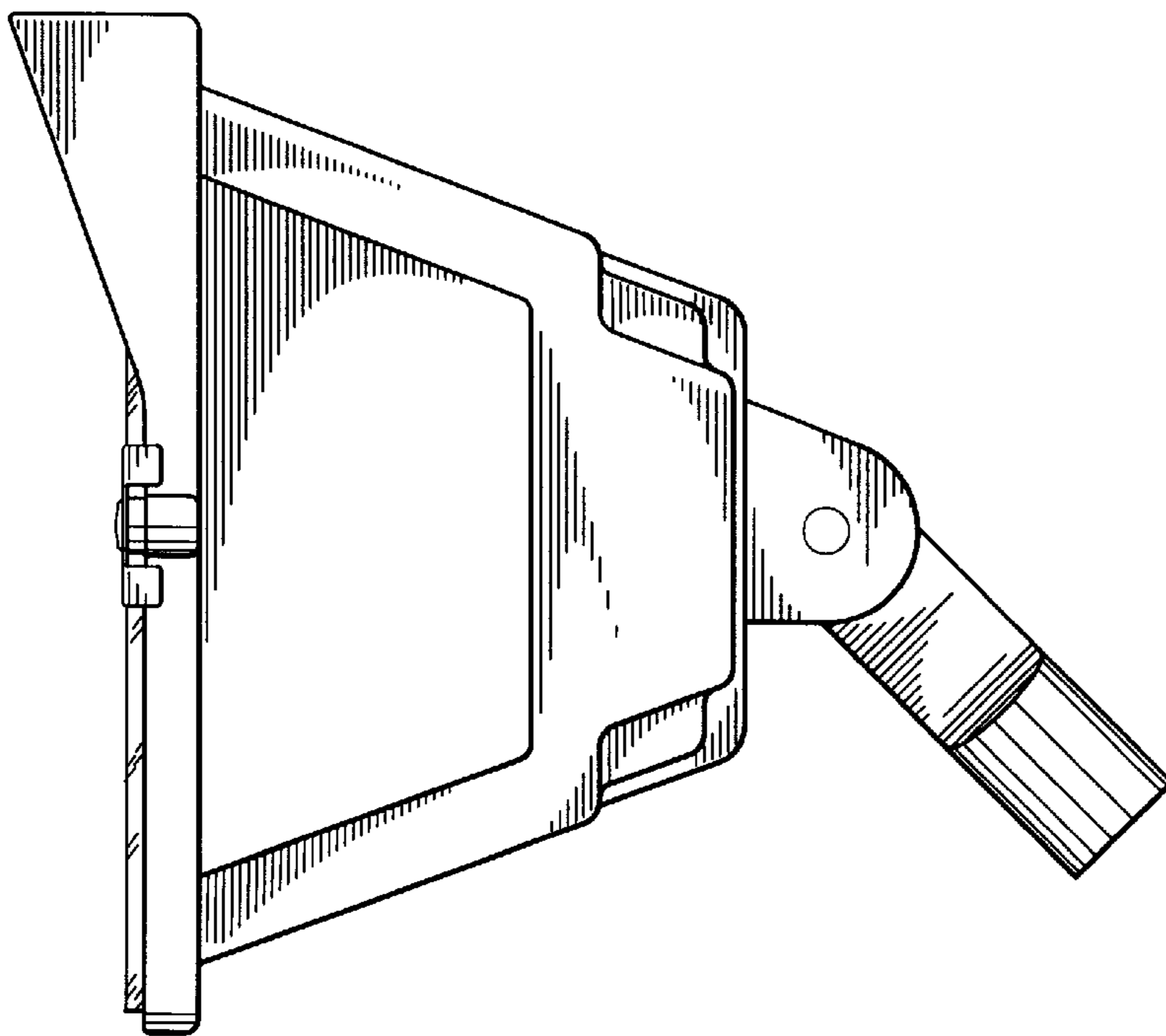


Fig. 6.

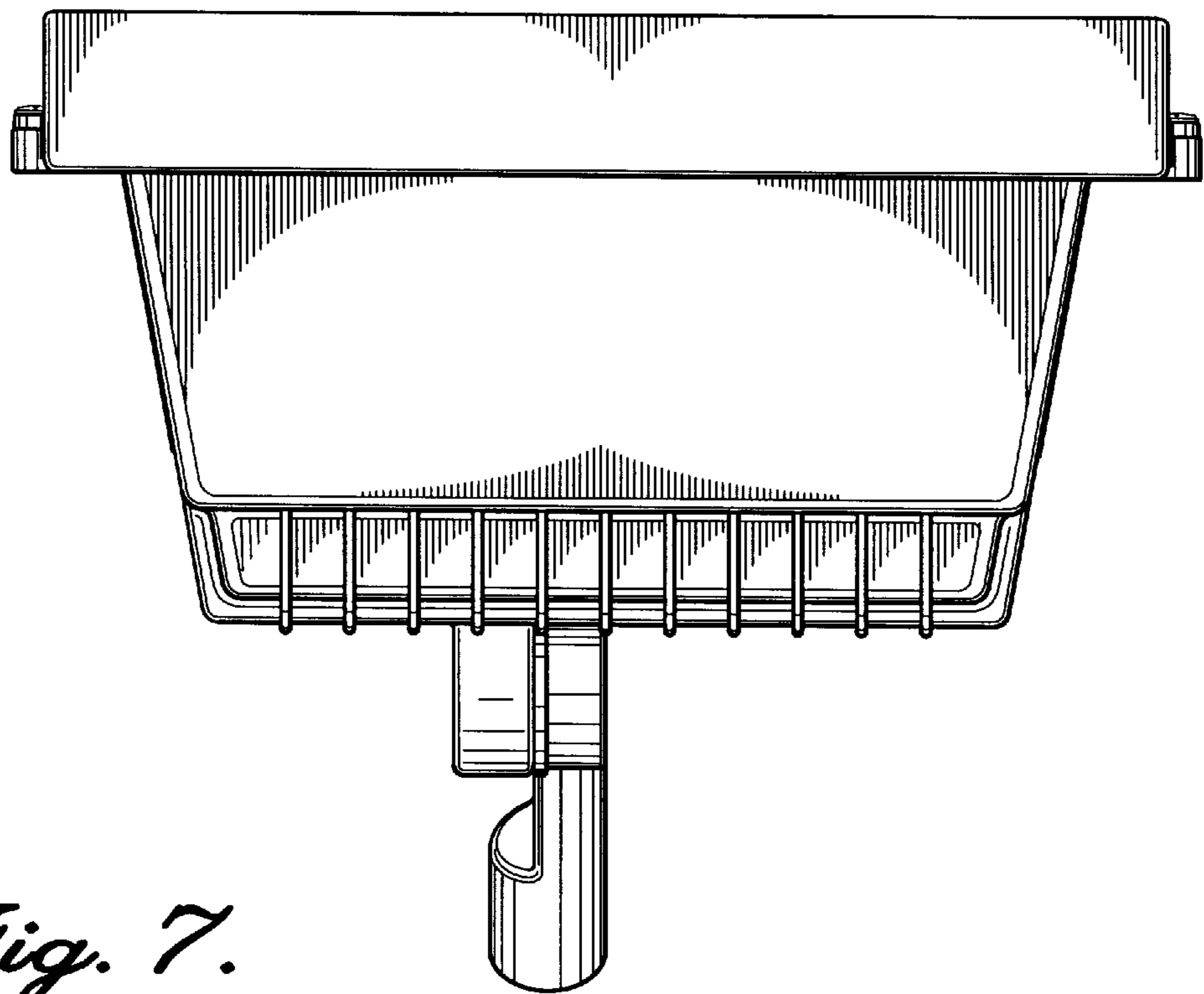


Fig. 7.

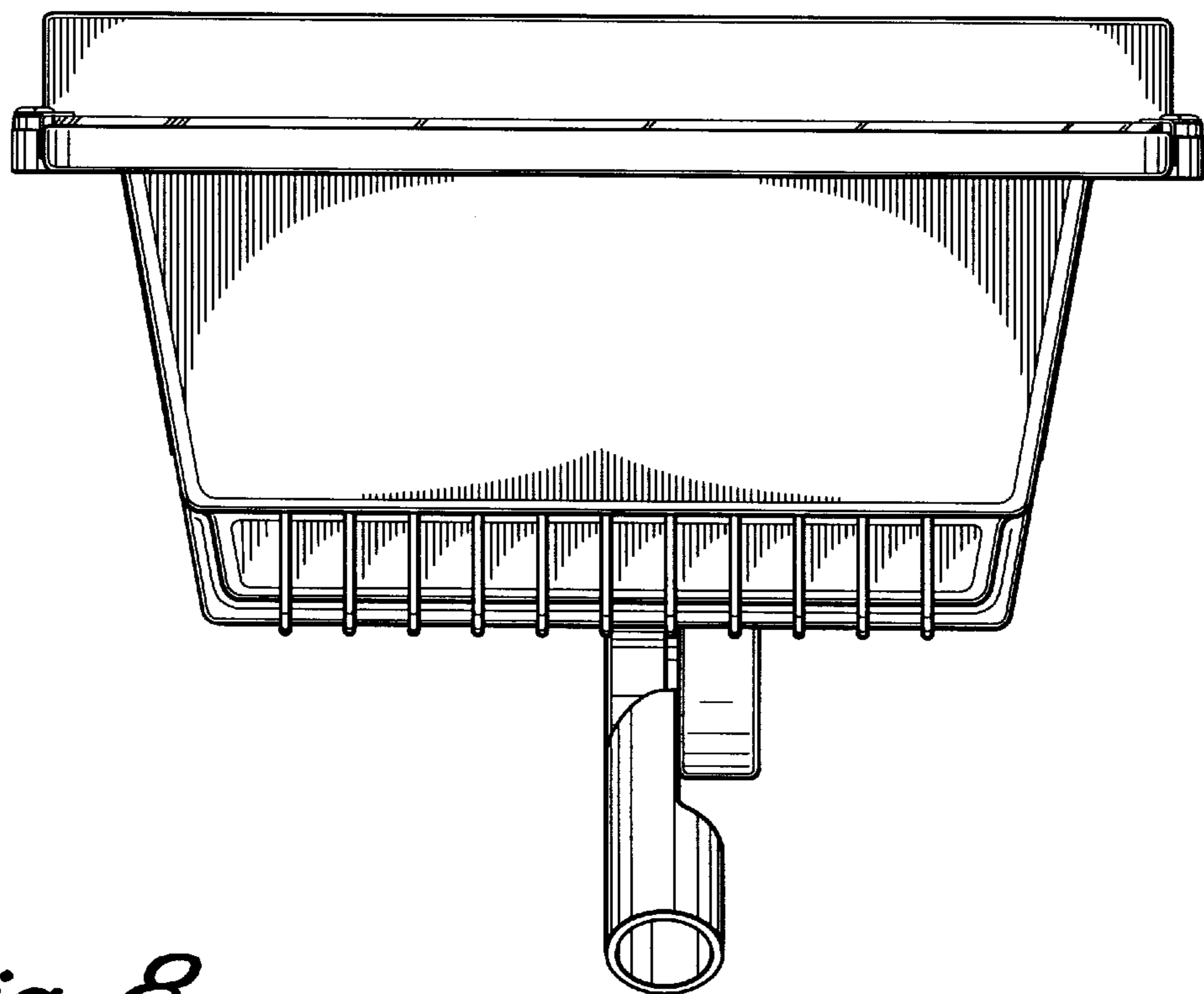


Fig. 8.

UNITED STATES PATENT AND TRADEMARK OFFICE
CERTIFICATE OF CORRECTION

PATENT NO. : D407,836
DATED : April 6, 1999
INVENTOR(S) : M.A. Leen

It is certified that error appears in the above-identified patent and that said Letters Patent is hereby corrected as shown below:

On the title page, item [57]

[57]	Description	"bottom view plan" should read --bottom plan view--
col. 2	of FIG. 8	

Signed and Sealed this
Twentieth Day of July, 1999

Attest:



Q. TODD DICKINSON

Attesting Officer

Acting Commissioner of Patents and Trademarks