



US00D407832S

United States Patent [19]
Dobija

[11] **Patent Number: Des. 407,832**

[45] **Date of Patent: **Apr. 6, 1999**

[54] **SUPPORT TRIM RAIL FOR PANEL WALL SYSTEM**

4,854,095 8/1989 Michlovic 52/235
5,155,958 10/1992 Huff 52/235

[75] Inventor: **Michael J. Dobija**, Laguna Beach, Calif.

Primary Examiner—Doris Clark
Attorney, Agent, or Firm—Pearne, Gordon, McCoy & Granger LLP

[73] Assignee: **Commercial and Architectural Products, Inc.**, Dover, Ohio

[57] **CLAIM**

[**] Term: **14 Years**

The ornamental design for support trim rail for panel wall system, as shown and described.

[21] Appl. No.: **71,489**

DESCRIPTION

[22] Filed: **May 30, 1997**

Related U.S. Application Data

FIG. 1 is a side, top and front perspective view of a first embodiment of a typical portion of a support trim rail for a panel wall system, the partial broken line depiction of the flange being for illustrative purposes only and forming no part of the claimed design;

[62] Division of Ser. No. 473,645, Jun. 7, 1995, Pat. No. 5,694,727.

[51] **LOC (6) Cl.** **25-01**

FIG. 2 is a front elevational view thereof;

[52] **U.S. Cl.** **D25/136**

FIG. 3 is a cross-sectional view of the lower broken section in FIG. 1;

[58] **Field of Search** D25/136; 52/235, 52/386, 387, 390, 506.01, 384, 385, 461, 464, 468, 313, 314, 287.1, 716.1, 716.8

FIG. 4 is a right side elevational view, the left side being identical;

[56] **References Cited**

U.S. PATENT DOCUMENTS

D. 317,210	5/1991	Rodriguez et al.	D25/138
D. 337,834	7/1993	Kearns	D25/138
2,073,795	3/1937	Haugaard	52/385
2,101,612	12/1937	Duffy	52/386
2,569,902	10/1951	Rienau et al.	52/385
4,765,111	8/1988	Osawa	52/387
4,783,941	11/1988	Loper et al.	52/235

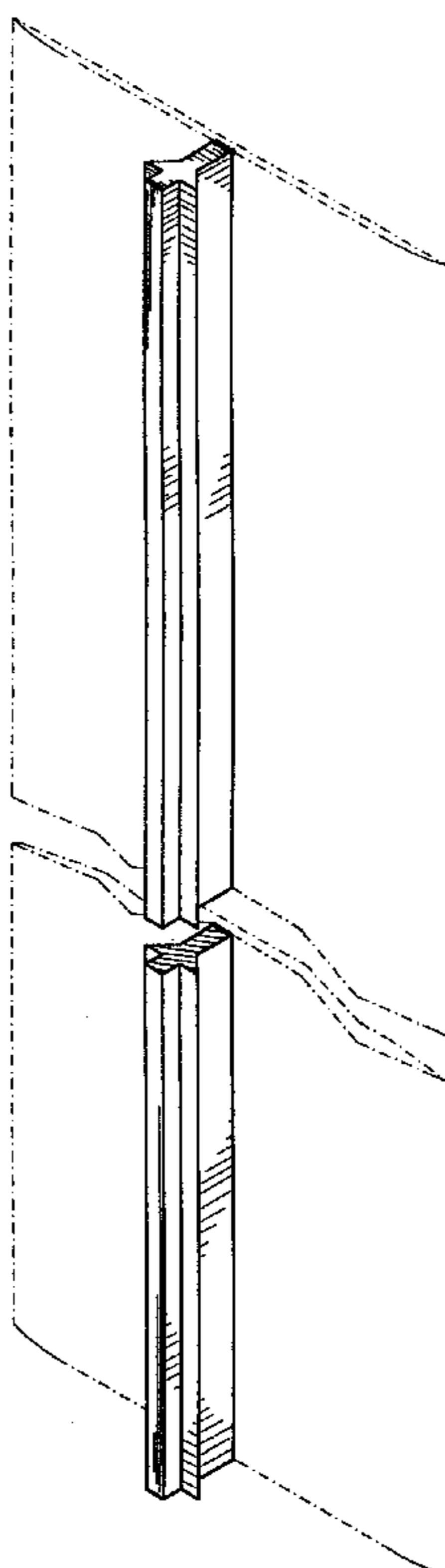
FIG. 5 is a side, top and front perspective view of a second embodiment of a typical portion of a support trim rail for a panel wall system, the partial broken line depiction of the flange, with the rail extending beyond the flange, being for illustrative purposes only and forming no part of the claimed design;

FIG. 6 is a front elevational view thereof;

FIG. 7 is a top plan view thereof; and,

FIG. 8 is a right side elevational view, the left side being identical.

1 Claim, 2 Drawing Sheets



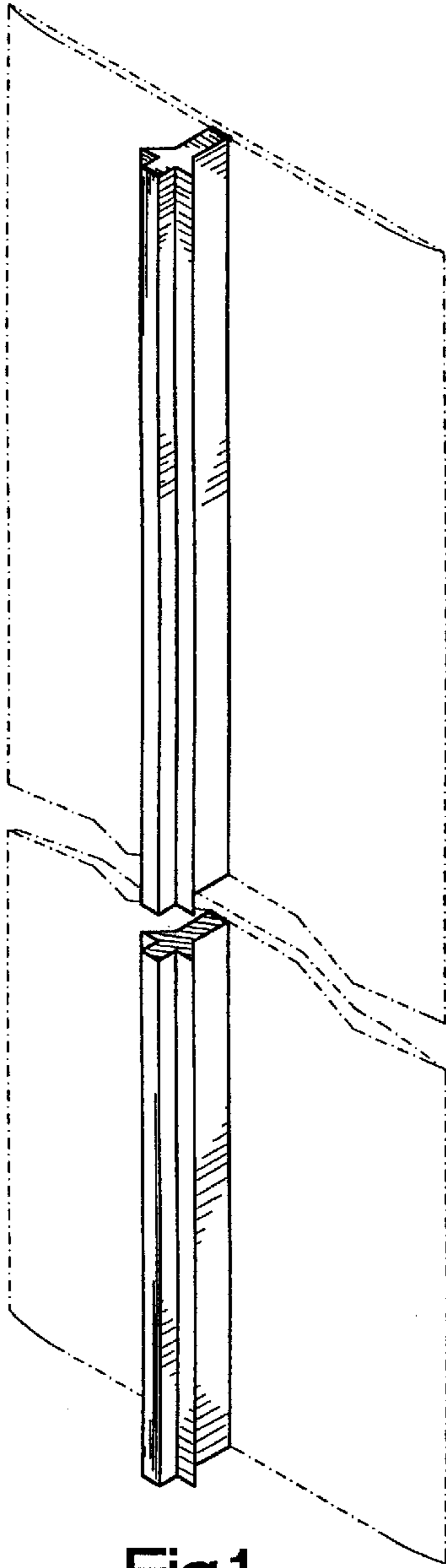


Fig.1

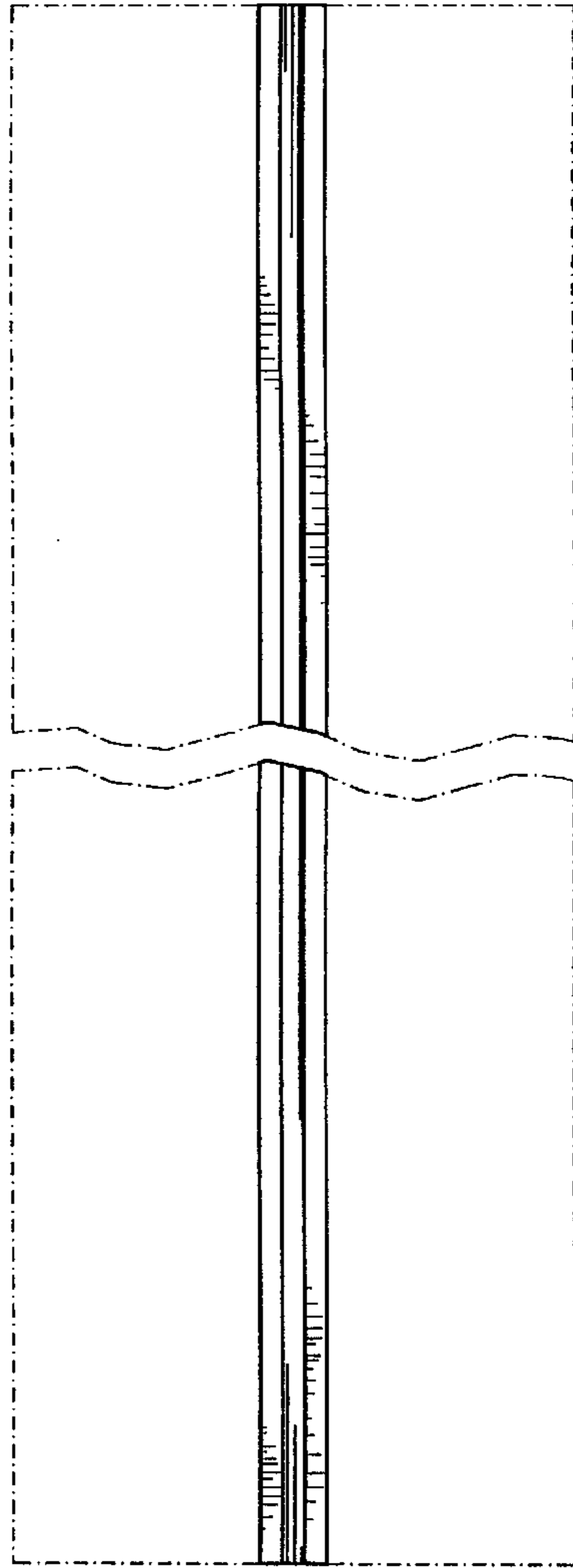


Fig.2



Fig.4



Fig.3

