

US00D407827S

# United States Patent [19]

[11] Patent Number: **Des. 407,827**

Lahm et al.

[45] Date of Patent: **\*\*Apr. 6, 1999**

[54] **SIX WELL THERMOFORM DISH INSERT ASSEMBLY**

[75] Inventors: **William Lahm**, Sumter, S.C.; **Timothy A. Stevens**, Madison, N.J.

[73] Assignee: **Becton Dickinson and Company**, Franklin Lakes, N.J.

[\*\*] Term: **14 Years**

4,968,625	11/1990	Smith et al. ....	435/305.3
5,026,649	6/1991	Lyman et al. ....	435/284
5,139,951	8/1992	Butz et al. ....	435/284
5,215,920	6/1993	Lyman et al. ....	435/284
5,272,083	12/1993	Butz et al. ....	435/240.241
5,358,871	10/1994	Stevens et al. ....	435/284
5,366,893	11/1994	Stevens et al. ....	435/284
5,462,874	10/1995	Wolf et al. ....	435/305.3 X
5,468,638	11/1995	Barker et al. ....	435/305.1 X
5,534,227	7/1996	Lahm et al. ....	422/102

[21] Appl. No.: **80,160**

[22] Filed: **Oct. 23, 1997**

### Related U.S. Application Data

[63] Continuation of Ser. No. 39,747, Jun. 5, 1995, abandoned.

[51] **LOC (6) Cl.** ..... **24-02**

[52] **U.S. Cl.** ..... **D24/224; D24/216; D24/227**

[58] **Field of Search** ..... D24/224, 227, D24/226, 229, 230; D9/341, 345, 346; 422/100, 102, 99; 435/305.1, 305.4, 305.3, 286.2, 284; 220/507, 217, 518; 206/561, 565, 564, 557; 24/216

### [56] References Cited

#### U.S. PATENT DOCUMENTS

D. 288,234	2/1987	Blatherwick et al. ....	D24/230
D. 360,098	7/1995	Stevens et al. ....	D24/224
D. 377,984	2/1997	Lahm et al. ....	D24/224
D. 378,941	4/1997	Lahm et al. ....	D24/224
D. 382,974	8/1997	Lahm et al. ....	D24/224
3,197,058	7/1965	Hale .....	D9/341
4,407,943	10/1983	Cole et al. ....	435/7
4,495,289	1/1985	Lyman et al. ....	D24/226
4,686,190	8/1987	Cramer et al. ....	435/291
4,871,674	10/1989	Matsui et al. ....	435/284

### FOREIGN PATENT DOCUMENTS

0 401 660A1 12/1990 European Pat. Off. .... C12M 1/22

*Primary Examiner*—Louis S. Zarfes

*Assistant Examiner*—G. Andoll

*Attorney, Agent, or Firm*—Nanette S. Thomas; Bruce S. Weintraub

### [57] CLAIM

The ornamental design for a six well thermoform dish insert assembly, as shown and described.

### DESCRIPTION

FIG. 1 is a top, front and side perspective view of the six well thermoform dish insert assembly showing our new design;

FIG. 2 is a top plan view thereof;

FIG. 3 is a front elevational view thereof;

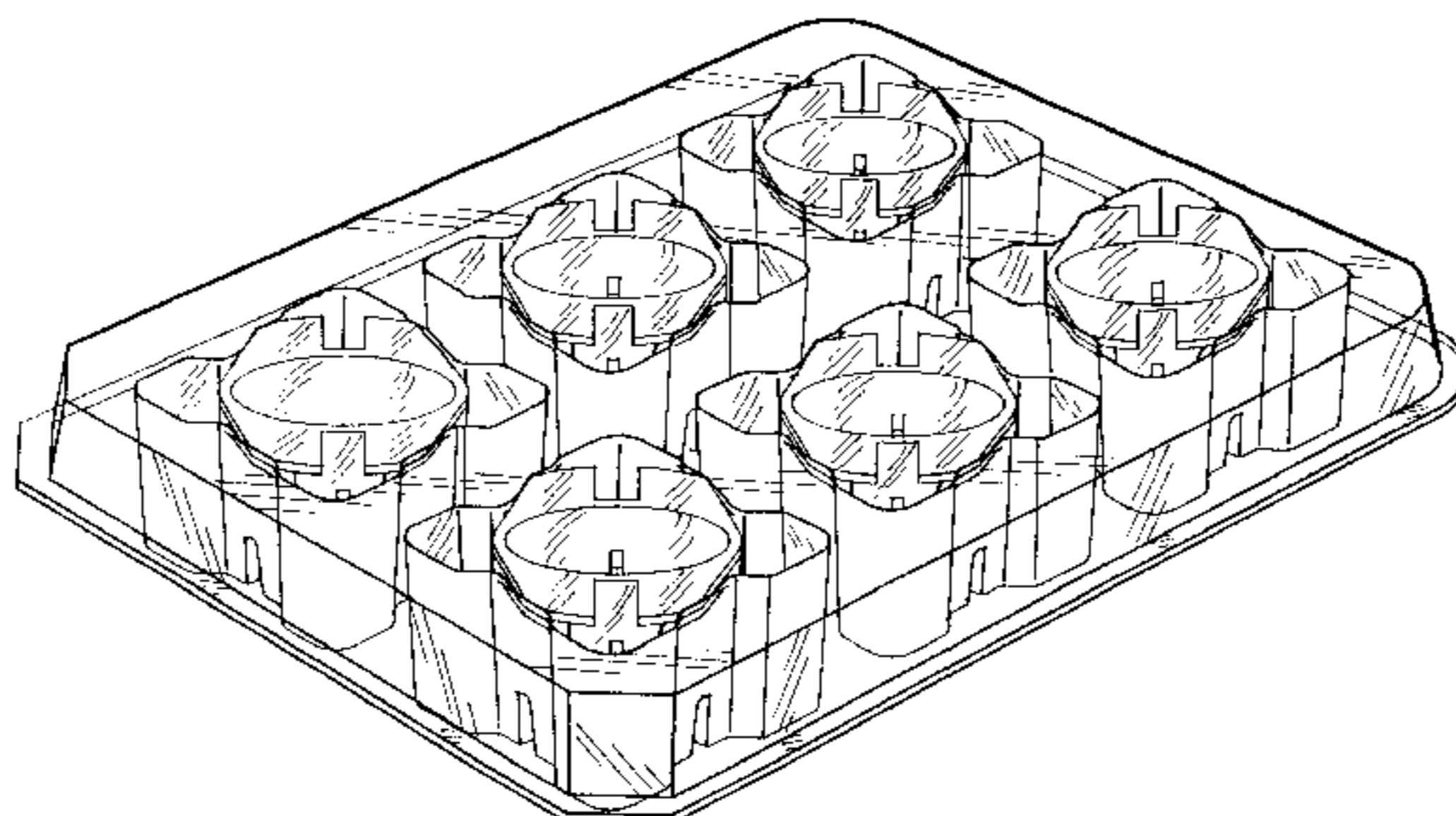
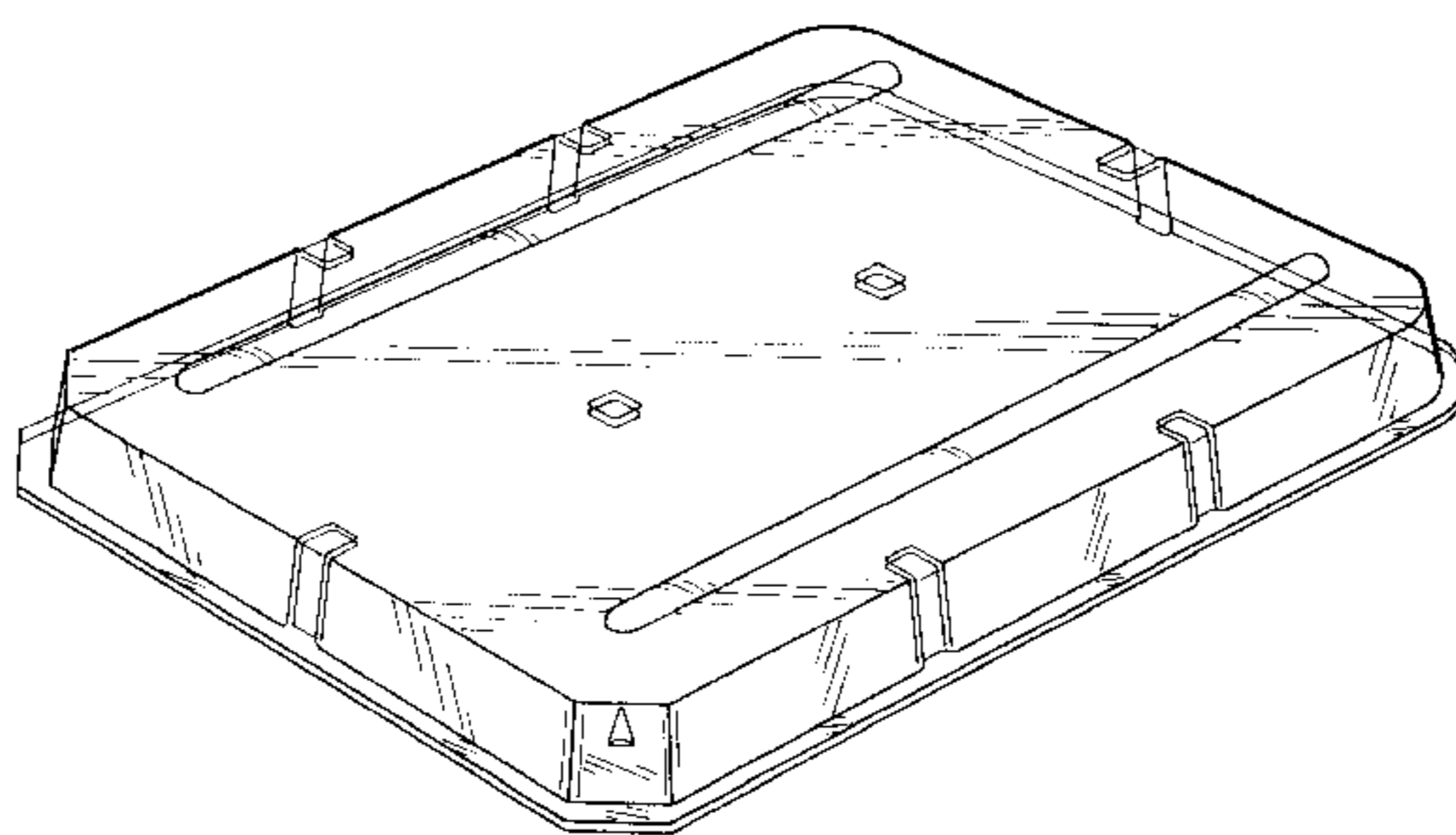
FIG. 4 is a side elevational view thereof, the other side elevational view is a mirror image thereof;

FIG. 5 is a back elevational view thereof; and,

FIG. 6 is a top, front and side perspective view of the unassembled six well thermoform dish insert assembly, on a reduced scale.

The bottom of the six well thermoform dish insert assembly forms no part of the claimed design.

**1 Claim, 5 Drawing Sheets**



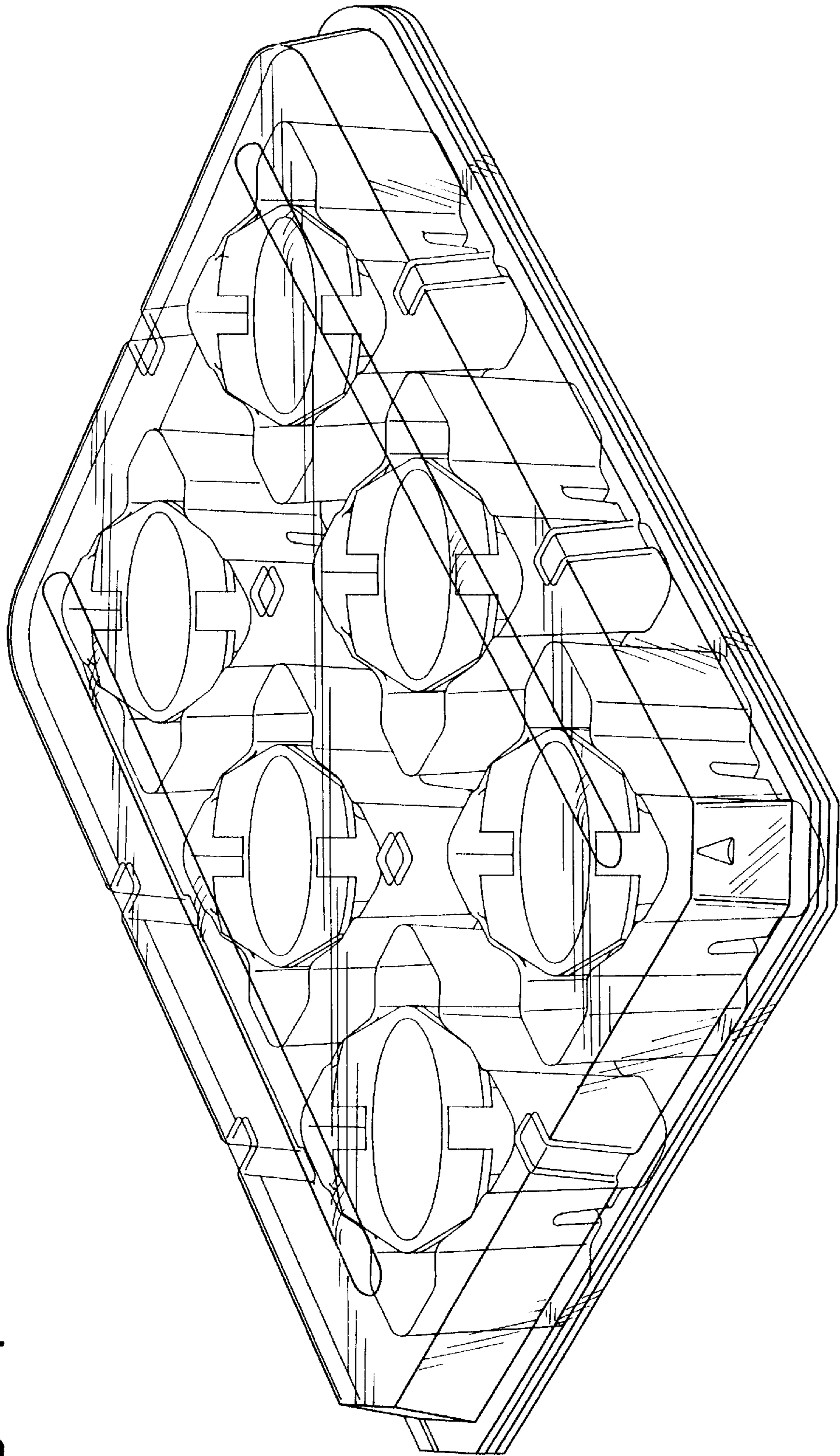


FIG-1

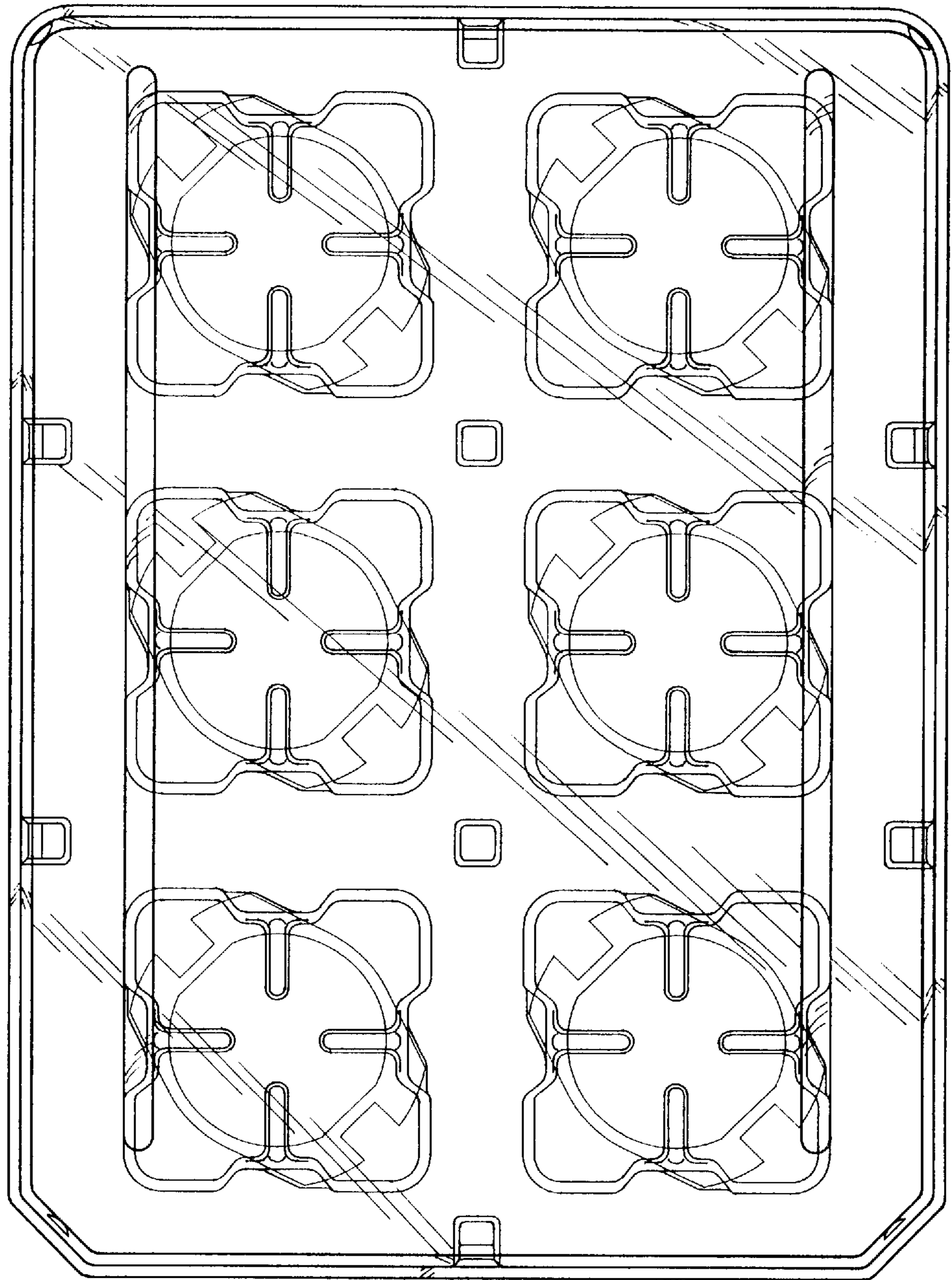


FIG-2

FIG-3

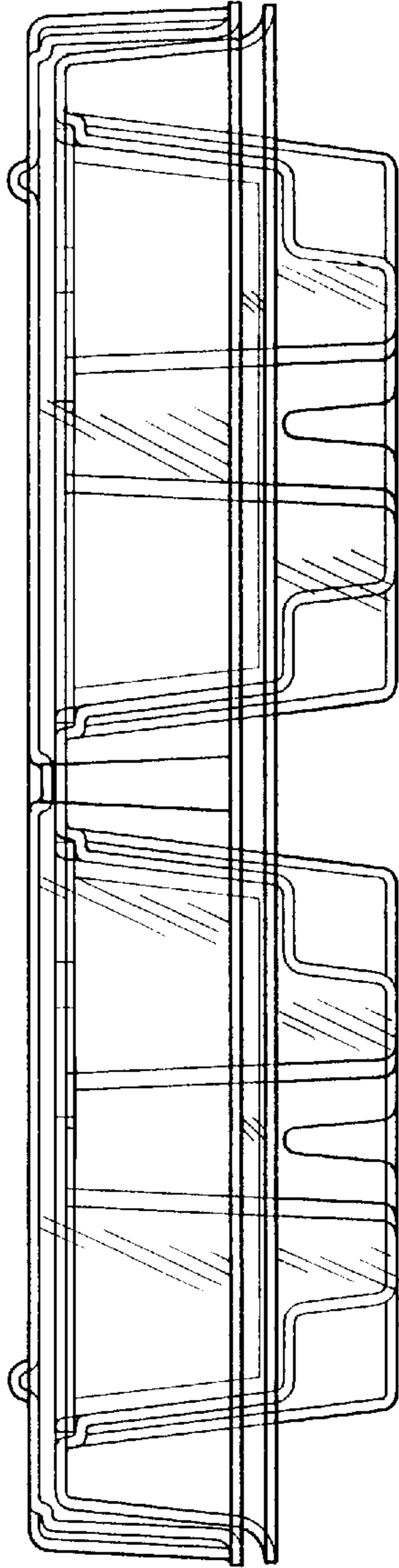


FIG-4

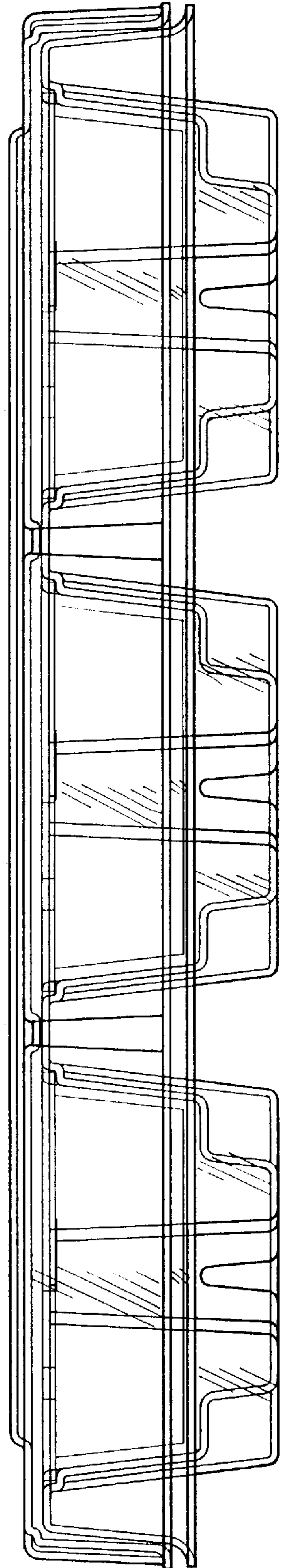


FIG-5

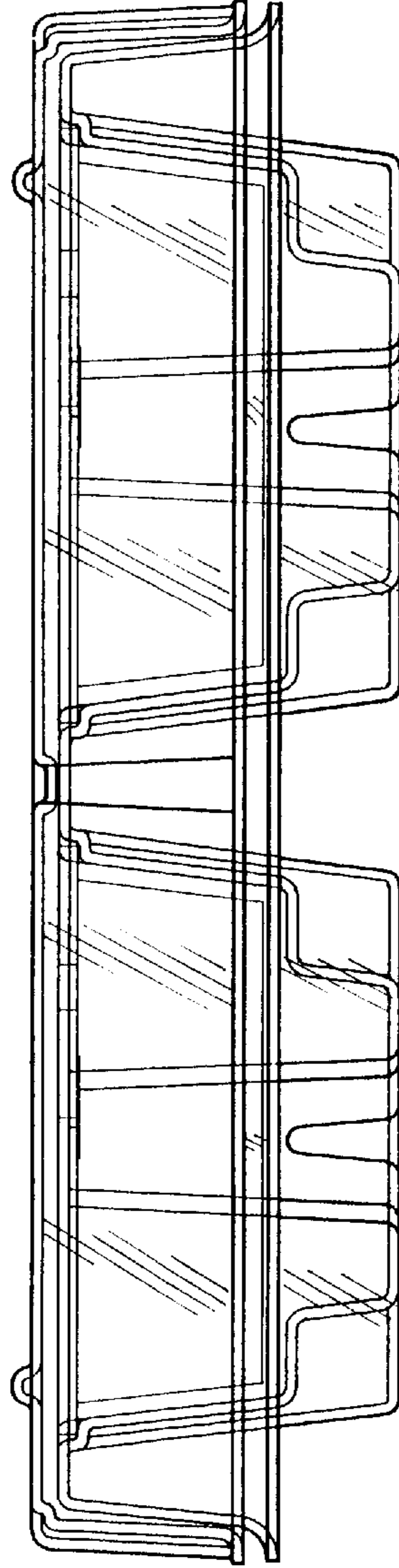


FIG-6

