



US00D407825S

United States Patent [19]

Childs et al.

[11] Patent Number: **Des. 407,825**

[45] Date of Patent: ****Apr. 6, 1999**

[54] **OCTAGONAL DIAGNOSTIC TEST DEVICE**

[75] Inventors: **Mary Ann Childs**, Baltimore; **Thomas He**, Ellicot City; **Greg K. Shipman**, Baltimore, all of Md.; **William Trainor**, Hillsboro Beach, Fla.; **Erick Gray**; **Mohammud Afzal Chowdhury**, both of Columbia, Md.; **Joseph A. McClintock**, Baltimore; **David Bernstein**, Eldersburg, both of Md.

[73] Assignee: **Universal Healthwatch, Inc.**, Columbia, Md.

[**] Term: **14 Years**

[21] Appl. No.: **61,172**

[22] Filed: **Oct. 17, 1996**

[51] **LOC (6) Cl.** **24-02**

[52] **U.S. Cl.** **D24/223**

[58] **Field of Search** D24/223; 435/7.1; 522/56; 436/518, 809

[56] **References Cited**

U.S. PATENT DOCUMENTS

5,547,833 8/1996 Dorval 436/518
5,629,214 5/1997 Crosby 436/378

5,639,424 6/1997 Ravsnitz 436/809
5,658,801 8/1997 Possani et al. 436/518
5,698,450 12/1997 Ringrese et al. 436/809
5,723,345 3/1998 Yamauchi et al. 435/7.1
5,766,937 6/1998 Lahm et al. 436/809
5,783,446 7/1998 Saul et al. 435/7.1

Primary Examiner—Louis S. Zarfaz
Assistant Examiner—G. Andoll
Attorney, Agent, or Firm—Foley & Lardner

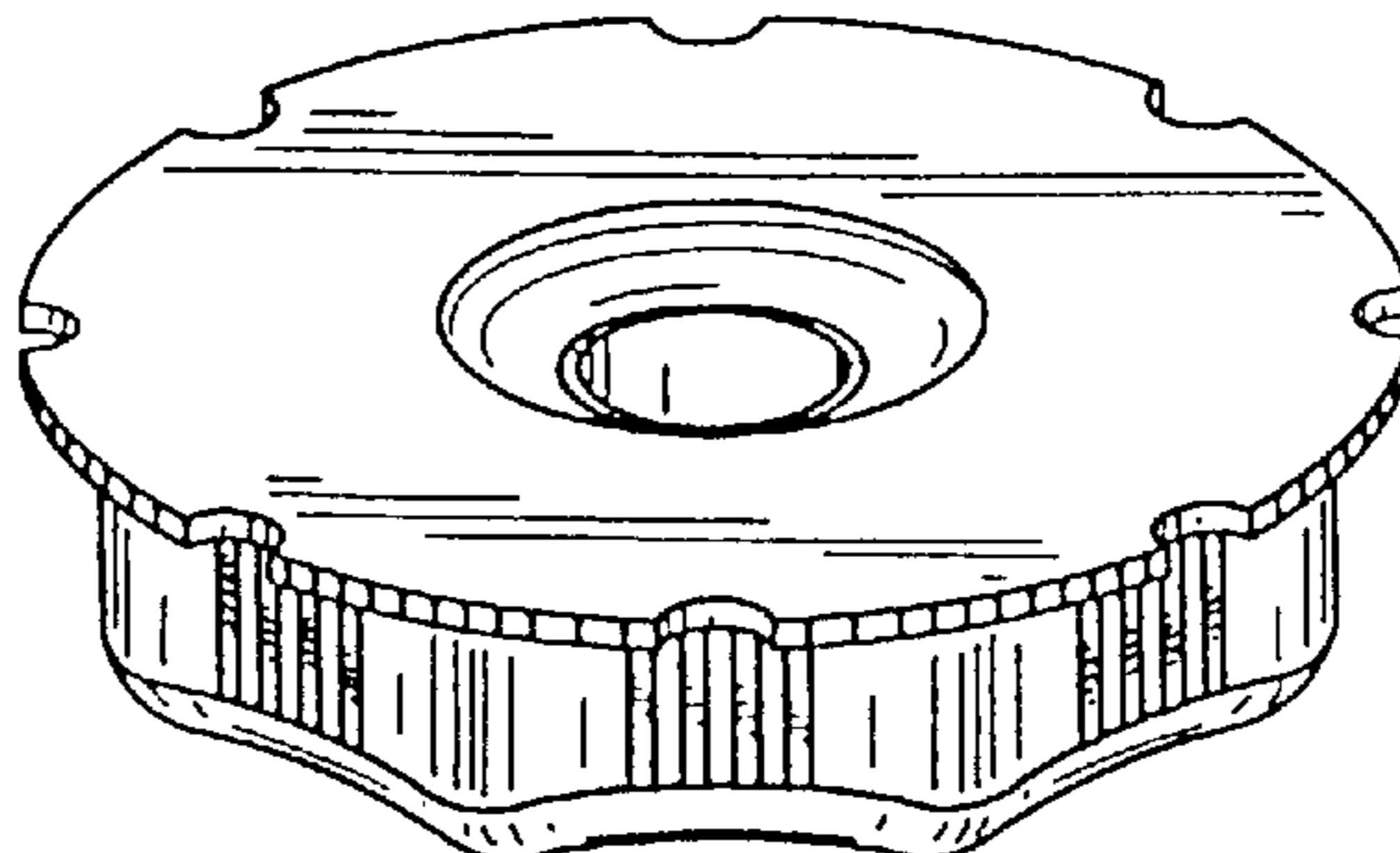
[57] **CLAIM**

The ornamental design for an octagonal diagnostic testing device, as shown and described.

DESCRIPTION

FIG. 1 is a top perspective view of an octagonal diagnostic test device, showing our new design; FIG. 2 is a side elevation thereof, the opposite side being a mirror image thereof; FIG. 3 is a bottom plan view thereof; FIG. 4 is a top plan view thereof; FIG. 5 is a top perspective view of a second embodiment of the octagonal diagnostic test device; FIG. 6 is a side elevation thereof, the opposite side being a mirror image thereof; FIG. 7 is a bottom plan view thereof; and, FIG. 8 is a top plan view thereof.

1 Claim, 2 Drawing Sheets



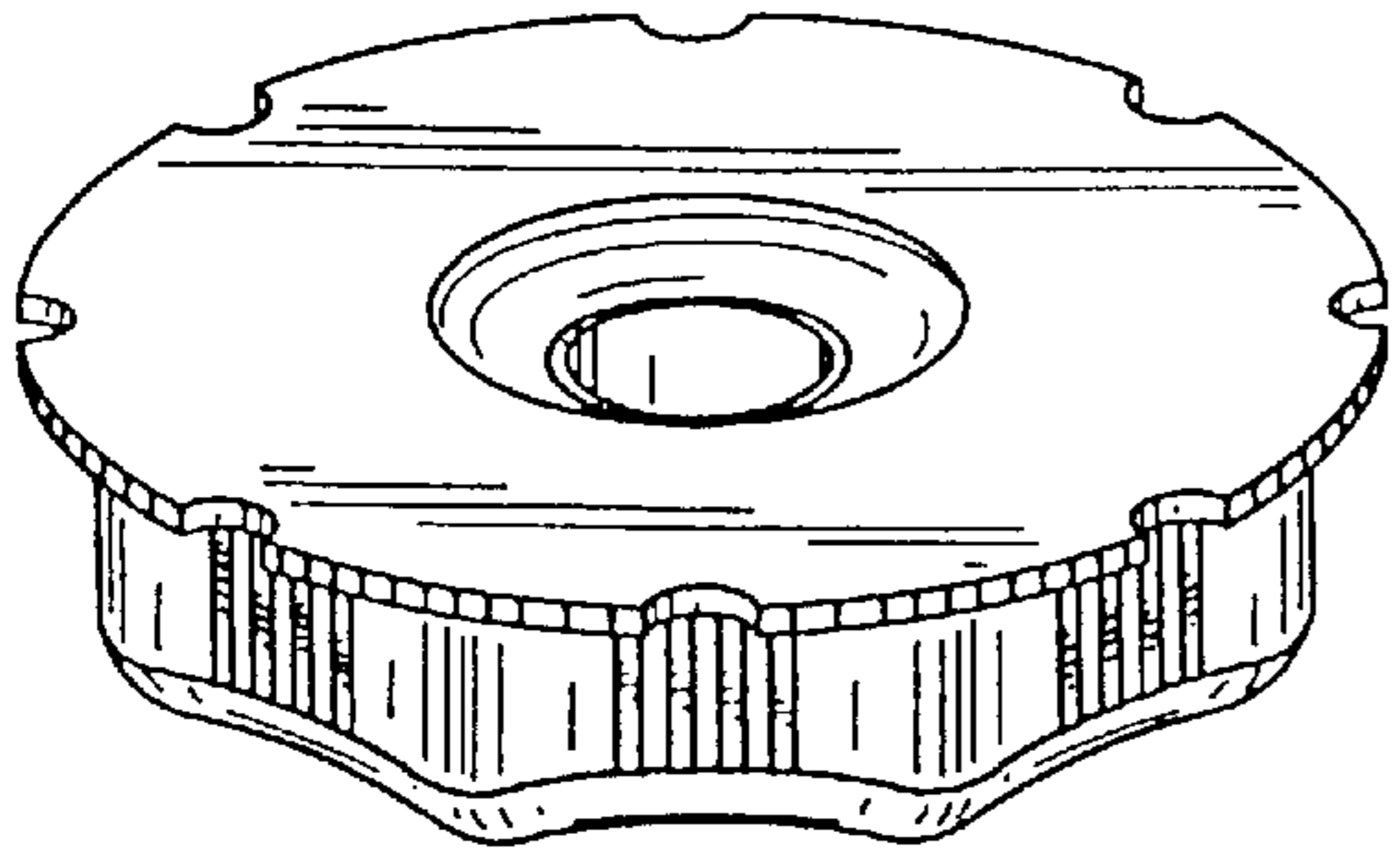


FIG. 1

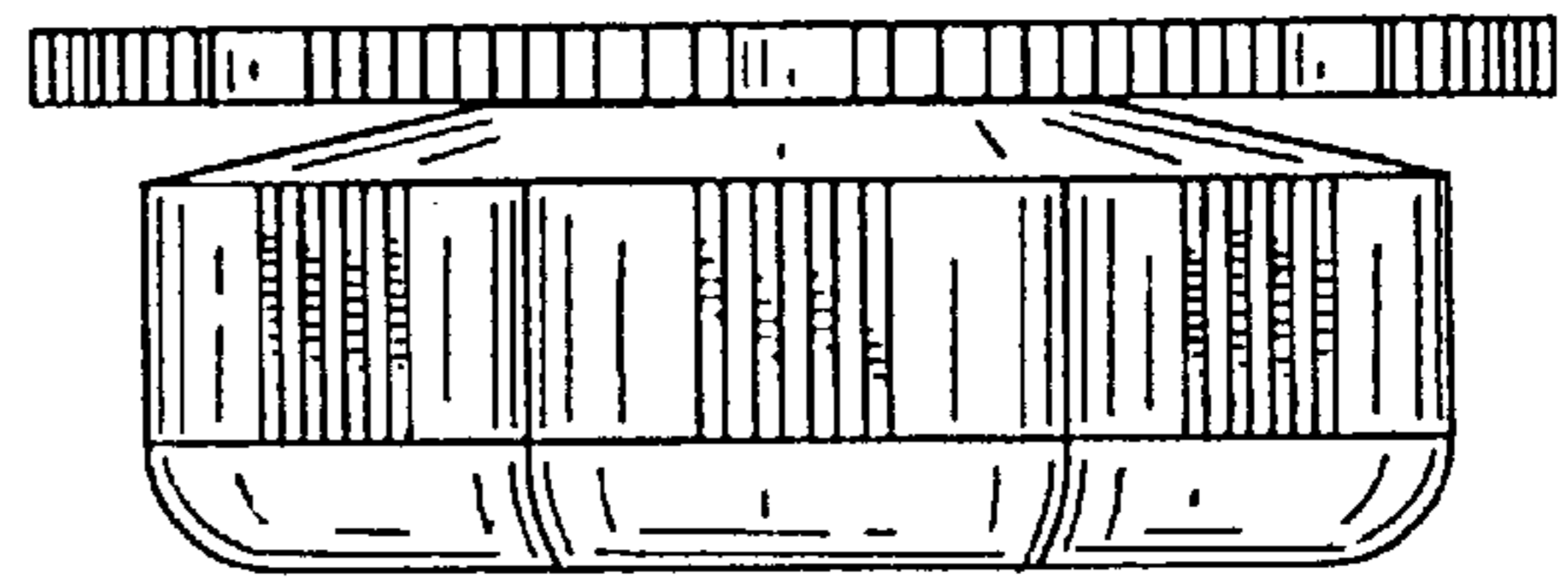


FIG. 2

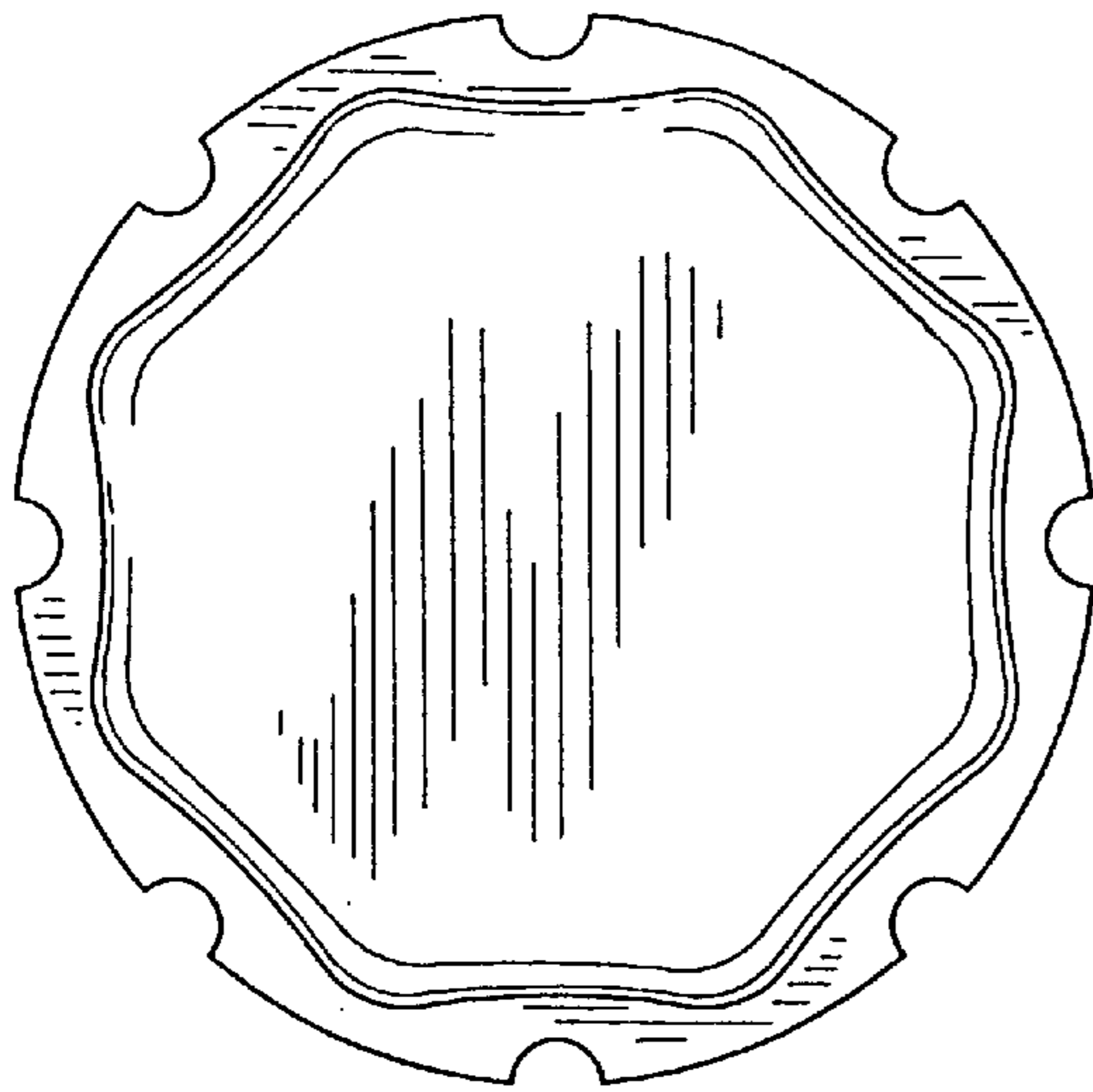
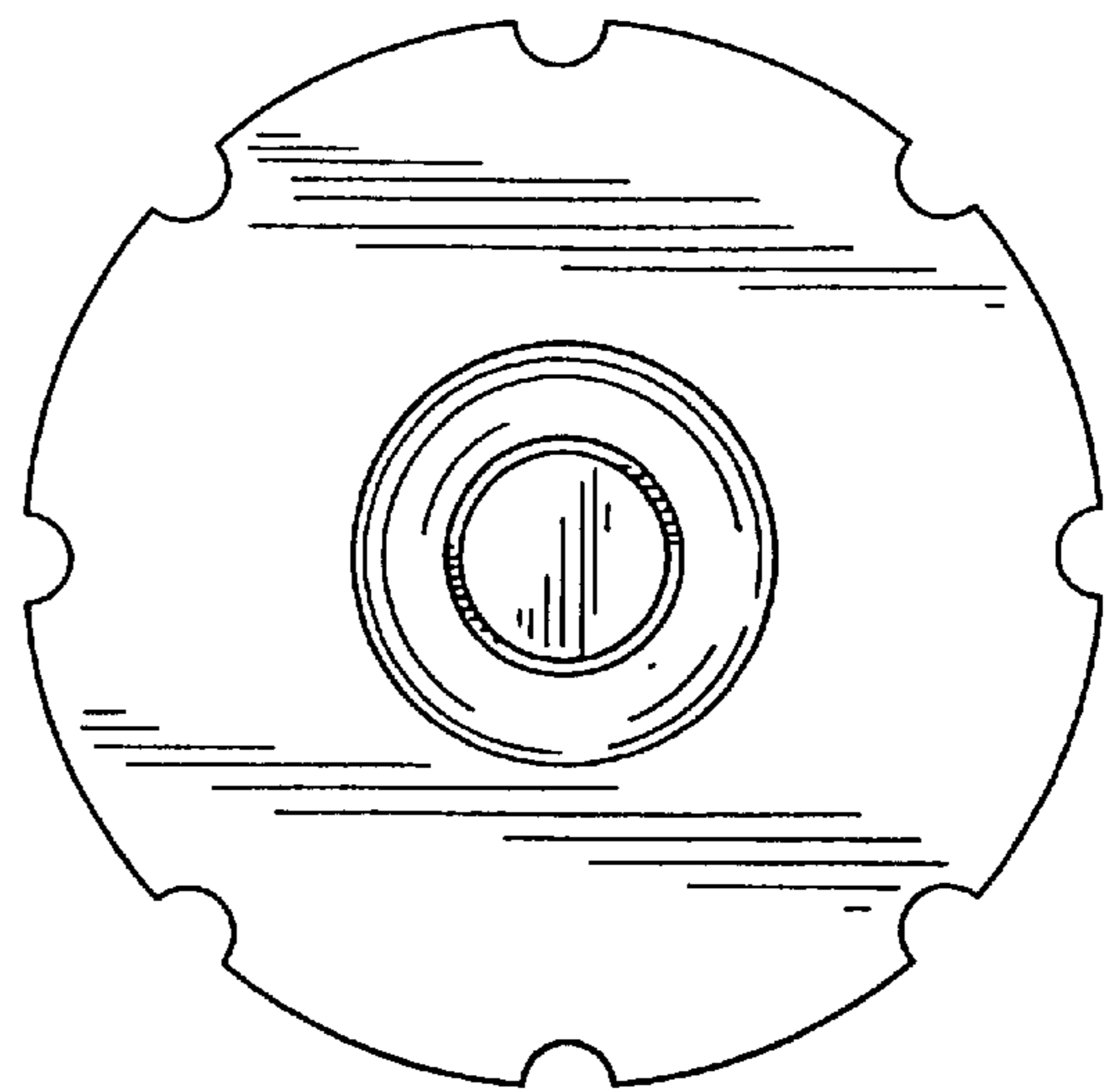


FIG. 3

FIG. 4



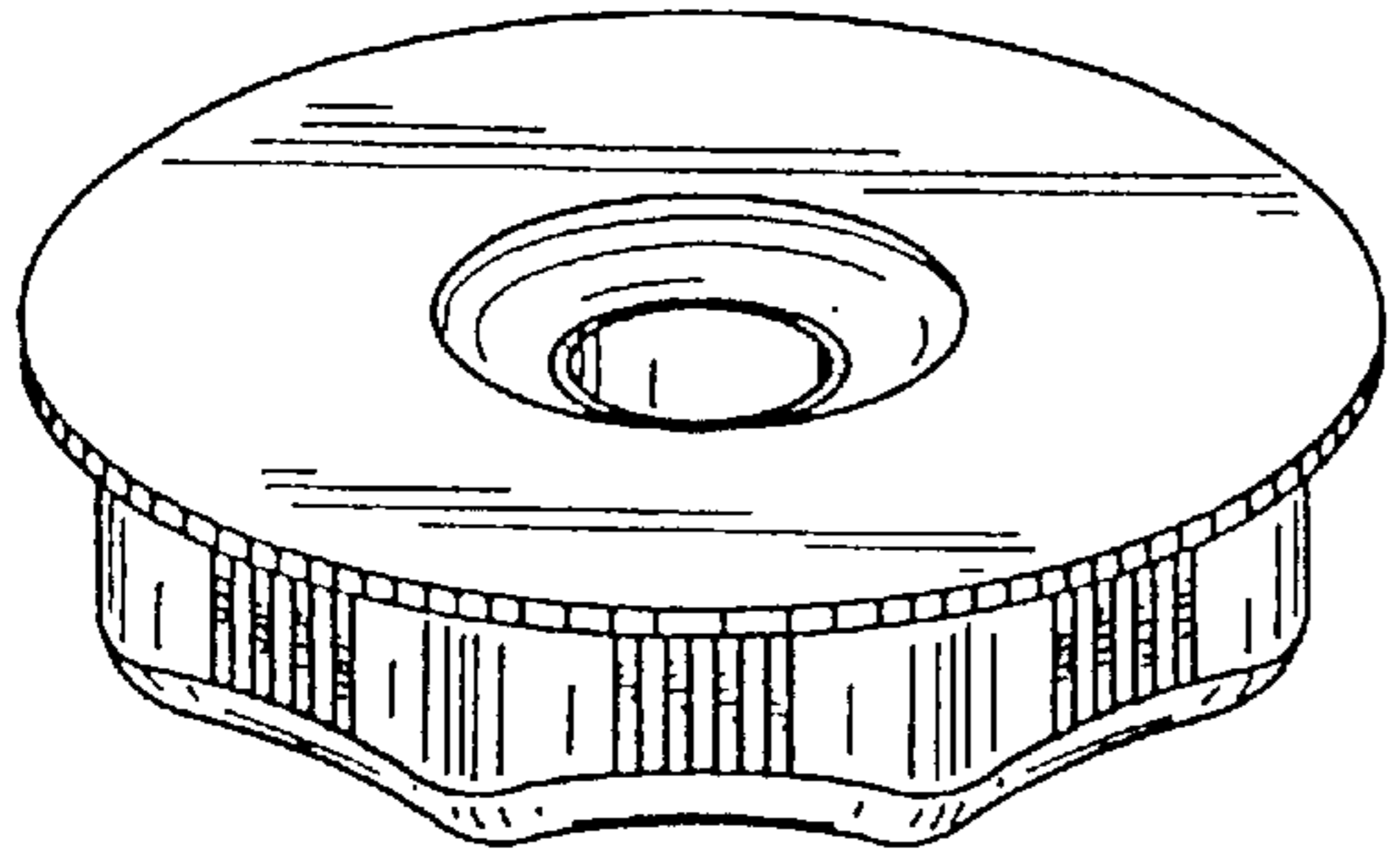


FIG. 5

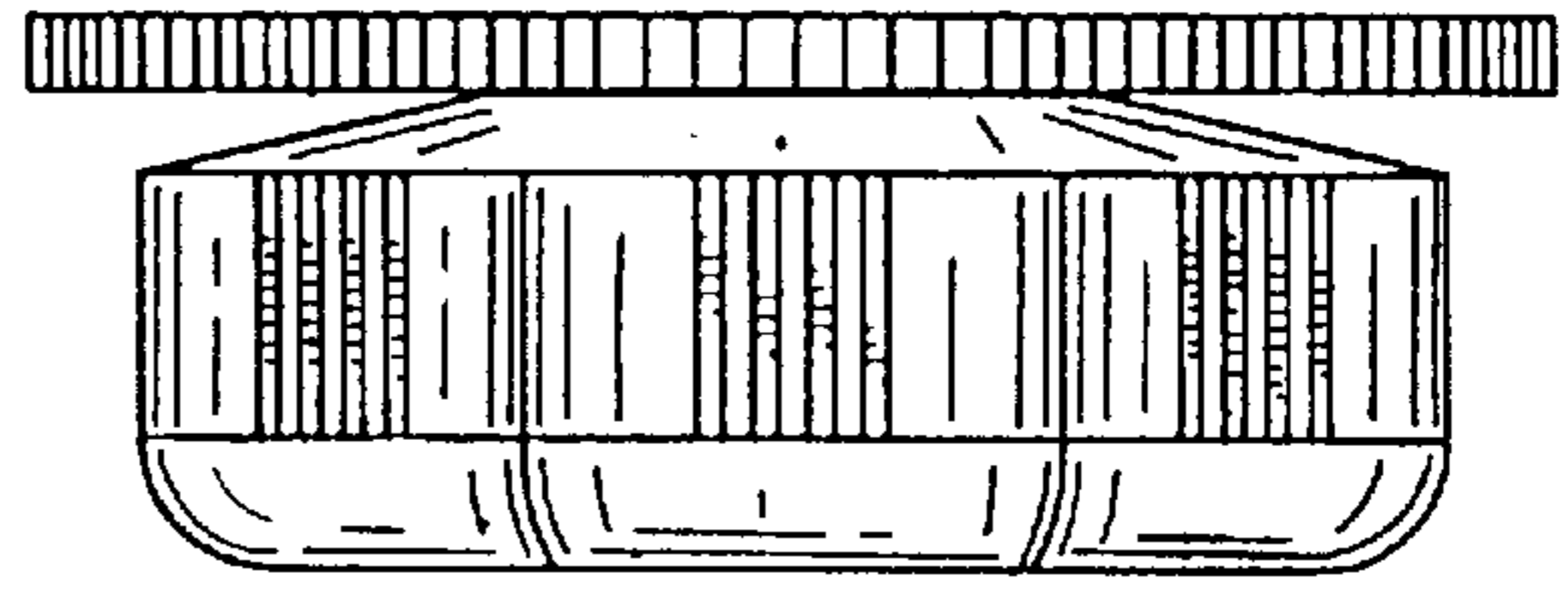


FIG. 6

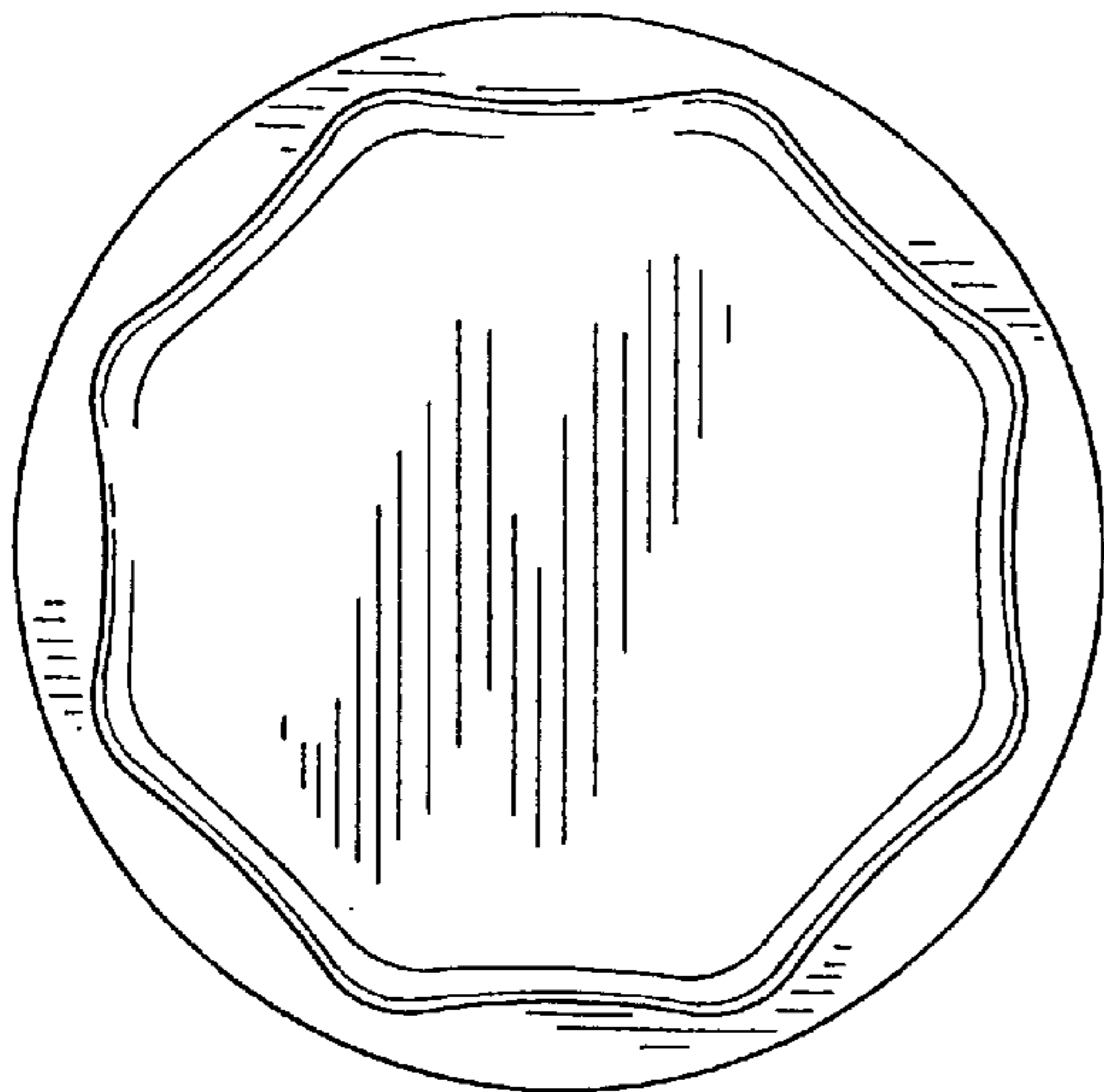


FIG. 7

FIG. 8

