



US00D407820S

United States Patent [19]

Sullenberger et al.

[11] Patent Number: Des. 407,820

[45] Date of Patent: **Apr. 6, 1999

[54] **WRIST HOLDER FOR MRI APPARATUS**

[75] Inventors: **Peter C. Sullenberger**, Seattle, Wash.;
Masaaki Sakuma, Tokyo, Japan; **Kenji Suzuki**, Tokyo, Japan; **Kazuhiko Hayakawa**, Kanagawa, Japan; **Yasushi Kato**, Tokyo, Japan

[73] Assignee: **GE Yokogawa Medical Systems, Limited**, Tokyo, Japan

[**] Term: **14 Years**

[21] Appl. No.: **77,189**

[22] Filed: **Sep. 29, 1997**

[51] **LOC (6) Cl.** **24-01**

[52] **U.S. Cl.** **D24/184; D24/158; D24/159; D24/183**

[58] **Field of Search** D24/158, 159, D24/183, 184; 5/623, 646, 621, 677; 324/318; 600/410, 415

[56] **References Cited**

U.S. PATENT DOCUMENTS

D. 299,539 1/1989 Kennedy D24/183

D. 360,947 8/1995 Saks-Cohan D24/158
4,858,903 8/1989 Tari et al. 5/623
5,085,219 2/1992 Orendahl et al. 600/422
5,166,618 11/1992 Jones et al. 324/318
5,329,924 7/1994 Bonutti 600/415
5,541,515 7/1996 Tsujita 324/318

Primary Examiner—Louis S. Zarfaz
Assistant Examiner—Gregory Andoll
Attorney, Agent, or Firm—Moonray Kojima

[57] **CLAIM**

The ornamental design for a wrist holder for MRI apparatus, as shown and described.

DESCRIPTION

FIG. 1 is a top perspective view of a wrist holder for MRI apparatus, with the bottom tongue in the open position, showing my new design;
FIG. 2 is a front elevational view thereof, with the bottom tongue in the closed position;
FIG. 3 is a top view of FIG. 1;
FIG. 4 is a rear elevational view thereof;
FIG. 5 is a bottom view of FIG. 1; and,
FIG. 6 is a right elevational view of FIG. 2; the left side being a mirror image thereof.

1 Claim, 4 Drawing Sheets

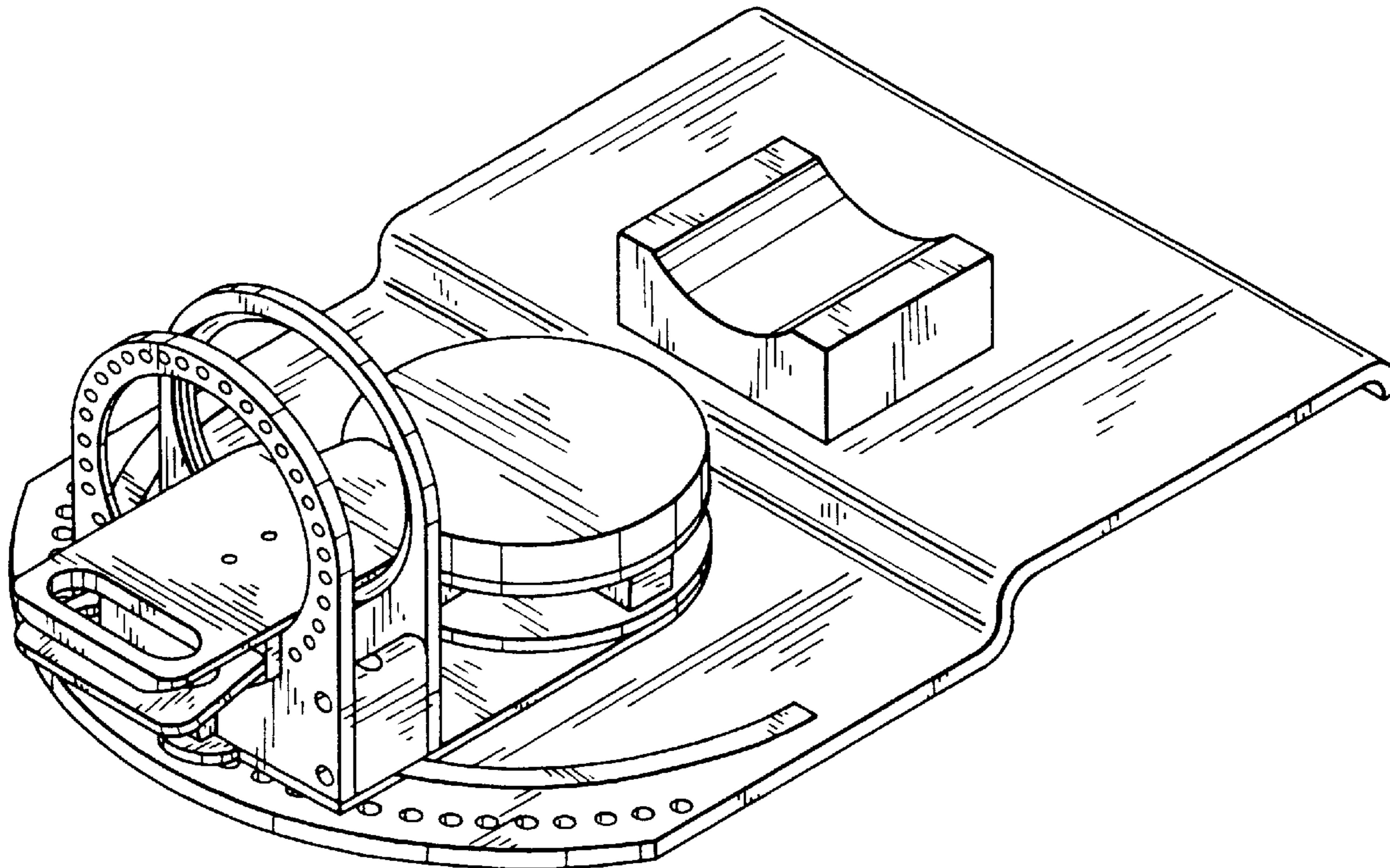


FIG. 1

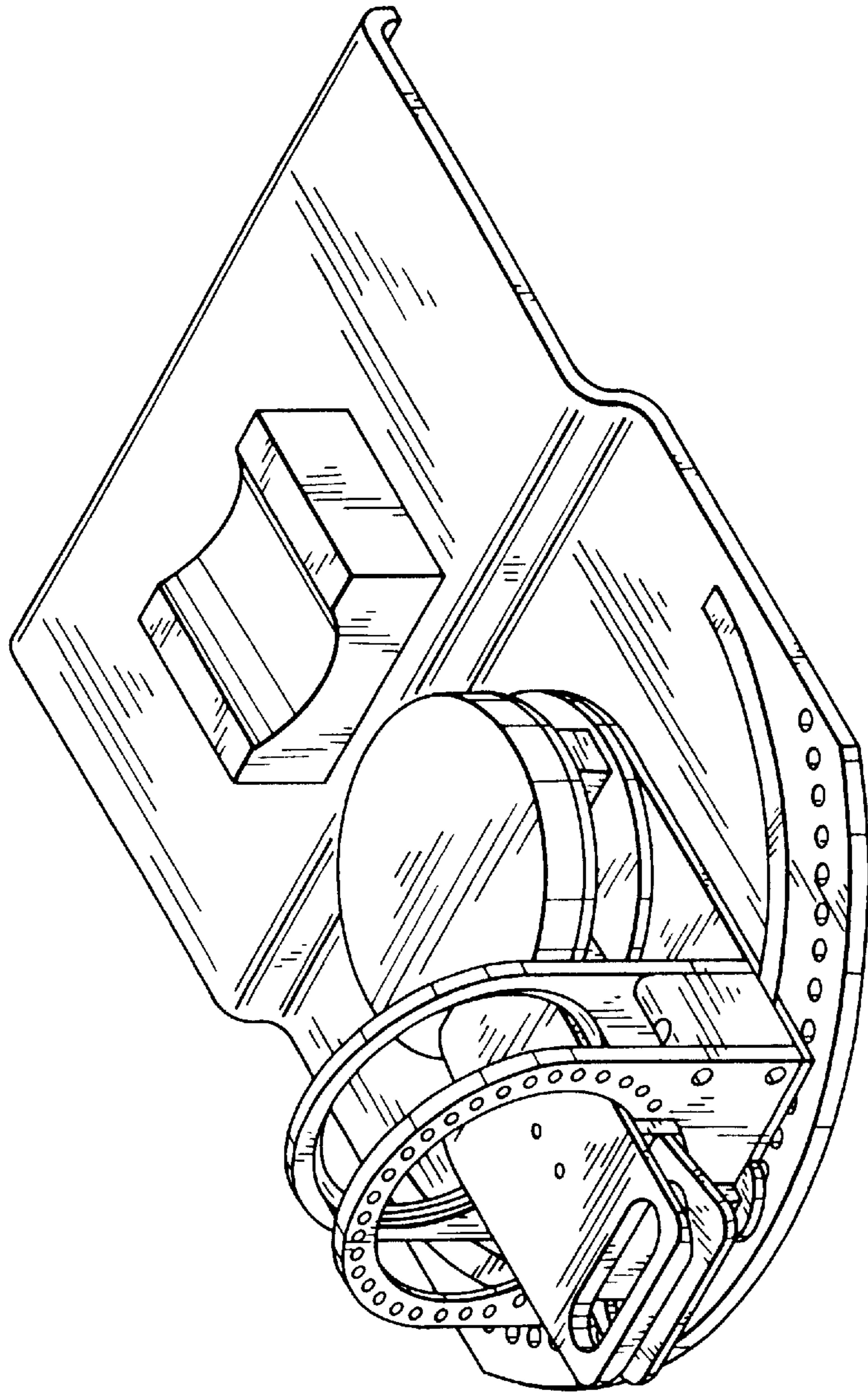


FIG. 2

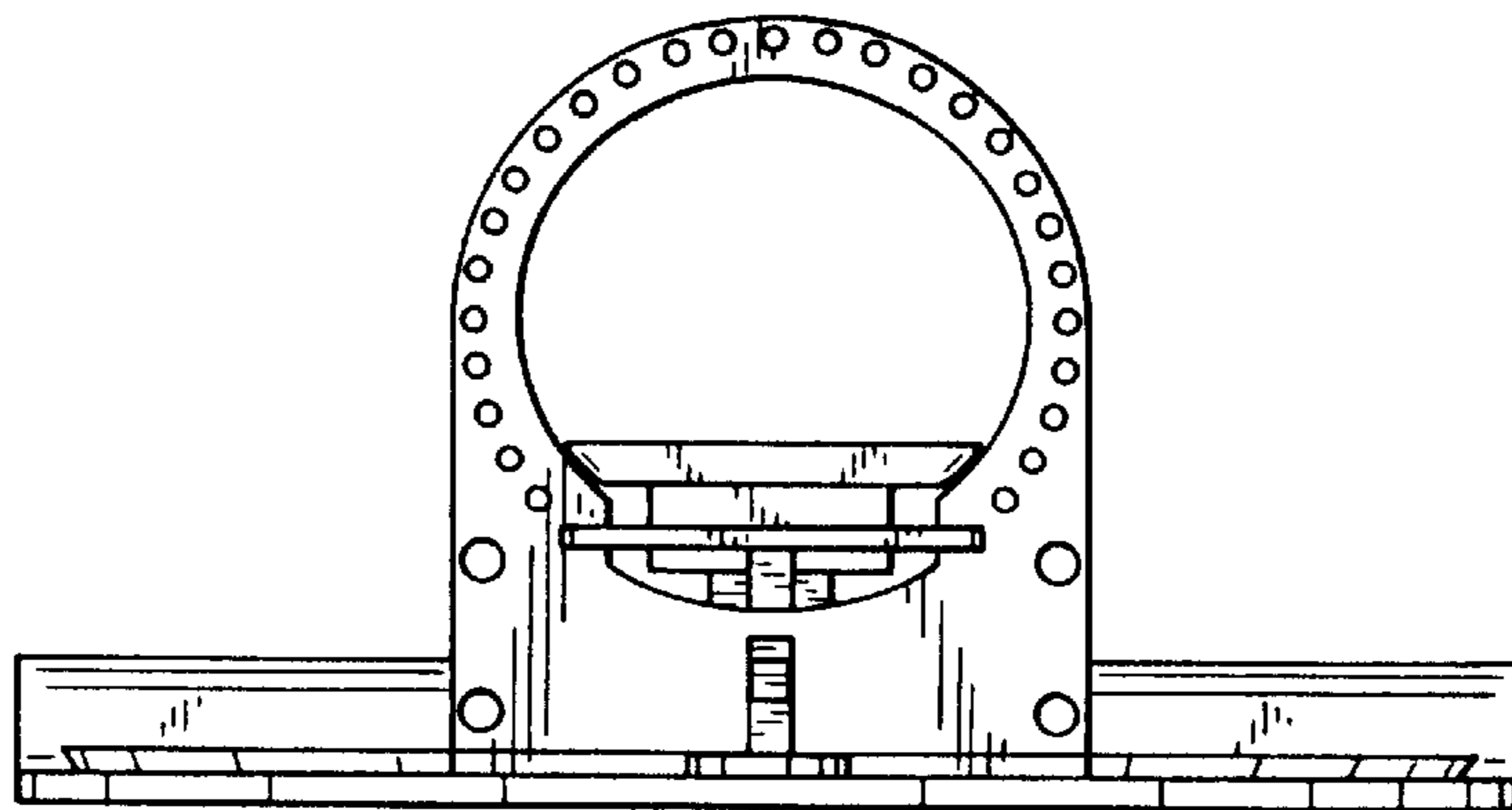


FIG. 3

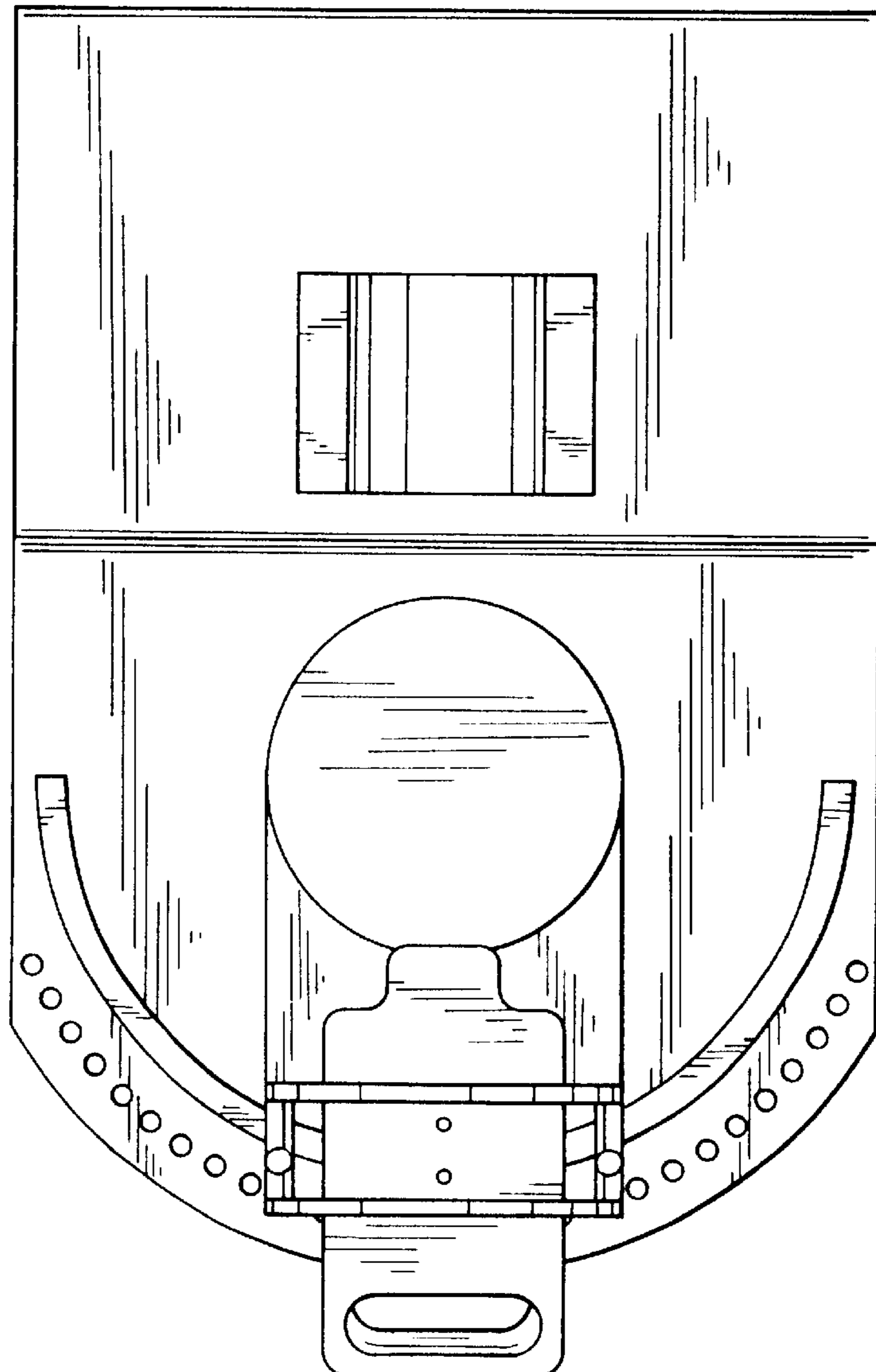


FIG. 4

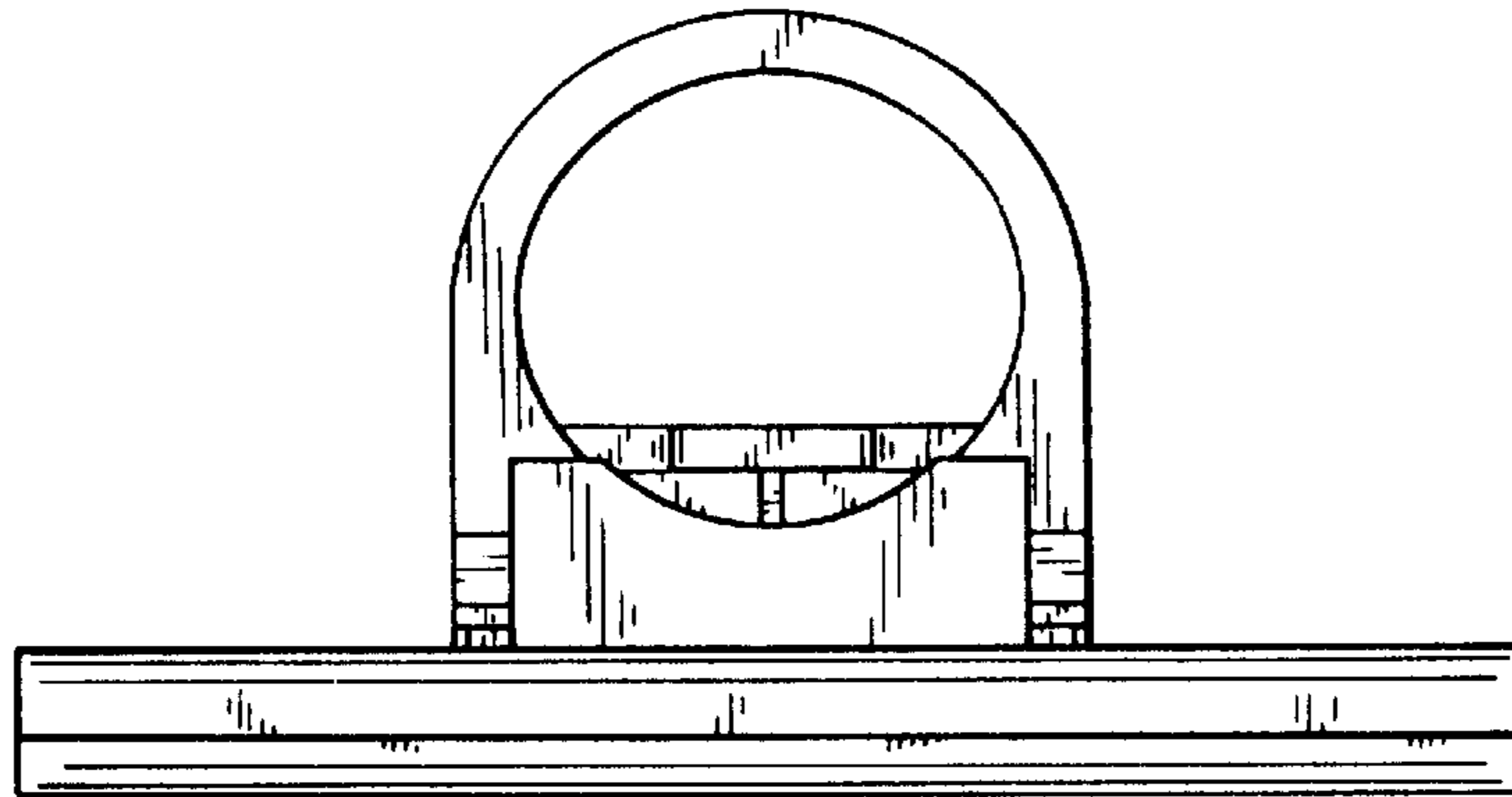


FIG. 5

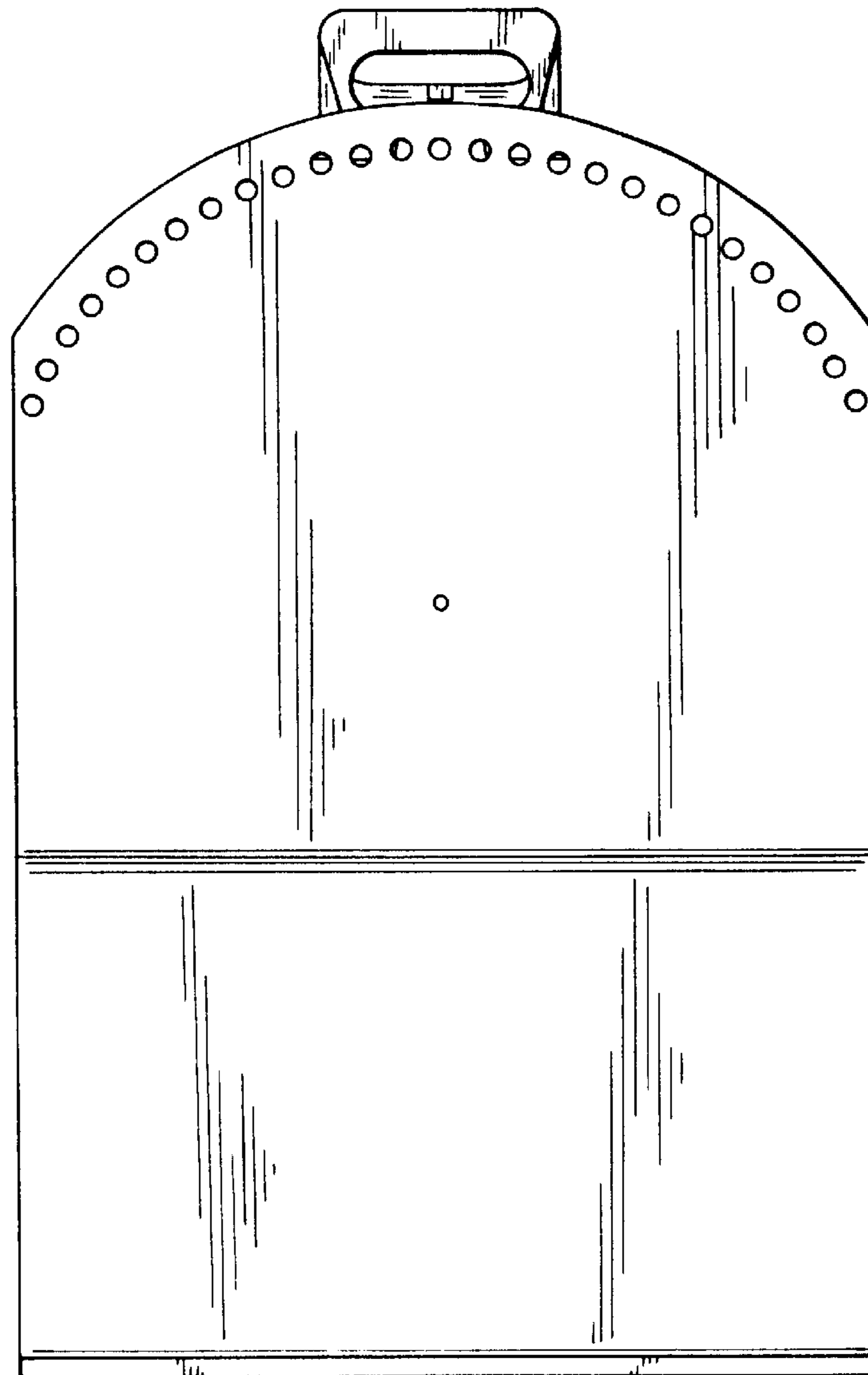


FIG. 6

