



US00D407819S

United States Patent [19] Markoll

[11] **Patent Number: Des. 407,819**

[45] **Date of Patent: **Apr. 6, 1999**

[54] **TREATMENT BED**

5,667,469 9/1997 Zhang et al. 600/9
5,788,624 8/1998 Lu et al. 600/9

[75] Inventor: **Richard Markoll**, Boca Raton, Fla.

Primary Examiner—Stella Reid
Attorney, Agent, or Firm—Dallett Hoopes

[73] Assignee: **Bio-Magnetic Therapy Systems, Inc.**,
Boca Raton, Fla.

[**] Term: **14 Years**

[57] **CLAIM**

I claim the ornamental design for a treatment bed, as shown and described.

[21] Appl. No.: **77,800**

[22] Filed: **Oct. 14, 1997**

DESCRIPTION

[51] **LOC (6) Cl.** **24-01**

[52] **U.S. Cl.** **D24/183**

[58] **Field of Search** D24/183; 600/9,
600/10, 12, 14, 15

FIG. 1 is a perspective view of my new design;
FIG. 2 is a top plan view;
FIG. 3 is a front elevational view;
FIG. 4 is a right end elevational view; and,
FIG. 5 is a bottom plan view.

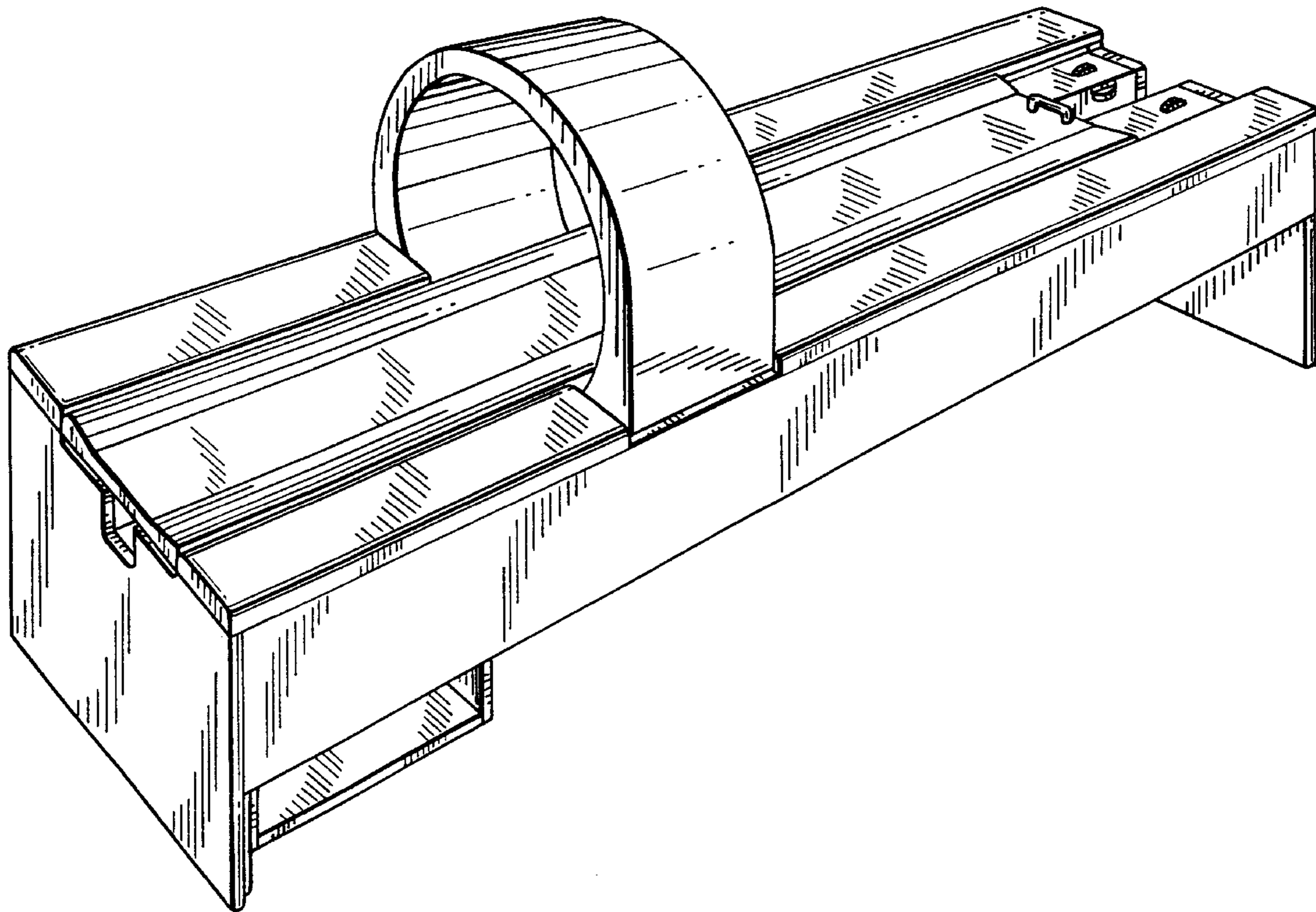
The left side elevational view is a mirror image of the right end elevational view. The rear elevational view is a mirror image of the front elevational view.

[56] **References Cited**

U.S. PATENT DOCUMENTS

5,453,073 9/1995 Markoll 600/14
5,529,569 6/1996 Woo 600/9

1 Claim, 5 Drawing Sheets



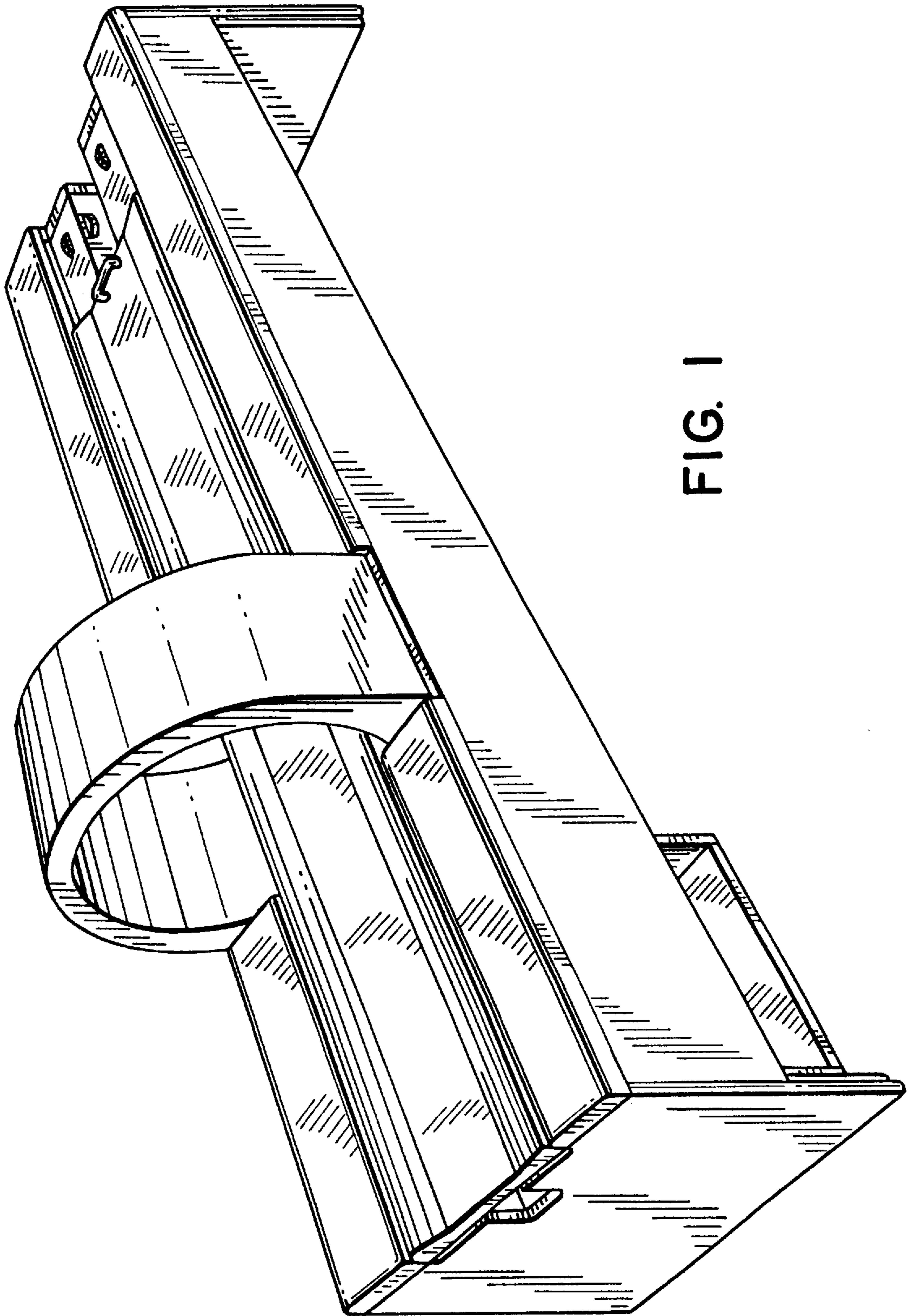


FIG. 1

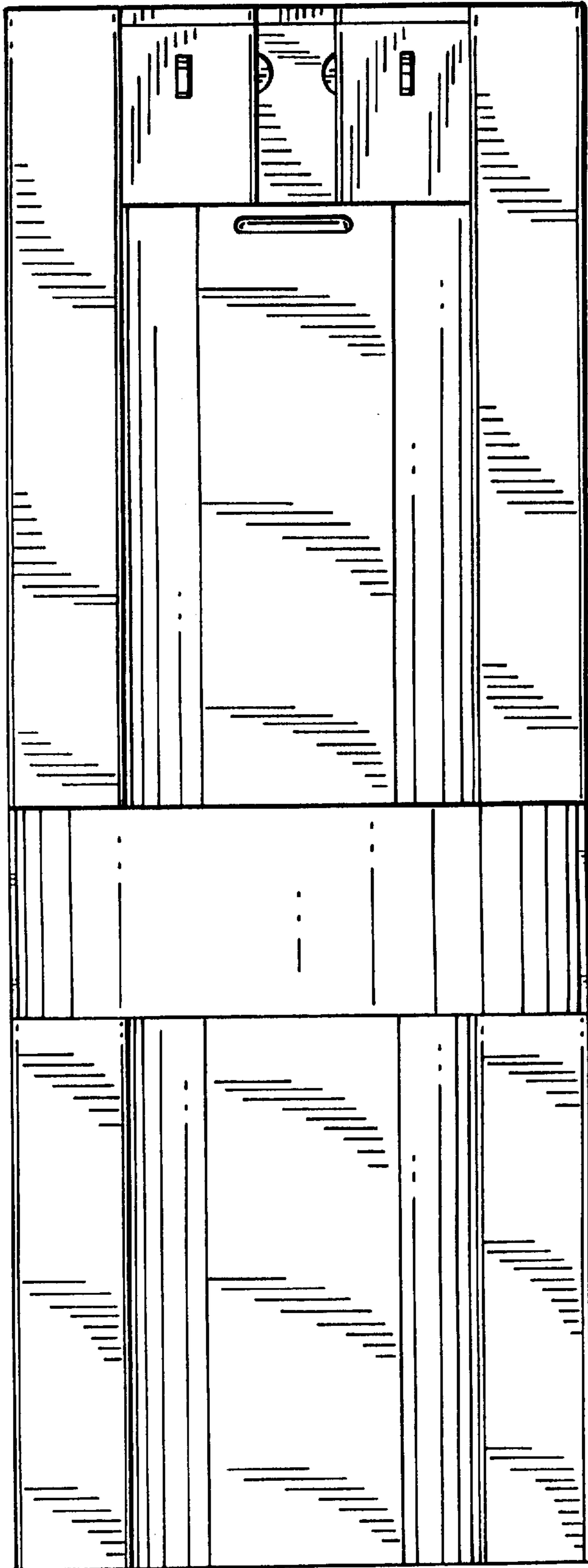


FIG. 2

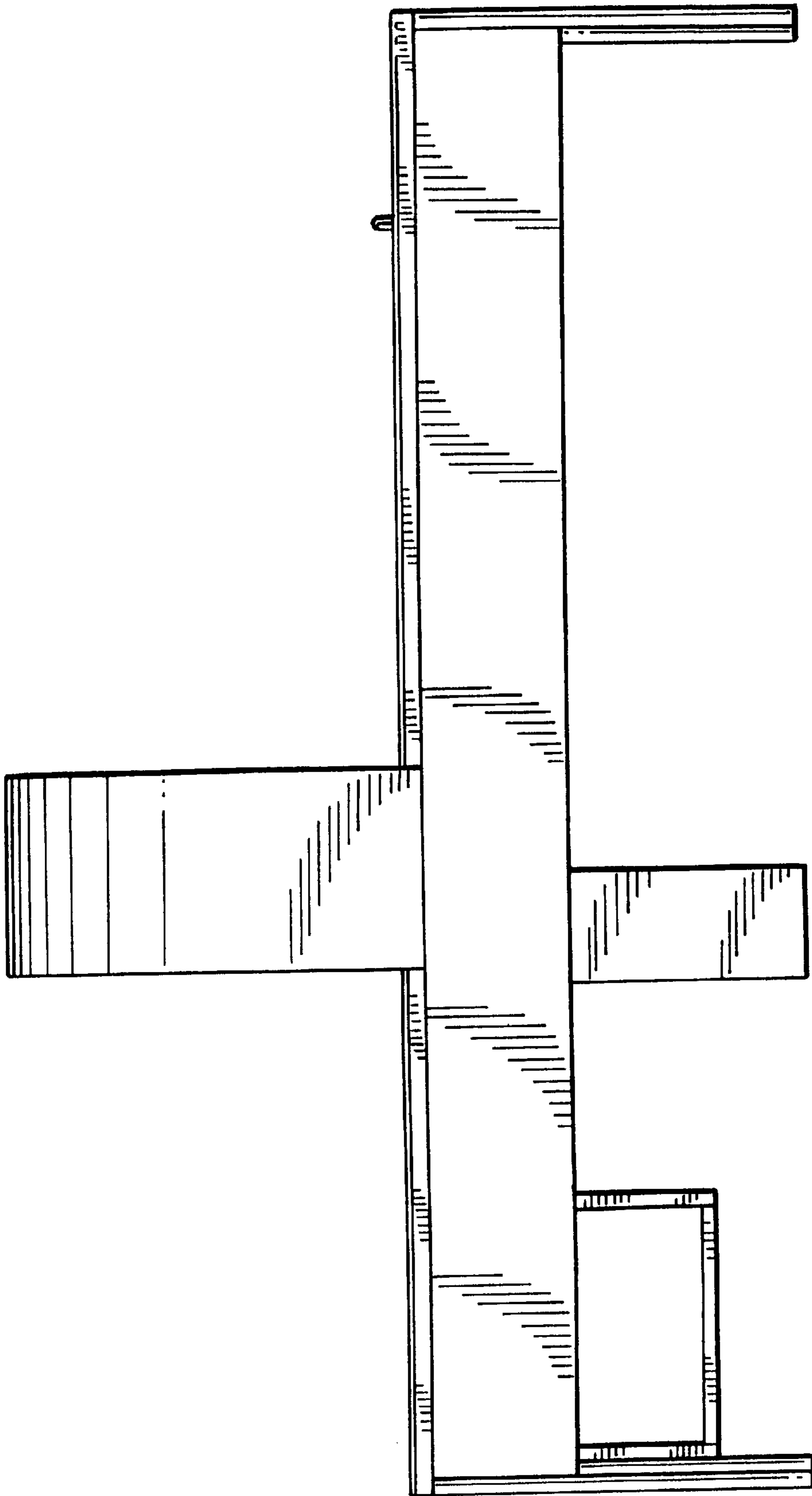


FIG. 3

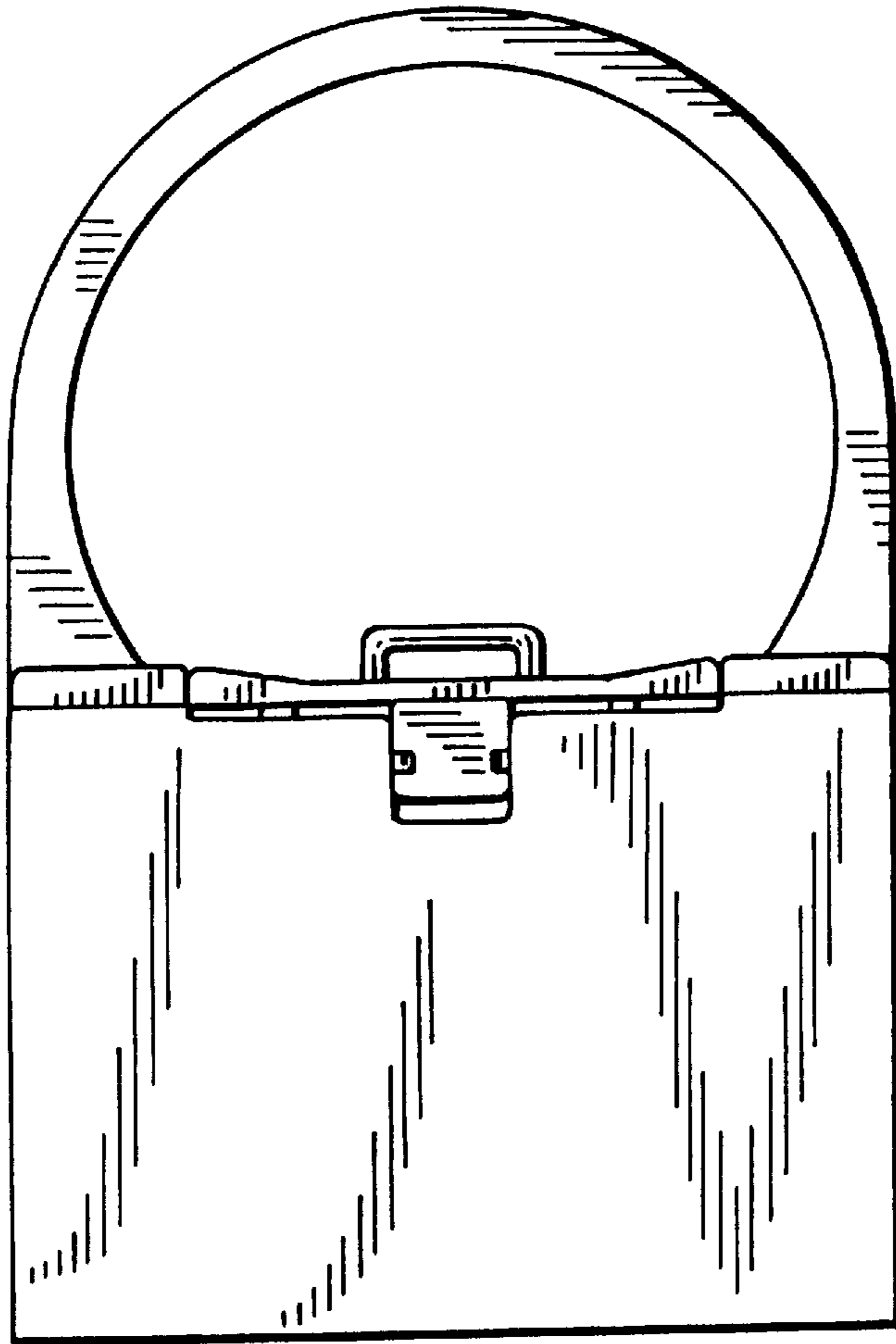


FIG. 4

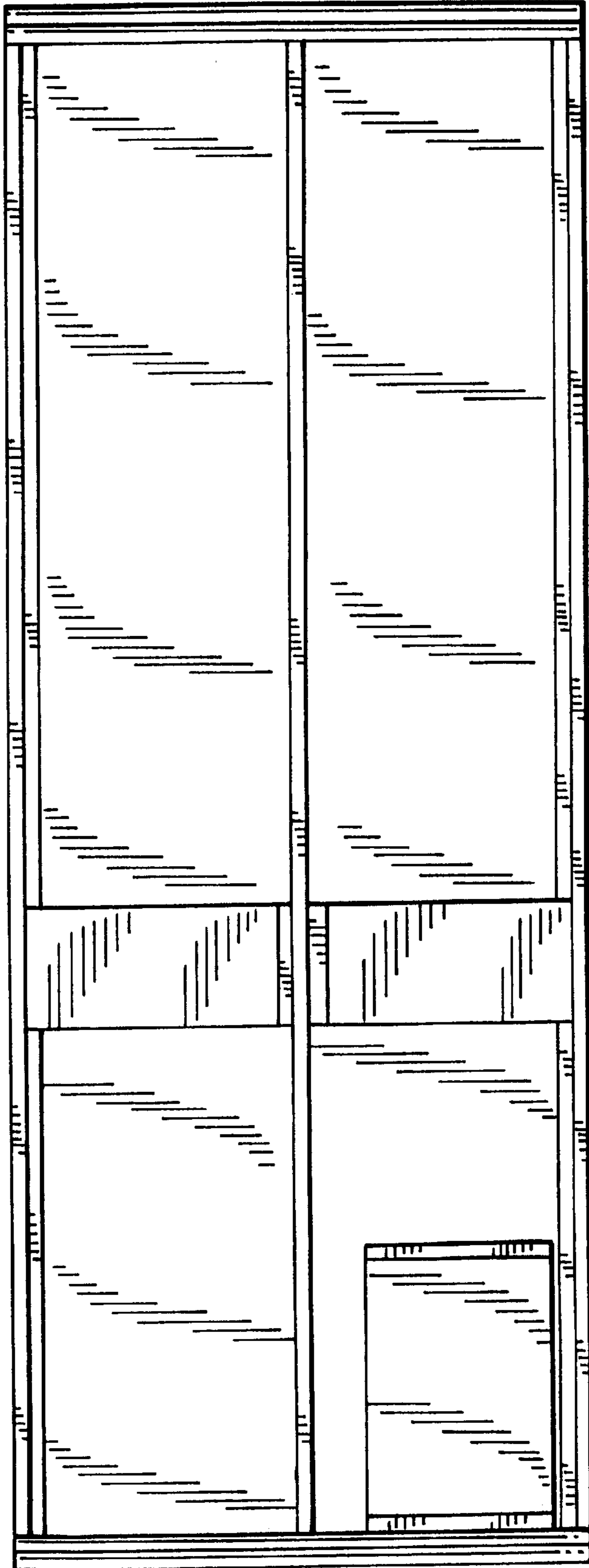


FIG. 5