



US00D407815S

# United States Patent [19] Piontek et al.

[11] **Patent Number: Des. 407,815**  
[45] **Date of Patent: \*\*Apr. 6, 1999**

[54] **FLUID DELIVERY SET**

[75] Inventors: **Carl Joseph Piontek**, Powell; **Robert Donald Clegg**, Pickerington; **Bradford Lynn Buck**, Gahanna; **Matthew Scott Fleming**; **Grant Richard Wilson**, both of Columbus; **William Edward Patton**, Dublin; **William Fred Lyon**, Marengo, all of Ohio

[73] Assignee: **Abbott Laboratories**, Abbott Park, Ill.

[\*\*] Term: **14 Years**

[21] Appl. No.: **65,460**

[22] Filed: **Jan. 22, 1997**

### Related U.S. Application Data

[62] Division of Ser. No. 44,271, Sep. 21, 1995, Pat. No. Des. 397,784.

[51] **LOC (6) Cl.** ..... **24-04**

[52] **U.S. Cl.** ..... **D24/108**

[58] **Field of Search** ..... D24/108, 111, D24/112, 118, 128, 107, 129; 604/27, 34, 36, 251, 264, 283, 284, 403, 410, 412, 413, 905, 4, 6, 30; 128/763-766

[56] **References Cited**

### U.S. PATENT DOCUMENTS

D. 242,653	12/1976	Ekbladh et al. ....	D24/118
D. 332,657	1/1993	Bamford .....	D24/108
D. 338,063	8/1993	Idowu .....	D24/112 X
D. 380,543	7/1997	Piontek et al. ....	D24/108
4,248,223	2/1981	Turner et al. ....	604/251 X
5,057,081	10/1991	Sunderland et al. ....	D24/108 X

*Primary Examiner*—Pamela Burgess  
*Attorney, Agent, or Firm*—Brian R. Woodworth; Daniel J. Hulseberg

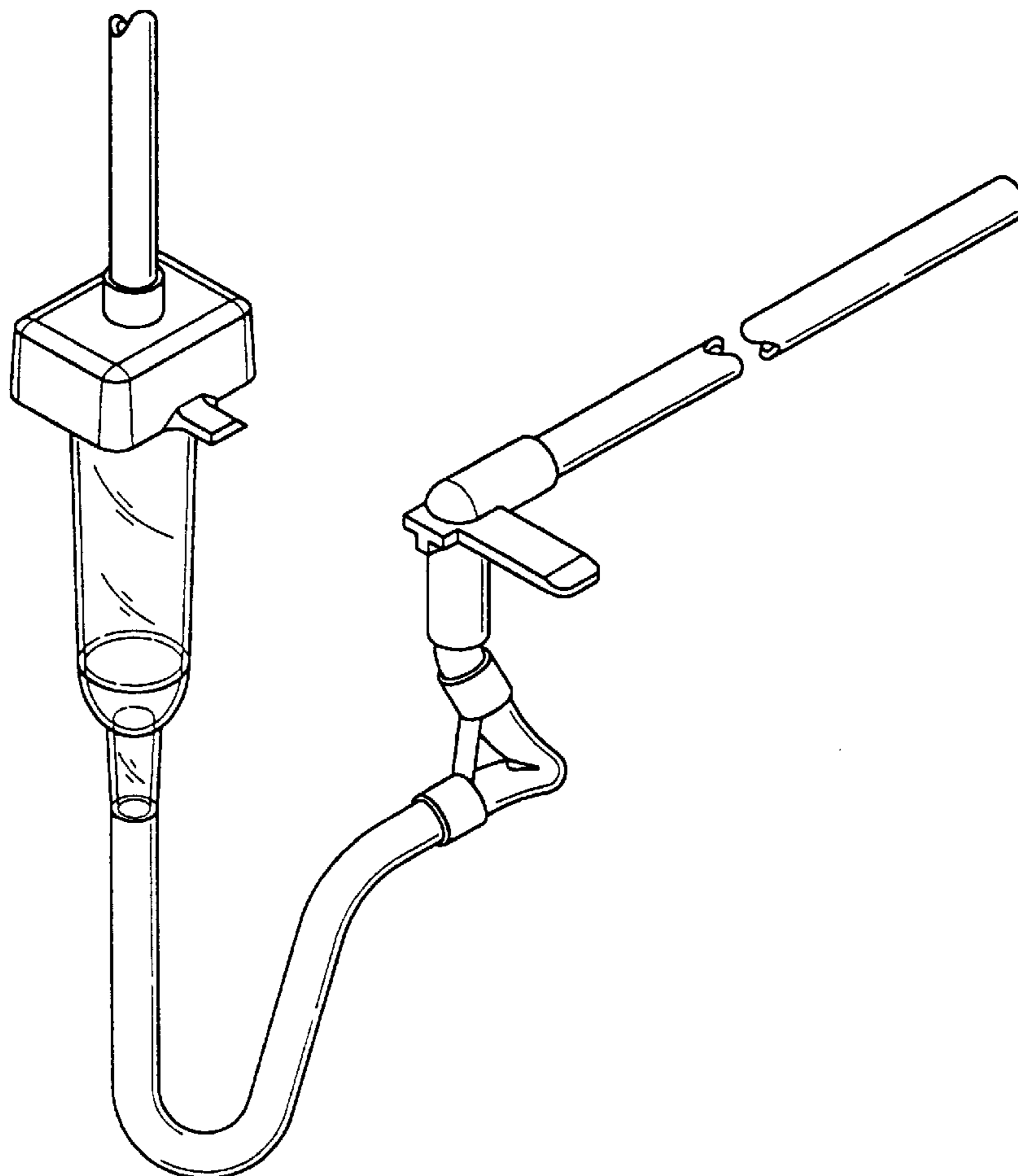
[57] **CLAIM**

The ornamental design for a fluid delivery set, as shown and described.

### DESCRIPTION

FIG. 1 is a perspective view of a fluid delivery set showing our new design;  
FIG. 2 is a front elevation view thereof;  
FIG. 3 is a top view thereof;  
FIG. 4 is a right side elevation view thereof;  
FIG. 5 is a left side elevation view thereof;  
FIG. 6 is a rear elevation view thereof; and,  
FIG. 7 is a bottom view thereof.

**1 Claim, 3 Drawing Sheets**



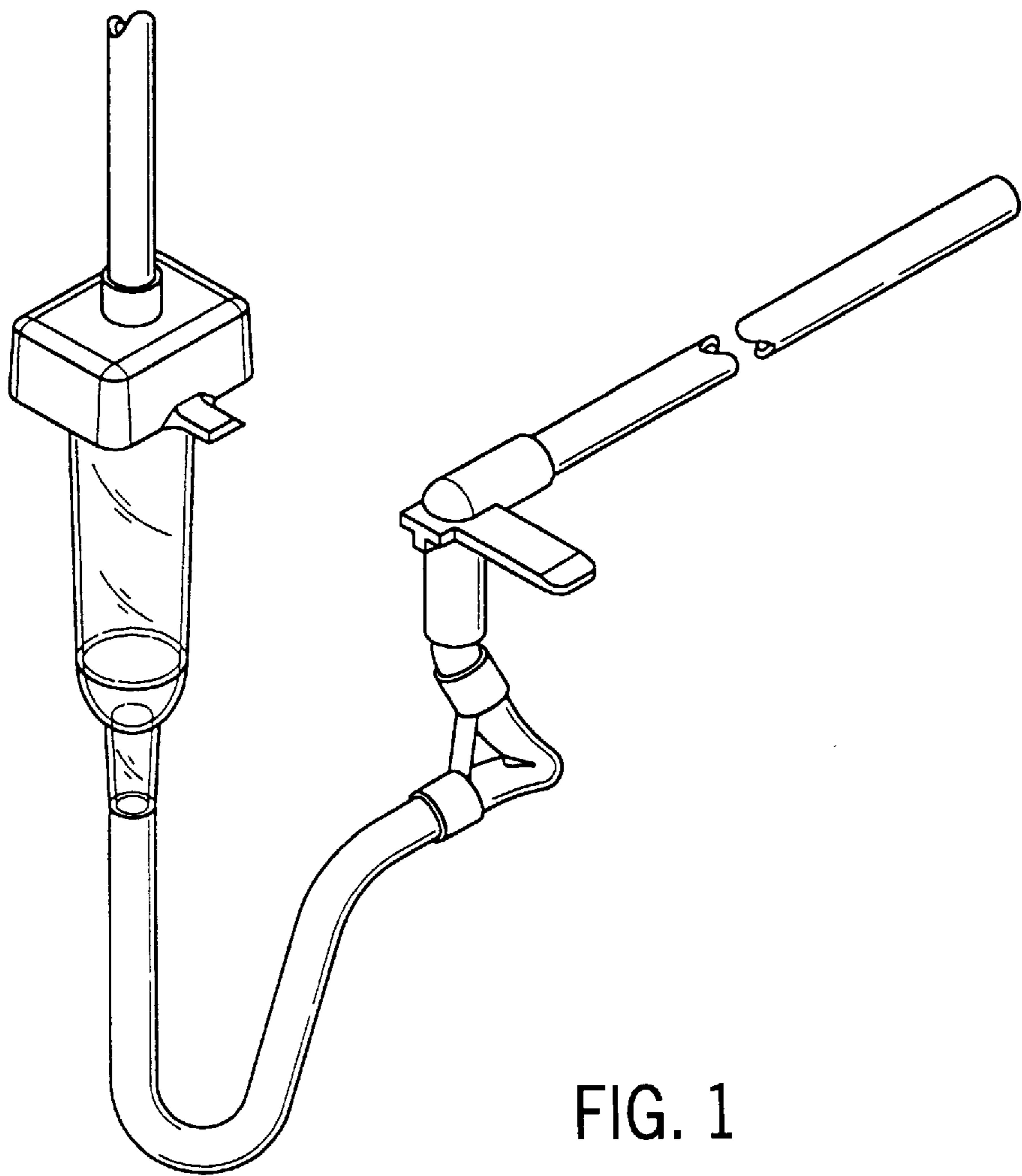


FIG. 1

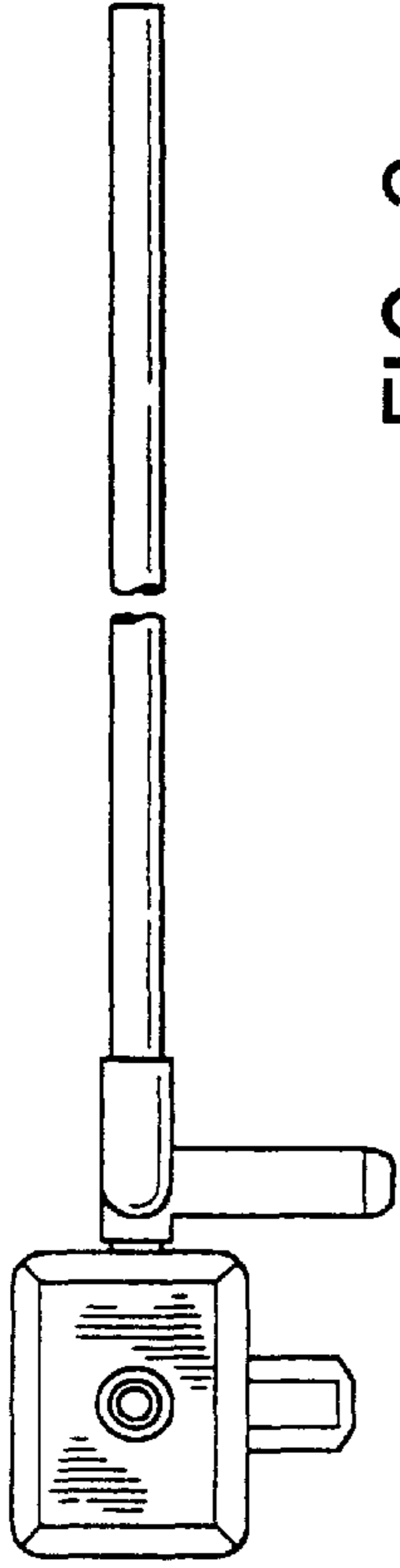


FIG. 3

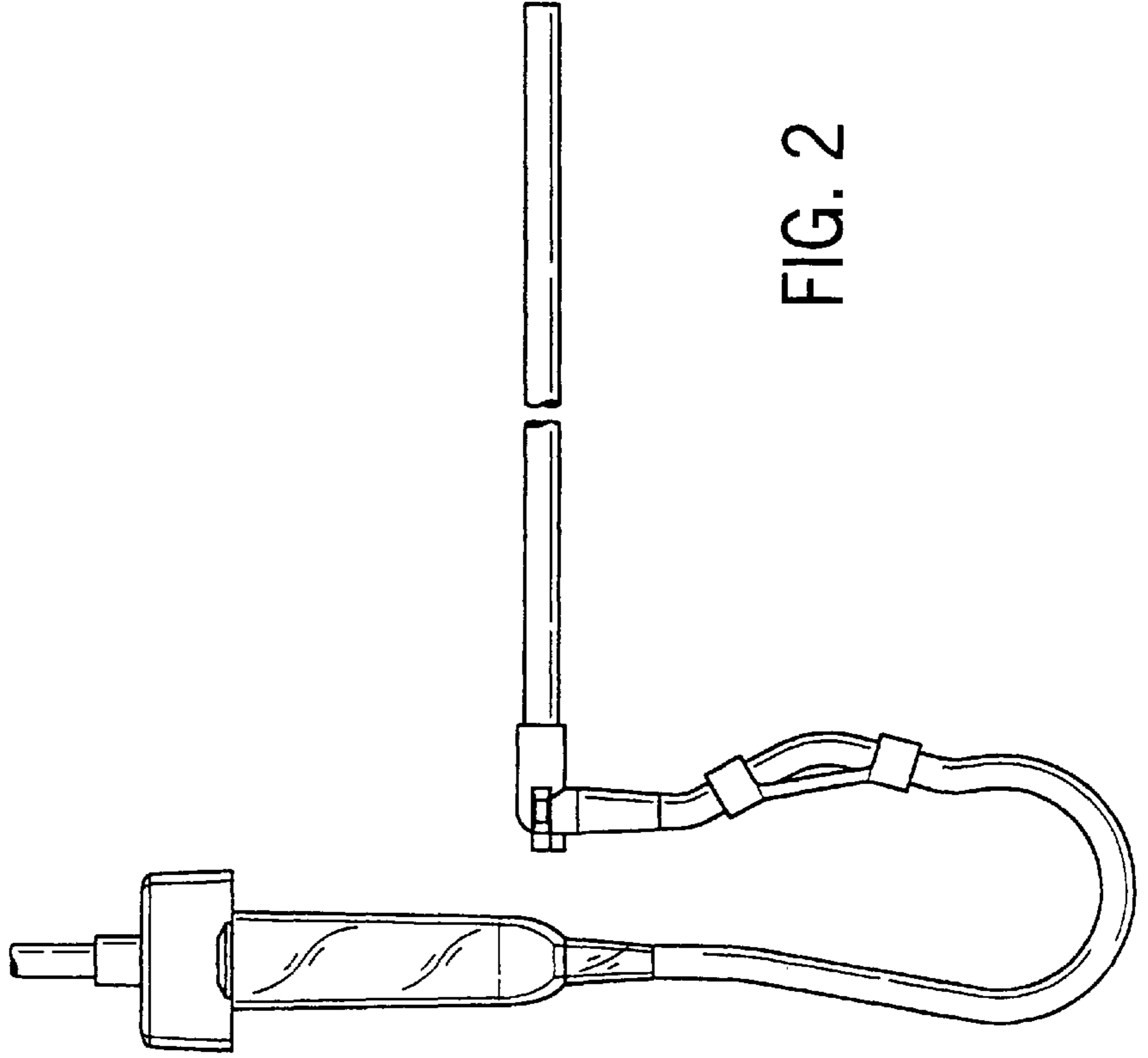


FIG. 2

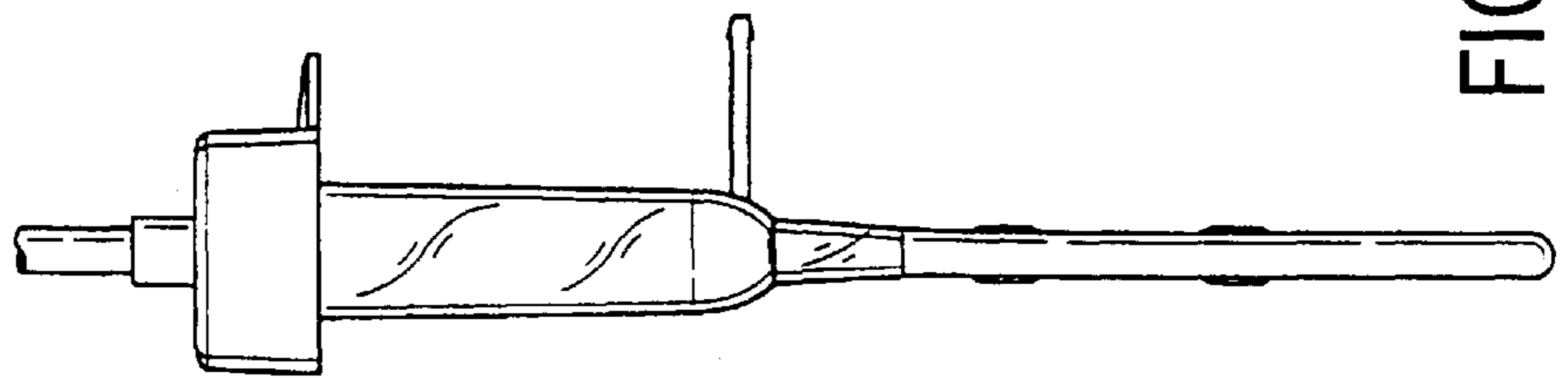


FIG. 4

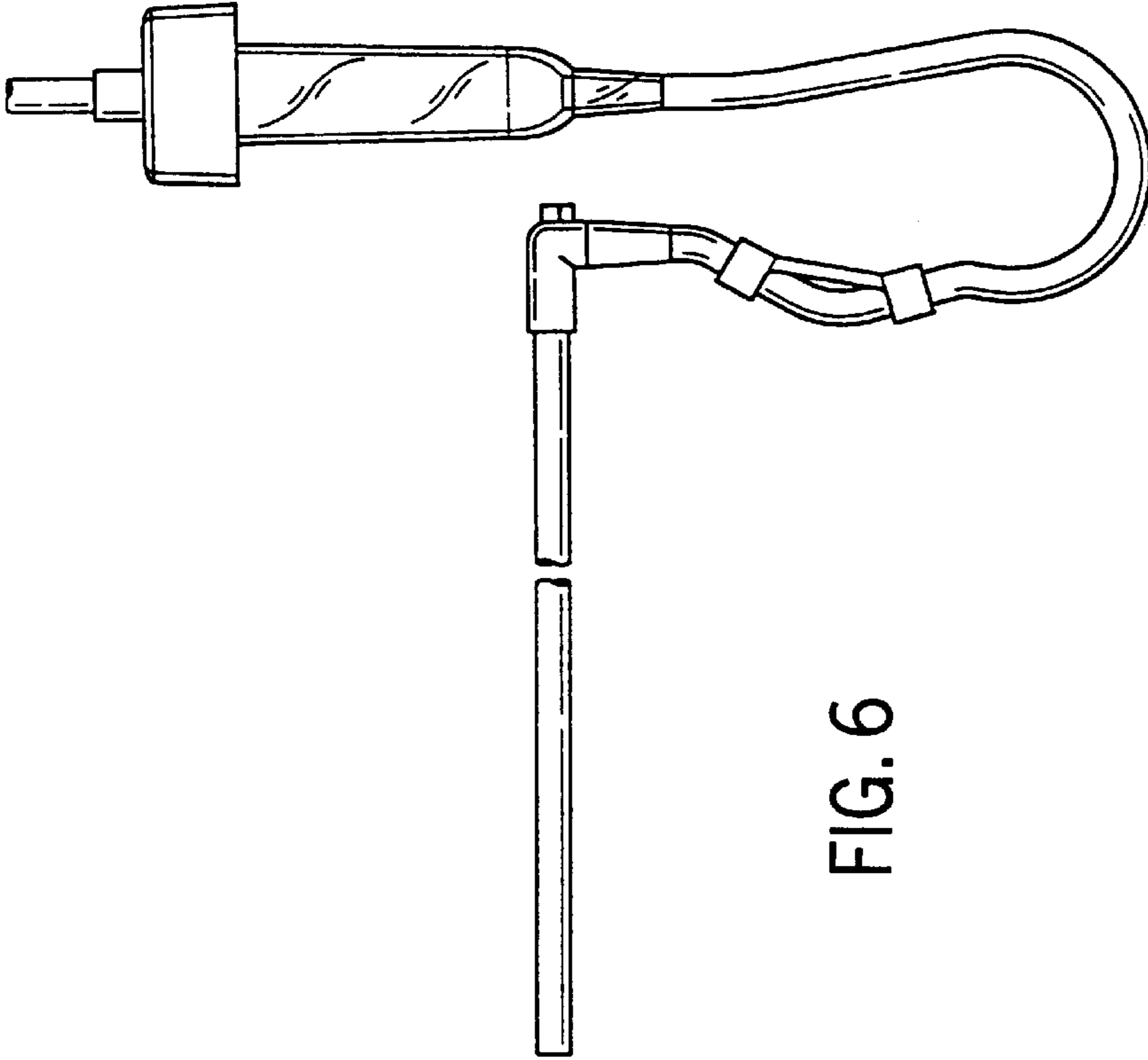


FIG. 6

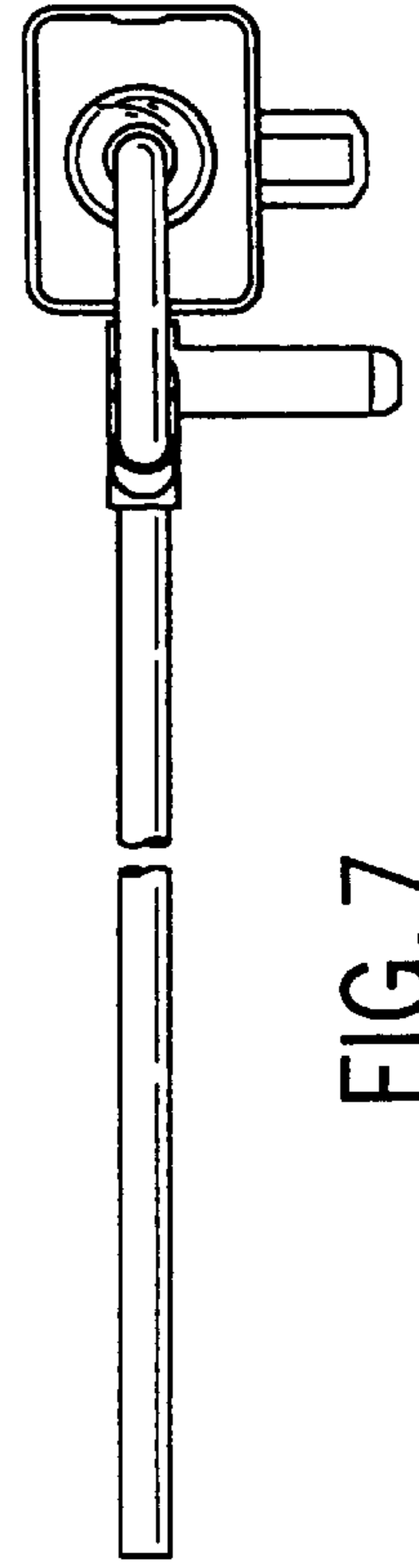


FIG. 7

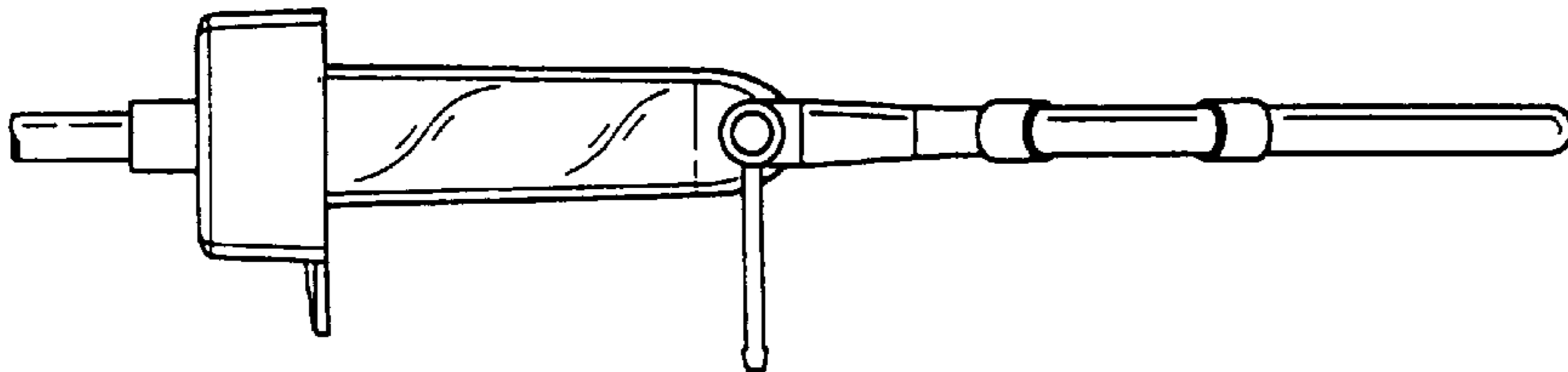


FIG. 5