



US00D407812S

United States Patent [19]

Liu

[11] **Patent Number: Des. 407,812**

[45] **Date of Patent: **Apr. 6, 1999**

[54] **COMBINED CEILING FAN SUPPORT ROD, MOTORHOUSING AND BLADE IRONS UNIT**

[75] Inventor: **Chen-Tzu Liu**, Fengyuan, Taiwan

[73] Assignee: **Pan Air Electric Co., Ltd.**, Taichung Hsien, Taiwan

[**] Term: **14 Years**

[21] Appl. No.: **89,719**

[22] Filed: **Jun. 22, 1998**

[51] **LOC (6) Cl.** **23-04**

[52] **U.S. Cl.** **D23/411; D23/377**

[58] **Field of Search** D23/377, 379, D23/385, 411; 416/5; 392/364; 362/96; D26/81-86, 88, 59, 51, 72

[56] **References Cited**

U.S. PATENT DOCUMENTS

- D. 346,439 4/1994 Liu D23/377
- D. 346,858 5/1994 Lee D23/377

Primary Examiner—Lisa Lichtenstein

Attorney, Agent, or Firm—Rosenberg, Klein & Bilker

[57] **CLAIM**

The ornamental design for a combined ceiling fan support rod, motor housing and blade irons unit, as shown and described.

DESCRIPTION

FIG. 1 is a front-right-bottom perspective view of a combined ceiling fan support rod, motor housing and blade irons unit, showing my new design;

FIG. 2 is a front elevational view thereof;

FIG. 3 is a rear elevational view thereof;

FIG. 4 is a left side view thereof;

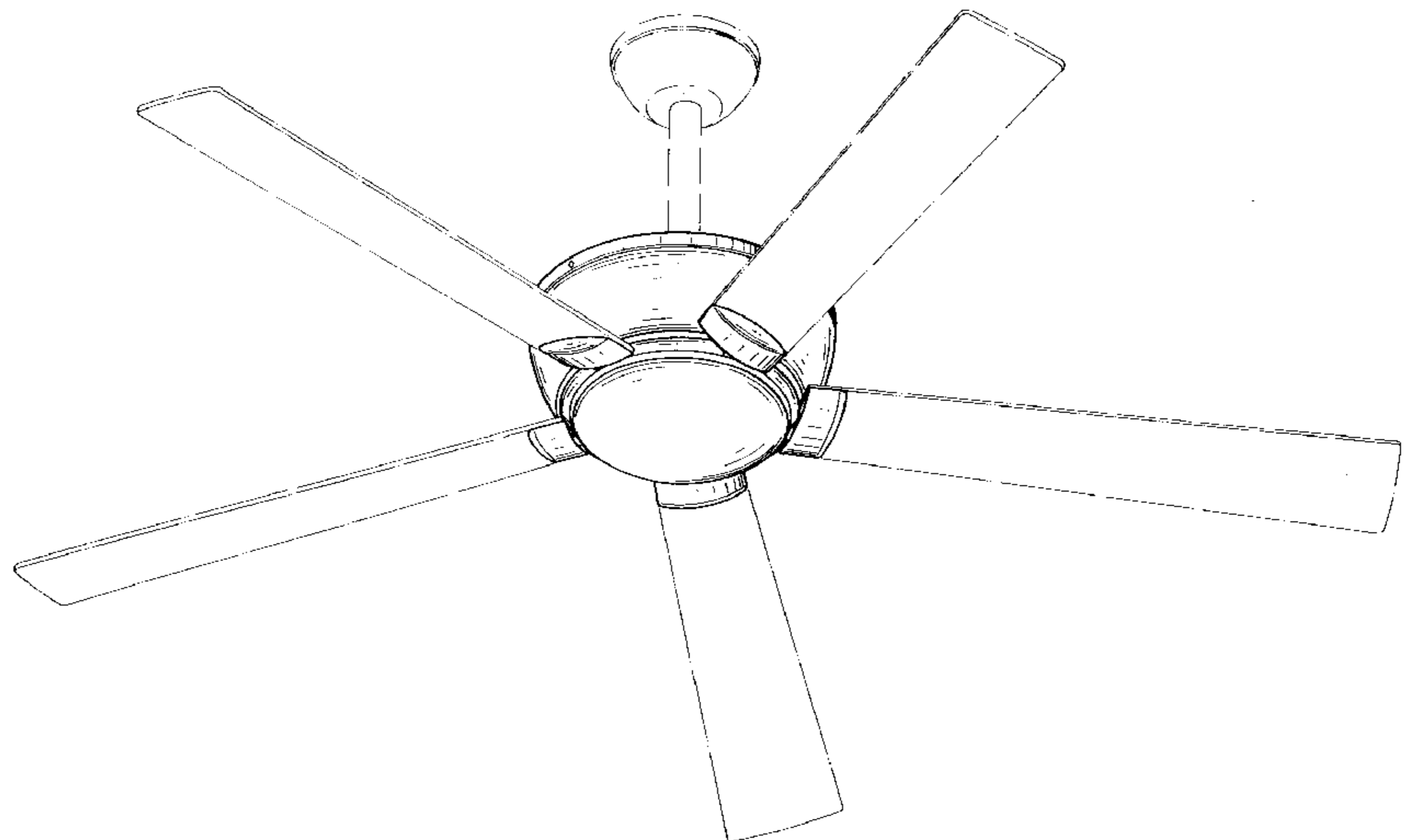
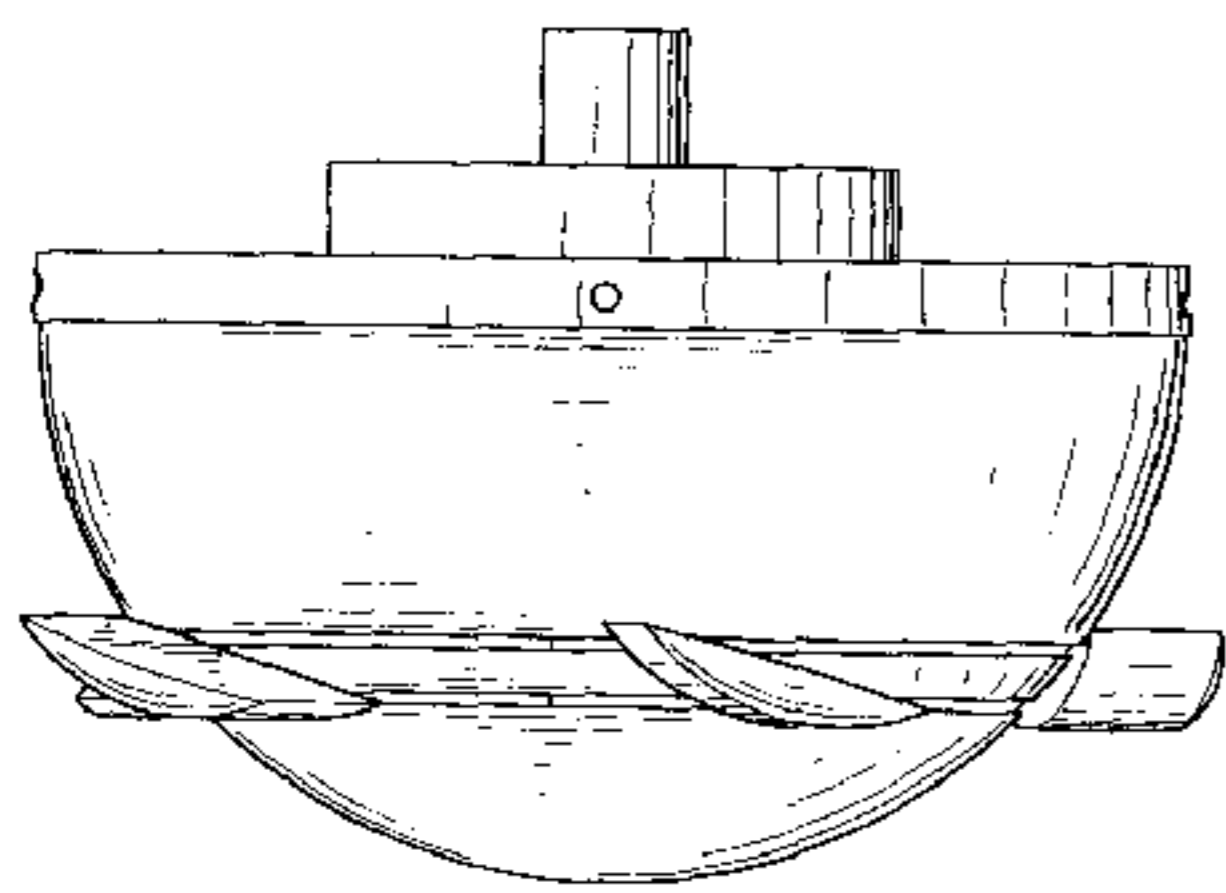
FIG. 5 is a right side view thereof;

FIG. 6 is a top plan view thereof;

FIG. 7 is a bottom plan view thereof; and,

FIG. 8 is a perspective view of the combined ceiling fan support rod, motor housing and blade irons unit of my new design, on a reduced scale, with five fan blades and a rod respectively connected thereto, the broken line drawing of the fan blades and the rod is for illustrative purposes only and forms no part of the claimed design.

1 Claim, 5 Drawing Sheets



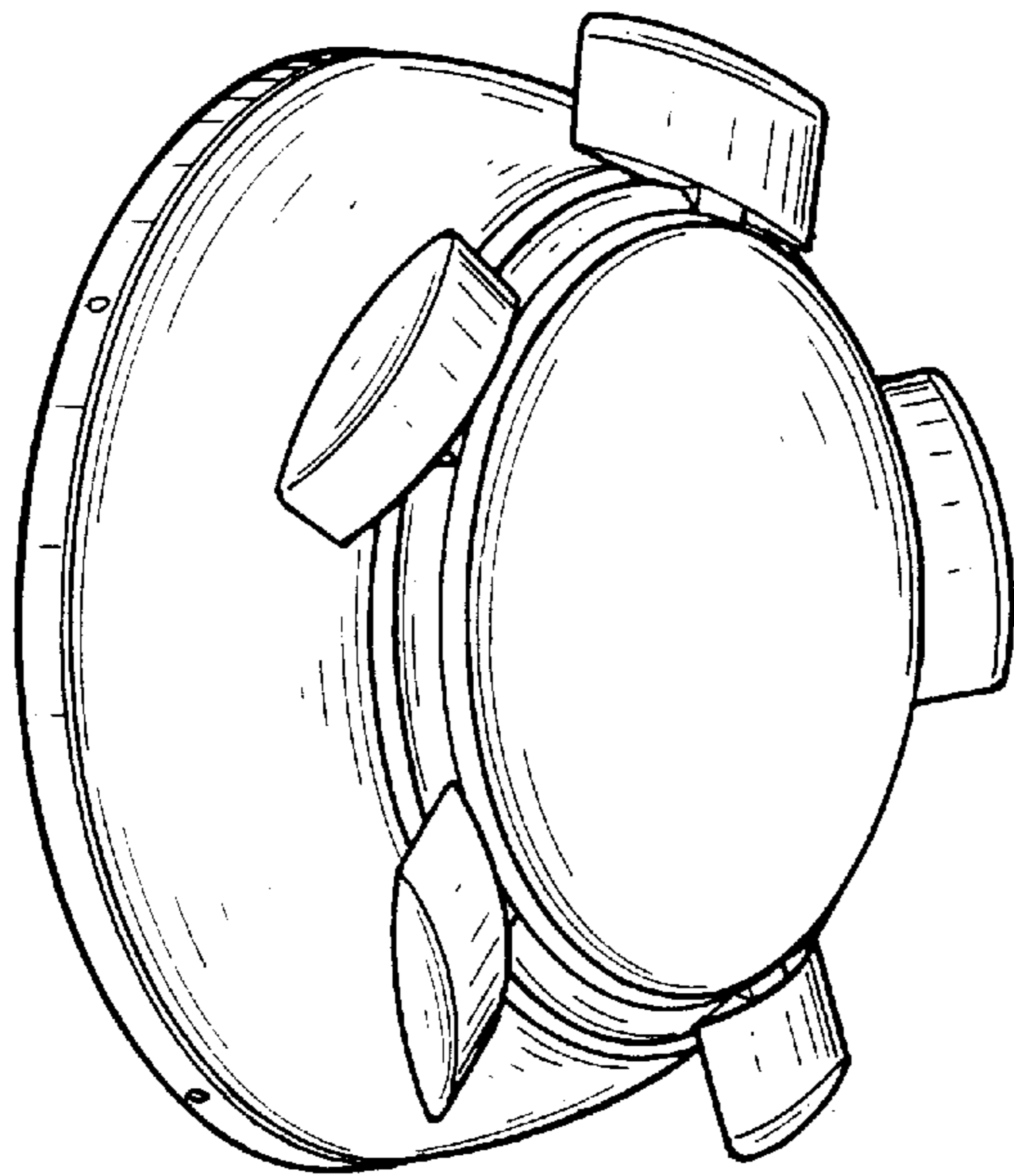


FIG. 1

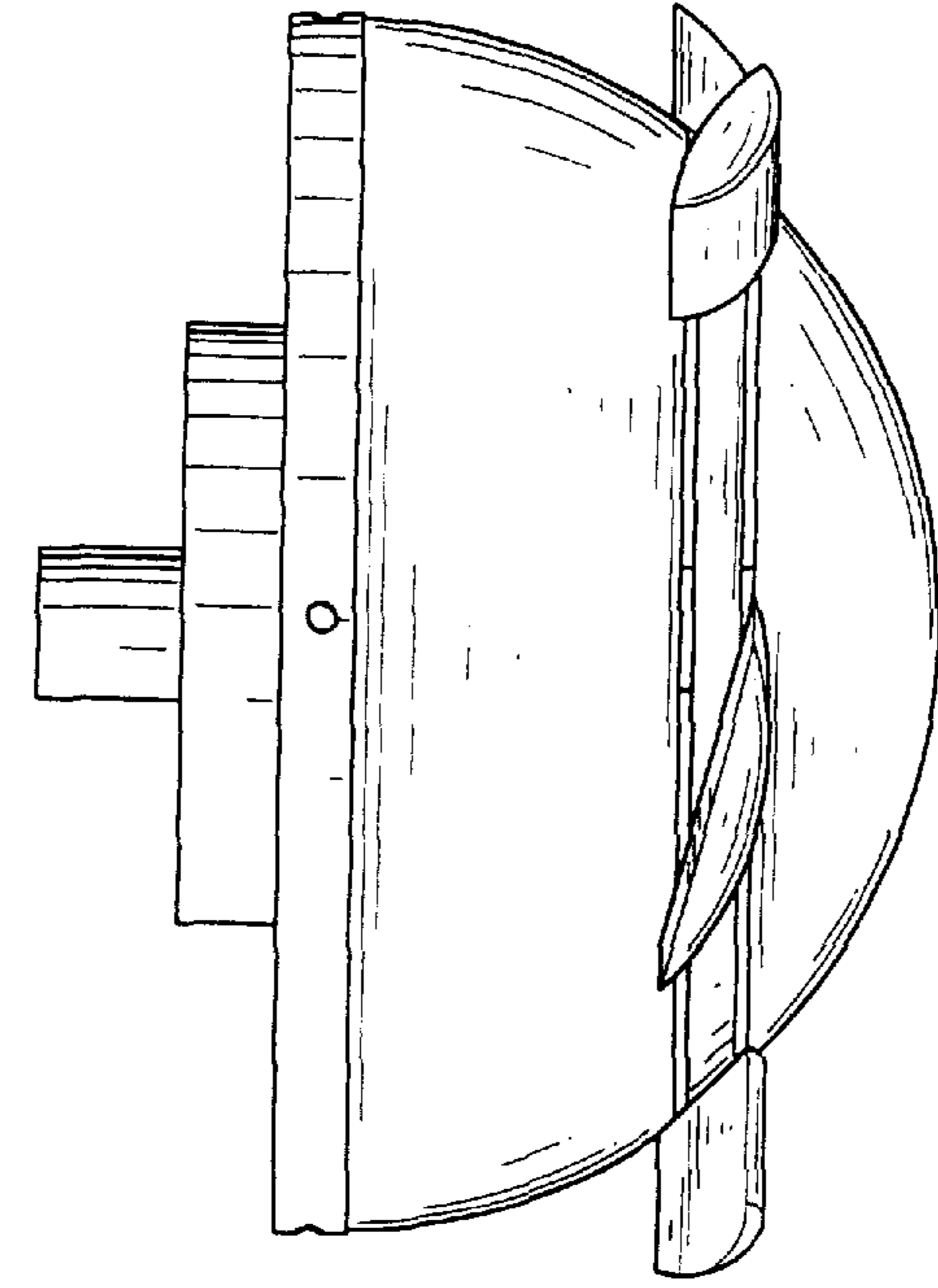


FIG.3

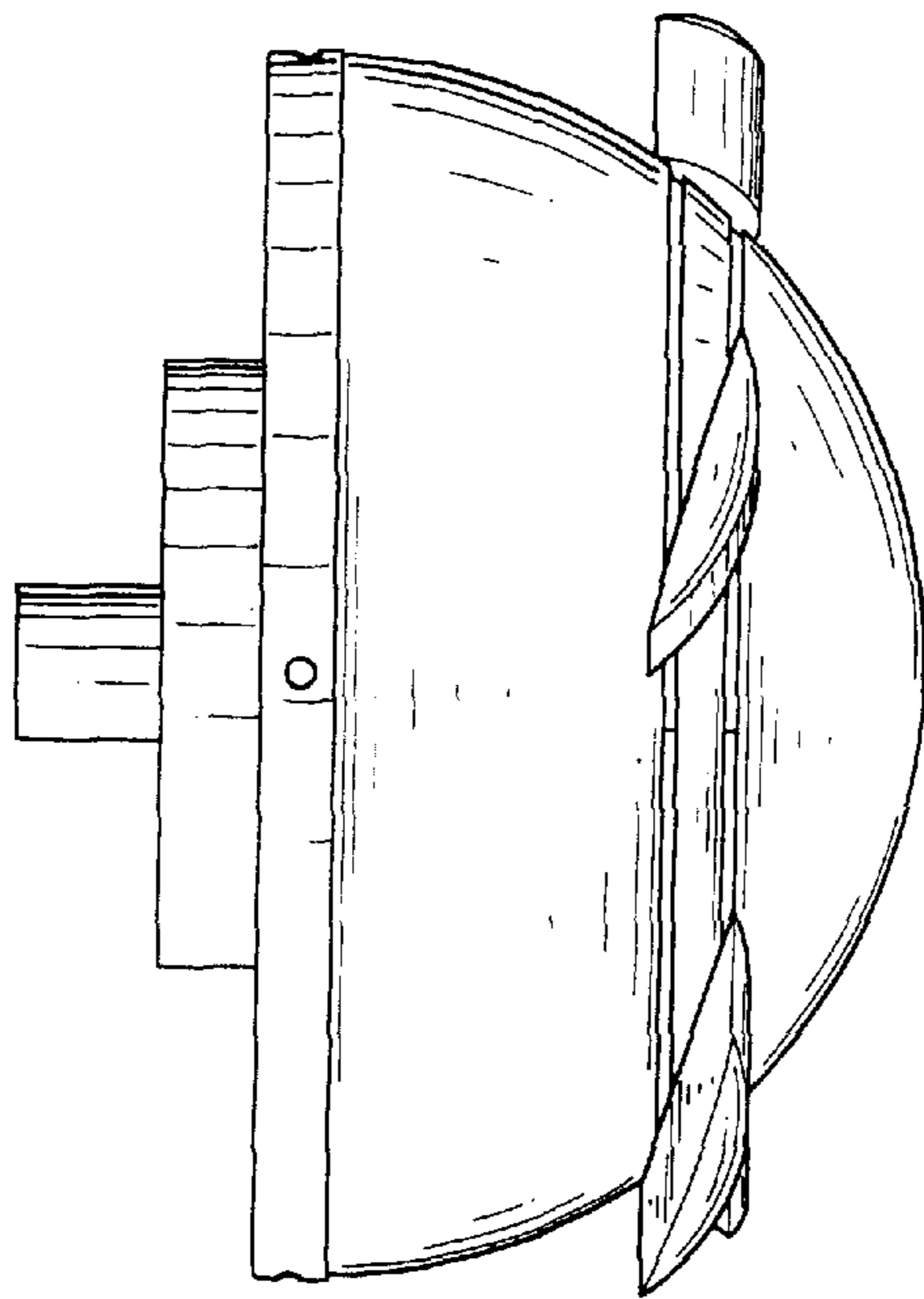


FIG.2

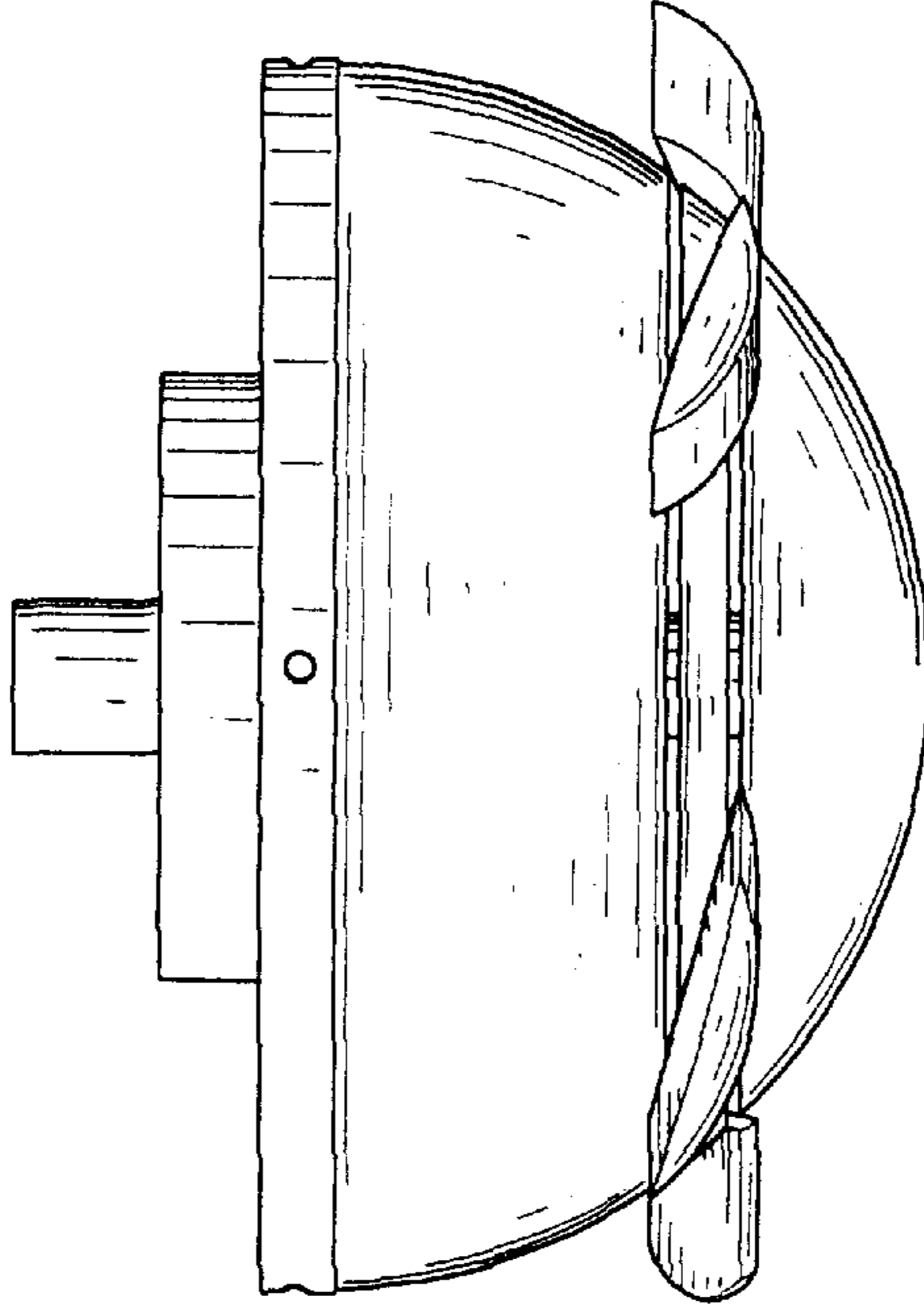


FIG. 5

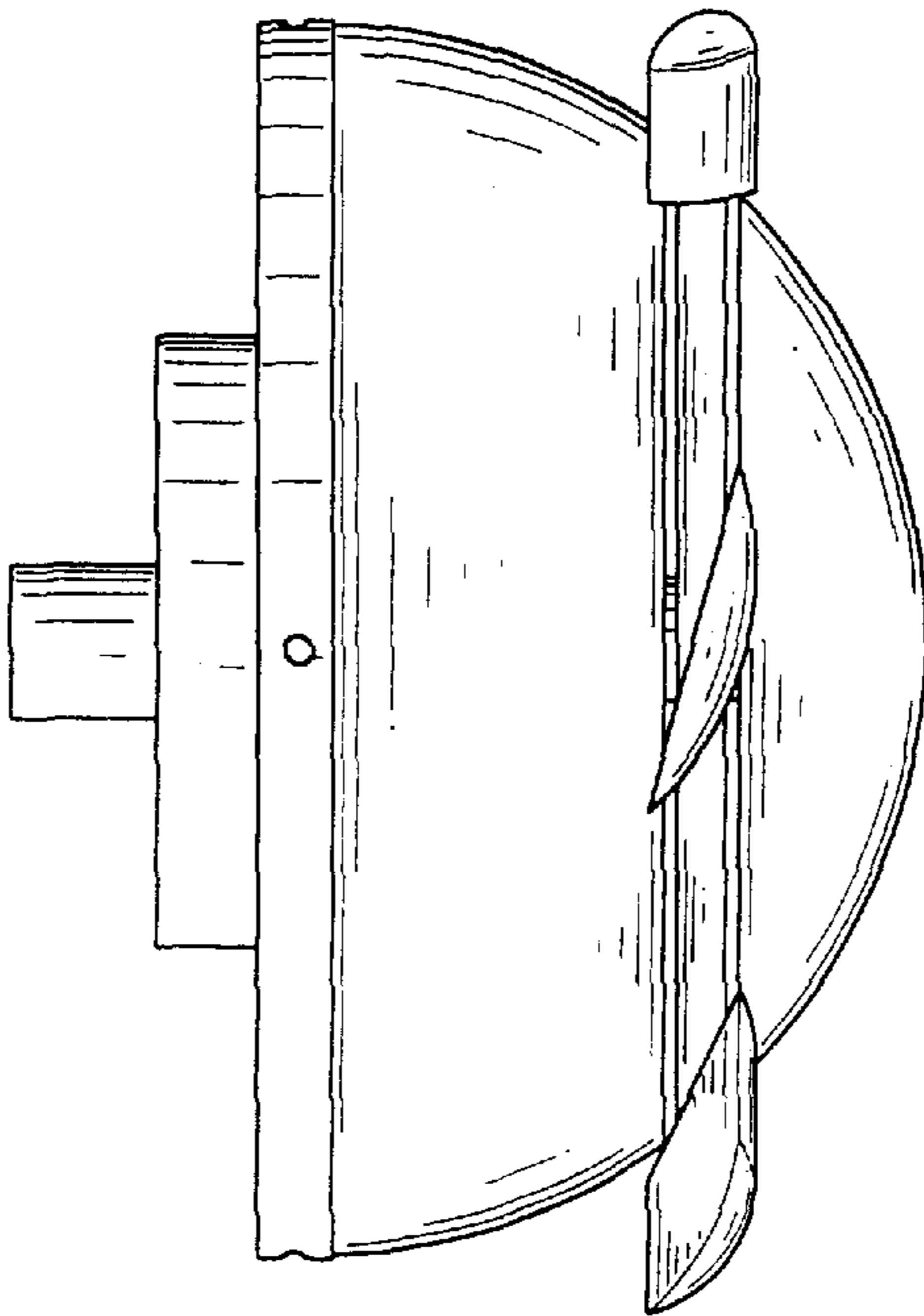


FIG. 4

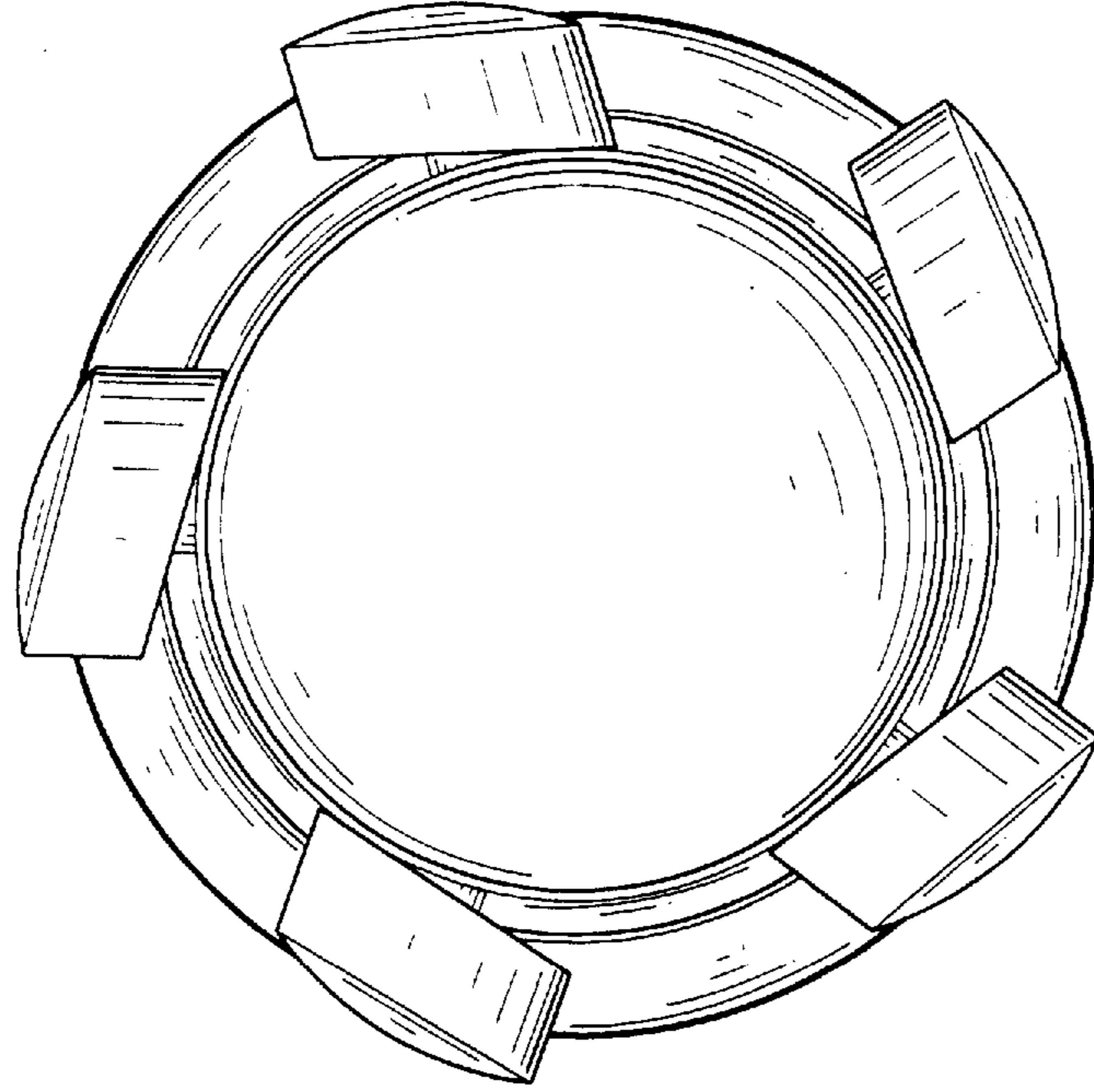


FIG. 7

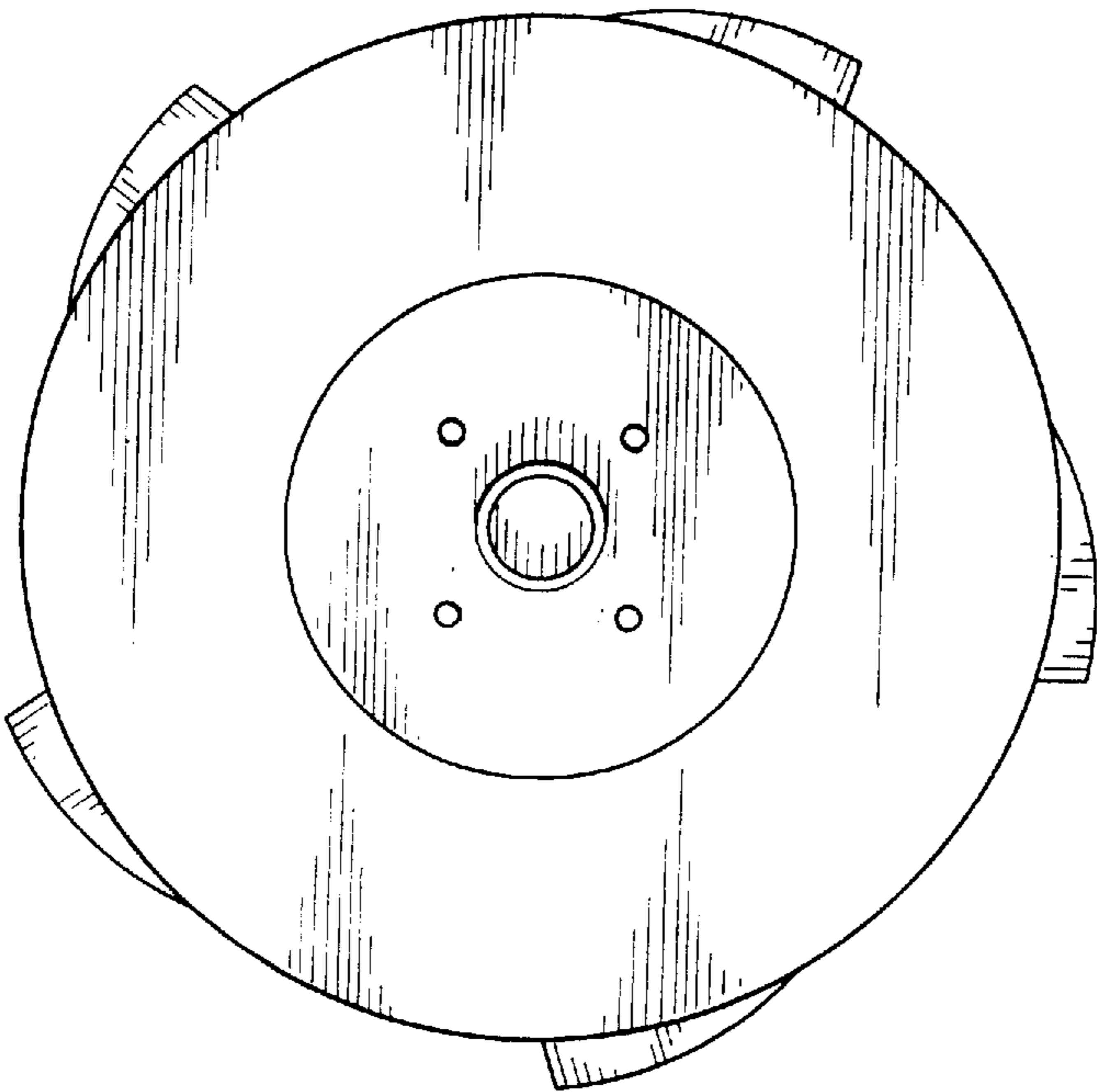


FIG. 6

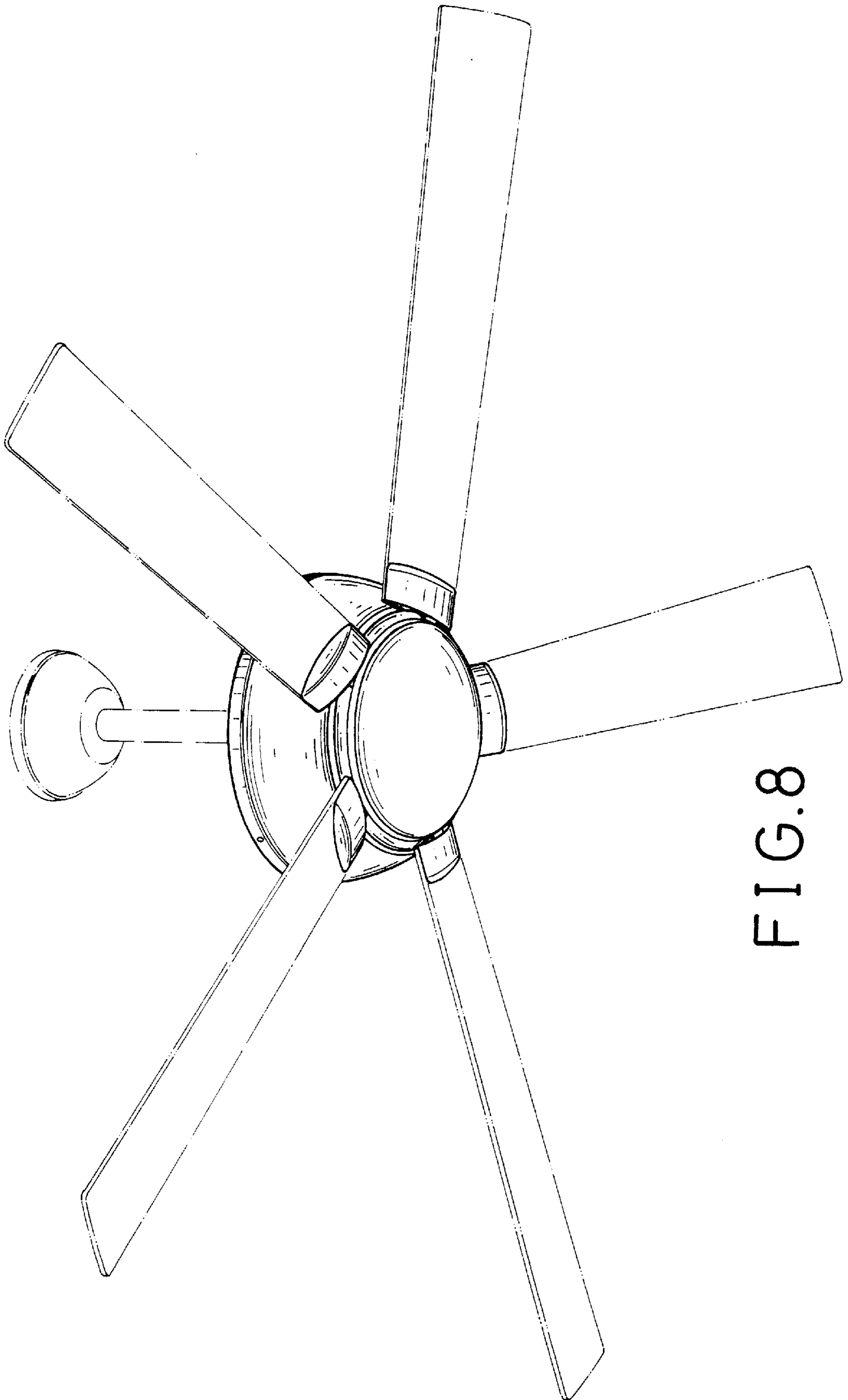


FIG. 8