



US00D407808S

# United States Patent [19]

[11] Patent Number: Des. 407,808

Nepsund et al.

[45] Date of Patent: \*\*Apr. 6, 1999

[54] FILTER ELEMENT HAVING CIRCULAR SLEEVE

[75] Inventors: **Larry R. Nepsund**, Savage; **Kathleen A. Abrahamson**, Prior Lake; **Thomas A. Boeckermann**, Lakeville; **James K. Elfstrand**, Mounds View, all of Minn.

[73] Assignee: **Donaldson Company, Inc.**, Minneapolis, Minn.

[\*\*] Term: **14 Years**

[21] Appl. No.: **56,934**

[22] Filed: **Jul. 11, 1996**

[51] LOC (6) Cl. .... **23-04**

[52] U.S. Cl. .... **D23/365**

[58] Field of Search ..... D23/365; D2/865, D2/894; 2/171, 181, DIG. 11; 55/498

### [56] References Cited

#### U.S. PATENT DOCUMENTS

2,598,673	6/1952	Brixius .
2,918,138	12/1959	Lewis .
2,966,960	1/1961	Rochlin .
3,290,870	12/1966	Jensen .
3,298,149	1/1967	Sobeck .
3,384,241	5/1968	Nostrand .
3,386,583	6/1968	Merten .
3,417,870	12/1968	Bray .
3,488,928	1/1970	Tarala .
3,552,553	1/1971	Reading .
3,672,130	6/1972	Sullivan et al. .
3,680,659	8/1972	Kasten .
3,802,160	4/1974	Foltz .
3,822,531	7/1974	Wisnewski et al. .

(List continued on next page.)

#### FOREIGN PATENT DOCUMENTS

0 001 407	4/1979	European Pat. Off. .
0 083 789	7/1983	European Pat. Off. .
0 208 515	7/1986	European Pat. Off. .
0 212 082	3/1987	European Pat. Off. .
2 380 058	2/1978	France .

35 13 062 A1	10/1986	Germany .
630886	12/1961	Italy .
900450	7/1962	United Kingdom .
1 460 925	6/1977	United Kingdom .
2 101 902	1/1983	United Kingdom .
2 152 399	8/1985	United Kingdom .
2 197 802	6/1988	United Kingdom .
WO 94/0345	9/1984	WIPO .
WO 89/07484	8/1989	WIPO .
WO 92/06767	4/1992	WIPO .

Primary Examiner—Lisa Lichtenstein  
Attorney, Agent, or Firm—Merchant, Gould, Smith, Edell, Welter & Schmidt, P.A.

### [57] CLAIM

The ornamental design for filter element having circular sleeve, as shown and described.

### DESCRIPTION

FIG. 1 is a perspective view of a filter element having circular sleeve thereon;

FIG. 2 is a top plan view of FIG. 1, the bottom view being a mirror image;

FIG. 3 is a front side view of FIG. 1;

FIG. 4 is a back side view of FIG. 1;

FIG. 5 is a perspective view of a second embodiment of a filter element having circular sleeve thereon; different surfaces of the filter sleeve being indicated to contrast in appearance;

FIG. 6 is a top plan view of FIG. 5, the bottom plan view being a mirror image thereof; in FIG. 6 an outer surface of the filter sleeve being indicated to contrast in appearance with an inner surface of the filter sleeve;

FIG. 7 is a front side view of FIG. 5;

FIG. 8 is a back side view of FIG. 5;

FIG. 9 is a perspective view of a third embodiment of a filter element having a circular sleeve thereon, an outer surface of the sleeve being lined to indicate blue color;

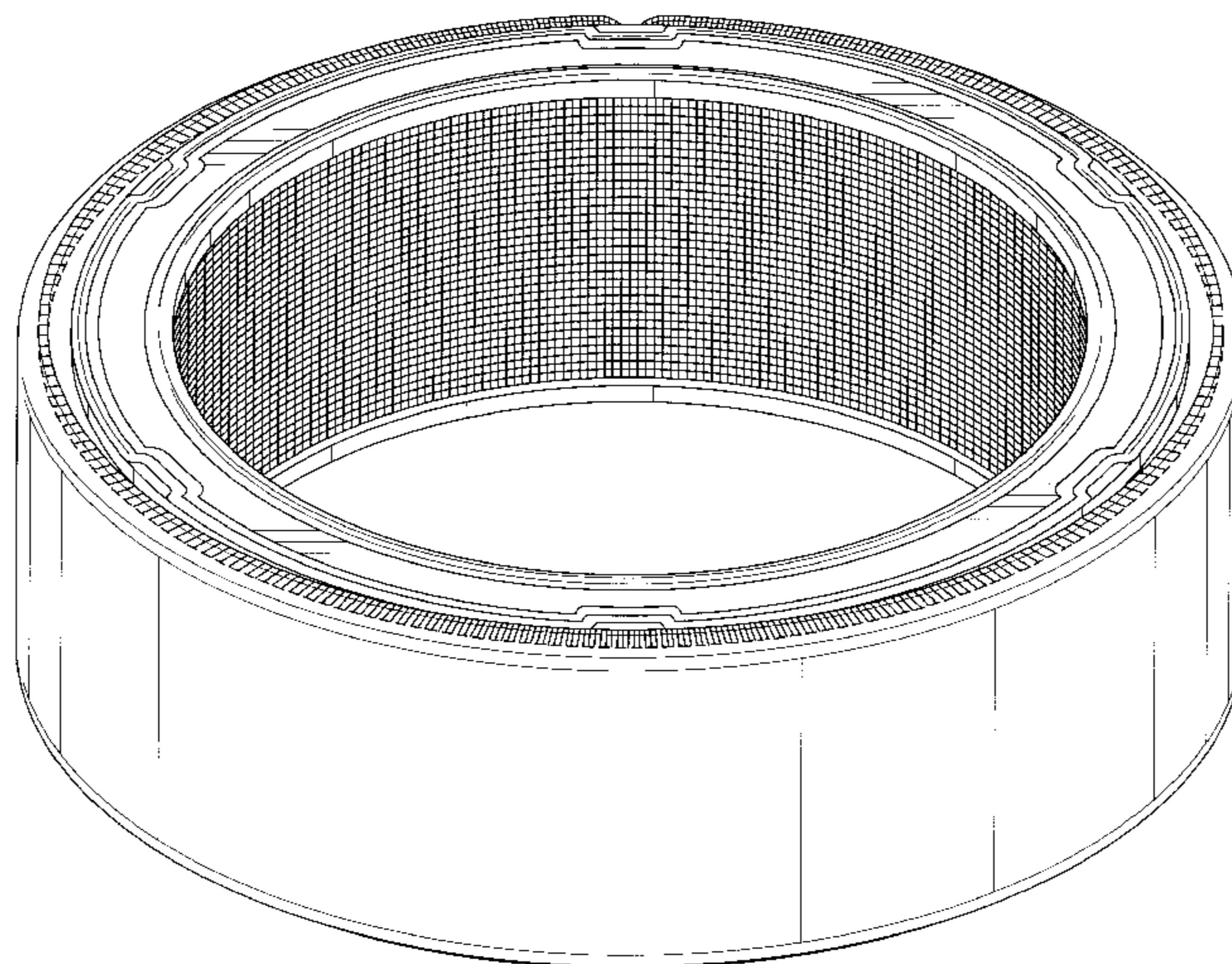
FIG. 10 is a top plan view of FIG. 9 the bottom plan view being a mirror image thereof;

FIG. 11 is a front side view of FIG. 9; and,

FIG. 12 is a back side view of FIG. 9.

The broken lines in FIGS. 1-12 represent stitching.

1 Claim, 9 Drawing Sheets



## U.S. PATENT DOCUMENTS

3,878,014	4/1975	Melead .	4,676,807	6/1987	Miller et al. .
3,918,945	11/1975	Holloway et al. .	4,695,300	9/1987	Takagi .
4,012,211	3/1977	Goetz .	4,720,292	1/1988	Engel et al. .
4,074,985	2/1978	Willas .	4,758,460	7/1988	Spicer et al. .
4,086,070	4/1978	Argo et al. .	4,759,782	7/1988	Miller et al. .
4,089,783	5/1978	Holyoak .	4,783,271	11/1988	Silverwater .
4,101,423	7/1978	Merrill et al. .	4,878,929	11/1989	Tofslund et al. .
4,102,785	7/1978	Head et al. .	4,886,599	12/1989	Bachmann et al. .
4,104,170	8/1978	Nedza .	4,976,759	12/1990	Foltz .
4,160,684	7/1979	Berger, Jr. .	5,082,476	1/1992	Kahlbaugh et al. .
4,211,543	7/1980	Tokar et al. .	5,122,270	6/1992	Ruger et al. .
4,233,042	11/1980	Tao .	5,129,923	7/1992	Hunter et al. .
4,243,397	1/1981	Tokar et al. .	5,171,342	12/1992	Trefz .
4,259,096	3/1981	Nakamura et al. .	5,238,474	8/1993	Kahlbaugh et al. .
4,314,832	2/1982	Fox .	5,252,207	10/1993	Miller et al. .
4,322,230	3/1982	Schoen et al. .	5,279,731	1/1994	Cook et al. .
4,402,830	9/1983	Pall .	5,290,330	3/1994	Tepper et al. .
4,452,619	6/1984	Wright et al. .	5,306,321	4/1994	Osendorf .
4,594,162	6/1986	Berger .	5,364,456	11/1994	Kahlbaugh et al. .
4,619,674	10/1986	Erdmannsdorfer .	5,415,676	5/1995	Tokar et al. .
4,629,483	12/1986	Stanton .	5,423,892	6/1995	Kahlbaugh et al. .
4,647,373	3/1987	Tokar et al. .	5,454,858	10/1995	Tokar et al. .
			5,468,382	11/1995	Cook et al. .

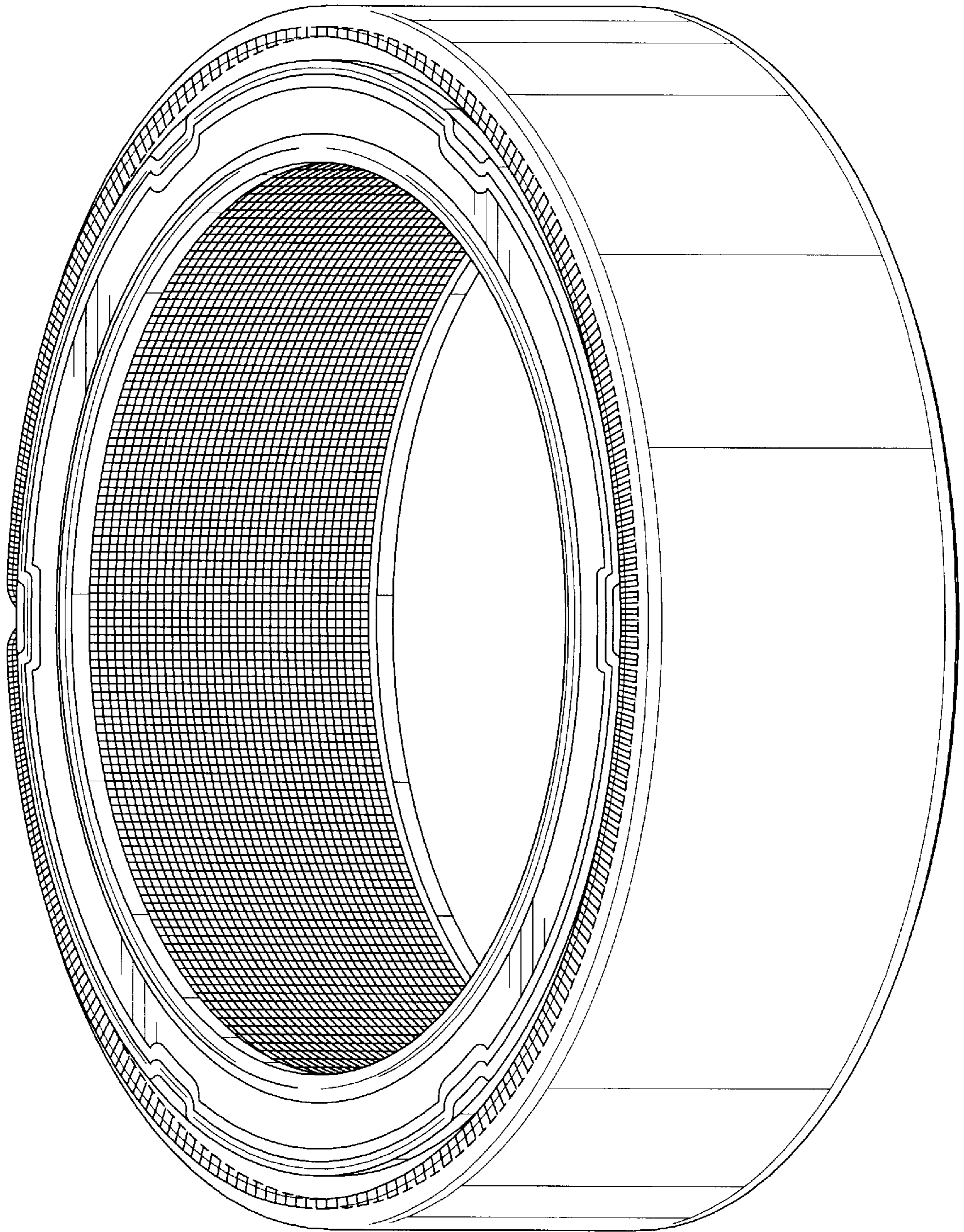


FIG. 1

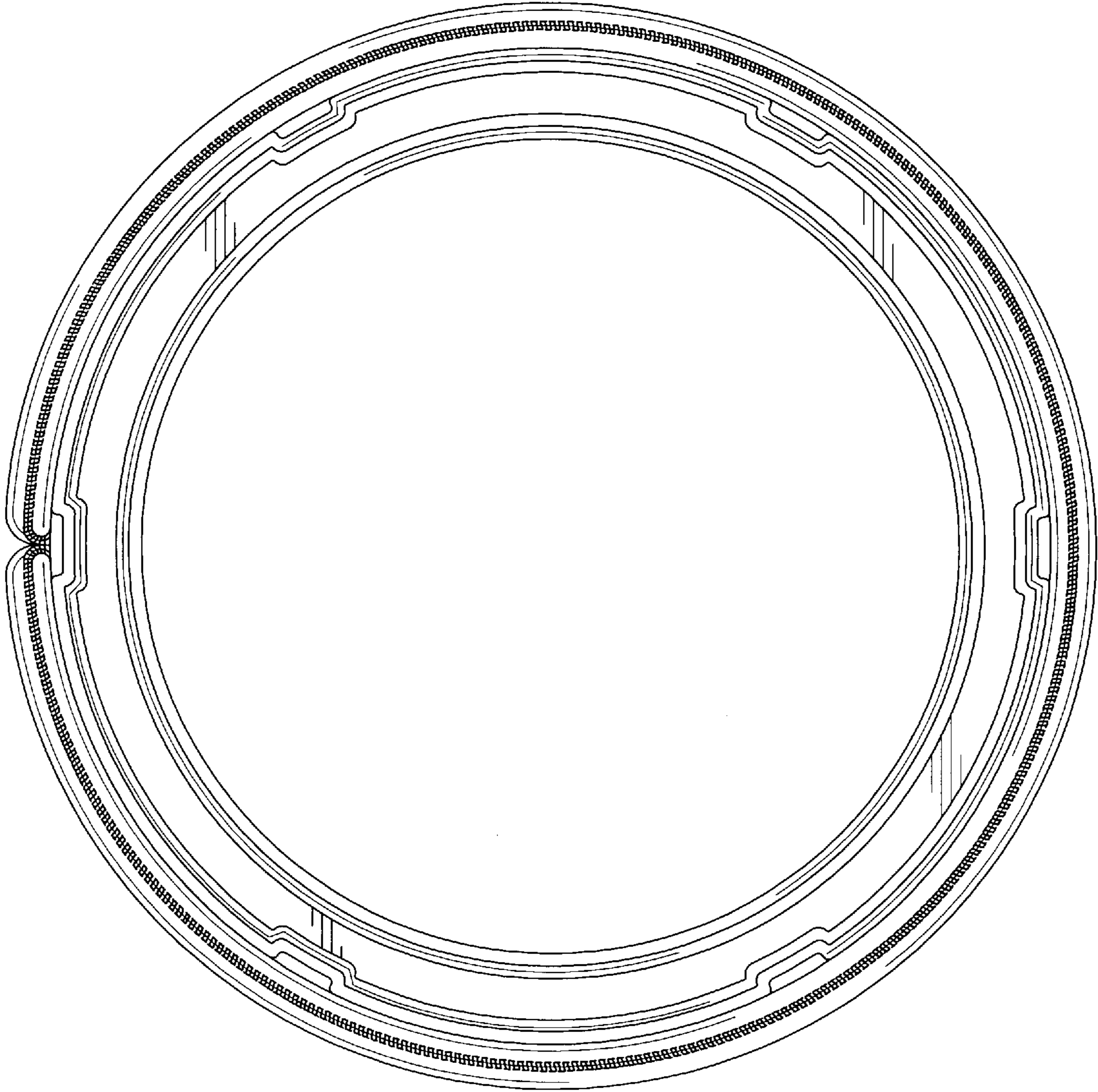


FIG. 2

FIG. 3

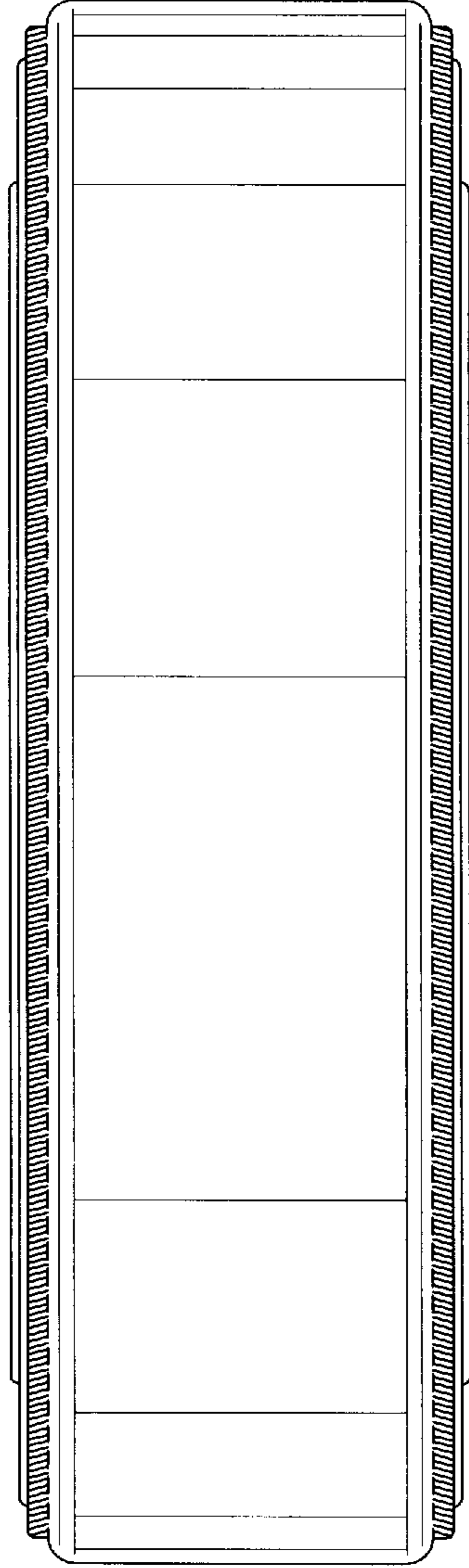
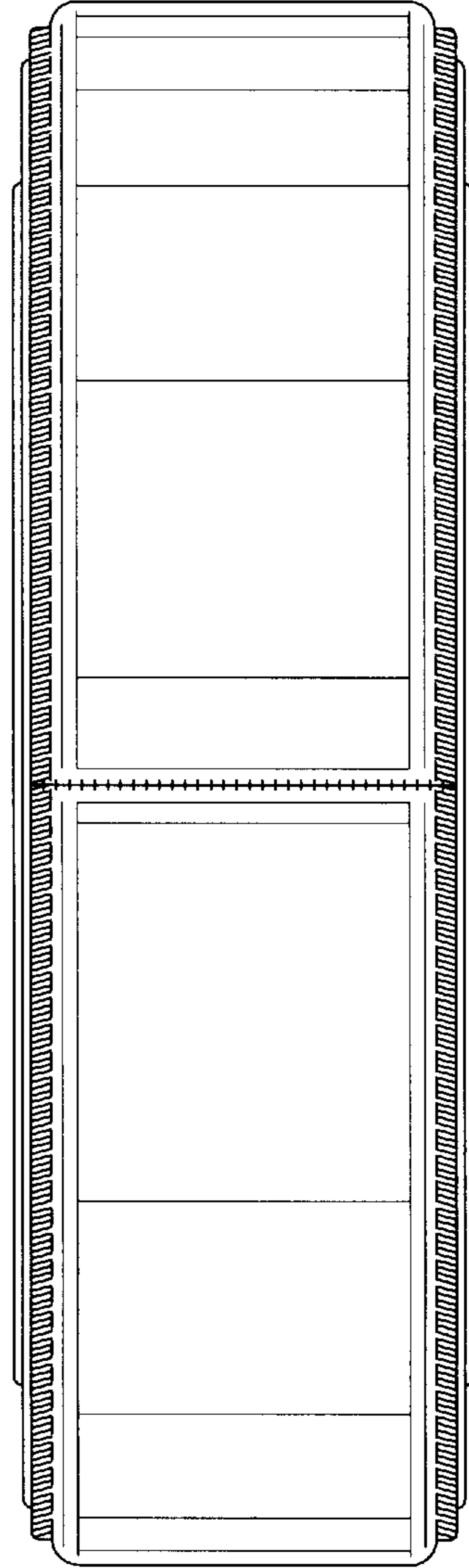


FIG. 4



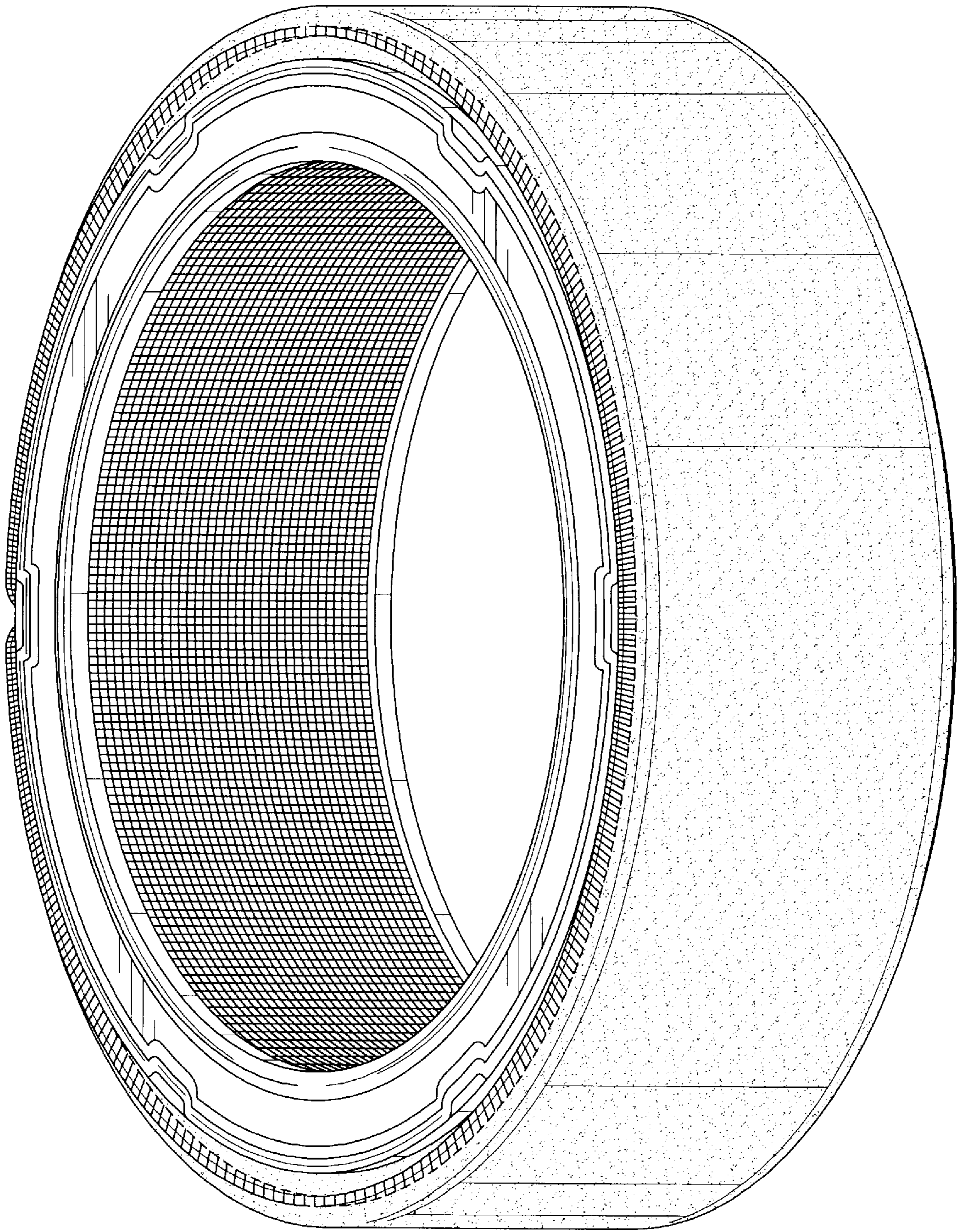


FIG. 5

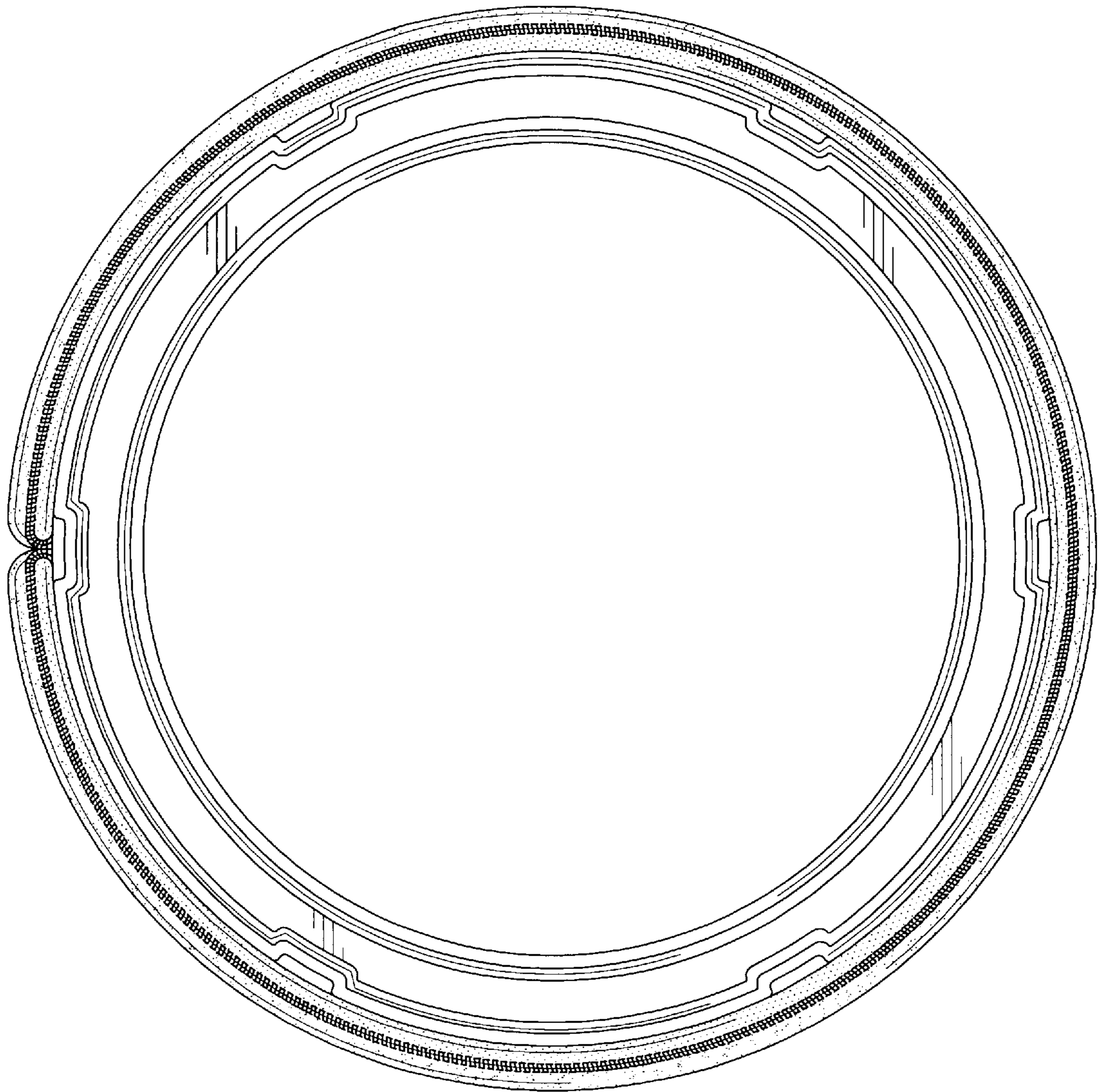


FIG. 6

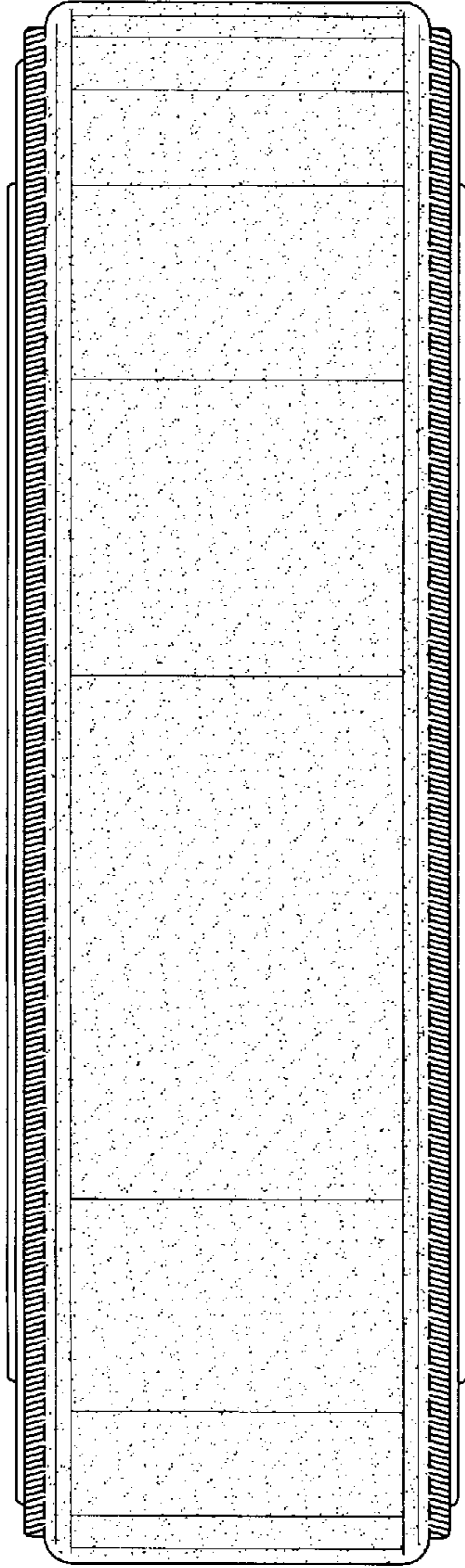


FIG. 7

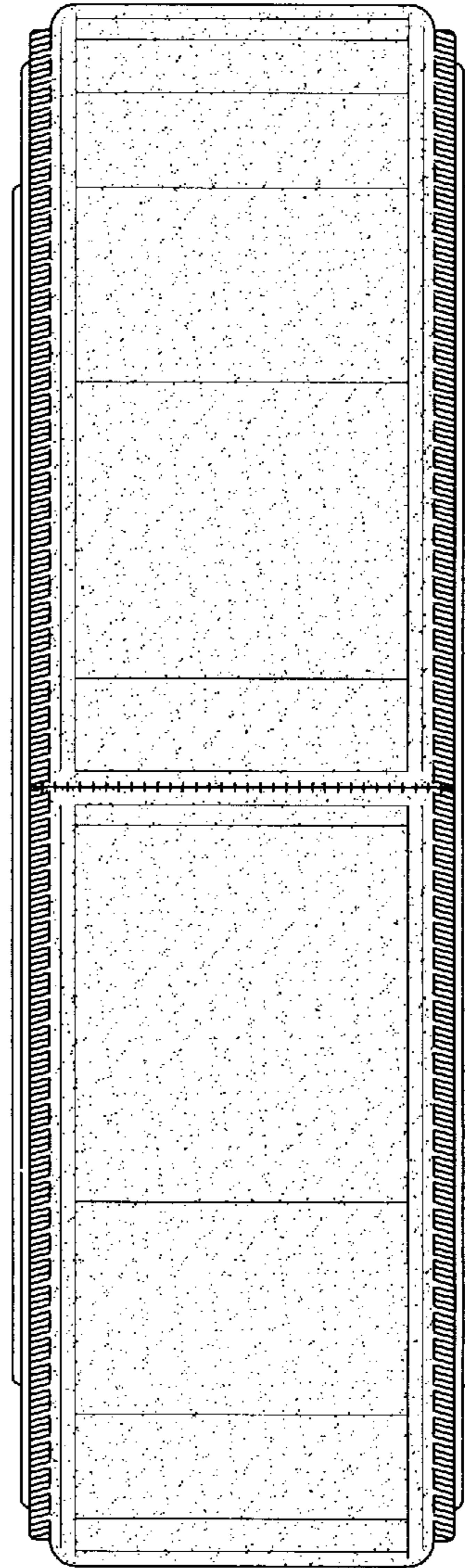


FIG. 8



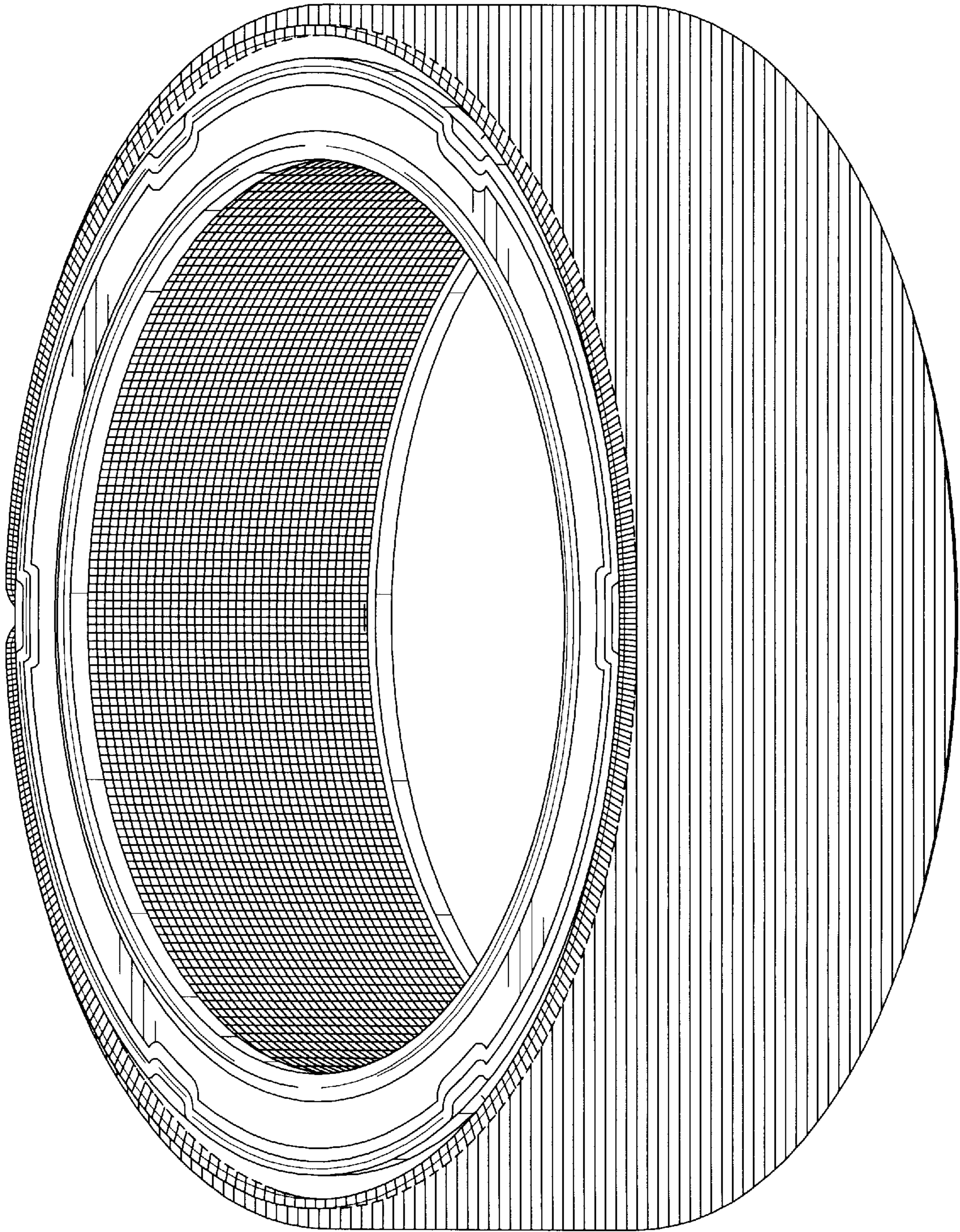


FIG. 9

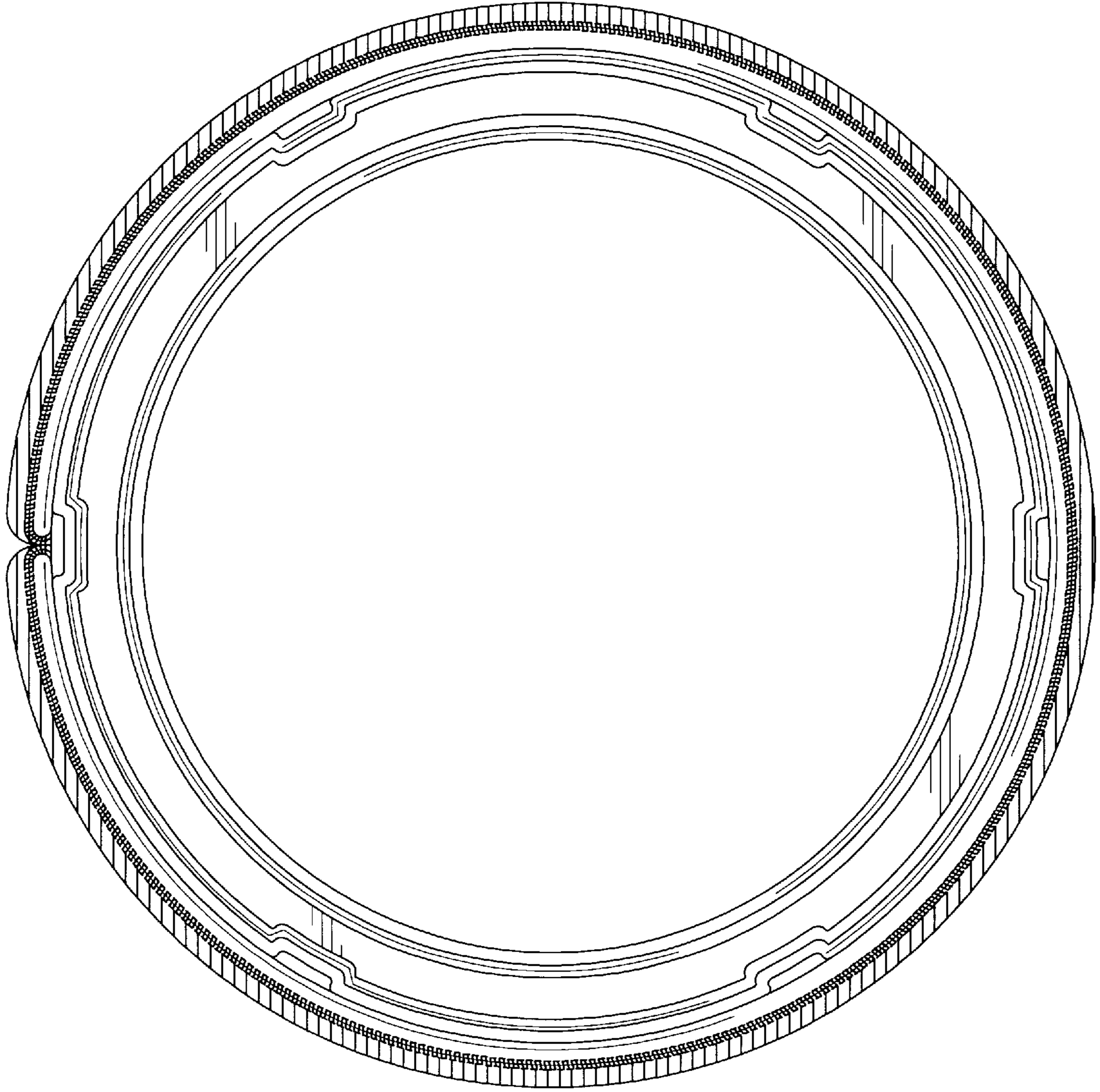


FIG. 10

FIG. 11

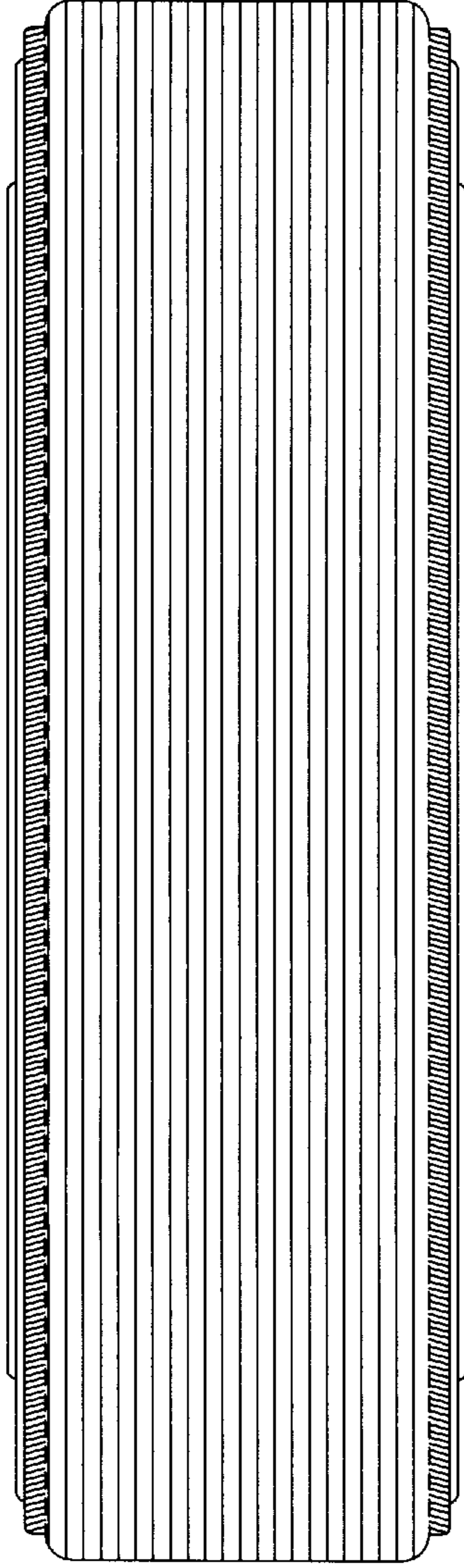


FIG. 12

