



US00D407806S

United States Patent [19]

[11] **Patent Number: Des. 407,806**

Dimitriadis et al.

[45] **Date of Patent: **Apr. 6, 1999**

[54] **SHOWER UNIT**

[75] Inventors: **Andreas Dimitriadis**, Leinzell;
Andreas Haug; **Thomas Schoenherr**,
both of Stuttgart, all of Germany

[73] Assignee: **Hans Grohe GmbH & Co. KG**,
Germany

[**] Term: **14 Years**

[21] Appl. No.: **73,668**

[22] Filed: **Jul. 22, 1997**

[30] **Foreign Application Priority Data**

Jan. 23, 1997 [DE] Germany M 97 00 980.6

[51] **LOC (6) Cl.** **23-02**

[52] **U.S. Cl.** **D23/304**

[58] **Field of Search** D23/303-310;
D6/525, 574; 4/580, 584, 596, 612, DIG. 9;
264/46.4; 604/150

[56] **References Cited**

U.S. PATENT DOCUMENTS

- D. 309,225 7/1990 Scorbo D6/525
- D. 368,128 3/1996 McCarthy D23/213
- D. 372,303 7/1996 Lubermeier D23/304
- D. 373,497 9/1996 Gilmore D6/525

OTHER PUBLICATIONS

- Blu Bleu Catalog, 1997, p.1, 44, 52—Robin.
- Targa Catalog, 1997, pp.1, 7,8—Art. 5000, Art. 1002/4417.
- Valetin Catalog 1998, 1995, pp. 1, 2, 3, 4, 8—Carnac.

- Teda International Catalog, 1996, p.1—Hawaii 2000.
- Kludi Armaturen Catalog, Mar. 1997, pp.1 4,8.
- Jacuzzi Europe Catalog, Nov. 1996, pp.1, 8, 9, 12—Mini-Platzbedarf, Maxi-Idee.
- OMBG Catalog, May 1997, pp. 1-2.
- Cristalbox Catalog, 1997, pp. 3, 4, 7—Danubio.
- Class Catalog, 1998, pp. 1, 35, 38—Urano, Mercurio.

Primary Examiner—Louis S. Zarfaz
Assistant Examiner—Eric Watterson
Attorney, Agent, or Firm—Eckert Seamans Cherin & Mellott, LLC

[57] **CLAIM**

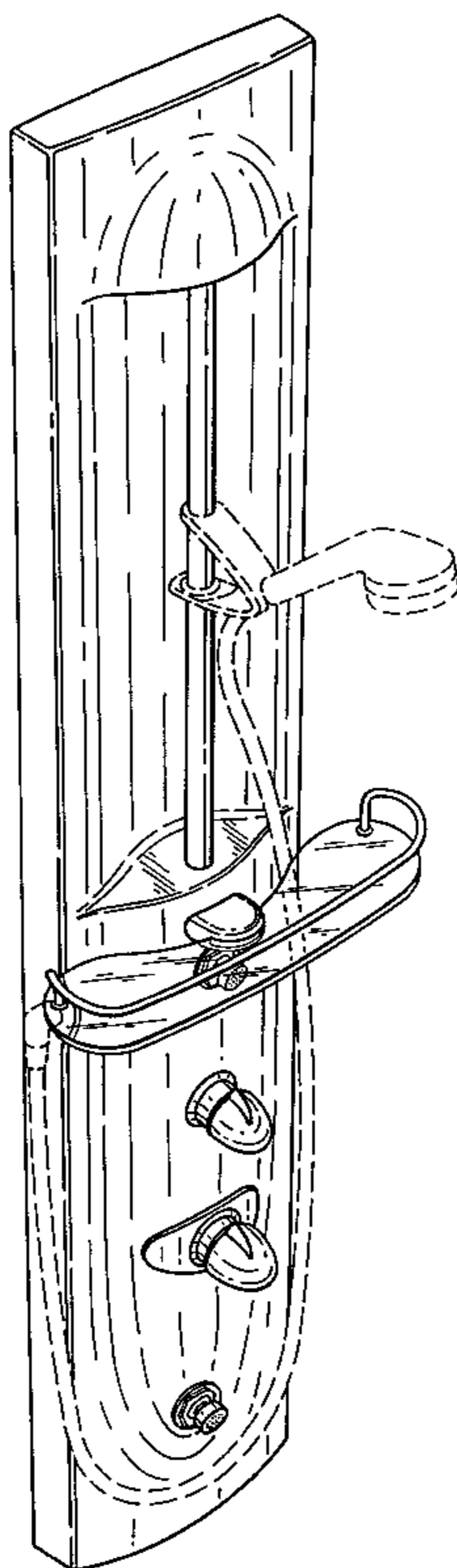
The ornamental design for a shower unit, as shown and described.

DESCRIPTION

FIG. 1 is a side perspective view of a shower unit showing our new design;
 FIG. 2 is a front elevation view thereof;
 FIG. 3 is a side elevation view thereof;
 FIG. 4 is a top plan view thereof;
 FIG. 5 is a bottom plan view thereof;
 FIG. 6 is a rear elevation view thereof; and,
 FIG. 7 is an opposite side elevation view thereof.

The broken line showing the hand shower, hose and several fittings is for illustrative purposes only and forms no part of the claimed design.

1 Claim, 4 Drawing Sheets



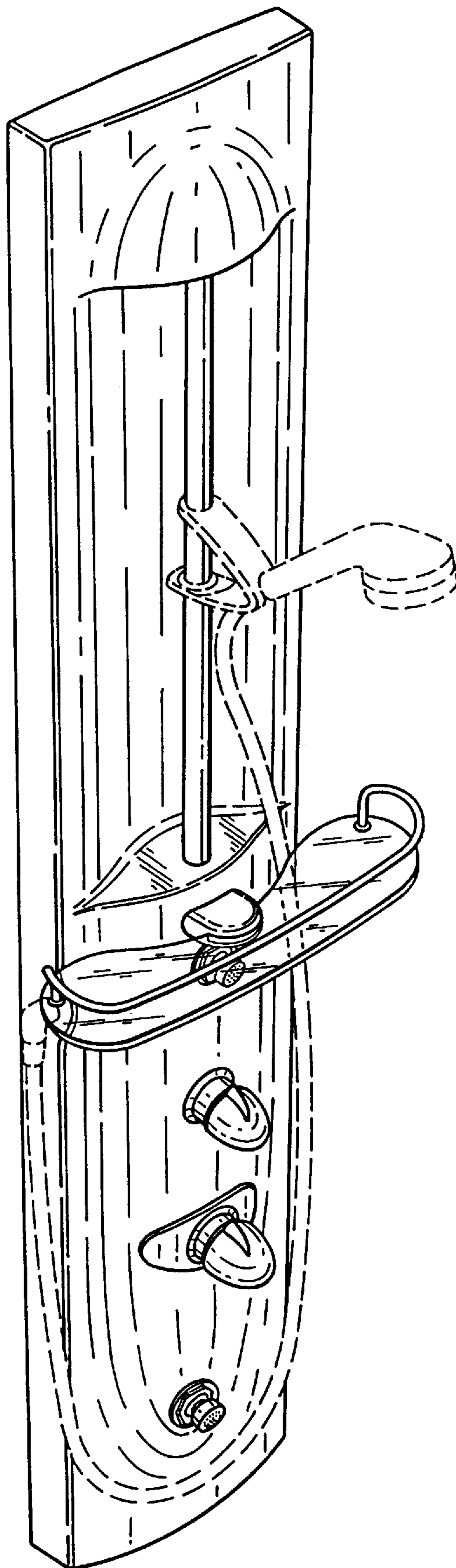


Fig. 1

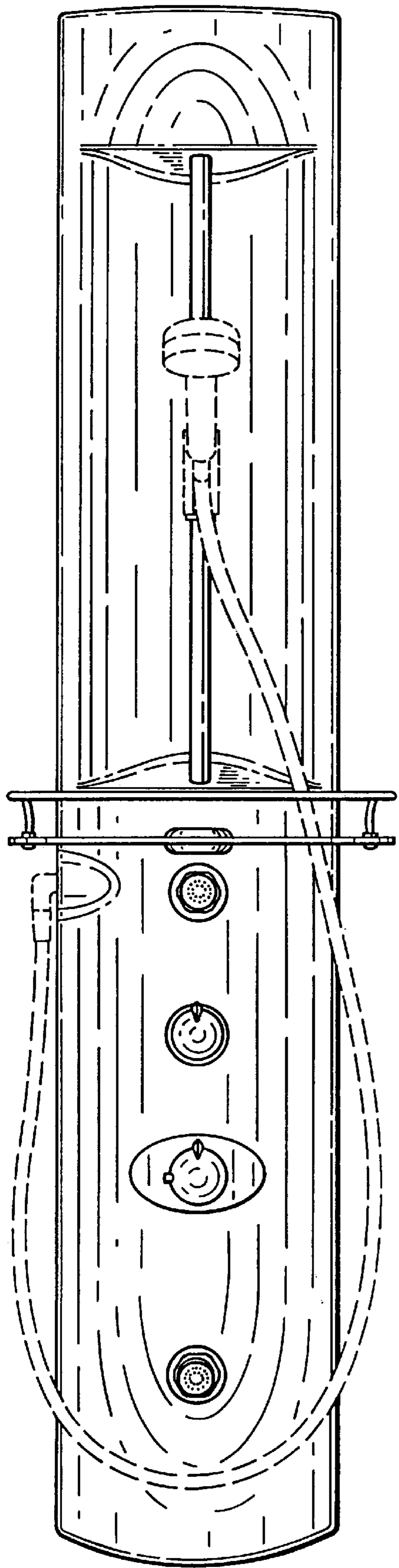


Fig. 2

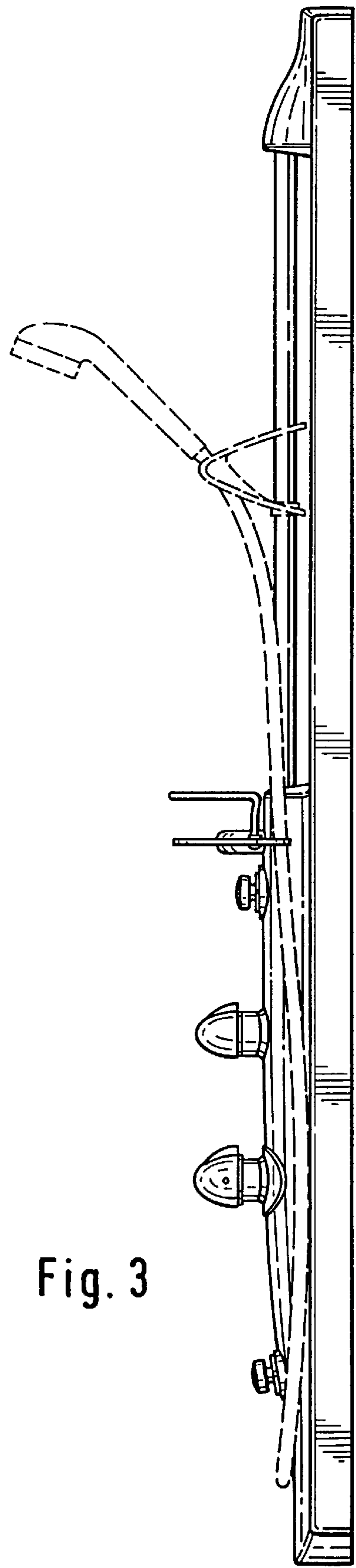


Fig. 3

Fig. 4

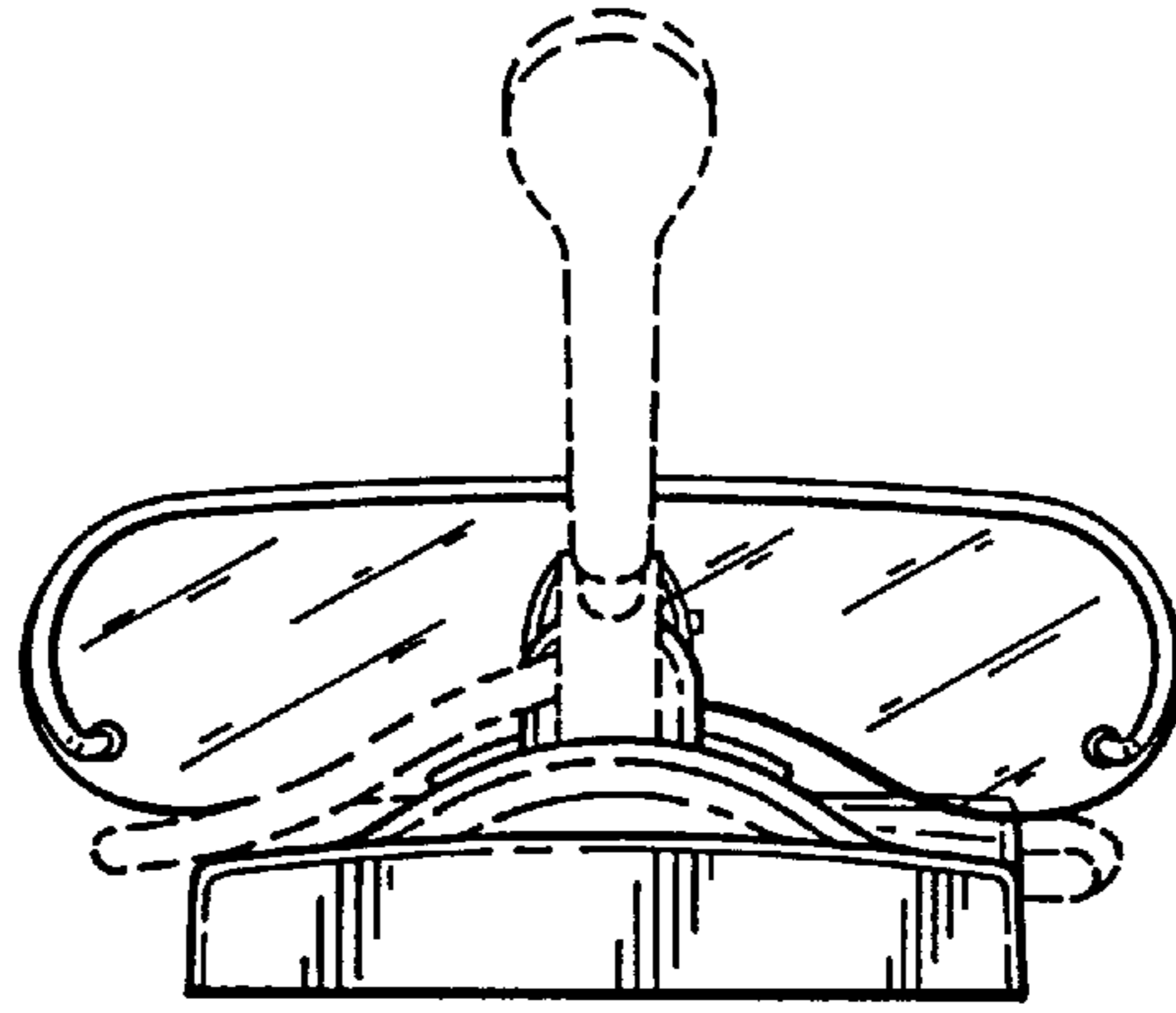
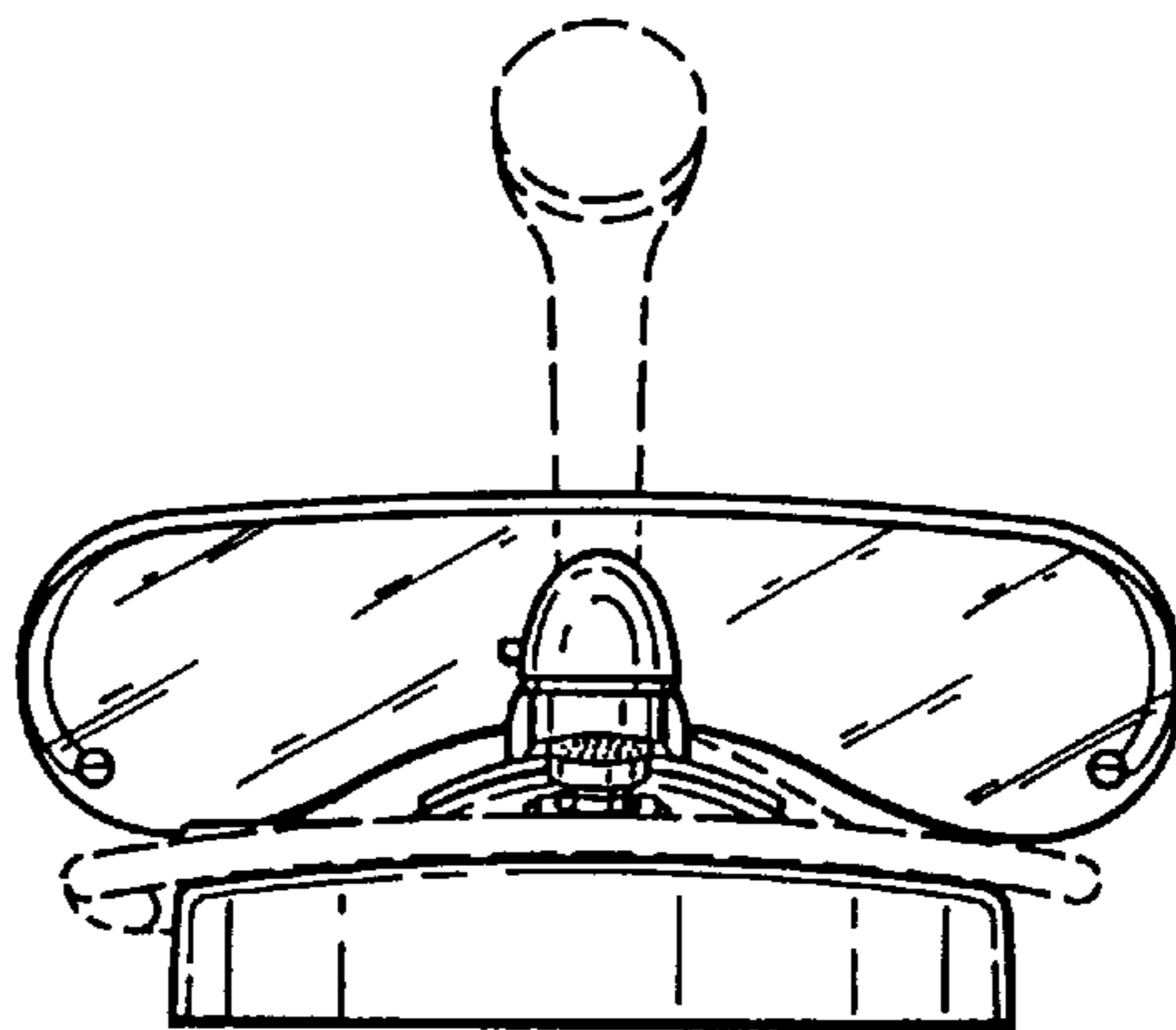


Fig. 5



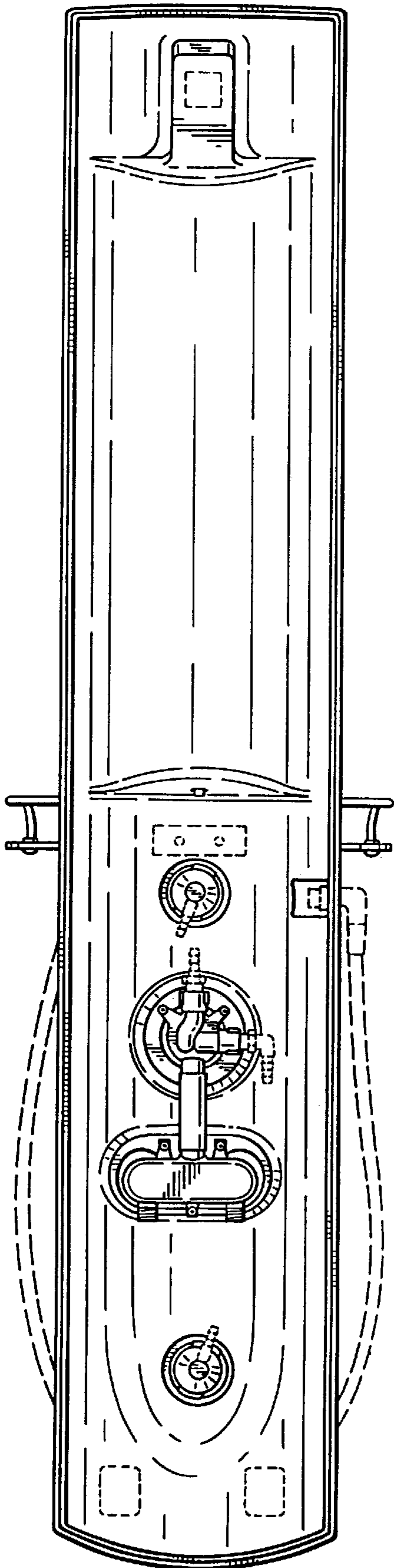


Fig. 6

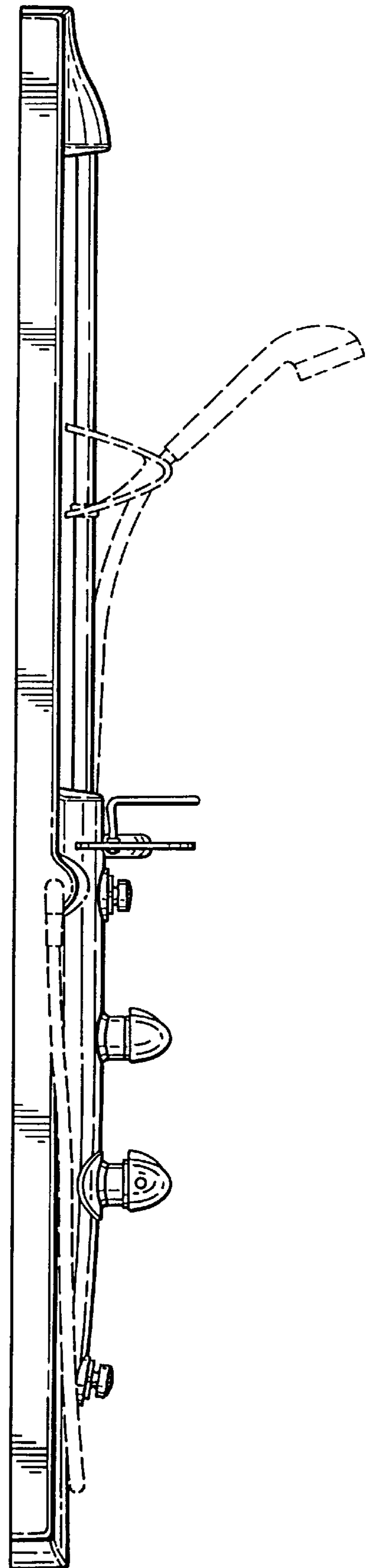


Fig. 7