



US00D407799S

**United States Patent** [19]  
**Kitchen et al.**

[11] **Patent Number: Des. 407,799**

[45] **Date of Patent: \*\*Apr. 6, 1999**

[54] **MANUALLY ACTUATED DIAPHRAGM VALVE WITH LOCKOUT FEATURE FOR OPEN AND CLOSED POSITIONS**

[75] Inventors: **Dale J. Kitchen**, Euclid; **Thomas E. DiBiase**, Mentor, both of Ohio

[73] Assignee: **Swagelok Marketing Co.**, Cleveland, Ohio

[\*\*] Term: **14 Years**

[21] Appl. No.: **69,470**

[22] Filed: **Apr. 2, 1997**

[51] **LOC (6) Cl.** ..... **23-01**

[52] **U.S. Cl.** ..... **D23/245**

[58] **Field of Search** ..... D23/233, 235, D23/245, 247, 248; 137/383, 384.2

[56] **References Cited**

**U.S. PATENT DOCUMENTS**

2,648,517	8/1953	Berland et al. ....	137/383
3,504,694	4/1970	Noland .....	137/383
5,092,359	3/1992	Wirth et al. ....	137/383

**OTHER PUBLICATIONS**

Attached Exhibit A consisting of 5 views of a design for a toggle valve 1995.

Attached Exhibit B consisting of a facsimile cover sheet 1995.

Attached Exhibit C consisting of 3 pages of drawings of a design for a toggle valve 1995.

*Primary Examiner*—Alan P. Douglas  
*Assistant Examiner*—Robin V. Taylor  
*Attorney, Agent, or Firm*—Calfee, Halter & Griswold LLP

[57] **CLAIM**

The ornamental design for a manually actuated diaphragm valve with lockout feature for open and closed positions, as shown and described.

**DESCRIPTION**

FIG. 1 is a perspective view of the valve with a toggle handle taken generally from the upper left side with the handle being shown in an upright position, the lock shown in broken lines forming no portion of the subject invention;

FIG. 2 is a perspective view substantially similar to FIG. 1 except taken from the upper right side and showing the handle in a lowered position, the lock shown in broken lines forming no part of the subject invention;

FIG. 3 is a front elevational view thereof with the lock removed and the handle in a lowered position;

FIG. 4 is a right side elevational view thereof with the lock removed and the handle in a lowered position;

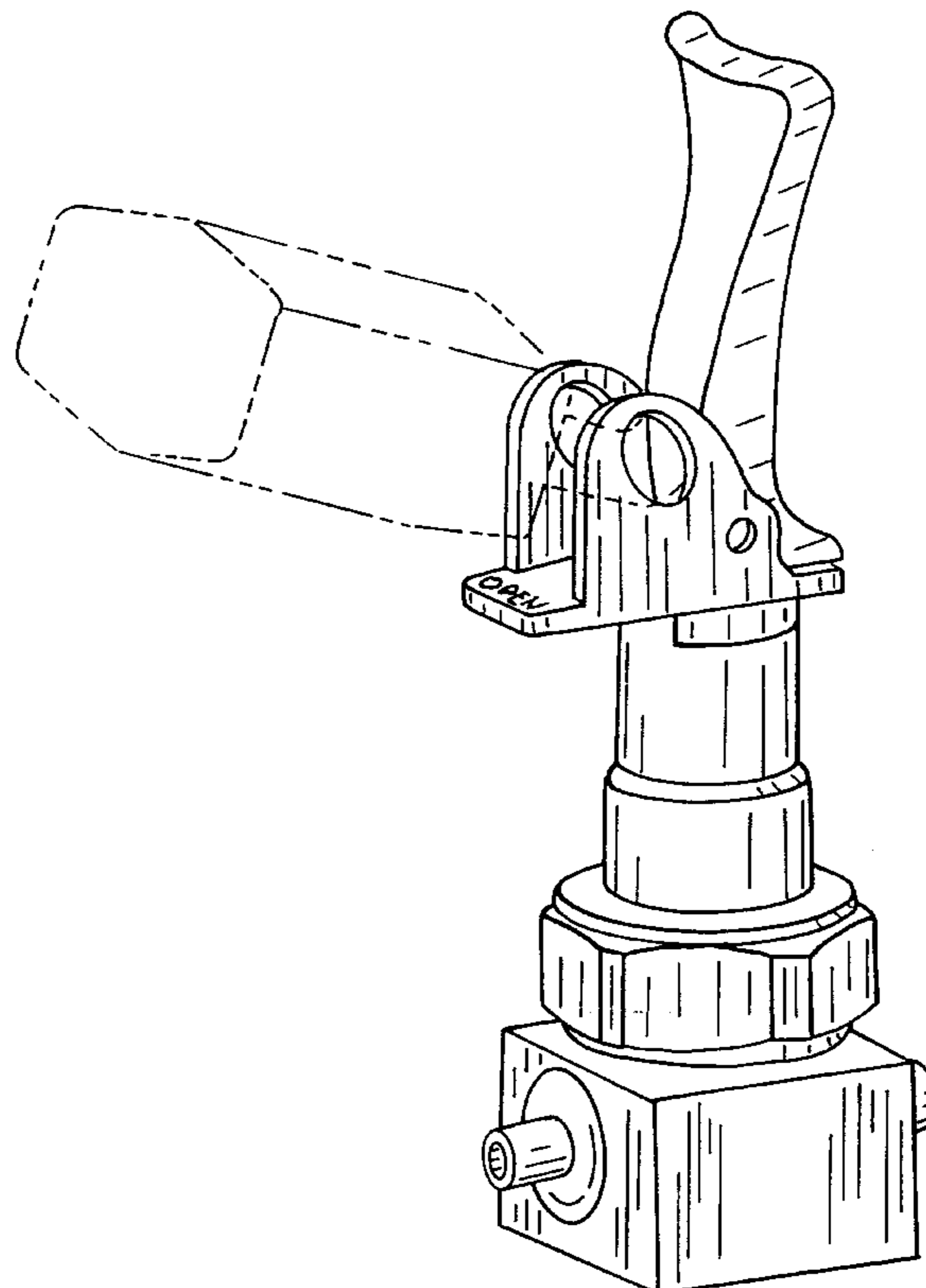
FIG. 5 is a left side elevational view thereof with the lock removed and the handle in a lowered position;

FIG. 6 is a rear elevational view thereof with the lock removed and the handle in a lowered position;

FIG. 7 is a top plan view thereof with the lock removed and the handle in a lowered position; and,

FIG. 8 is a bottom plan view thereof with the lock removed and the handle in a lowered position.

**1 Claim, 7 Drawing Sheets**



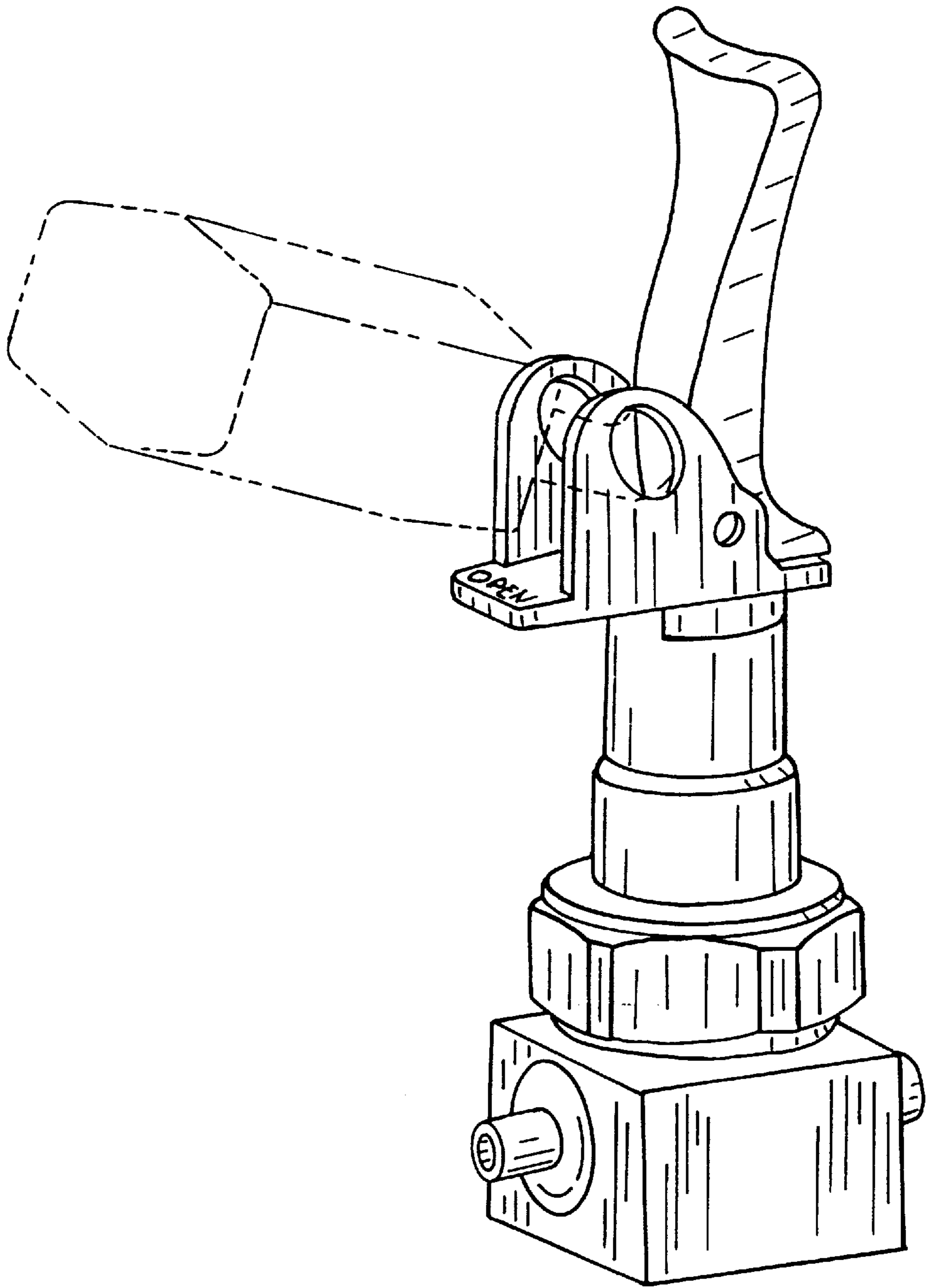


FIG. 1

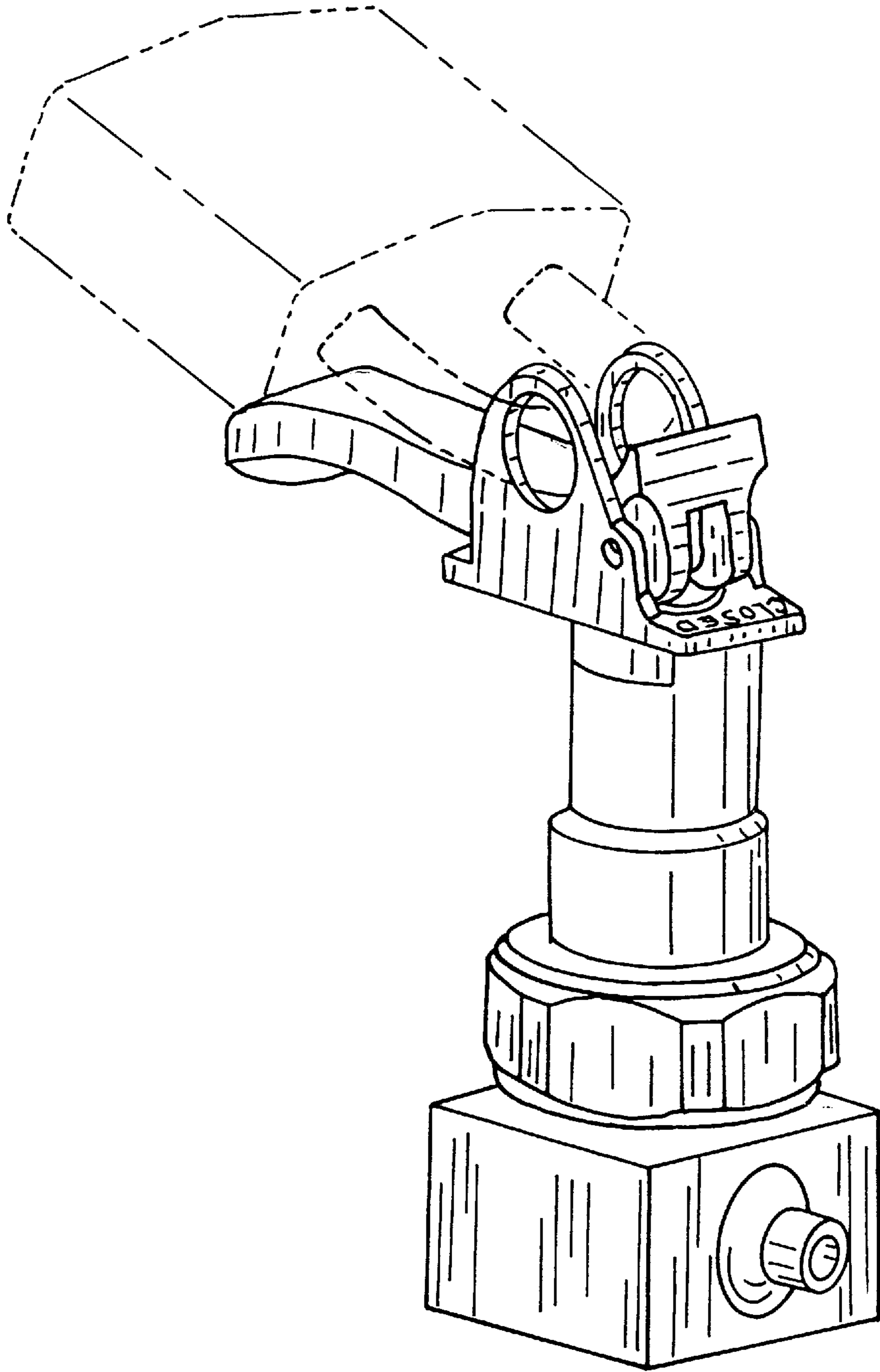


FIG. 2

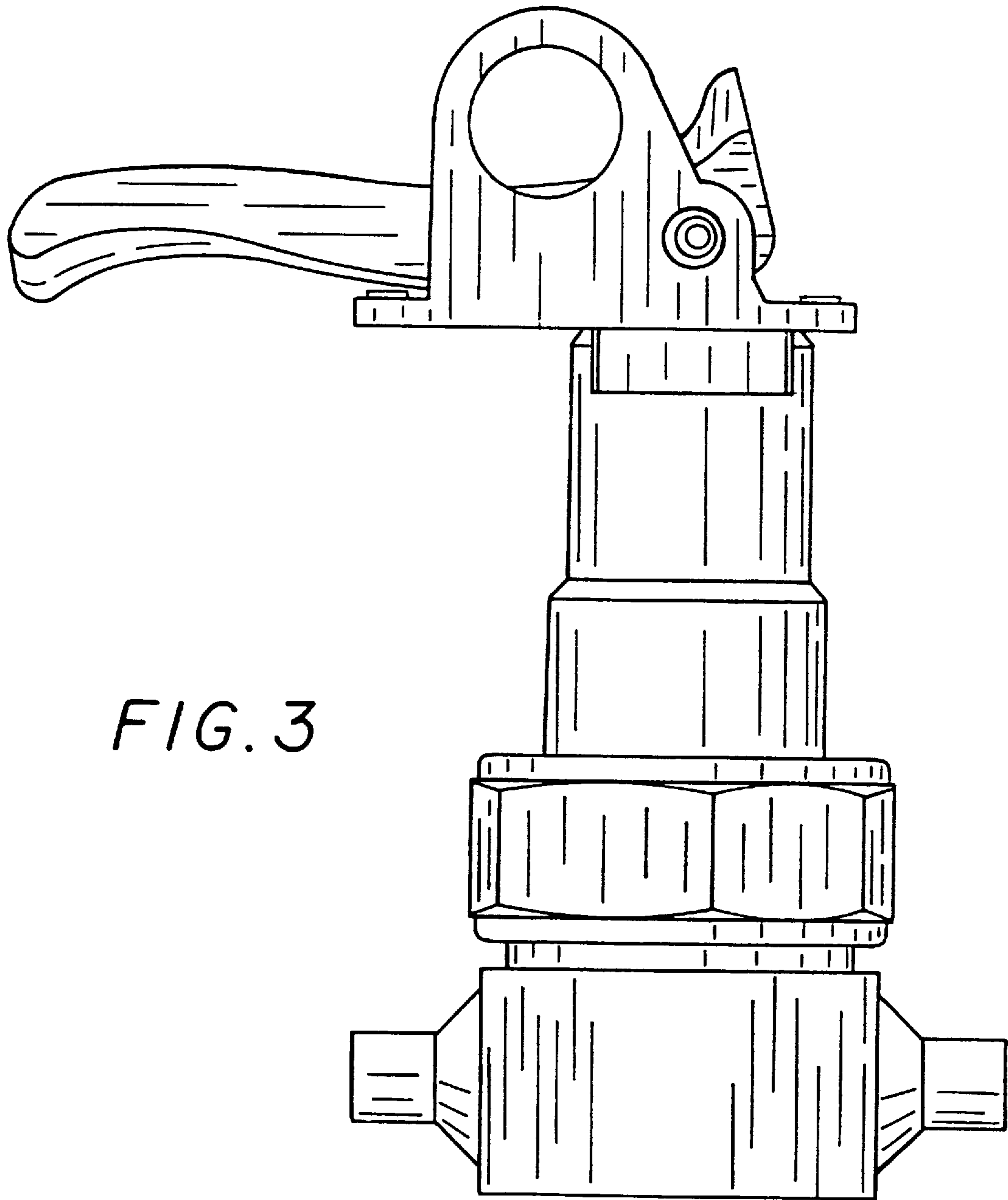
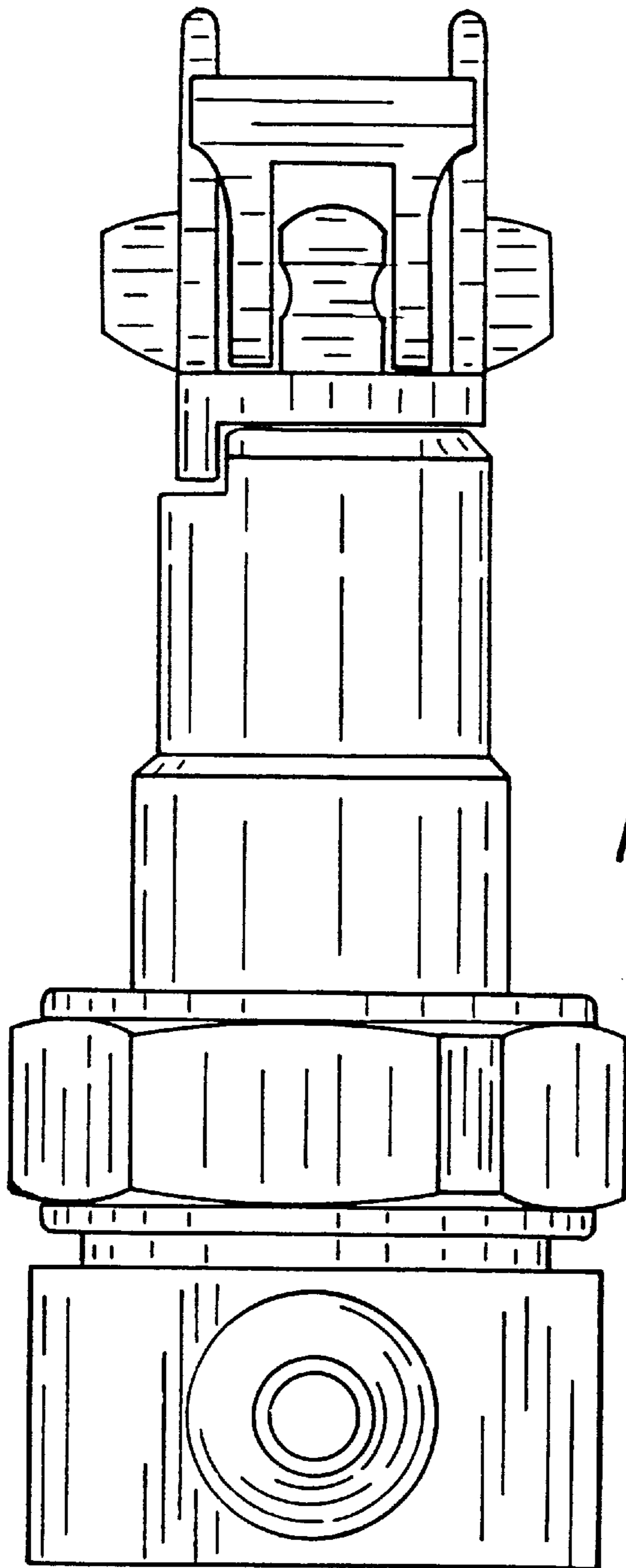
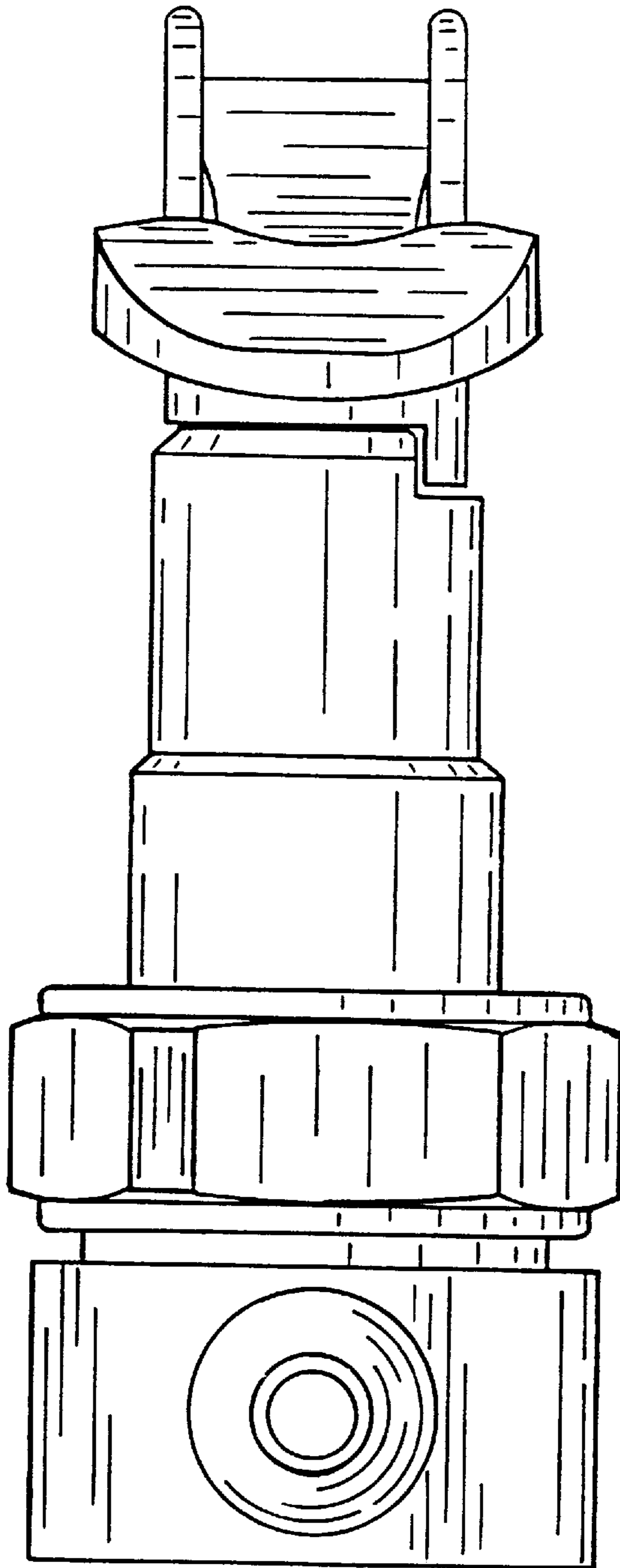


FIG. 3



*FIG. 4*

*FIG. 5*



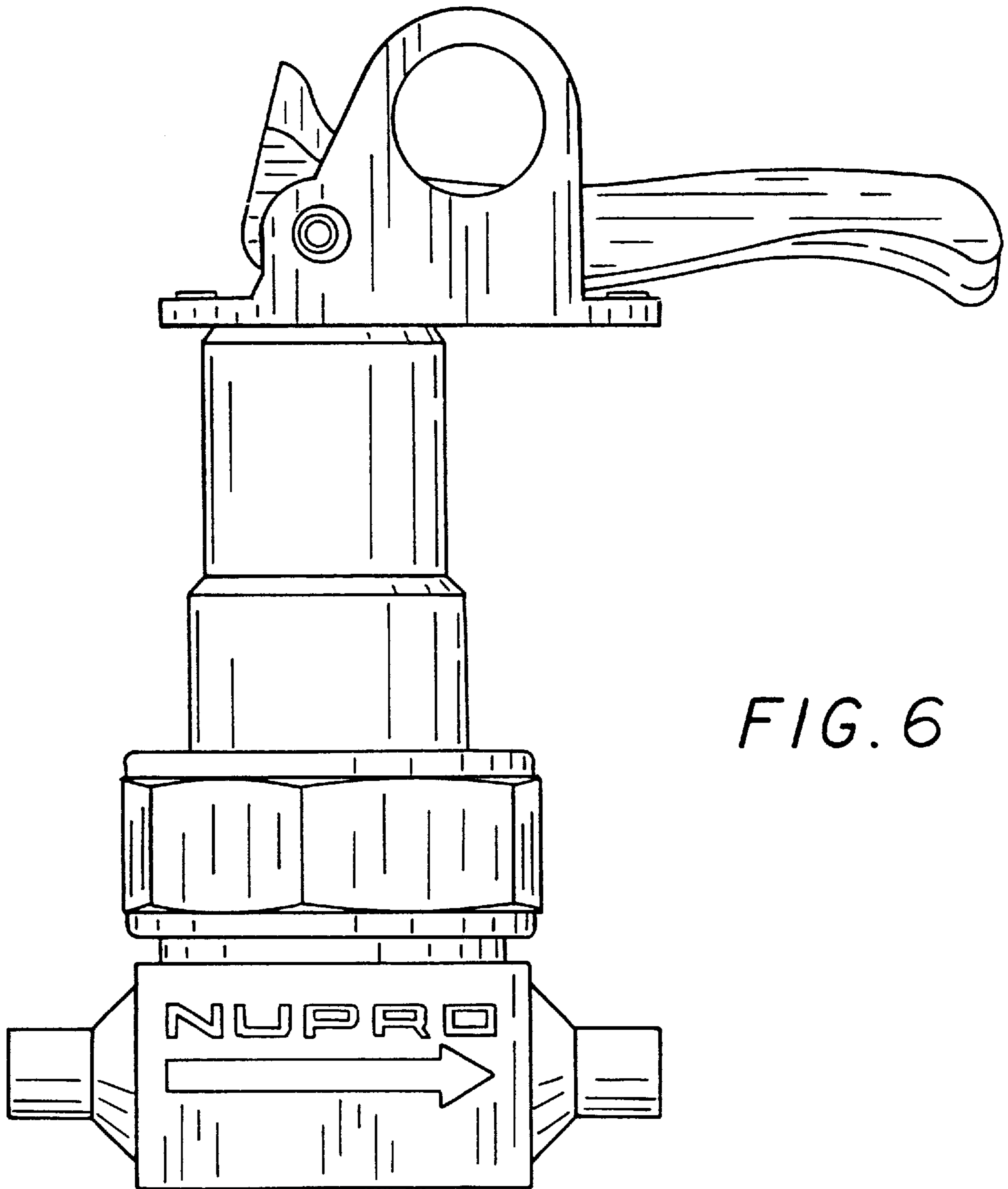


FIG. 6

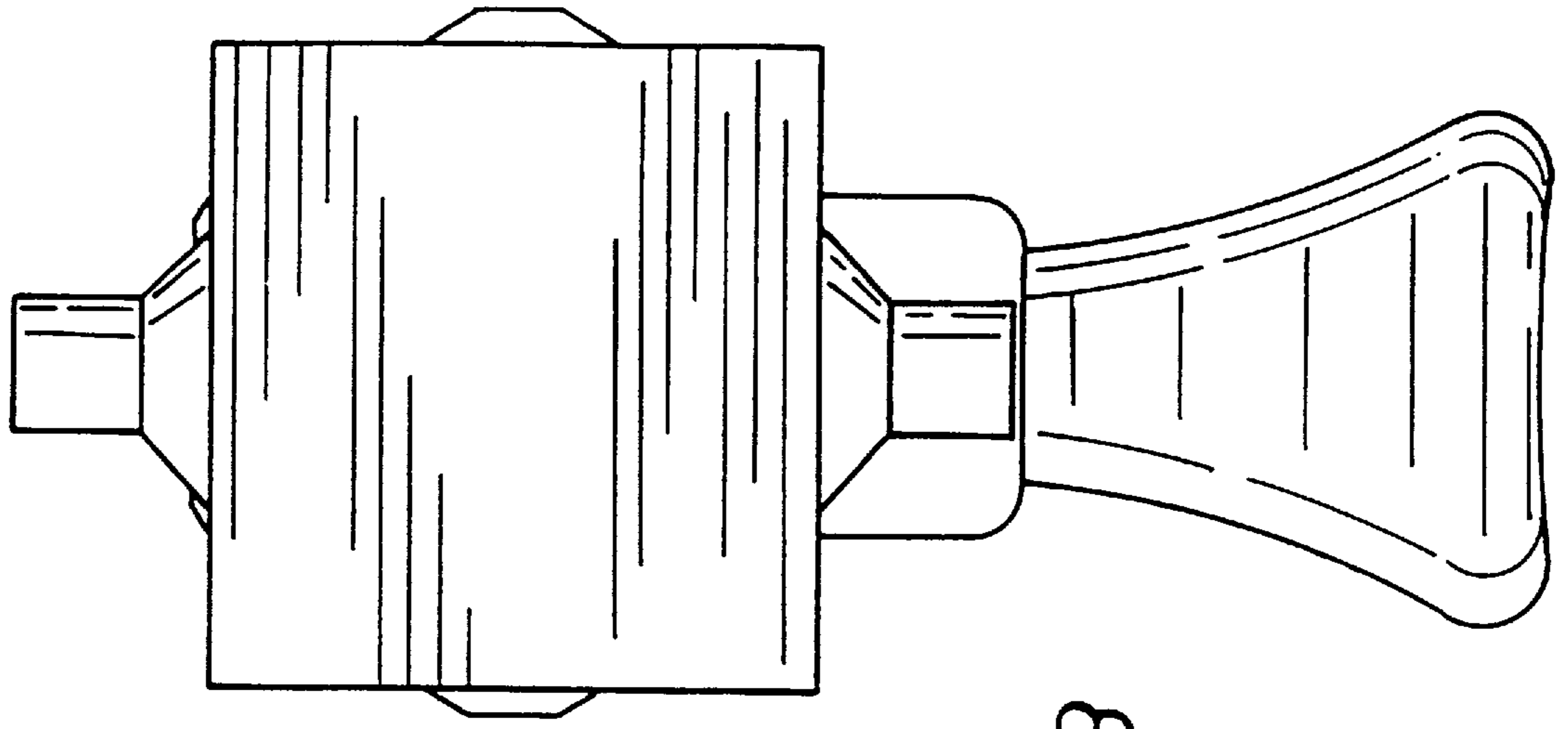


FIG. 8

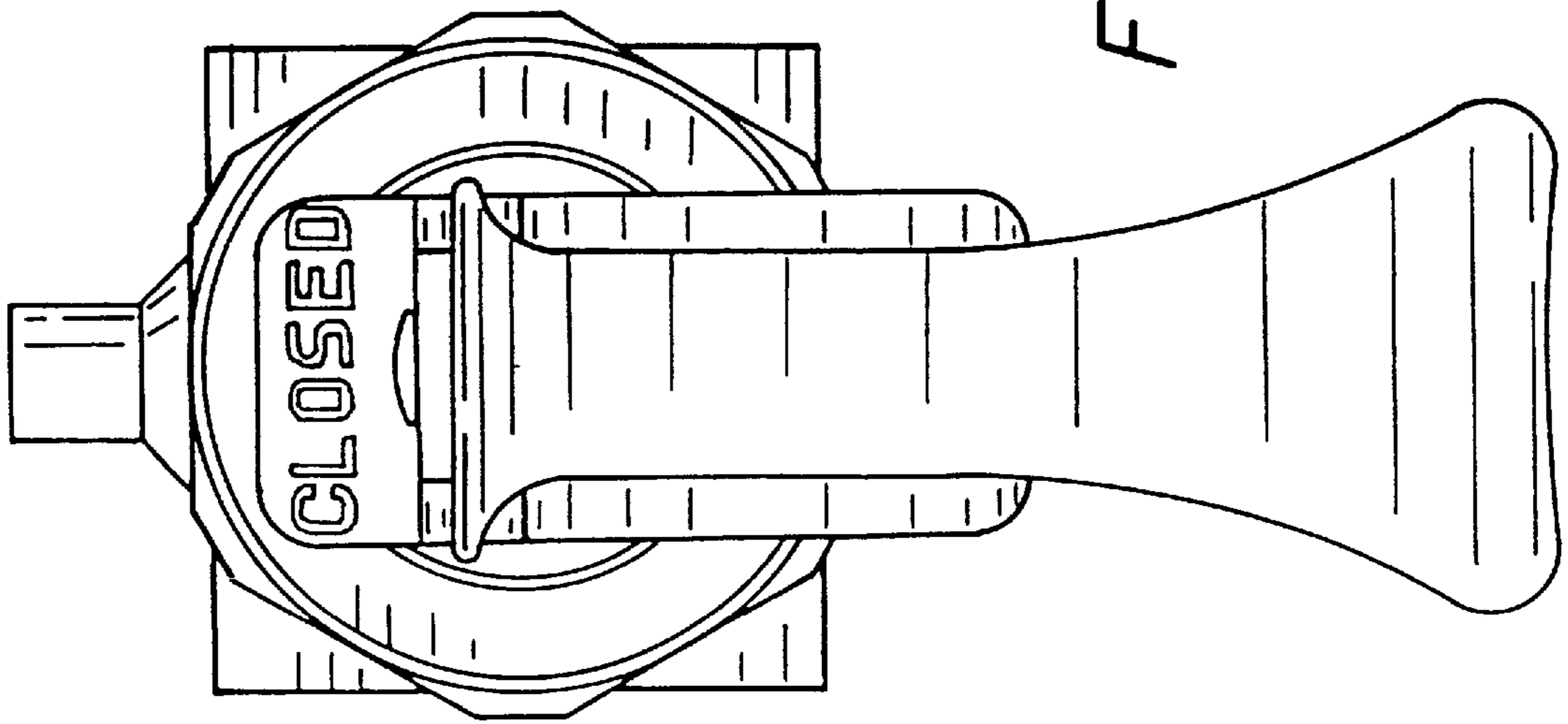


FIG. 7