



US00D407795S

# United States Patent [19] Pitsch

[11] **Patent Number:** **Des. 407,795**  
[45] **Date of Patent:** **\*\*Apr. 6, 1999**

[54] **FAUCET**

[75] **Inventor:** **Walter Pitsch**, Franklin Park, N.J.

[73] **Assignee:** **American Standard Inc.**, Piscataway, N.J.

[\*\*] **Term:** **14 Years**

[21] **Appl. No.:** **79,544**

[22] **Filed:** **Nov. 19, 1997**

[51] **LOC (6) Cl.** ..... **23-01**

[52] **U.S. Cl.** ..... **D23/238**

[58] **Field of Search** ..... D23/238-243,  
D23/250-257; 4/675-678; 137/801

[56] **References Cited**

**U.S. PATENT DOCUMENTS**

- D. 169,551 5/1953 Kendrick .
- D. 187,846 5/1960 Brown .
- D. 250,272 11/1978 Jones .
- D. 299,518 1/1989 Yost .
- D. 323,877 2/1992 Haug et al. .
- D. 325,423 4/1992 Kolada et al. .
- D. 329,685 9/1992 Brattoli et al. .
- D. 346,852 5/1994 Hill .
- D. 362,489 9/1995 Moon .
- D. 365,142 12/1995 Hill et al. .
- D. 366,519 1/1996 Lobermeier .
- D. 369,208 4/1996 Doughty et al. .
- D. 373,616 9/1996 Doughty et al. .
- D. 373,618 9/1996 Doughty et al. .
- D. 373,621 9/1996 Doughty et al. .
- D. 374,706 10/1996 Doughty et al. .
- D. 381,066 7/1997 Hill et al. .
- D. 382,940 8/1997 Ku .
- 3,035,612 5/1962 Lyon .
- 3,533,436 10/1970 Parkinson .

- 4,290,445 9/1981 Turner .
- 4,356,574 11/1982 Johnson .
- 4,387,738 6/1983 Bisonaya et al. .
- 4,513,769 4/1985 Purcell .
- 4,649,958 3/1987 Purcell .
- 4,747,428 5/1988 Crawford et al. .
- 4,751,943 6/1988 Chi .
- 5,031,657 7/1991 Stairs .
- 5,131,428 7/1992 Bory .
- 5,165,121 11/1992 McTargett et al. .
- 5,368,071 11/1994 Hsieh .
- 5,608,928 3/1997 Wang .
- 5,642,755 7/1997 Mark et al. .

**FOREIGN PATENT DOCUMENTS**

485346 10/1991 European Pat. Off. .

**OTHER PUBLICATIONS**

Delta-Delex Facuets Catalog—1976.  
*Domestic Engineering* —Kitchen and Bath—1989.

*Primary Examiner*—Louis S. Zarfes  
*Assistant Examiner*—Eric Watterson  
*Attorney, Agent, or Firm*—Joseph M. Homa

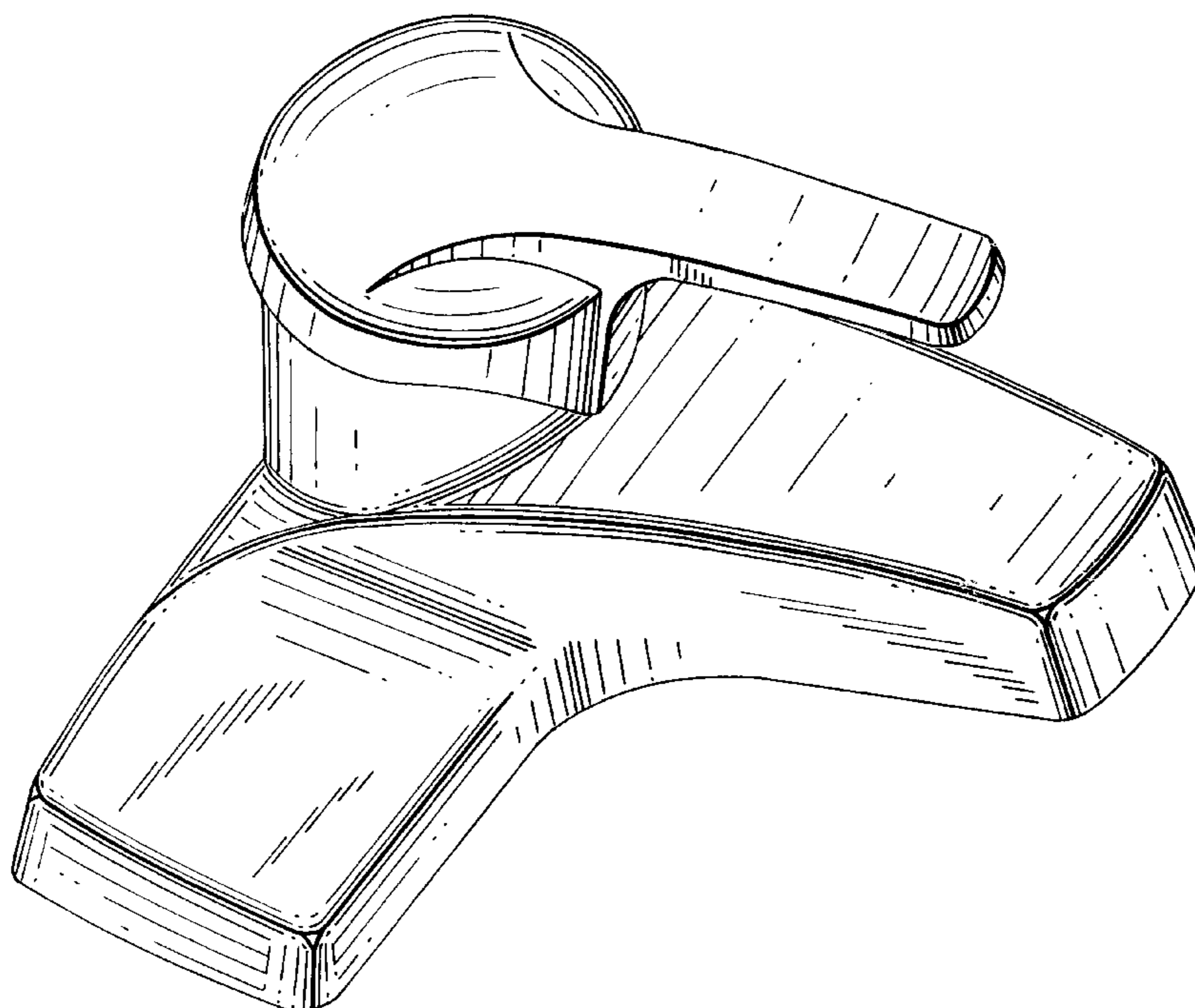
[57] **CLAIM**

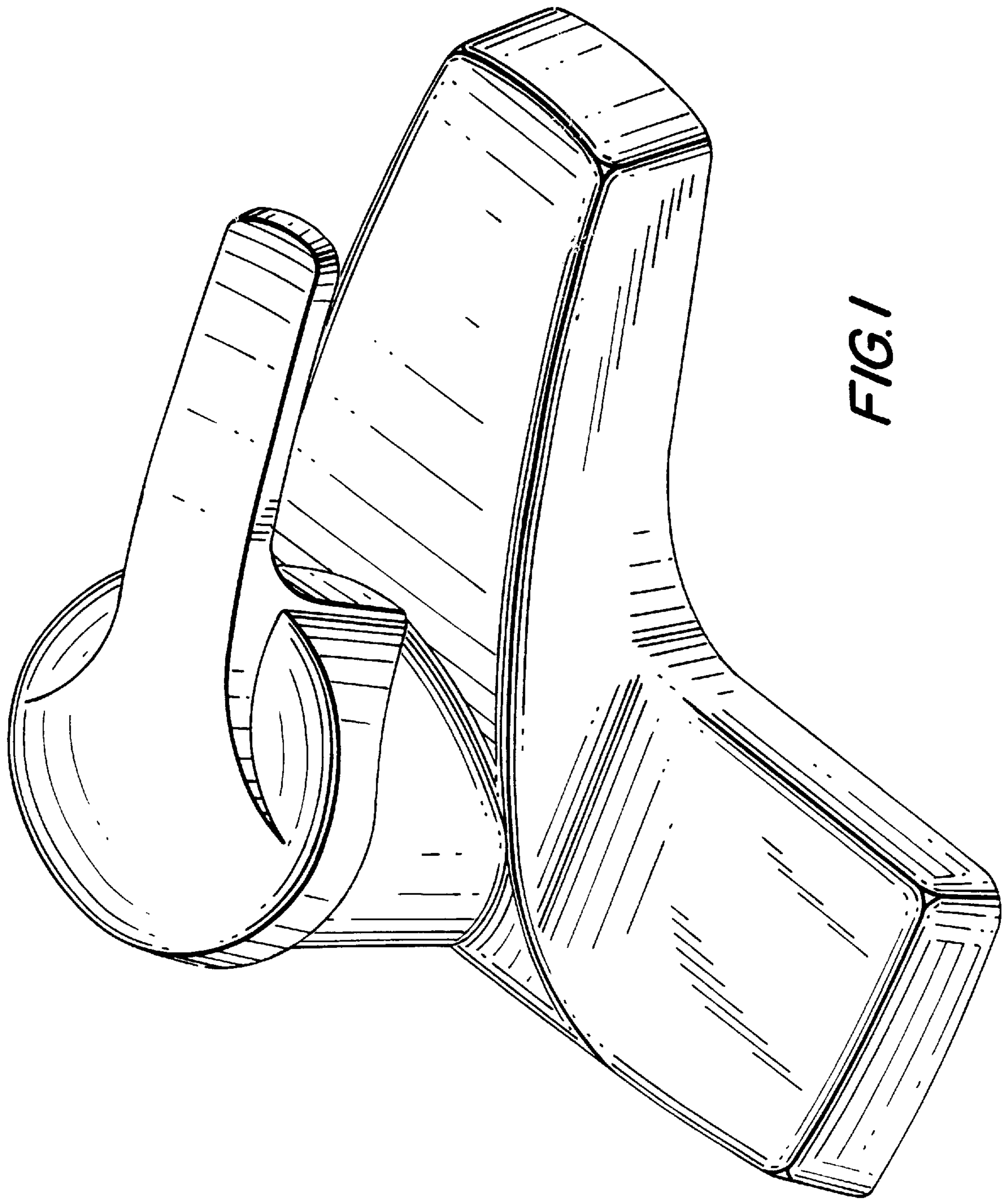
The ornamental design for a faucet, as shown and described.

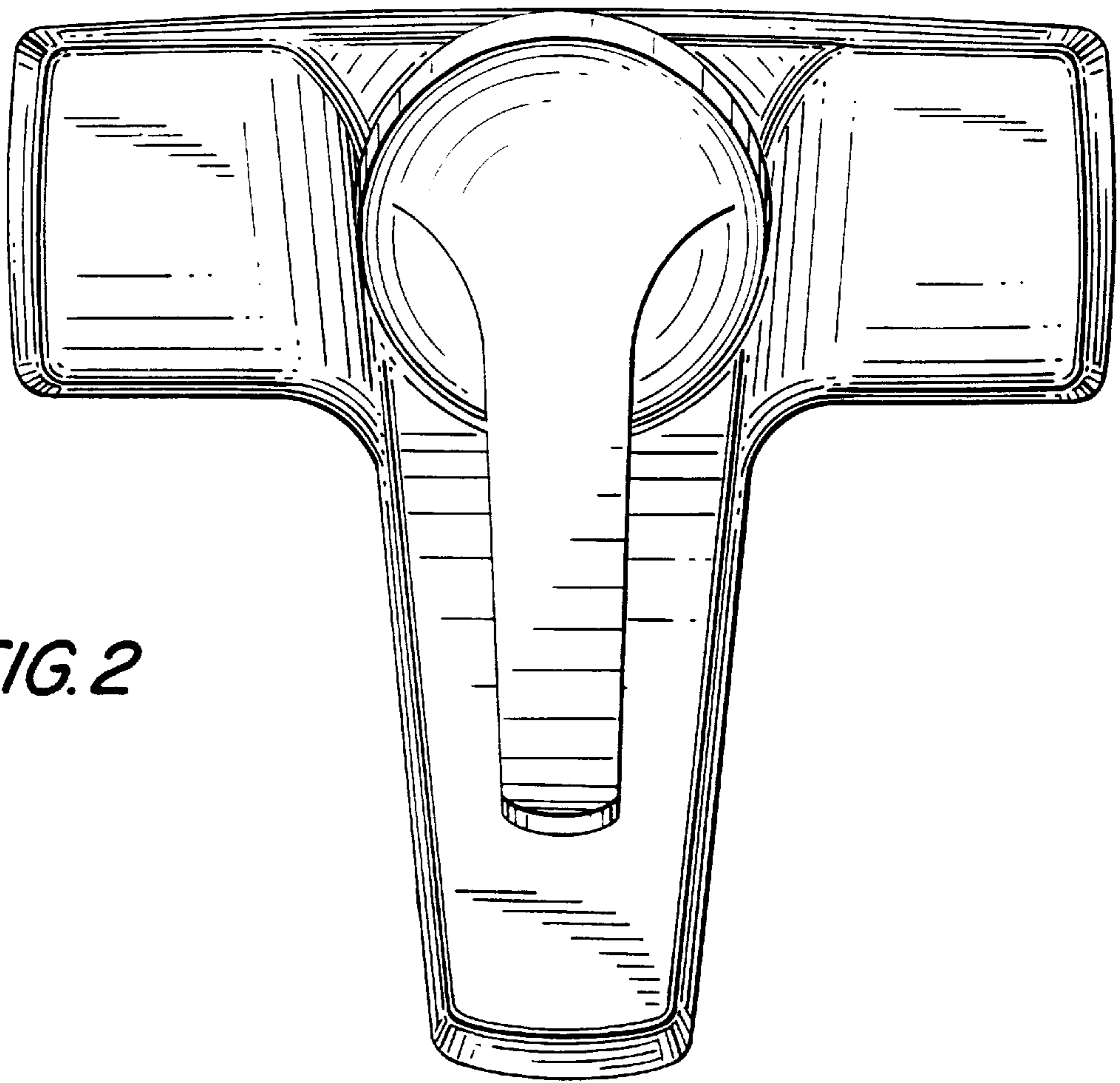
**DESCRIPTION**

FIG. 1 is a top, front and left side perspective view of a faucet showing my new design;  
FIG. 2 is a top plan view thereof;  
FIG. 3 is a right side elevational view thereof;  
FIG. 4 is a left side elevational view thereof;  
FIG. 5 is a front elevational view thereof;  
FIG. 6 is a back elevational view thereof; and,  
FIG. 7 is a bottom plan view thereof.

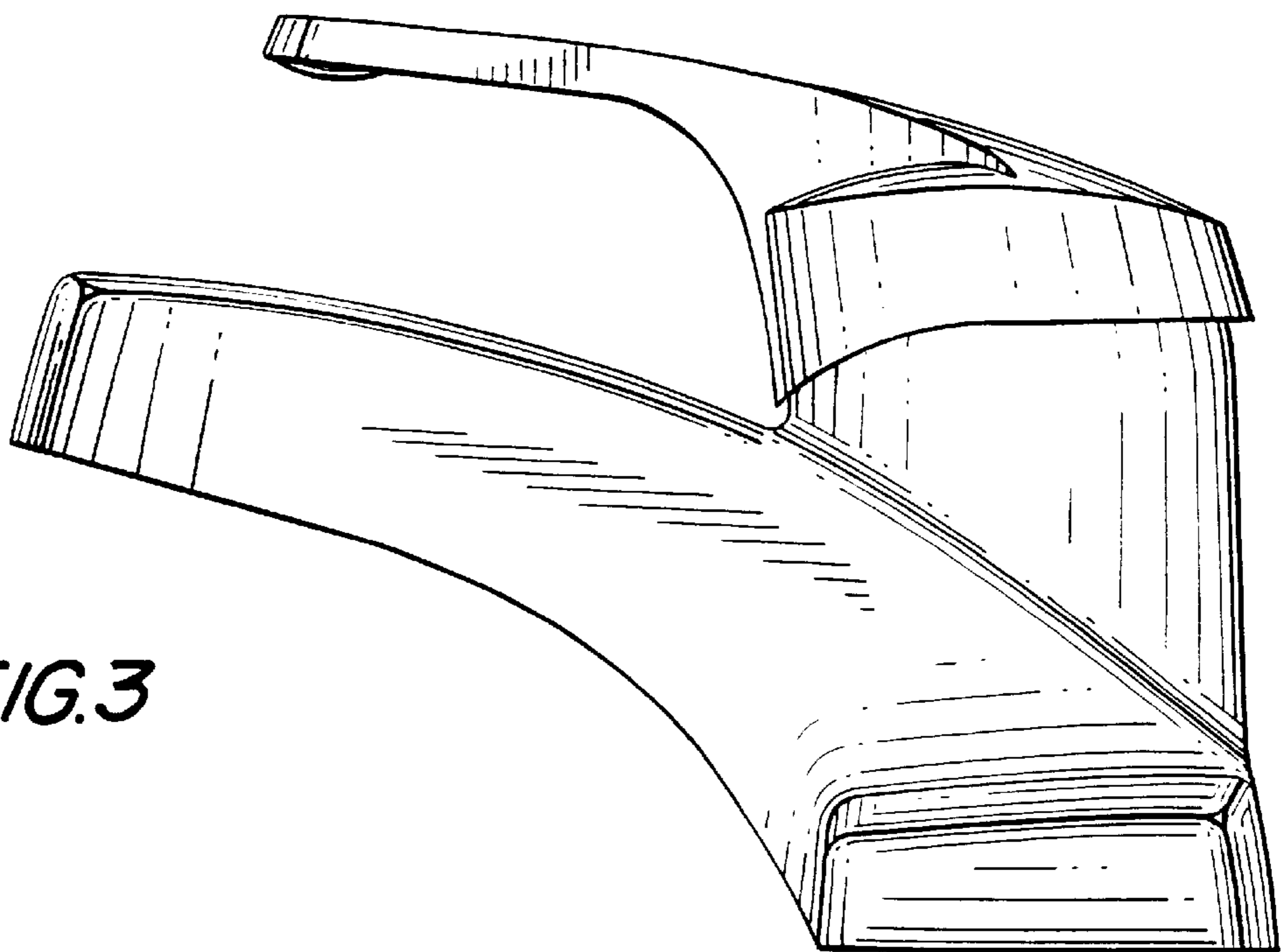
**1 Claim, 4 Drawing Sheets**



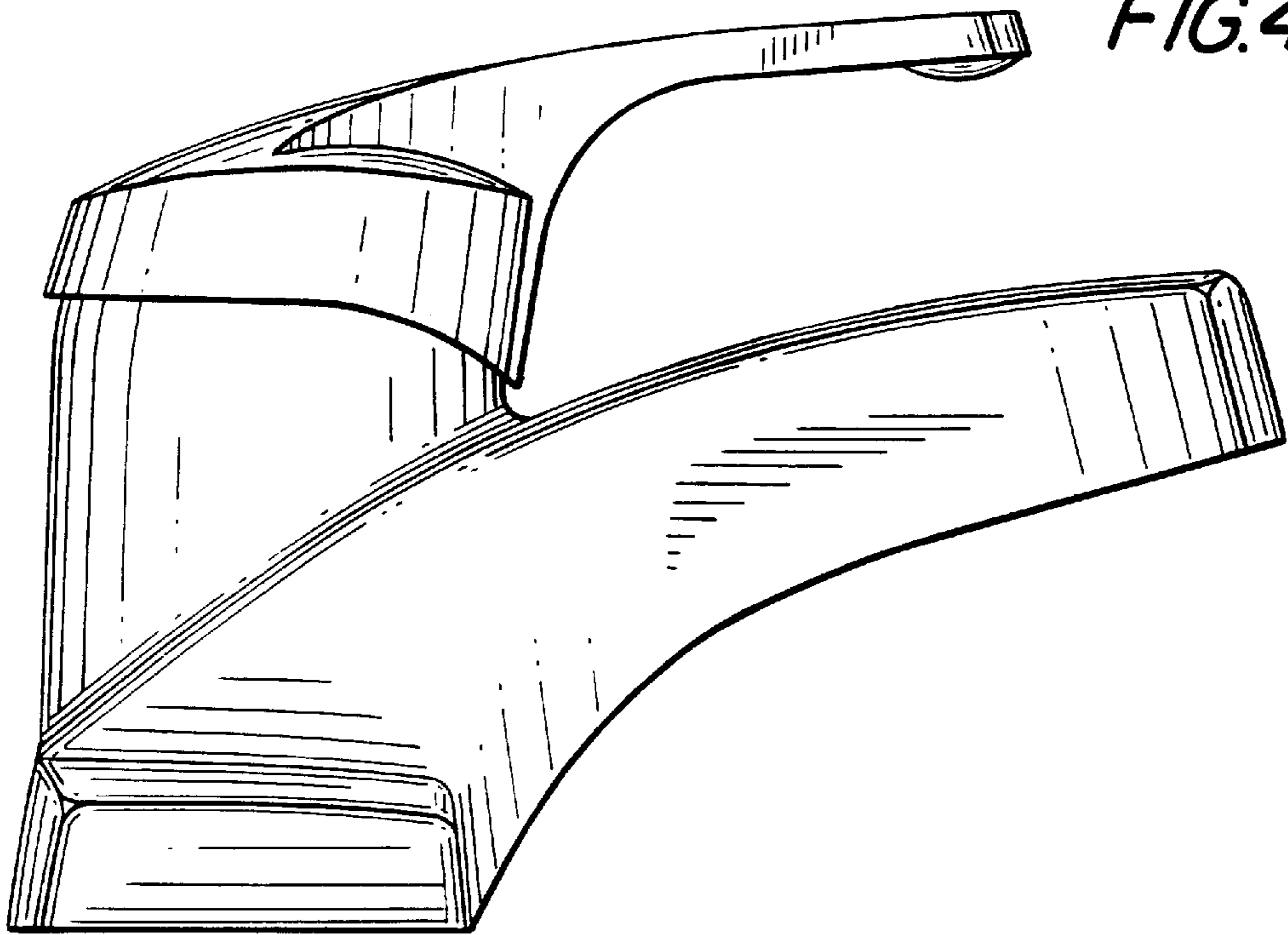




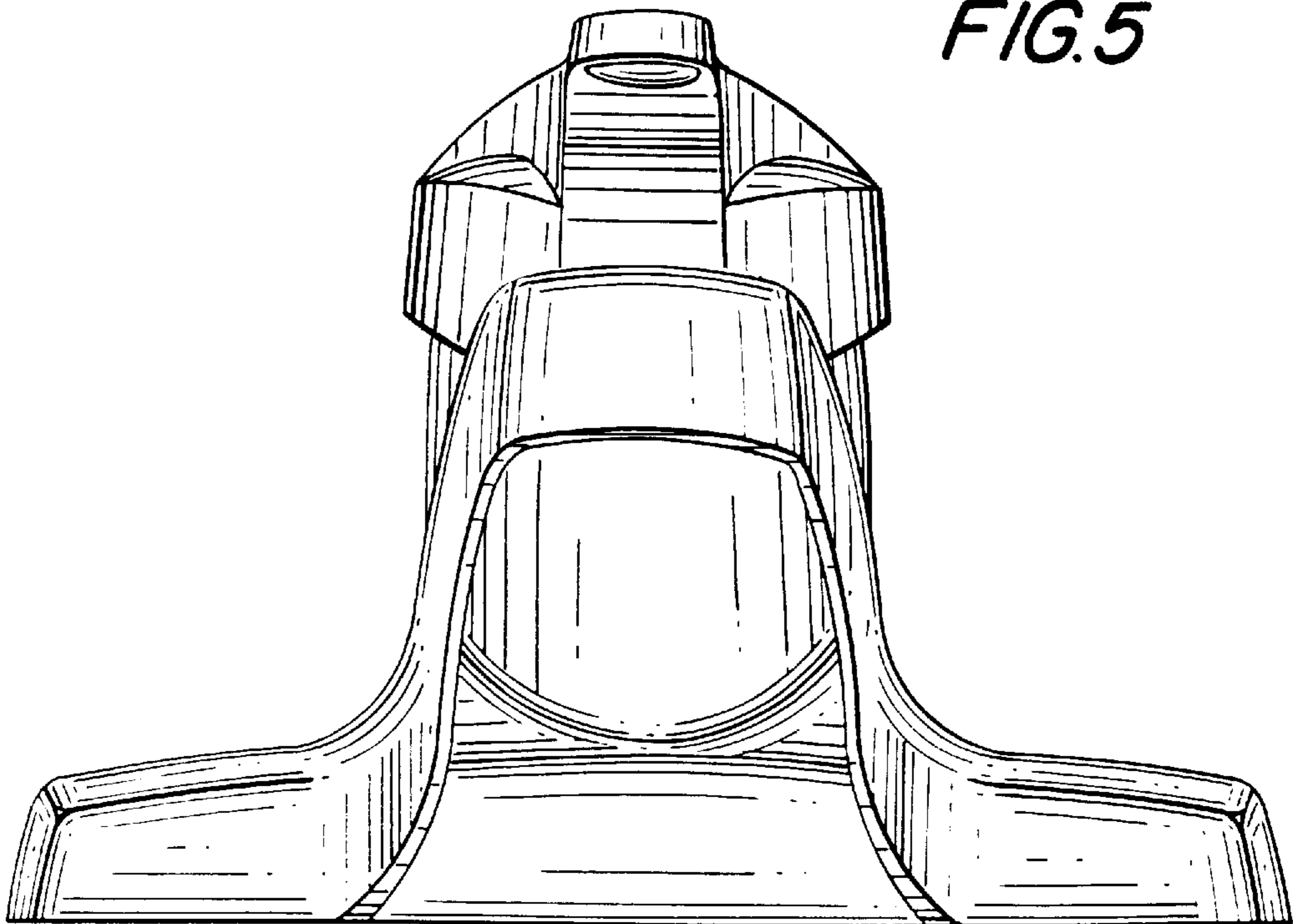
*FIG. 2*



*FIG. 3*

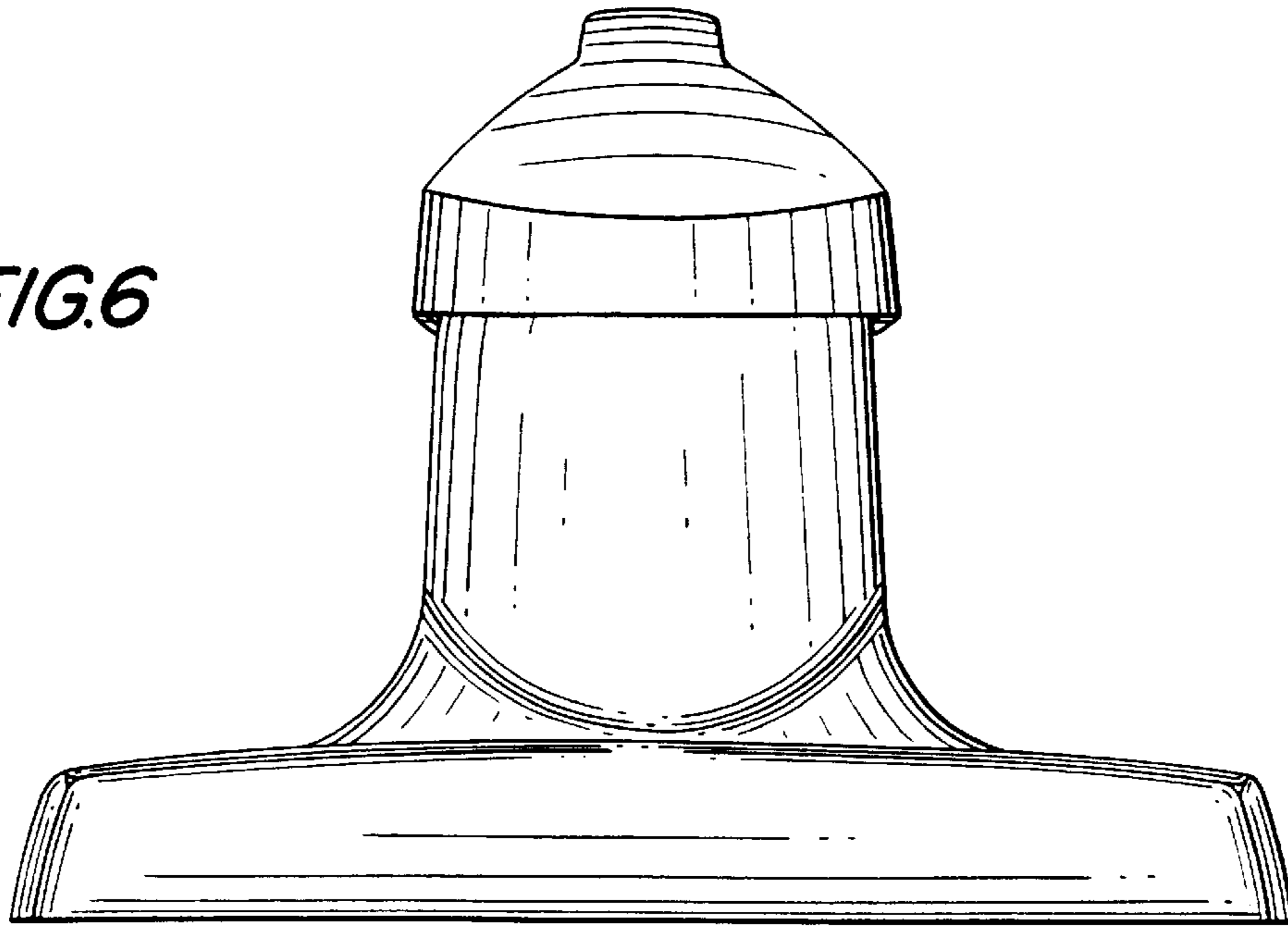


*FIG. 4*



*FIG. 5*

*FIG.6*



*FIG.7*

