



US00D407792S

United States Patent [19] Crooker

[11] Patent Number: **Des. 407,792**

[45] Date of Patent: ****Apr. 6, 1999**

[54] **SLOTTED HOLLOW HANDLE-BUTT SECTION FOR A FISHING ROD**

[76] Inventor: **Steve O. Crooker**, P.O. Box 35, Oakland, Ark. 72661

[**] Term: **14 Years**

[21] Appl. No.: **83,476**

[22] Filed: **Feb. 10, 1998**

[51] **LOC (6) Cl.** **22-05**

[52] **U.S. Cl.** **D22/142**

[58] **Field of Search** D22/142, 138, D22/139; 43/18.1, 20, 23, 22, 25, 25.2

[56] **References Cited**

U.S. PATENT DOCUMENTS

D. 301,049	5/1989	Lassi	D22/142
D. 390,307	2/1998	Ohmura	D22/142
2,628,445	2/1953	Lawrenz	43/23
3,026,644	3/1962	Raider	43/25.2
3,418,742	12/1968	Yaklyvich	43/25.2
3,484,980	12/1969	Wait	43/25.2
3,521,393	7/1970	Gordon	43/25.2
3,711,985	1/1973	Winters	43/25.2
5,056,256	10/1991	Truax	43/25.2
5,297,676	3/1994	Coleman	43/25.2

Primary Examiner—Doris V. Coles
Attorney, Agent, or Firm—Jonathan A. Bay

[57] **CLAIM**

The ornamental design for a slotted hollow handle-butt section for a fishing rod, as shown and described.

DESCRIPTION

FIG. 1 is a perspective view of a slotted hollow handle-butt section for a fishing rod showing my new design, wherein a rod and reel arrangement is shown in broken lines for illustrative purposes only and forms no part of the claimed design;

FIG. 2 is an enlarged perspective view thereof, except that the rod and reel arrangement is removed from the view, and that a lure is shown in broken lines for illustrative purposes only and forms no part of the claimed design;

FIG. 3 is a perspective view thereof except from a changed vantage point relative to FIG. 2, and except that the lure is removed from the view and portions of a grip material are shown in broken lines for illustrative purposes only and form no part of the claimed design;

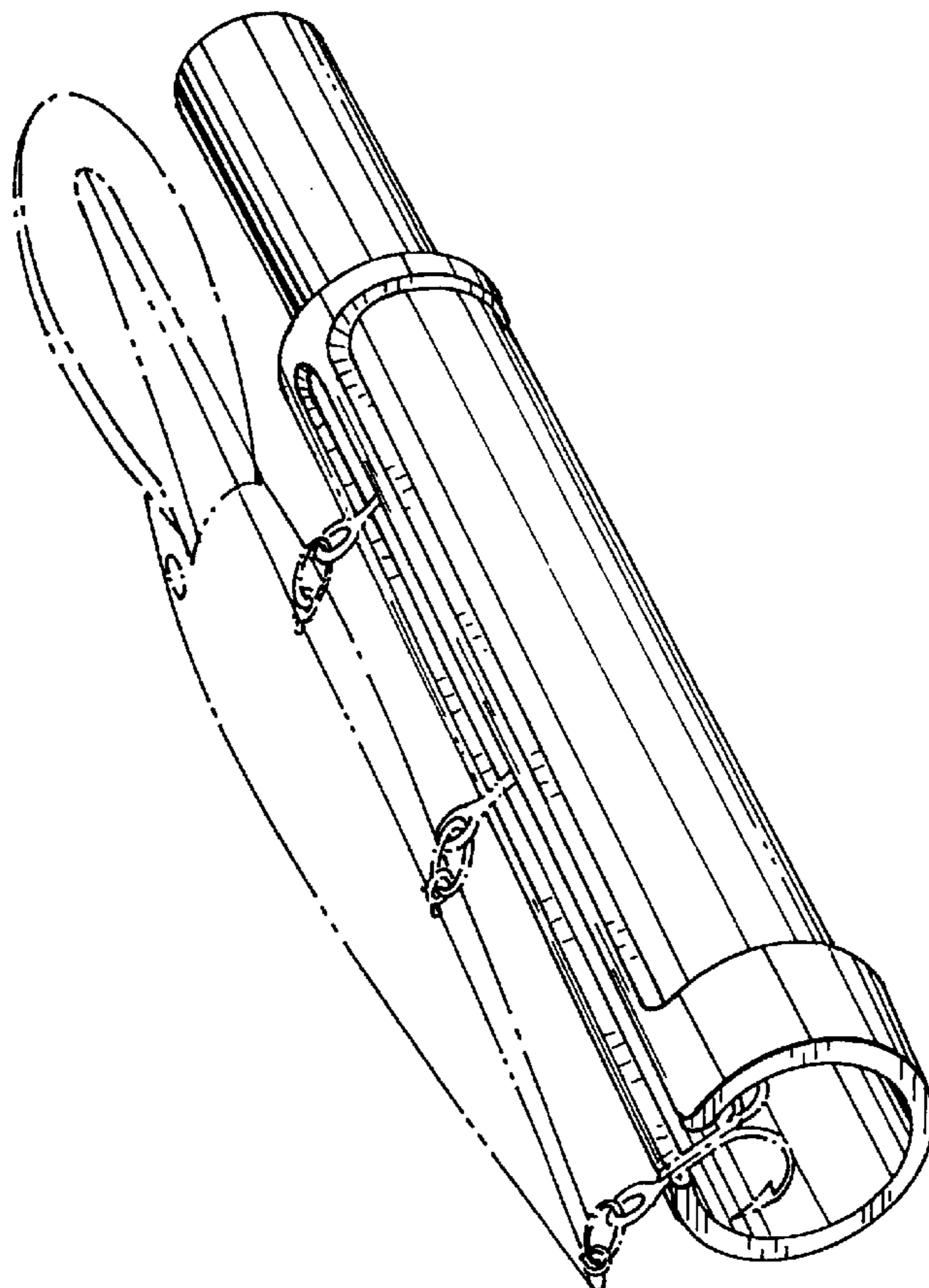
FIG. 4 is a plan view thereof taken from the top of FIG. 2; FIG. 5 is a side elevational view thereof taken from the right side of FIG. 2;

FIG. 6 is a plan view thereof taken from the bottom of FIG. 2;

FIG. 7 is a side elevational view thereof taken from the left side of FIG. 2;

FIG. 8 is a front elevational view thereof; and, FIG. 9 is a rear elevational view thereof.

1 Claim, 3 Drawing Sheets



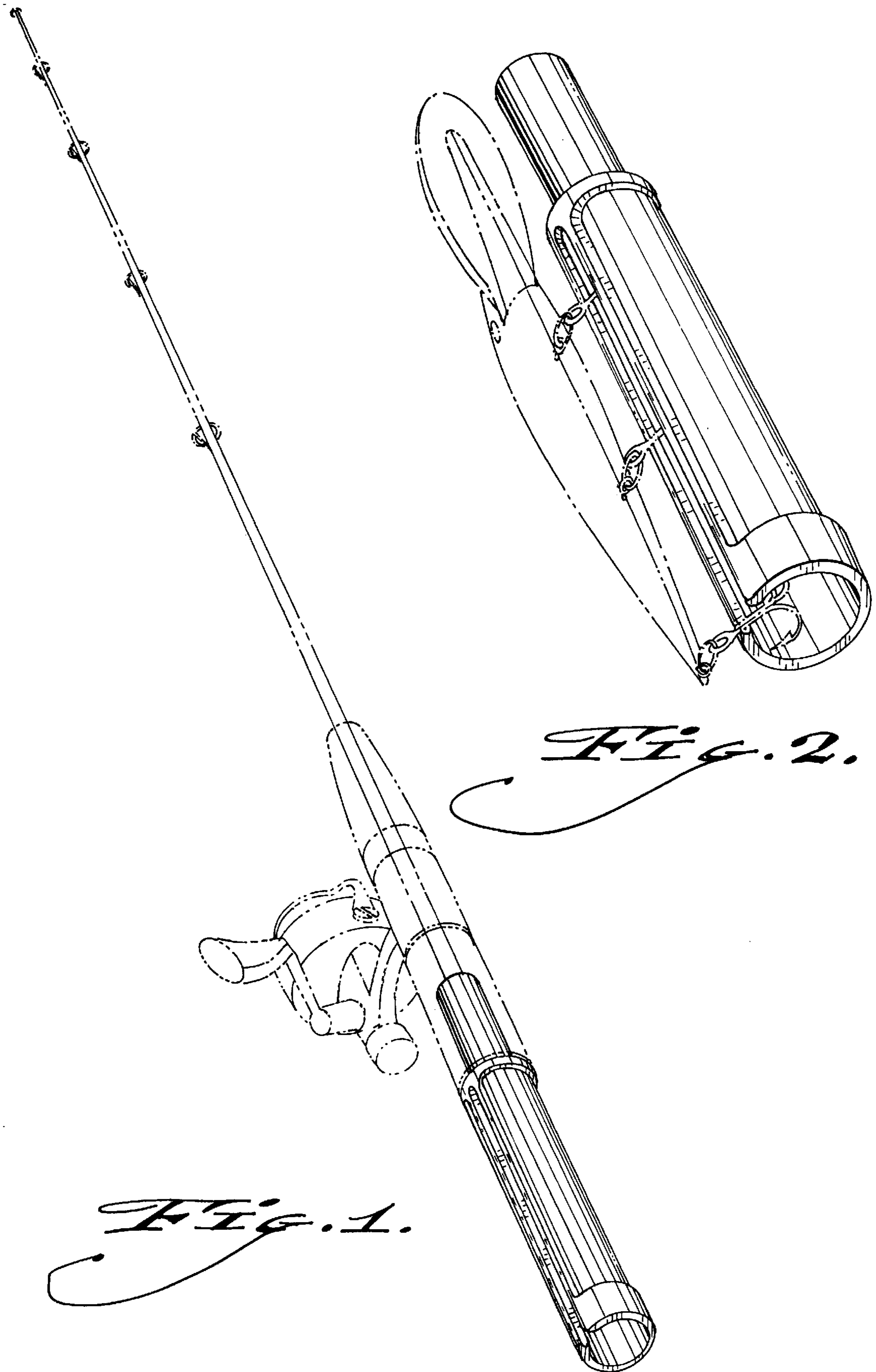


Fig. 1.

Fig. 2.

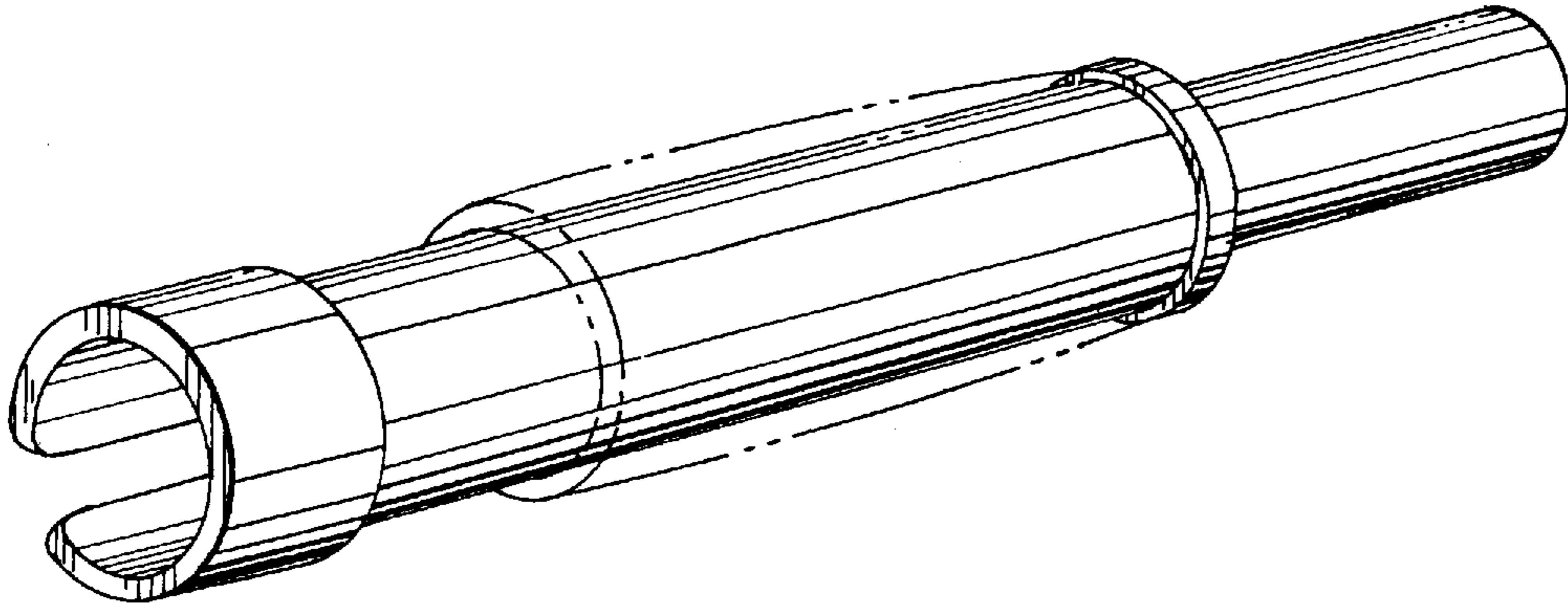


Fig. 3.

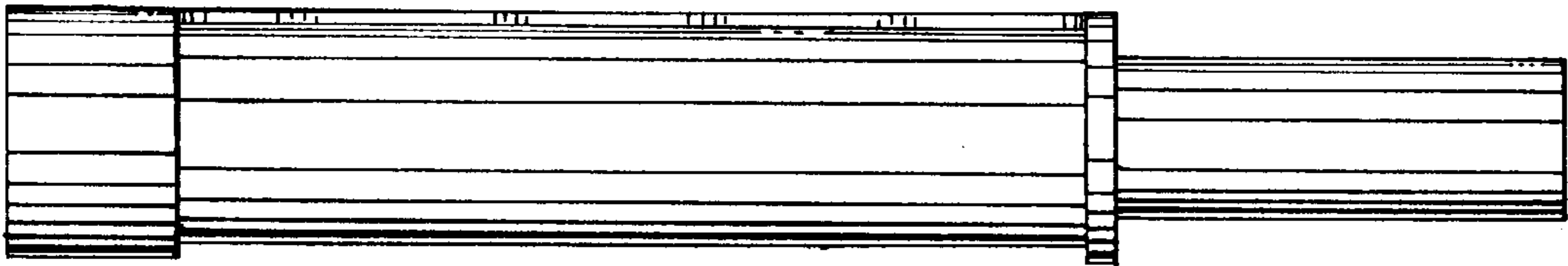


Fig. 4.

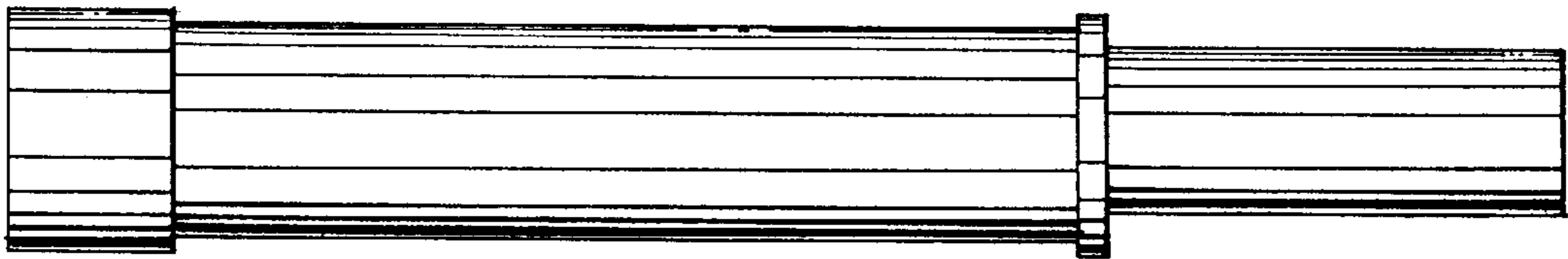


Fig. 5.

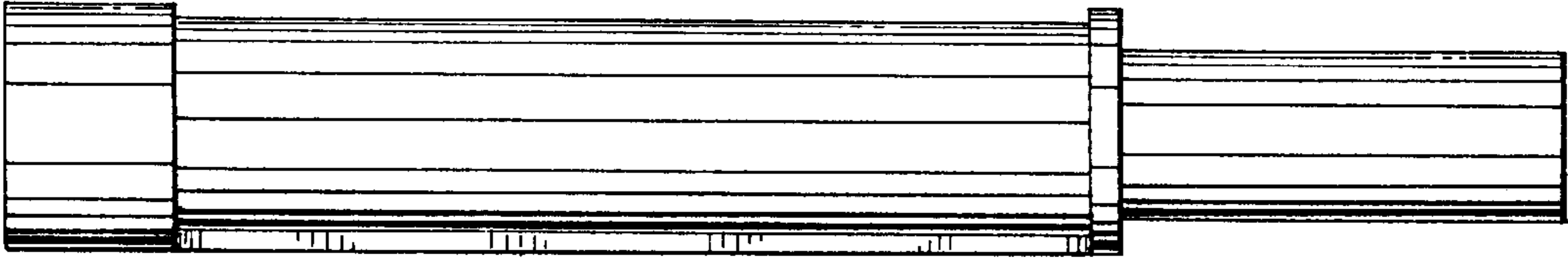


Fig. 6.

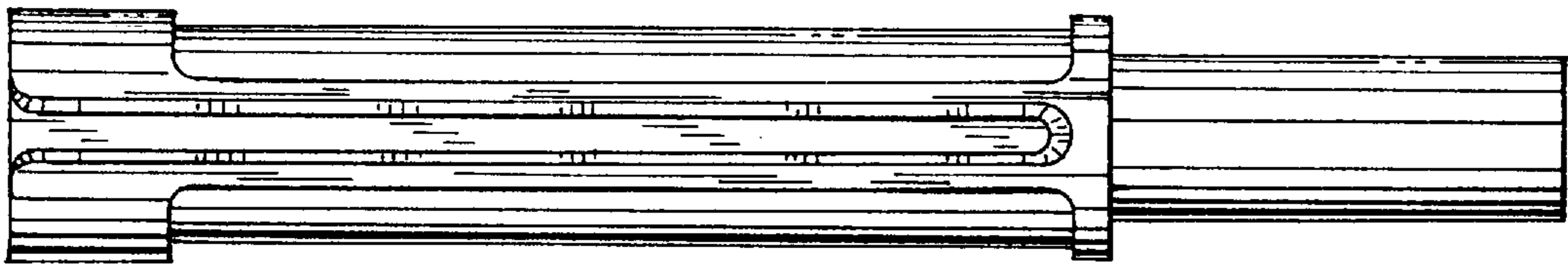


Fig. 7.

Fig. 8.

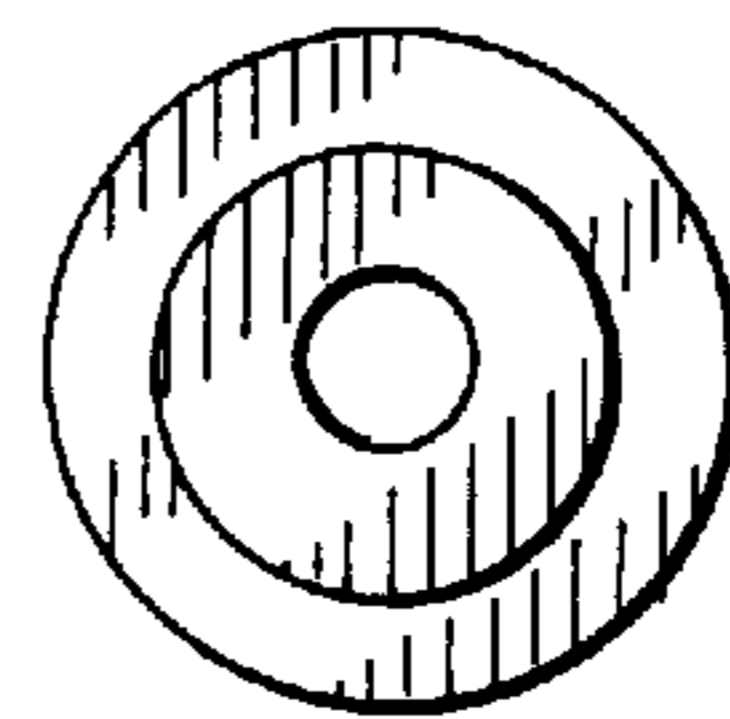


Fig. 9.

