



US00D407791S

**United States Patent** [19]  
**Ohmura**

[11] **Patent Number: Des. 407,791**

[45] **Date of Patent: \*\*Apr. 6, 1999**

[54] **ROD END ADAPTER WITH WEIGHT ADJUSTERS FOR A FISHING ROD**

[75] Inventor: **Ryuichi Ohmura**, Shizuoka, Japan

[73] Assignee: **Fuji Kogyo Co., Ltd.**, Shizuoka-ken, Japan

[\*\*] Term: **14 Years**

[21] Appl. No.: **82,705**

[22] Filed: **Jan. 5, 1998**

[30] **Foreign Application Priority Data**

Jul. 4, 1997 [JP] Japan ..... 8-60626

[51] **LOC (6) Cl.** ..... **22-05**

[52] **U.S. Cl.** ..... **D22/142**

[58] **Field of Search** ..... D22/142, 138, D22/139; 43/20, 25, 18.1, 23, 22

[56] **References Cited**

**U.S. PATENT DOCUMENTS**

D. 49,284	6/1916	Schmitt	.....	D22/138
D. 377,385	1/1997	Jennings	.....	D22/138
2,514,950	7/1950	Harrington	.....	43/23
2,565,633	8/1951	Scott	.....	43/23

2,839,864	6/1958	Martin	.....	43/23
3,006,098	10/1961	Harke	.....	43/23
3,216,144	11/1965	Vojinov	.....	43/18.1
3,411,739	11/1968	Barfield	.	
3,803,742	4/1974	Foster	.....	43/23
3,830,006	8/1974	Garbolino	.....	43/23
4,084,343	4/1978	Genovese	.....	43/22
4,467,548	8/1984	Tabor	.....	43/23
4,738,046	4/1988	Fraylick et al.	.....	43/18.1
4,800,668	1/1989	Burrough	.....	43/18.1
5,355,611	10/1994	Dahlberg et al.	.....	43/25

*Primary Examiner*—Doris V. Coles  
*Attorney, Agent, or Firm*—Evenson, McKeown, Edwards & Lenahan, P.L.L.C.

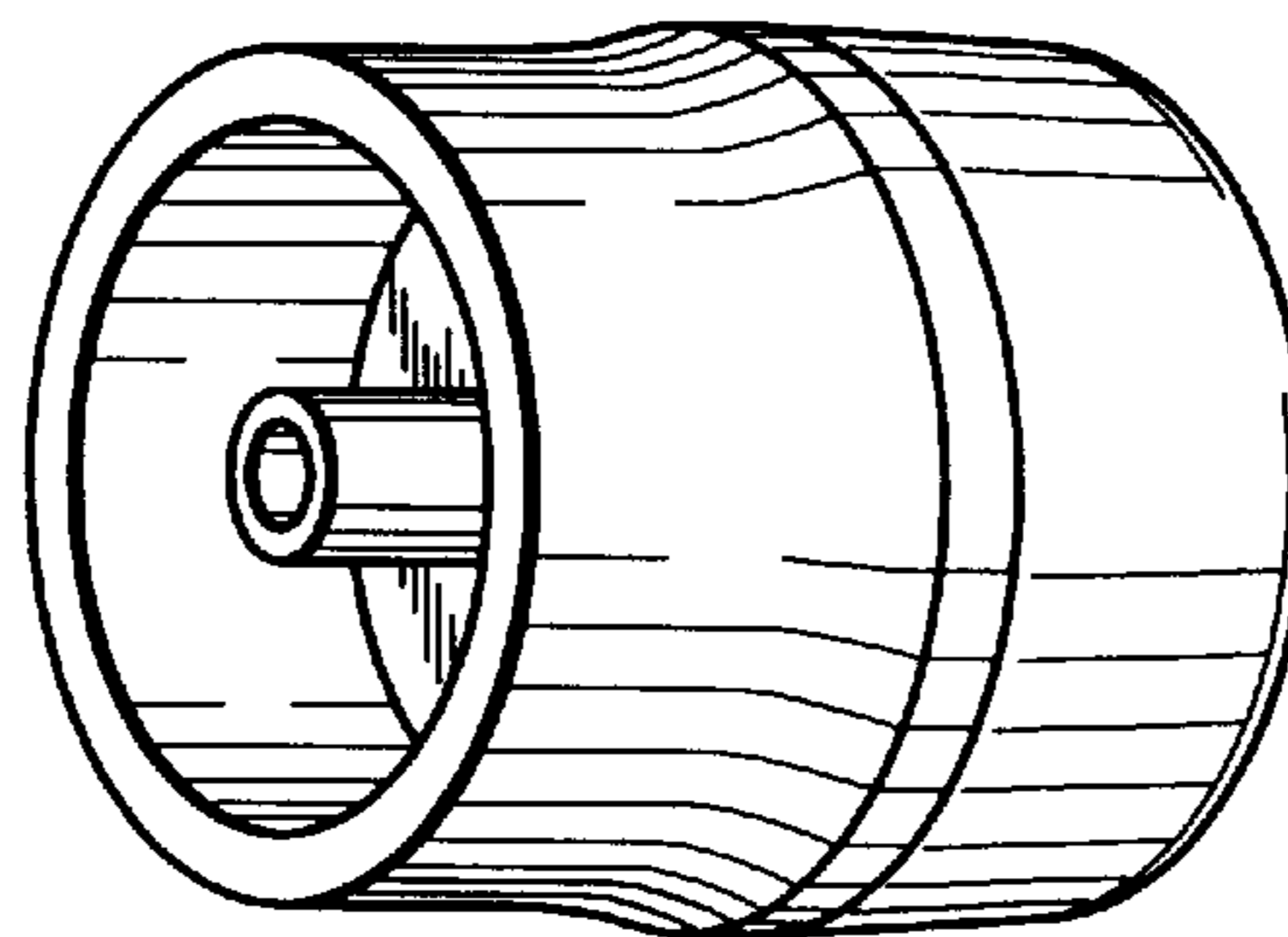
[57] **CLAIM**

The ornamental design for a rod end adapter with weight adjusters for a fishing rod, as shown and described.

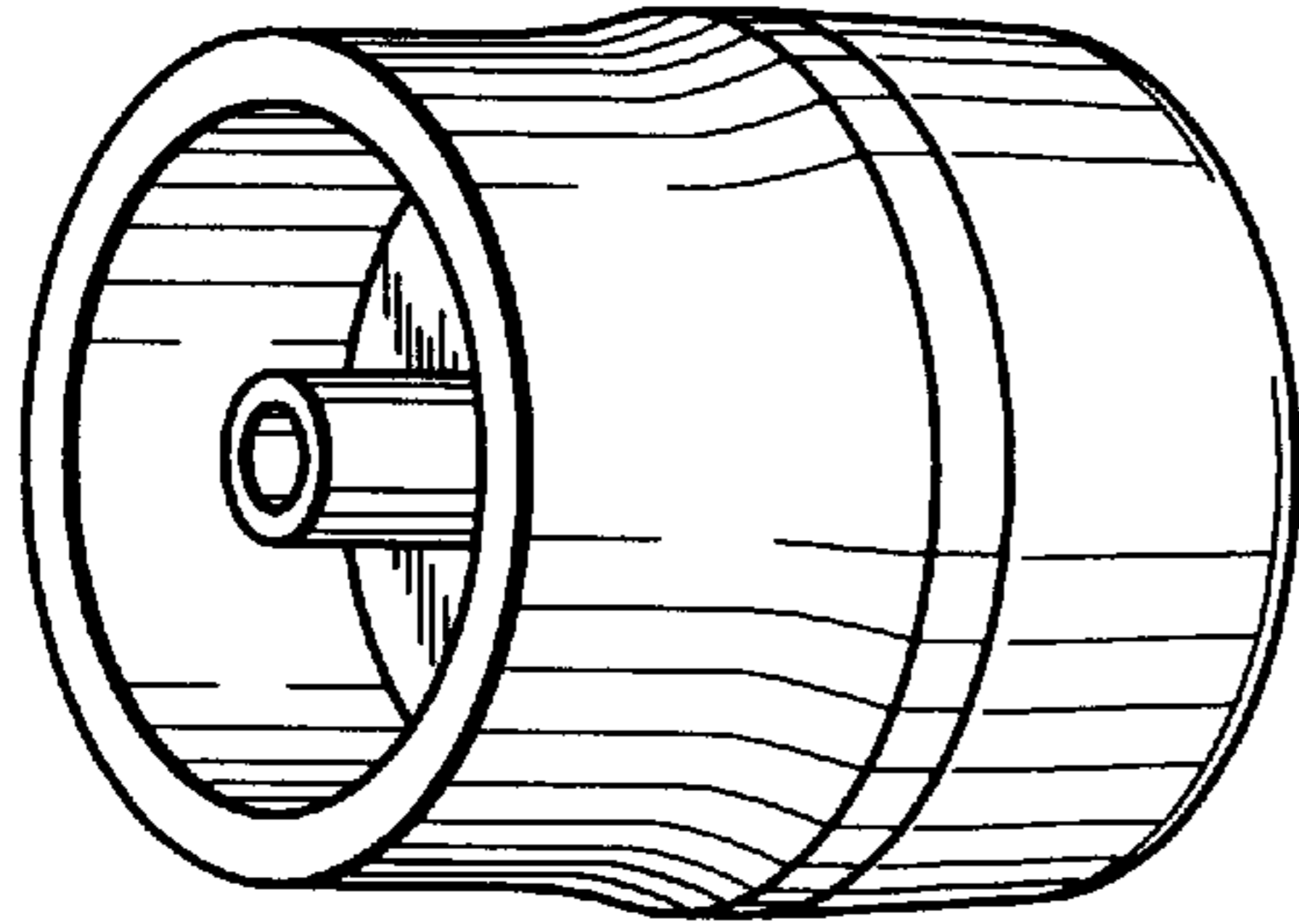
**DESCRIPTION**

FIG. 1 is a perspective view of a rod end adapter with weight adjusters for a fishing rod embodying my new design; FIG. 2 is a front elevational view thereof; FIG. 3 is a top plan view thereof; FIG. 4 is a right side elevational view thereof; and, FIG. 5 is a left side elevational view thereof.

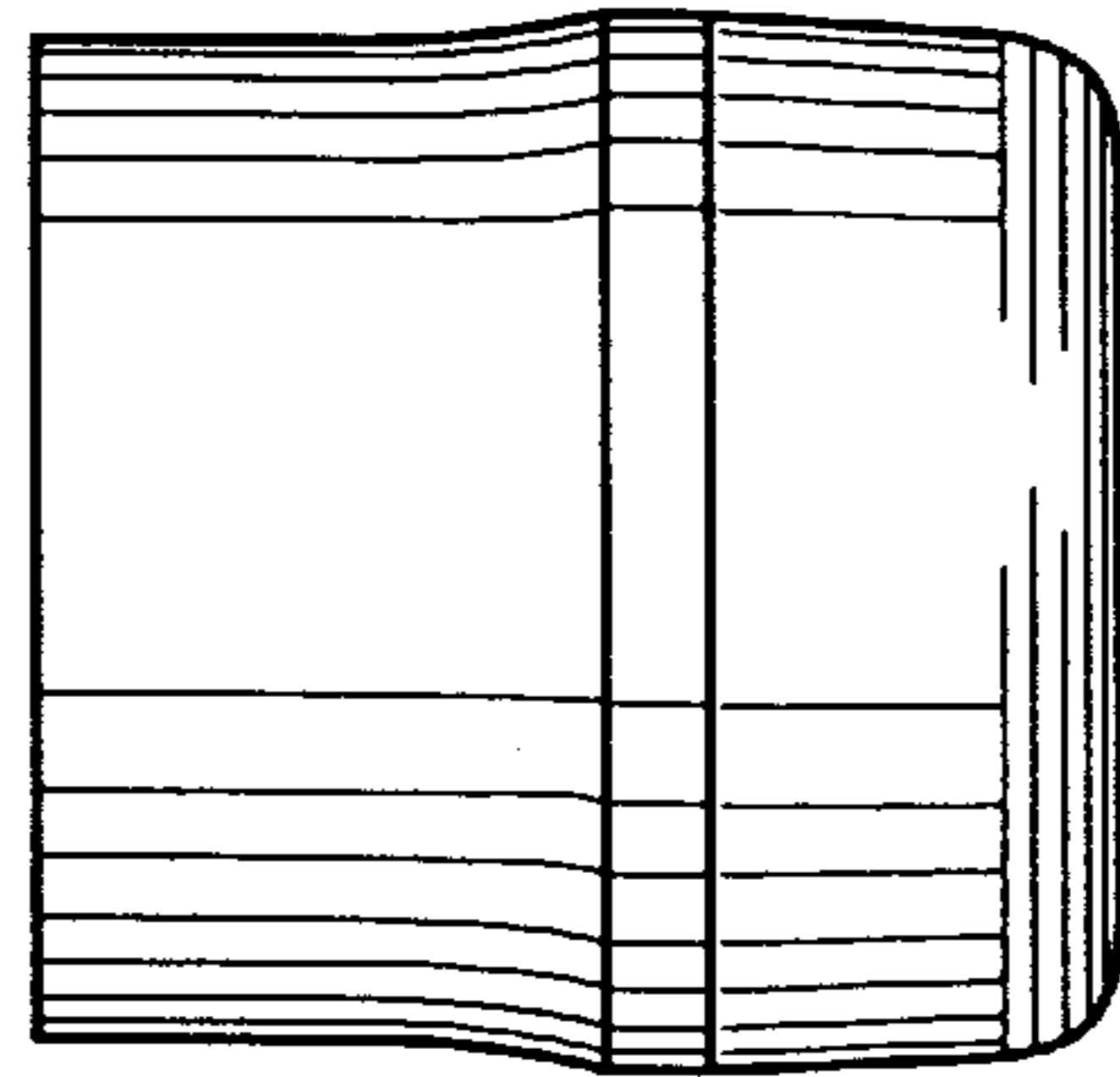
**1 Claim, 1 Drawing Sheet**



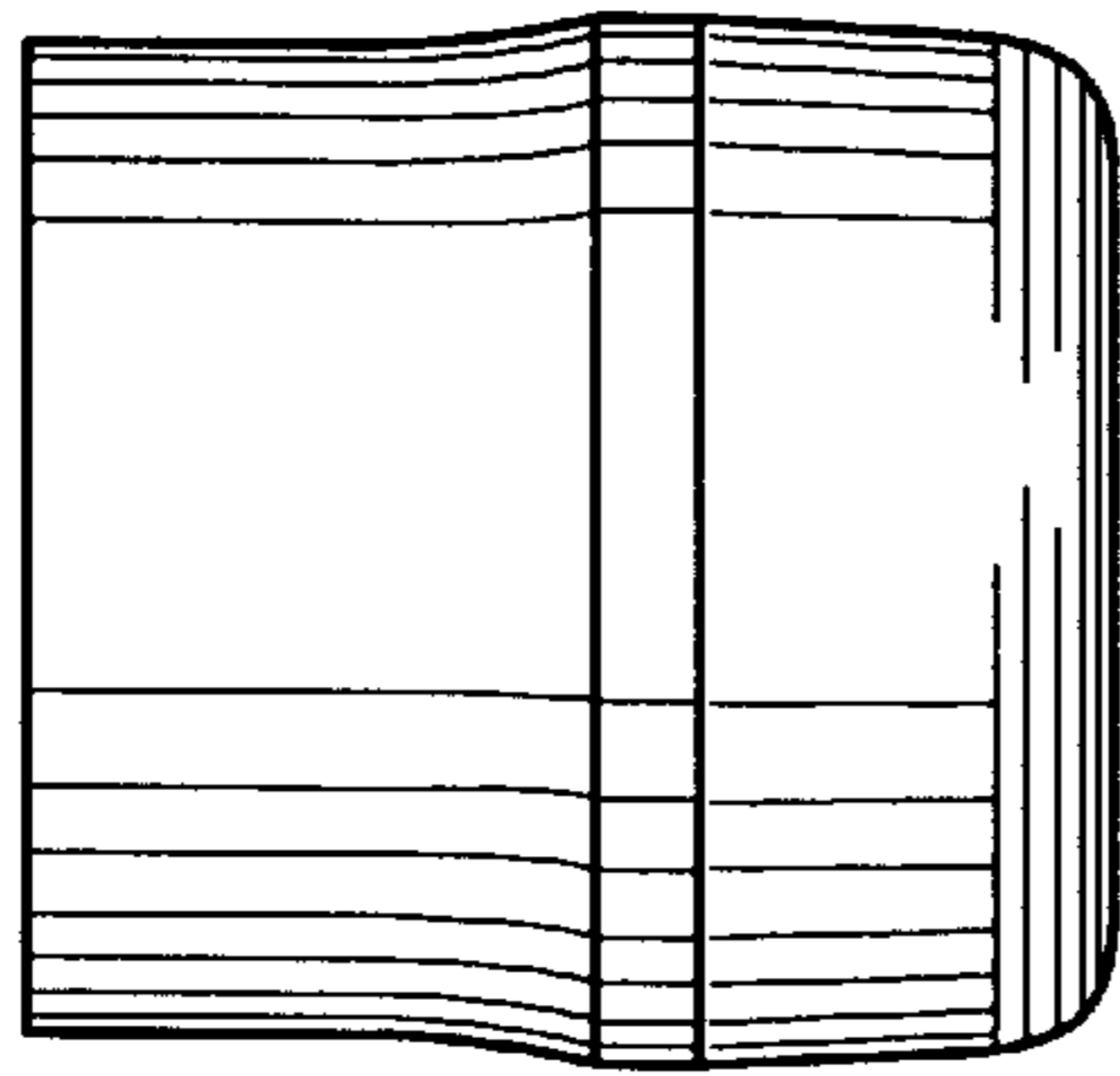
*FIG. 1*



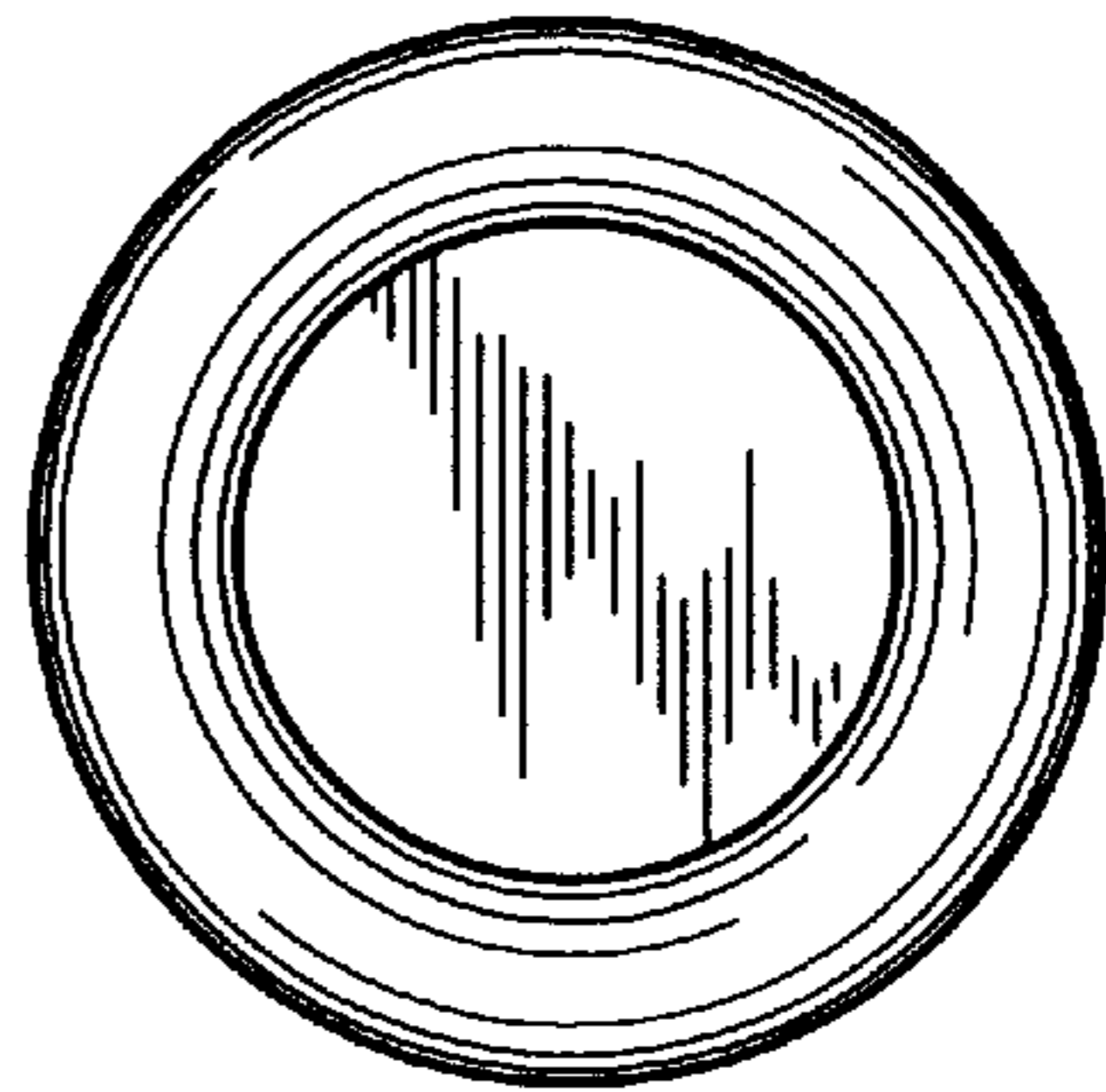
*FIG. 2*



*FIG. 3*



*FIG. 4*



*FIG. 5*

