



US00D407790S

# United States Patent [19] Miceli

[11] **Patent Number: Des. 407,790**

[45] **Date of Patent: \*\*Apr. 6, 1999**

[54] **FLY SWATTER**

[76] Inventor: **Brenda Miceli**, 3328 Westwood Dr.,  
Rocklin, Calif. 95677

[\*\*] Term: **14 Years**

[21] Appl. No.: **88,334**

[22] Filed: **May 20, 1998**

[51] **LOC (6) Cl. .... 22-06**

[52] **U.S. Cl. .... D22/124**

[58] **Field of Search ..... D22/124; D1/129;  
43/137**

[56] **References Cited**

**U.S. PATENT DOCUMENTS**

D. 116,366	8/1939	Gatch .....	D22/124
D. 167,658	9/1952	Roop .....	43/137
D. 395,535	6/1998	Reichkitzer et al. ....	D1/129
2,736,129	2/1956	Roop .....	D22/124
3,156,194	11/1964	Scott .....	D1/129
4,120,114	10/1978	Little et al. ....	43/137
4,242,828	1/1981	Schurger et al. ....	43/137
4,510,711	4/1985	Bucek .....	D22/124
4,593,489	6/1986	Gott et al. ....	43/137
4,907,367	3/1990	Herman .....	43/137
5,568,367	10/1996	Wadsworth .....	43/137

**OTHER PUBLICATIONS**

Bakers Review, Mar. 1952, p. 77.  
Institutions Magazine, Apr. 1966, p. 71.

*Primary Examiner*—Doris V. Coles  
*Attorney, Agent, or Firm*—Heisler & Associates

[57] **CLAIM**

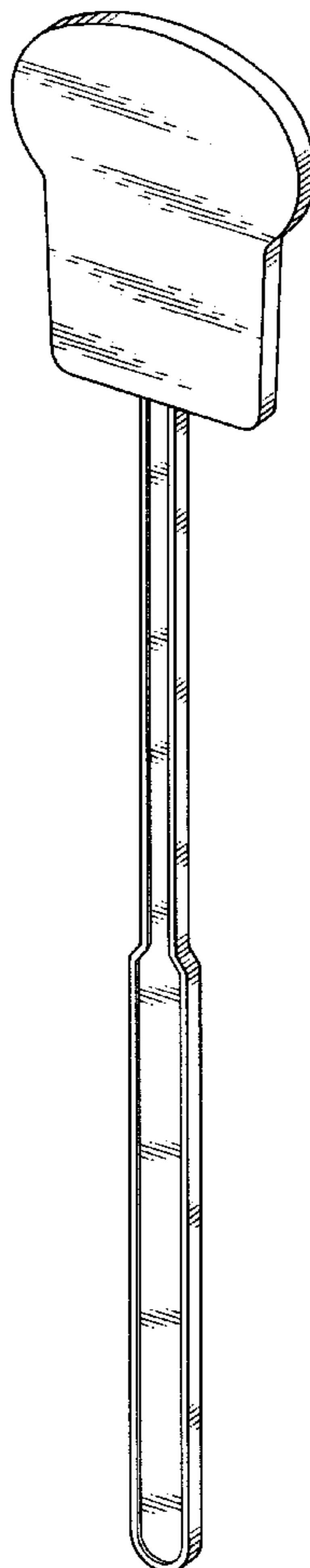
The ornamental design for a fly swatter, as shown and described.

**DESCRIPTION**

FIG. 1 is a front elevational view of a fly swatter, showing my new design, the rear being a mirror image thereof; FIG. 2 is another front elevational view thereof; FIG. 3 is a left side elevational view, the right side being a mirror image thereof; FIG. 4 is another left side elevational view thereof; FIG. 5 is a top plan view thereof; FIG. 6 is another top plan view thereof; FIG. 7 is a bottom plan view thereof; FIG. 8 is another bottom plan view thereof; FIG. 9 is a perspective view thereof; and, FIG. 10 is another perspective view thereof.

The broken line showing of a toaster-shaped cover in FIGS. 2, 4, 6, 8 and 10 is for illustrative purposes only and forms no part of claimed design.

**1 Claim, 2 Drawing Sheets**



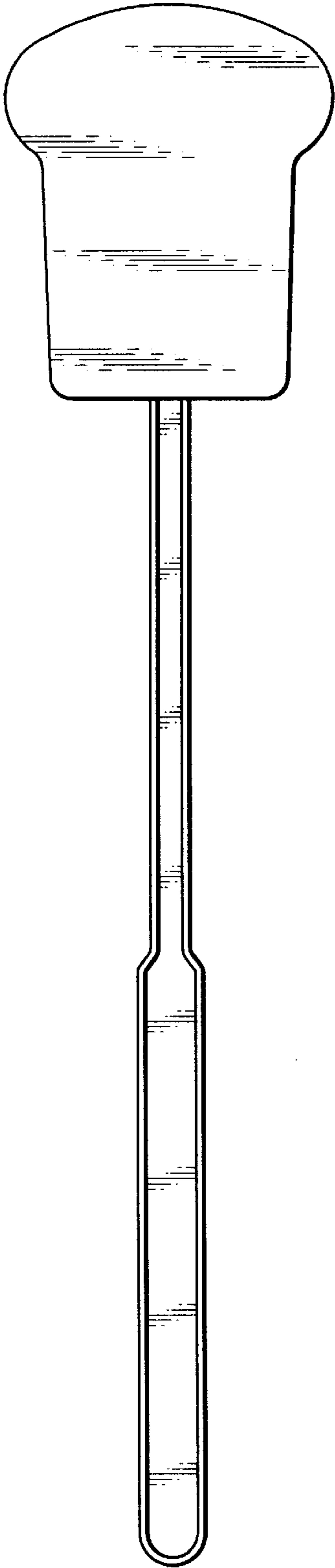


Fig. 1

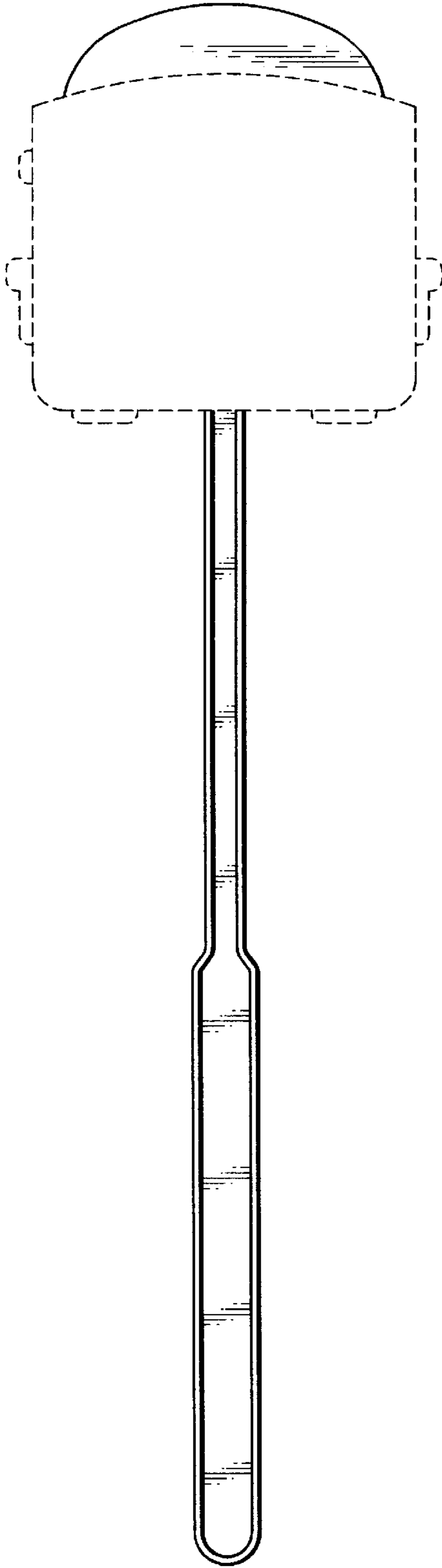


Fig. 2



Fig. 3



Fig. 4



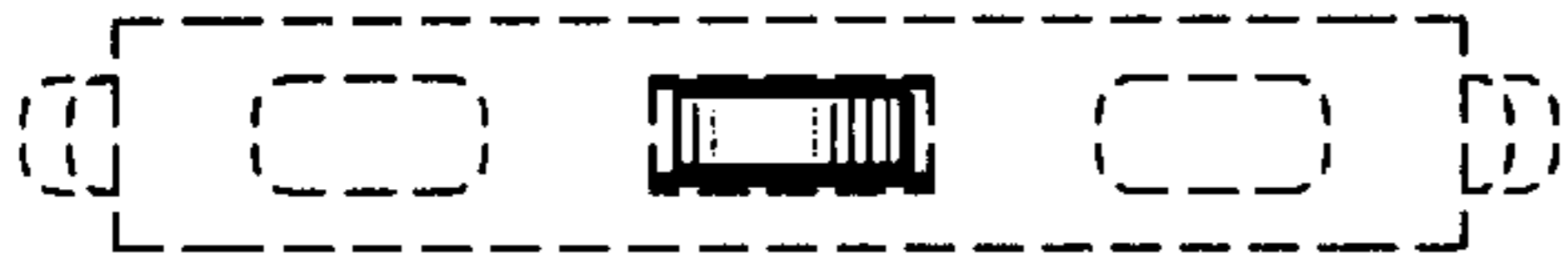
*Fig. 5*



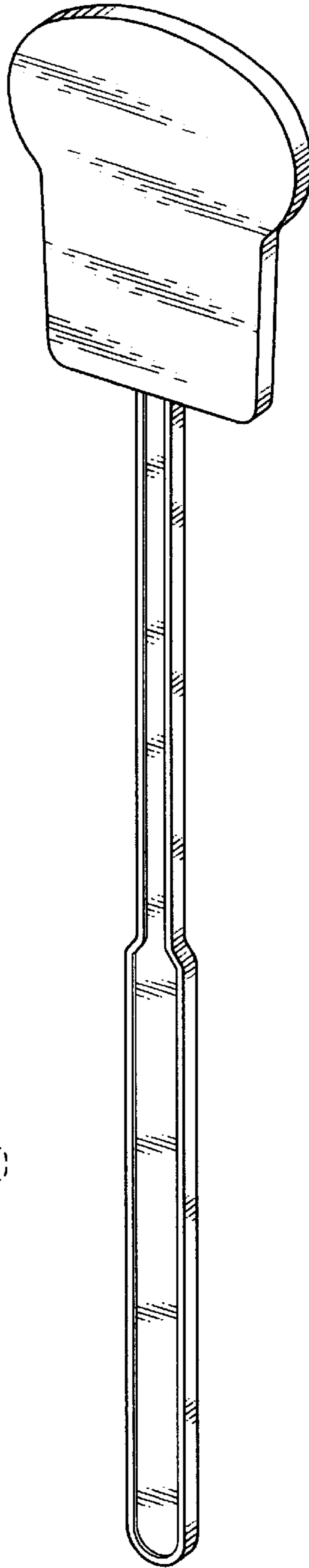
*Fig. 6*



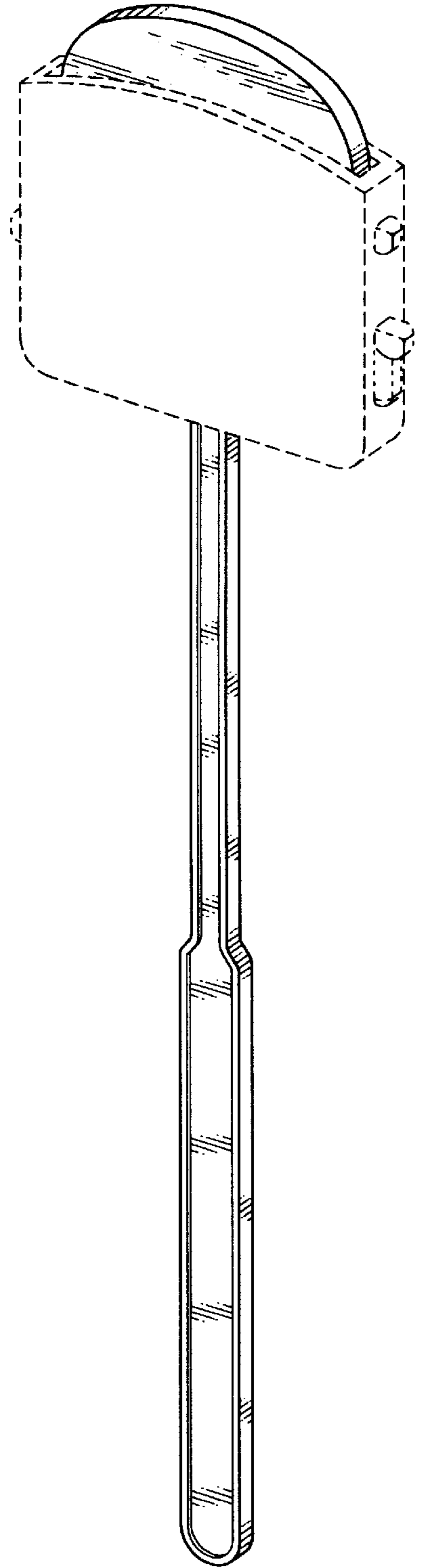
*Fig. 7*



*Fig. 8*



*Fig. 9*



*Fig. 10*